

*For Residential and Commercial Applications*

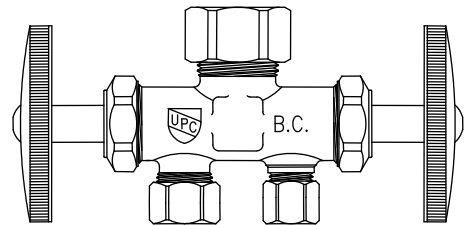
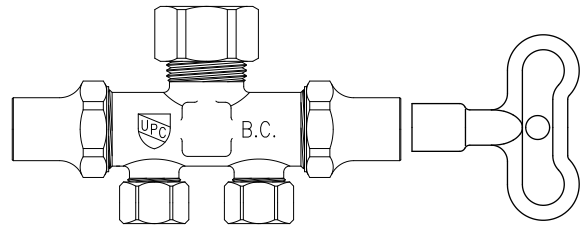
Job Name		Engineer / Architect	
Job Location		Wholesaler	
Submittal Date		Contractor	

## CR1900DVS & CR1901DVS Multi-Turn Straight Stop Dual Outlet, Dual Shut-off - Compression Inlet

**Use:** For use with water in accessible locations only. Not intended for recirculating systems that produce continuous use temperatures above 115° F. For those applications, use our KT™ series supply kits.

**Design Features:**

- **Independent flow control.** Dual outlet, dual shut-off operation permits you to shut-off water flow to one fixture while maintaining water flow to another fixture
- **Code approved replacement** where separate shut-offs are required for two lines
- **Straight inlet to outlet design** (same-side outlets) is great for installations in tight spaces
- **Machined one-piece brass body** provides strength, durability, and long-lasting performance
- **Knurled oval handle** provides a secure grip and smooth on/off operation
- **Easy-to-remove handle** with screw attachment protects accidental stop operation during rough-ins
- **100% compliant product** available



**Operating Specifications:**

**Temperature:** 40°- 140° F  
**Pressure:** 125 PSI maximum

**Standard**

STOP MATERIAL SPECIFICATIONS	
<b>Body</b>	Brass
<b>Stems</b>	POM or brass
<b>Bib &amp; Packing Washers</b>	Nitrile rubber
<b>Packing Nut</b>	Brass
<b>Handle</b>	Plated metal
<b>Handle Screw</b>	Zinc-plated steel
<b>Compression Sleeve</b>	Brass
<b>Compression Nut</b>	Brass

**Compliant**

STOP MATERIAL SPECIFICATIONS	
<b>Body</b>	Brass
<b>Stem</b>	POM
<b>Bib &amp; Packing Washers</b>	Nitrile rubber
<b>Packing Nut</b>	Brass
<b>Handle</b>	Plated metal
<b>Handle Screw</b>	Zinc-plated steel
<b>Compression Sleeve</b>	Brass
<b>Compression Nut</b>	Brass

<b>Loose Key Stem</b>	Brass
<b>Loose Key</b>	Zinc, die-cast

*This specification and all information contained herein is the confidential and exclusive property of BrassCraft Manufacturing, and shall not be disclosed to others without the written consent of BrassCraft Mfg. This specification must be returned to BrassCraft Mfg if requested.*



# CR1900DVS & CR1901DVS Multi-Turn Dual Outlet, Dual Shut-off Straight Stop - Compression Inlet

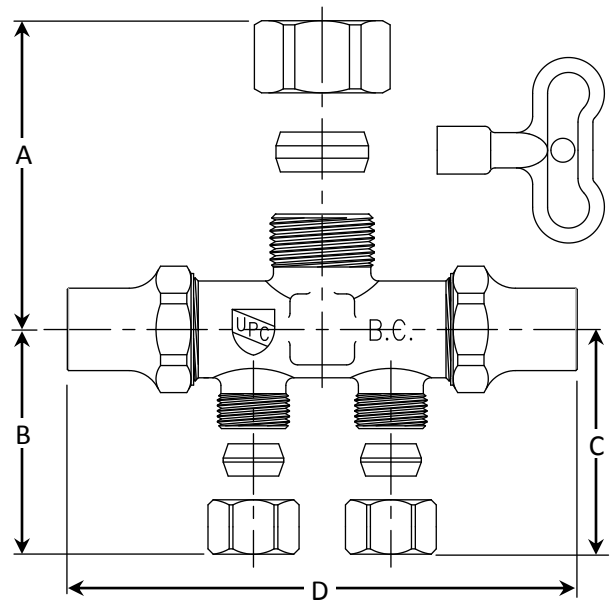
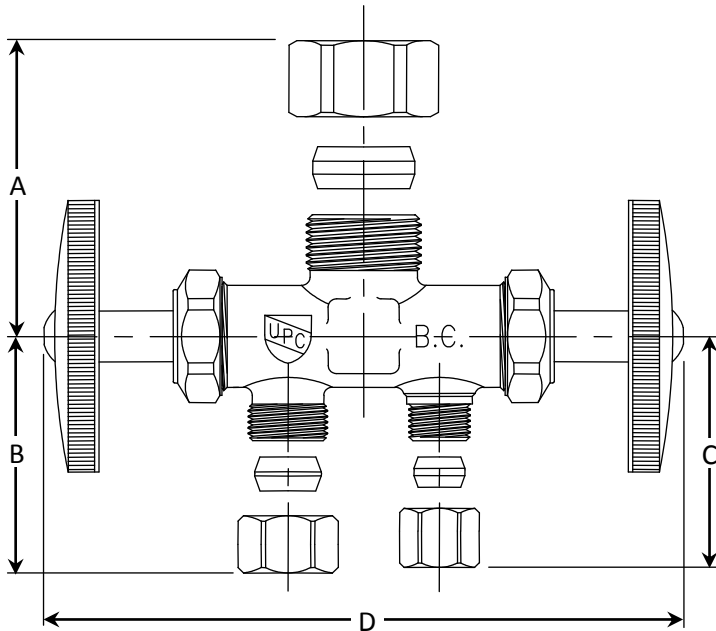
**Standard Part Listing:**

- CR1900DVS R 1/2" nom compression x 3/8" OD compression x 1/4" OD compression, rough brass
- CR1900DVSZ R 1/2" nom compression x 3/8" OD compression x 1/4" OD compression, brass stem, chrome plated
- CR1901DVS C 1/2" nom compression x 3/8" OD compression x 3/8" OD compression, chrome plated
- CR1901DVS R 1/2" nom compression x 3/8" OD compression x 3/8" OD compression, rough brass
- SCR1901DVS R 1/2" nom compression x 3/8" OD compression x 3/8" OD compression, rough brass, loose key

**Compliant Part Listing:**

- CR1900DVSX R 1/2" nom compression x 3/8" OD compression x 1/4" OD compression, rough brass
- CR1901DVSX C 1/2" nom compression x 3/8" OD compression x 3/8" OD compression, chrome plated
- CR1901DVSX R 1/2" nom compression x 3/8" OD compression x 3/8" OD compression, rough brass

PART DIMENSIONS (Inches)				
Model	DIM. A	DIM. B	DIM. C	DIM. D
CR1900DVS	1.17	1.06	1.06	4.30
CR1900DVSZ	1.17	1.06	1.06	4.30
CR1901DVS	1.25	1.00	1.00	4.30
SCR1901DVS	1.25	1.00	1.00	3.95



**Listings & Certifications:**

- IAPMO listed to ASME A112.18.1 / CSA B125.1 (File # 0645)
- CSA listed to ASME A112.18.1 / CSA B125.1 (File # 204593)
- Compliant product CSA listed to Low Lead Content Certification Program – Plumbing Products Class 6853-01



*This specification and all information contained herein is the confidential and exclusive property of BrassCraft Manufacturing, and shall not be disclosed to others without the written consent of BrassCraft Mfg. This specification must be returned to BrassCraft Mfg if requested.*

**BrassCraft®**