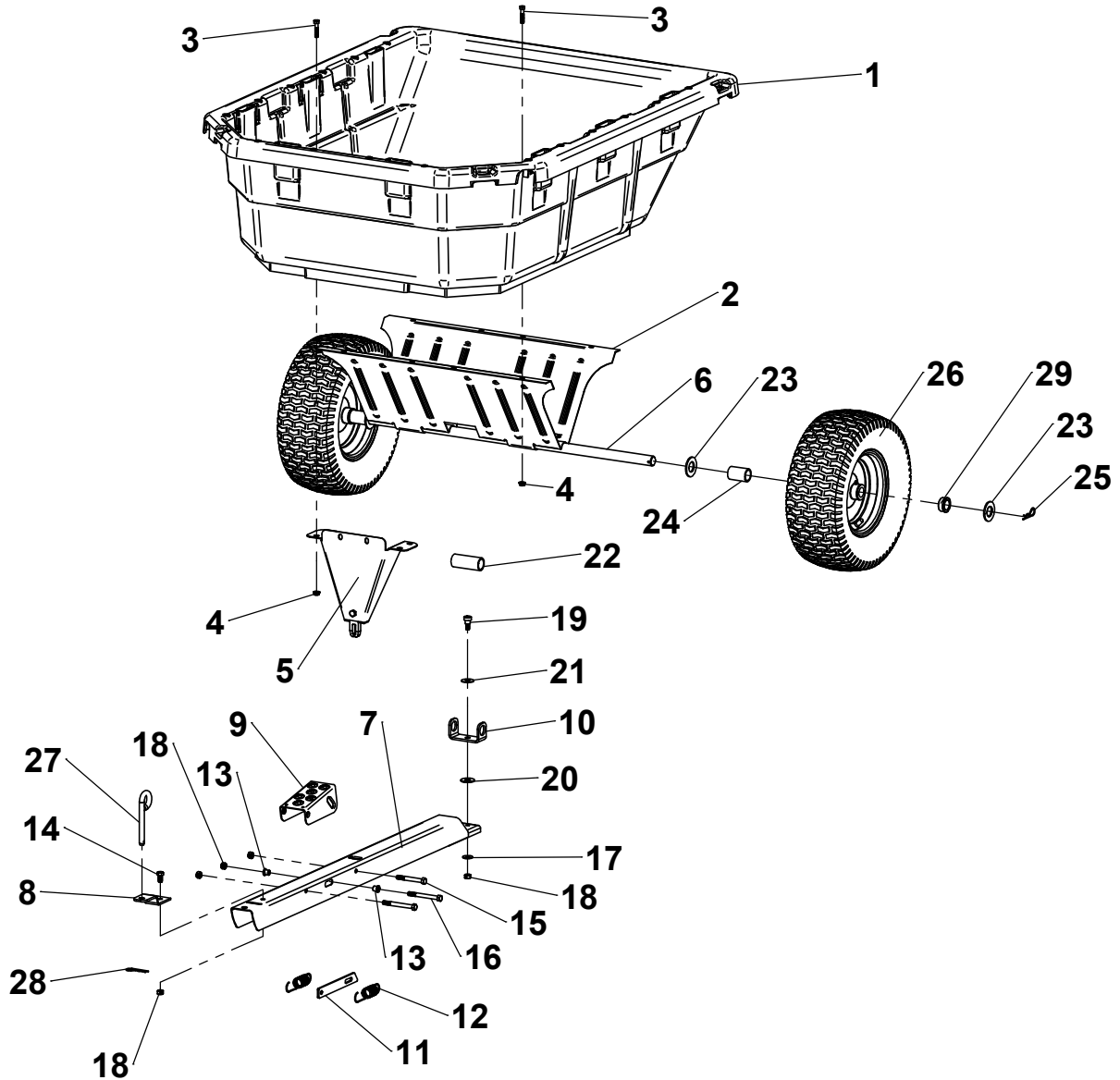


# Repair Parts



ITEM	PART NO	DESCRIPTION	QTY	ITEM	PART NO	DESCRIPTION	QTY
1	<a href="#">311161</a>	POLY BODY	1	16		HEX BOLT, 3/18-16 X 3-1/2"	2
2	<a href="#">6000404-B2</a>	UNDERCARRIAGE	1	17		3/8" USS WASHER	1
3	<a href="#">KIT 6004321</a>	HEX BOLT, 5/16-18 X 1-1/2"	12	18	<a href="#">KIT 60003T5-BG</a>	HEX NUT, 3/8-16 C-LOCK	5
4	<a href="#">6004321</a>	SPINNER-GRIP NUT, 5/16-18	12	19		SHOULDER BOLT, 1/2" X 3/8"	1
5	<a href="#">6000310-B2</a>	FRONT SUPPORT	1	20		1/2" USS WASHER	1
6	<a href="#">300002</a>	AXLE	1	21		SPRING WASHER	1
7		WELDED DRAWBAR	1	22		3-1/8" SPACER	1
8		HITCH BRACKET	1	23	<a href="#">KIT 6004324</a>	1" SAE FLAT WASHER	4
9		FOOT PEDAL	1	24		2" SPACER	2
10		SWIVEL CLEVIS	1	25		HAIRPIN COTTER, 2-5/16"	2
11	<a href="#">KIT 60003T5-BG</a>	SWIVEL DUMP LATCH	1	26	<a href="#">6001774</a>	WHEEL	2
12		LATCH SPRING	2	27	<a href="#">KIT 6000770</a>	HITCH PIN, 1/2" X 3"	1
13		FOOT PEDAL BUSHING	2	28		HAIRPIN COTTER, 2-5/16"	1
14		HEX BOLT, 3/18-16 X 3/4"	1	29	<a href="#">KIT 6000810</a>	REPLACEMENT BUSHINGS (SET OF 4)	-
15		HEX BOLT, 3/18-16 X 3"	1				