

**60" x 32" PASSAGE™ SHOWER BASE**

- A8011T-LHO PASSAGE SHOWER BASE**  
Left Hand Drain
- A8011T-RHO PASSAGE SHOWER BASE**  
Right Hand Drain

**Features:**

- Durable acrylic with fiberglass reinforced construction
- Low 2-1/4" threshold height
- Unique and pleasing geometric shape
- Deck platform creates distinct showering and storage spaces
- Integral three-sided, tiling/water retention flange
- End drain outlet
- Textured floor helps prevent slips and falls
- Shower drain not included
- Limited Lifetime warranty

**Nominal Dimensions:**

60" x 32" x 2-1/4"  
(1524 x 813 x 57mm)

**Compliance Certifications -**

**Meets or Exceeds the Following Specifications:**

- CSA B45.5 / IAPMO Z124



**A8011T-LHO SHOWER BASE**  
Left Hand Drain



**A8011T-RHO SHOWER BASE**  
Right Hand Drain

SEE NEXT PAGE FOR ROUGHING-IN DIMENSIONS  
AND PRODUCT SPECIFICATIONS

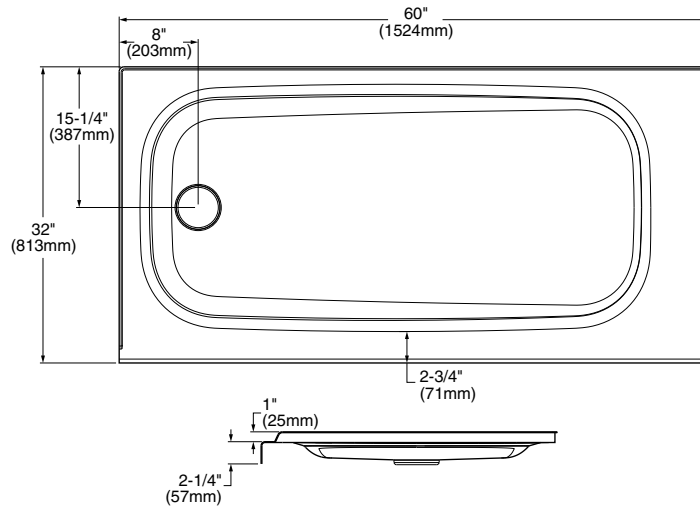
**To Be Specified - Required:**

- Drain: 751819-XXX (specify finish)
- Color: .020 White

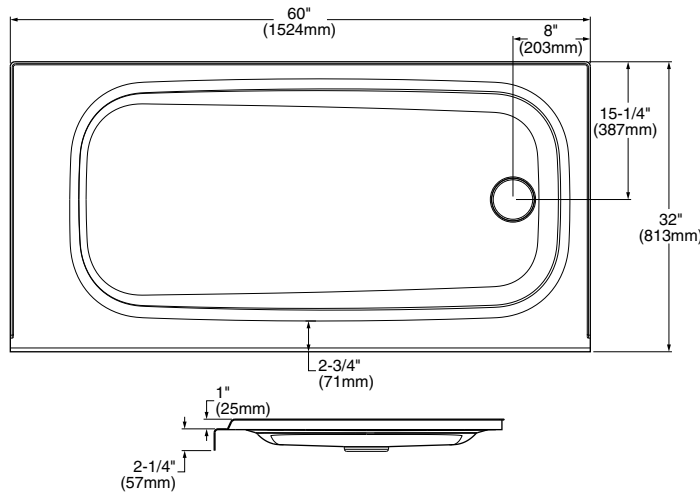
**To Be Specified - Optional:**

- Shower Walls: P2971SWT.XXX
- Shower Door: AM801703400.213 Frameless shower door with Easy-to-Clean clear glass

A8011T-LHO



A8011T-RHO



**GENERAL SPECIFICATIONS FOR A8011T BASE**

INSTALLED SIZE	60 x 32 x 2-1/4 In. (1524 x 813 x 57mm)
WEIGHT	47.5 Lbs. (21.5 Kg)
SHOWER WELL AT SUMP	46-13/16 x 21-1/4 In. (1190 x 539mm)
SHOWER WELL AT RIM	51-3/4 x 27-1/8 In. (1314 x 691mm)
PTS.	1.92
CUBE (FT <sup>3</sup> )	5.27

**NOTES:**

REFER TO INSTALLATION INSTRUCTIONS SUPPLIED WITH PRODUCT FOR ADDITIONAL INFORMATION.

FITTINGS NOT INCLUDED AND MUST BE ORDERED SEPARATELY.

PROVIDE SUITABLE REINFORCEMENT FOR ALL SUPPORTS.

**IMPORTANT:** Dimensions of fixtures are nominal and may vary within the range of tolerances established by ANSI Standard Z124. These measurements are subject to change or cancellation. No responsibility is assumed for use of superseded or voided leaflet.