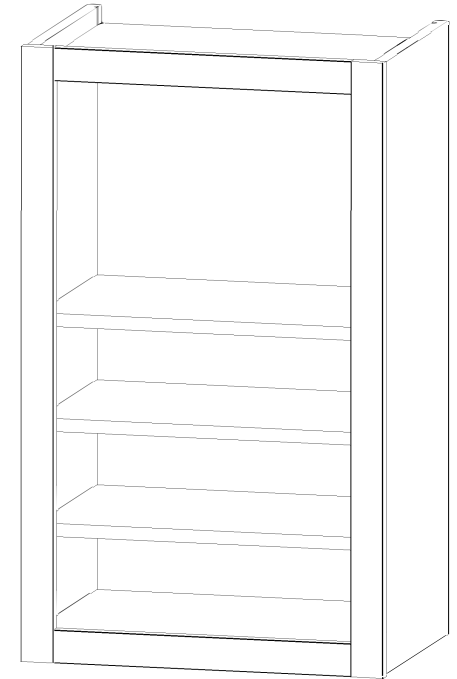
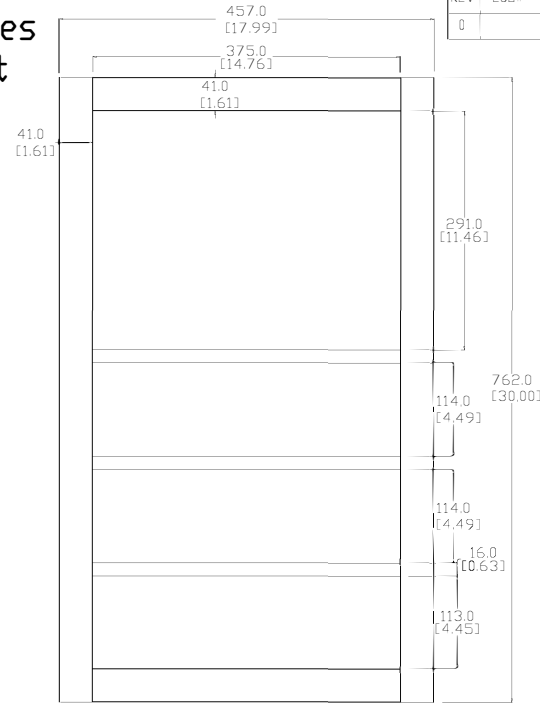


ITEM ID	Shelf Thickness [in] mm	Depth [in] mm	*X*
BT1830X-RC	[.63] 16	[12.56] 319	
BT1830X-WH	[.63] 16	[12.4] 315	
CM1830X-DK	[.63] 16	[12.56] 319	
CM1830X-WH	[.59] 15	[12.4] 315	
CM1830X-KG	[.63] 16	[12.4] 315	

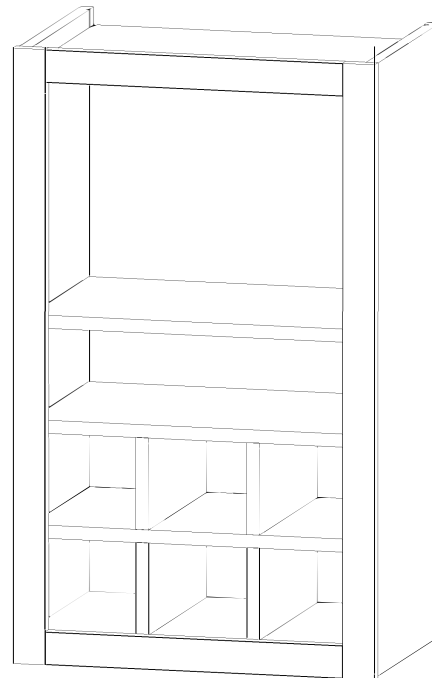
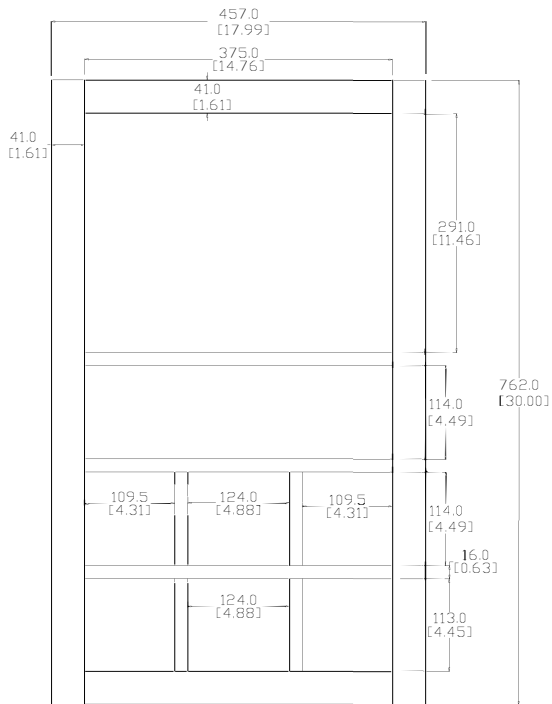
Description					
Kitchen Flex Horizontal Cabinet					
REV	ECD#	Description	REV'D BY DATE	CHK'D BY DATE	APRV'D BY DATE
0		Released			CR Nov. 20, 2017

Open Shelves
Front View



Open Shelves
Isometric
View

Organizer Cubes
Front View

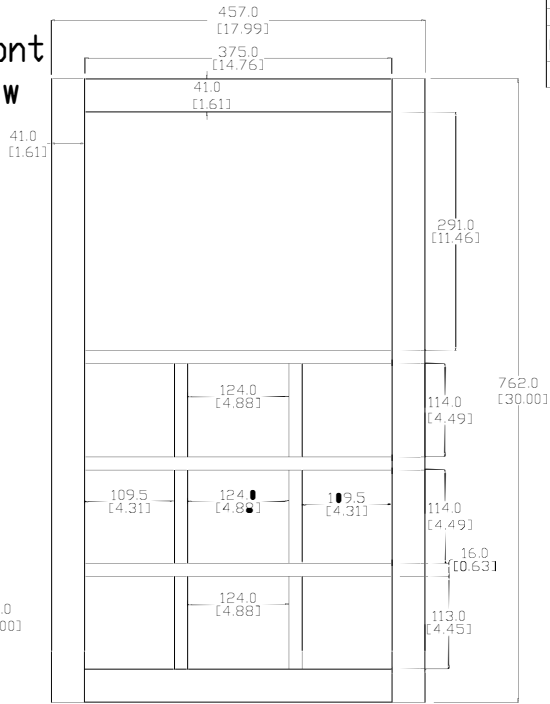


Organizer Cubes
Isometric View

DRAWN	NAME	SIGNATURE	DATE	MATERIAL
CHECKED	Carlos Reyes			
APPROVED	Dagoberto Róz			
	Alexandro Hoopo			
MFG	Carlos Gomez			WEIGHT:
PROPRIETARY AND CONFIDENTIAL THE INFORMATION CONTAINED IN THIS DRAWING IS THE SOLE PROPERTY OF WOODCRAFTERS. ANY REPRODUCTION IN PART OR AS A WHOLE WITHOUT THE WRITTEN PERMISSION OF WOODCRAFTERS IS PROHIBITED.		UNLESS OTHERWISE SPECIFIED DIMENSIONS ARE IN MM AND [INCHES] TOLERANCES ARE +/- 1 [0.04]		Vertical Flex Cab. AI SCALE: SHEET 2 OF 2

ITEM ID	Shelf Thickness [in] mm	Depth "X" [in] mm
BT1830X-RC	[.63] 16	[12.56] 319
BT1830X-WH	[.63] 16	[12.4] 315
CM1830X-DK	[.63] 16	[12.56] 319
CM1830X-WH	[.59] 15	[12.4] 315
CM1830X-KG	[.63] 16	[12.4] 315

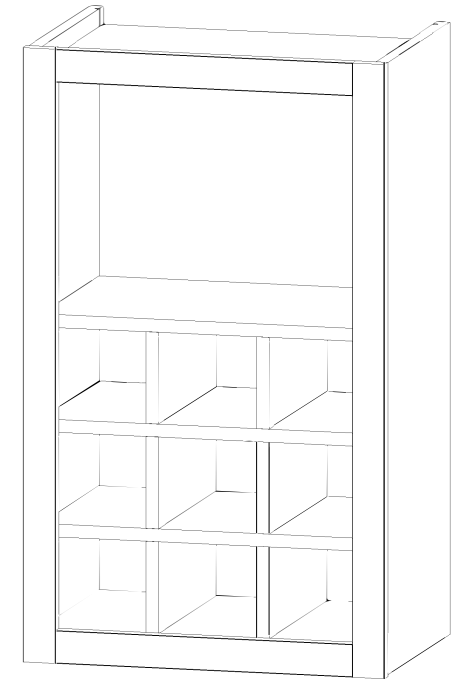
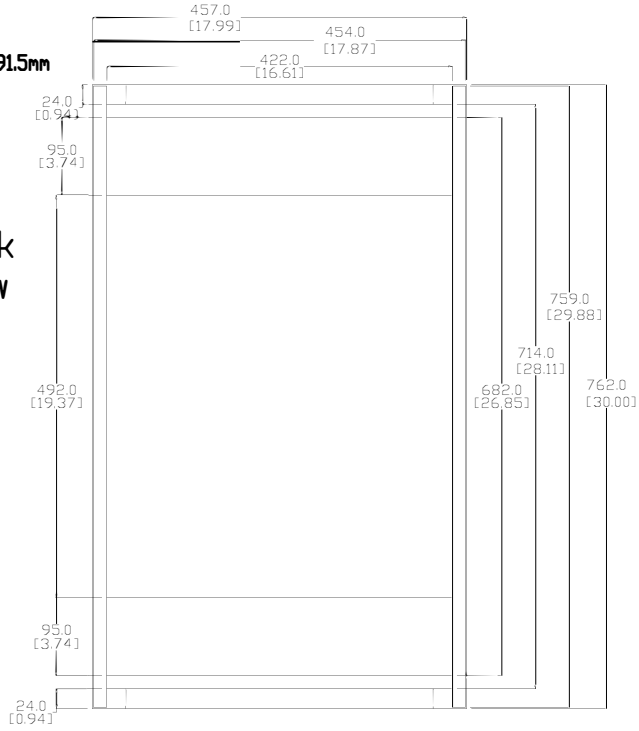
Front View



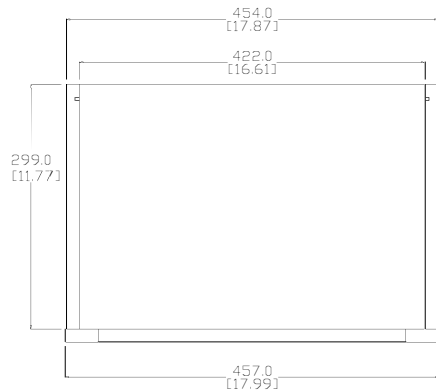
Description					
Kitchen Flex Horizontal Cabinet					
REV	ECO#	Description	REV'D BY DATE	CHK'D BY DATE	APRV'D BY DATE
0		Released			CR Nov. 20, 2017

Backing
431.5x691.5mm

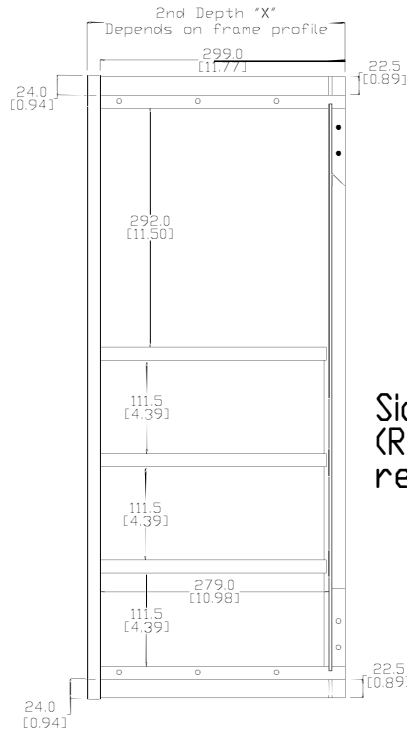
Back View



Isometric View



Top View



Side View
(Right panel removed)

DRAWN	NAME	SIGNATURE	DATE	MATERIAL:
CHECKED	Carlos Reyes			
APPROVED	Dagoberto Róz			
MFG	Alexandro Hoopo			
	Carlos Gomez			WEIGHT:
PROPRIETARY AND CONFIDENTIAL THE INFORMATION CONTAINED IN THIS DRAWING IS THE SOLE PROPERTY OF WOODCRAFTERS. ANY REPRODUCTION IN PART OR AS A WHOLE WITHOUT THE WRITTEN PERMISSION OF WOODCRAFTERS IS PROHIBITED.		UNLESS OTHERWISE SPECIFIED DIMENSIONS ARE IN MM AND [INCHES] TOLERANCES ARE +/- 1 [0.04]		Vertical Flex Cab. AI SCALE: SHEET 1 OF 2