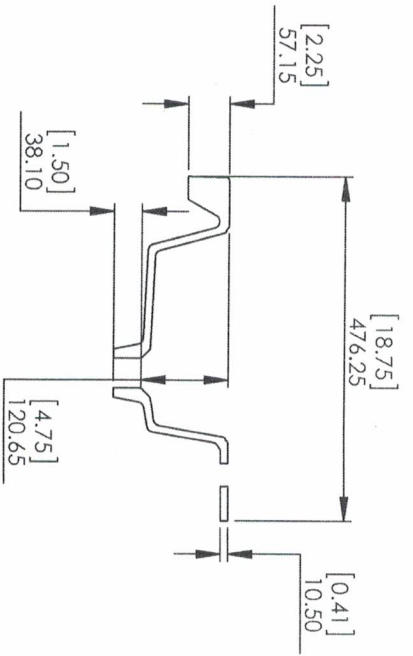
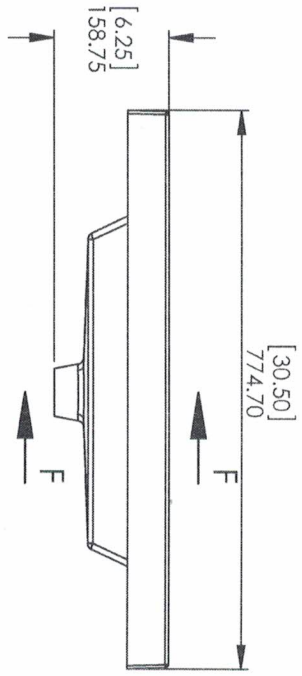
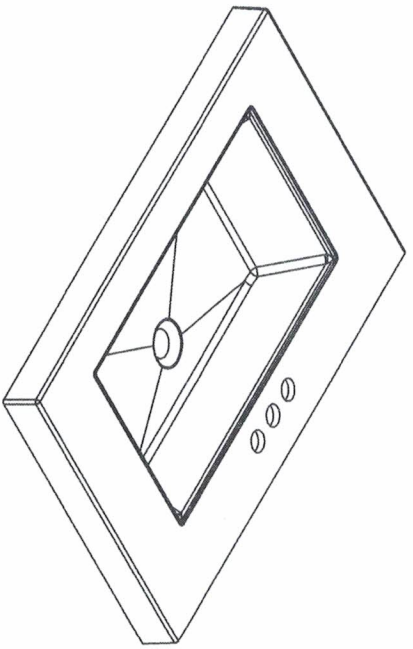
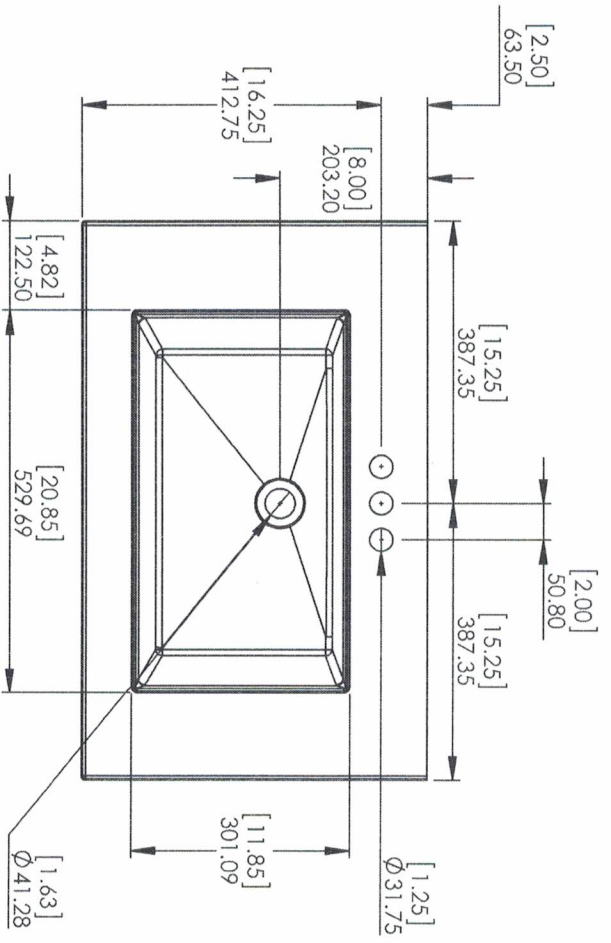


ID	Description	Technology	Status
595471	Vtop Oslo 30.5x18.75 White 4in	Solid White	Approved for production

Rev #	Approved by	Change
0	R. Rubio	Released



NOTE: MAX. WARPAGE
TOLERANCE 1/8"

PROPRIETARY AND CONFIDENTIAL

THE INFORMATION CONTAINED IN THIS DRAWING IS THE
SOLE PROPERTY OF WOODCRAFTERS. ANY
REPRODUCTION IN PART OR AS A WHOLE WITHOUT THE
WRITTEN PERMISSION OF WOODCRAFTERS IS PROHIBITED.

UNLESS OTHERWISE SPECIFIED
DIMENSIONS ARE IN MM.
AND INCHES

TOLERANCE ARE
+0.125 (-0.125) (-0.125) (-0.125)
SCALE: 1:10

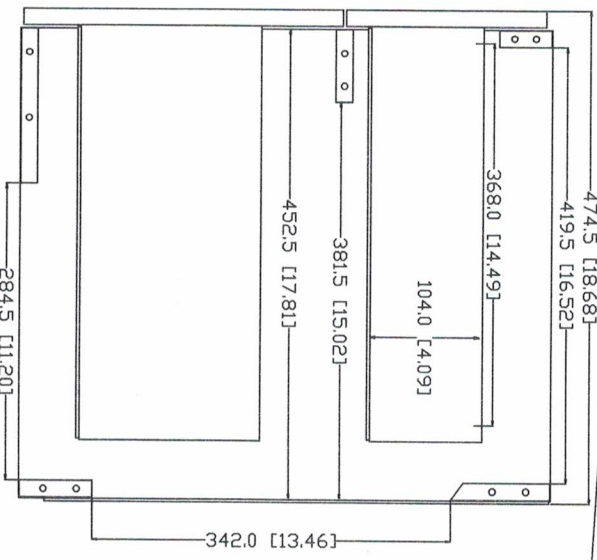
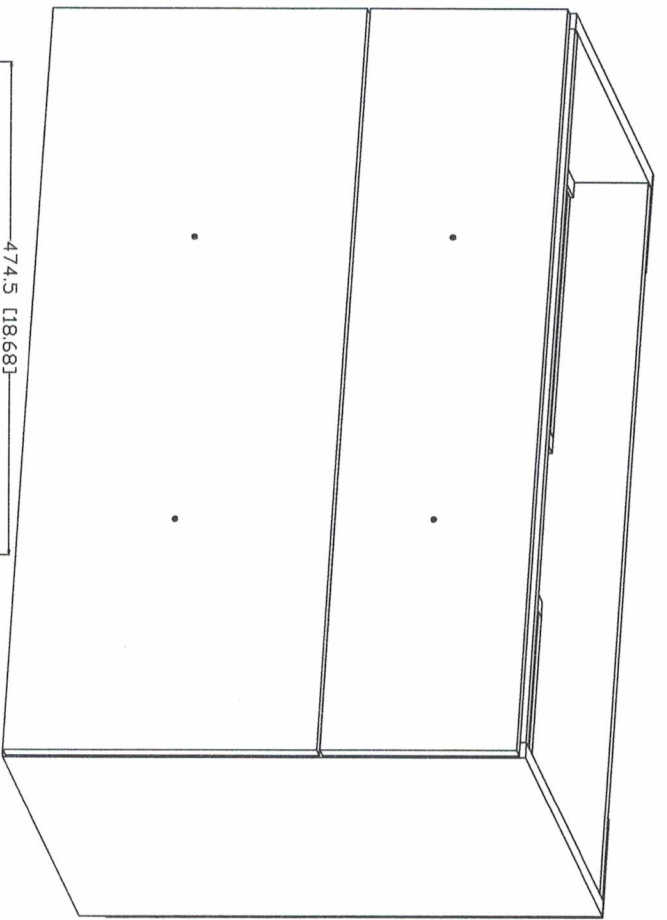
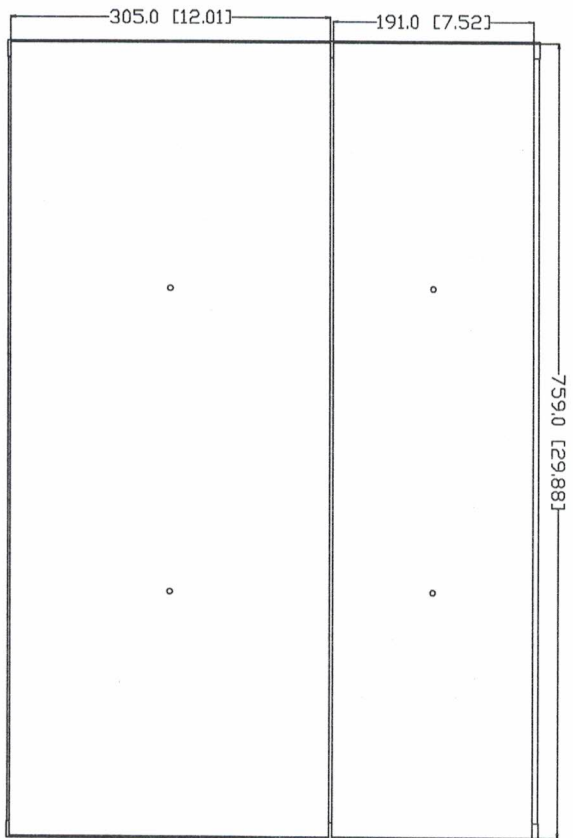
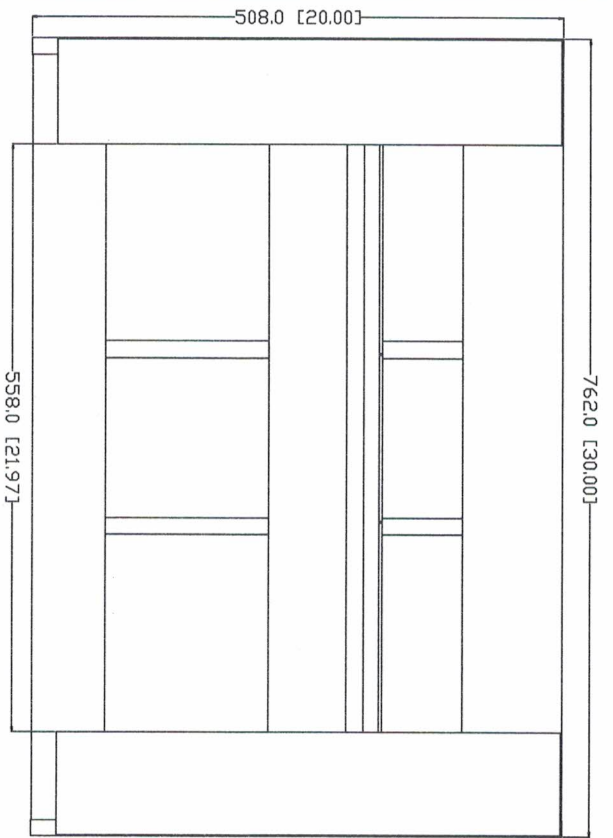
DRAWN	CHECKED	ENG APPR	MFG APPR	NAME	DATE
J. Morfraz	E. Sandovall	R. Rubio	C. Leal		7/08/16
					7/08/16
					7/08/16



SEE DWG. NO.
Vtop Oslo 30.5x18.75 4in

SHEET 1 OF 1
REV. 0

REV	ECD#	DESCRIPTION	APPROV BY
0		Released	CP DATE Nov. 2, 2016



PROPRIETARY AND CONFIDENTIAL
 THE INFORMATION CONTAINED IN THIS DRAWING IS THE
 SOLE PROPERTY OF WOODCRAFTERS HOME PRODUCTS
 LLC. ANY REPRODUCTION IN PART OR AS A WHOLE
 WITHOUT THE WRITTEN PERMISSION OF WOODCRAFTERS
 HOME PRODUCTS LLC IS PROHIBITED.

UNLESS OTHERWISE SPECIFIED
 DIMENSIONS ARE IN mm
 (and fractions)
 AND TOLERANCES ARE
 +/- 1.00(0.1)

DESIGNED BY	CHECKED BY	DATE	TITLE
CONROS REYES	CONROS REYES		LR20P2-EE
CONROS REYES	CONROS REYES		LARISSA
CONROS REYES	CONROS REYES		Elin Ember

SCALE: 1:1 SITE: A PART NO: REV: 0