

KWU110-27

27 Inch Undermount Workstation Single Bowl Stainless Steel Kitchen Sink



SPECIFICATION SHEET

Sink Dimensions

Overall Dimensions: 27" x 19"

Bowl Dimensions: 25" x 16"

Sink Depth: 10"

Features

- 16 Gauge
- Undermount Installation
- Single Bowl Sink
- Required Minimum Cabinet Size: 30"
- Rear Off-Set Drain
- 3 1/2" Drain Opening
- NoiseDefend Undercoating and Sound Dampening Pads

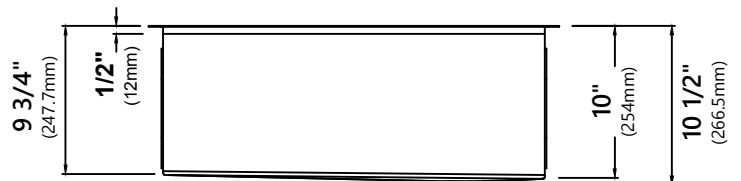
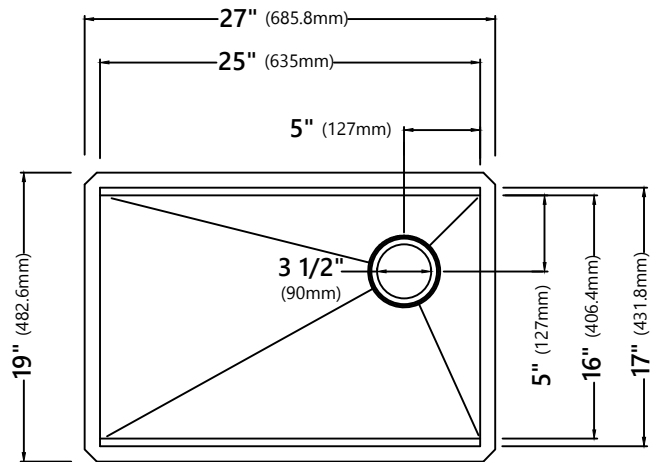
Accessories Included

- Strainer ST-1
- Cover Cap STC-2
- Bottom Grid KBG-UN1-27
- Rolling Mat KRM-11BL
- Cutting board KCB-WS103BB
- Cut-Out Template
- Mounting Hardware

CODES/STANDARDS:

Product Certification

cUPC (ASME A112.19.3/CSA B45.4)



Warranty

Kraus Limited Lifetime Warranty

see website for details www.kraususa.com