



Catalog Number
Notes
Type

Contractor Select™

# CSV T

## Vapor Tight LED Strip Light



These fully-gasketed, wet-location, and code-compliant vapor tights are and IP65 and IP66 rated. They can be surface mounted on the ceiling or wall and are designed for continuous row mounting. The CSV T vapor tights are ideal for outdoor venues, canopies and locker rooms.

### FEATURES:

- The fully gasketed, polycarbonate housing with polycarbonate captive latches provides a water-tight seal and stands up to dust and dirt with its IP65 and IP66 ratings
- Provides the performance you need with the UV-stabilized, high-impact, frosted polycarbonate lens for uniform light output and high impact-resistance
- Quick and simple to install with the snap-lock tool-less access
- Available with Switchable technology



Catalog Number	UPC	Description	Lumens	Wattage	Voltage	Color Temperature	Color Rendering Index
CSV T L48 5000LM MVOLT 40K 80CRI	00194995069408	4' MVOLT Vapor Tight LED Strip Light	4946	42	MVOLT (120-277)	4000K	80CRI
CSV T L48 AL03 MVOLT SWW3 80CRI	00194995069507	4' MVOLT Switchable LED Vapor Tight Strip Light	3106 - 4946	27 - 42	MVOLT (120-277)	35K/40K/50K	80CRI
CSV T L96 10000LM MVOLT 40K 80CRI	00194995280858	8' MVOLT LED Vapor Tight Strip Light	10300	87.9	MVOLT(120-277)	4000K	80CRI
CSV T L96 AL04 MVOLT SWW3 80CRI	00194995069446	8' MVOLT LED Vapor Tight Strip Light	6495-10300	55.3-87.9	MVOLT(120-277)	35K/40K/50K	80CRI

More configurations are available. [Click here](#) or visit [www.acuitybrands.com](http://www.acuitybrands.com) and search for CSV T LED.

<b>Accessories:</b> Order as separate catalog number.	
CSV T STSL LATCH	Stainless steel latch kit (Set of 10) ‡

‡ Option Value Ordering Restrictions	
Option value	Restriction
CSV T STSL LATCH	Requires two for L96



## Specifications

### INTENDED USE:

Available in several color temperatures, lumen packages and lengths. Ideal for use in commercial, retail, office, warehouse and display applications. **Certain airborne contaminants can diminish integrity of acrylic.** [Click here for Acrylic / Polycarbonate Environmental Compatibility table for suitable uses.](#)

Certain airborne contaminants may adversely affect the functioning of LEDs and other electronic components, depending on various factors such as concentrations of the contaminants, ventilation, and temperature at the end-user location. [Click here for a list of substances that may not be suitable for interaction with LEDs and other electronic components.](#)

### CONSTRUCTION:

- Light Gray Polycarbonate housing
- Frosted Polycarbonate lens
- Poured in place polyurethane gasket
- Polycarbonate Latches, field installable stainless steel latches available.
- Standard 1/2" wet location fitting

### ELECTRICAL:

- High Efficiency LEDs meet DLC Standard
- MVOLT (120-277V) & 347V
- 0-10V Dimming standard
- Luminaire Surge Protection Level: Designed to withstand up to 2.5kV/0.75kA per ANSI C82.77-5-2015. For applications requiring higher level of protection additional surge protection must be provided.

### INSTALLATION:

- Surface (wall, ceiling) using standard brackets
- Suspended (chain, cable) using standard brackets

### LISTINGS:

- CSA Certified to UL & C-UL Standards for wet location
- IP65, IP66 rated per IEC60529
- FCC Title 47, Part 15 Subpart B compliant
- 2.5kV/0.75kA Surge Rated per ANSI C82-77-5-2015
- DesignLights Consortium® (DLC) qualified product. Not all versions of this product may be DLC qualified. Please check the DLC Qualified Products List at [www.designlights.org/QPL](http://www.designlights.org/QPL) to confirm which versions are qualified.

### WARRANTY:

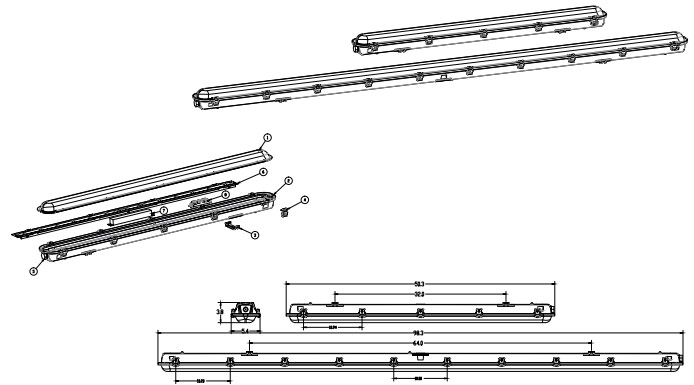
5-year limited warranty. Complete warranty terms located at: [www.acuitybrands.com/support/warranty/terms-and-conditions](http://www.acuitybrands.com/support/warranty/terms-and-conditions)

**Note:** Actual performance may differ as a result of end-user environment and application. All values are design or typical values, measured under laboratory conditions at 25 °C. Specifications subject to change without notice.

## Dimensions

All dimensions are inches (centimeters) unless otherwise indicated.

### 4FT ASSEMBLY



Ambient Temperature Ratings		
Fixture Length	Lumen Package	Temperature Rating
L48	3000LM	-40° C - 45° C
	4000LM	-40° C - 45° C
	5000LM	-40° C - 45° C
	6000LM	-40° C - 35° C
L96	6000LM	-40° C - 30° C
	8000LM	-40° C - 30° C
	10000LM	-40° C - 30° C
	12000LM	-40° C - 30° C

Projected Lumen Maintenance			
Lumen Maintenance Factor	0.91	0.81	0.75
Operating Hours	40,000	90,000	120,000