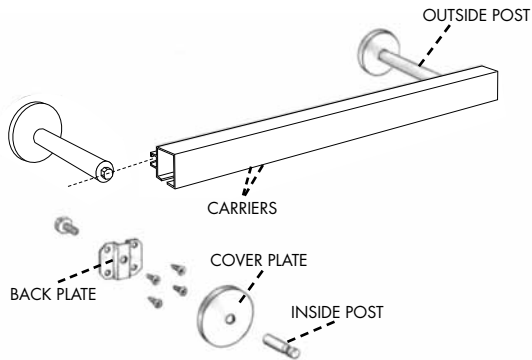


# NEXGEN INSTALLATION INSTRUCTIONS

## STEP 1 - Installing Supports



### Height calculation

This will depend on the way the drape is placed. Distance from center point of Back Plate to top of the rail is 1/2".



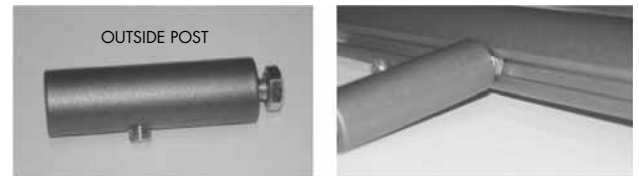
1. Install Back Plate to wall. Make sure all M-6 bolts are level. If you have a spliced track the Center Support must be installed at the position of splice.
2. Cover Back Plate with Cover Plate.
3. Screw on Inside Post very securely. Do not leave any play.

## STEP 2 - Splice track if necessary



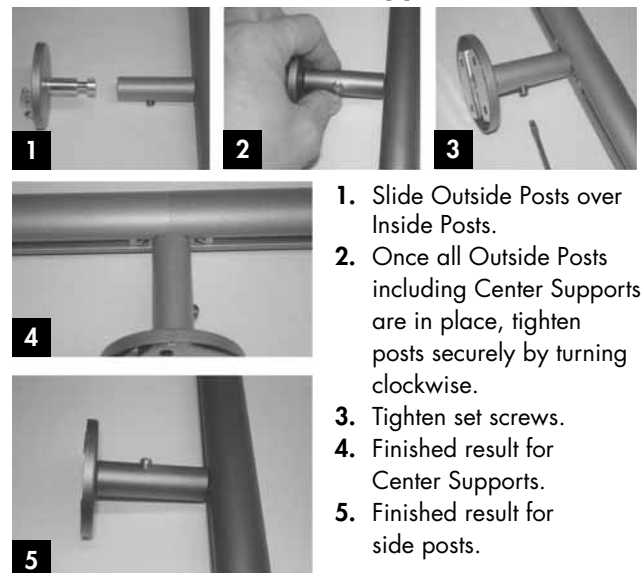
1. Join the track sections together.
2. Tighten set screws.
3. Screw Center Support directly into center hole of Splice.

## STEP 3 - Installing Outside Posts



1. Loosen all screws on Outside Posts.
2. Slide Outside Posts into back channel of Rail.
3. Align Outside Posts with Inside Posts from **Step 1**.

## STEP 4 - Mount rail onto supports



1. Slide Outside Posts over Inside Posts.
2. Once all Outside Posts including Center Supports are in place, tighten posts securely by turning clockwise.
3. Tighten set screws.
4. Finished result for Center Supports.
5. Finished result for side posts.

### STEP 5a - Installing carriers & baton (hand draw system)



1. Remove end cap from rail.



2. Slide Carriers into rail.

3. Re-install end cap
4. Attach baton to side of drape you wish to operate from. Either by clipping it into first carrier or clicking into rail.

### STEP 5b - Installing regular carriers (corded system)



1. Remove plug next to control mechanism.



2. Insert Carriers in track via slot.



3. Re-insert plug.

### STEP 5c - Installing ball-bearing carriers (corded system)

1. In some cases the ball bearing carriers have been installed.
2. To add or subtract carriers slid the RETURN cap off rail (do not completely remove - let the cap stay inside of rail) and insert carriers within the gap provided.
3. Re-insert RETURN cap.



RETURN END

CONTROL END

### STEP 6 - Cord Draw Systems, Installing Pulley

1. Attach pulley to cord. Stretch pulley until cord is tight. It is not necessary to use excessive tension. Mark spot with pencil on wall or floor. Remove cords and install pulley then re-install cords.

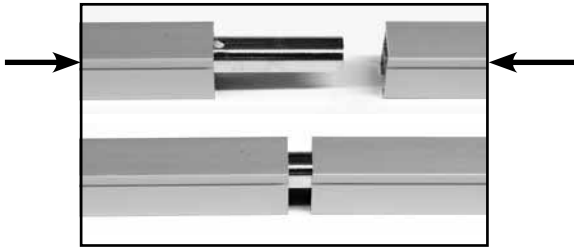
- **THE PULLEY MUST BE INSTALLED. IT IS THE LAW. FAILURE TO DO SO CAN RESULT IN INJURY TO CHILDREN OR PETS!**

2. IF NEEDED - To adjust CONTROL cord drop, pull cord through master carrier until pulley is at desired height. Pull cord an extra few inches and knot cord at proper spot. When you install the pulley the cord will slide back into place.

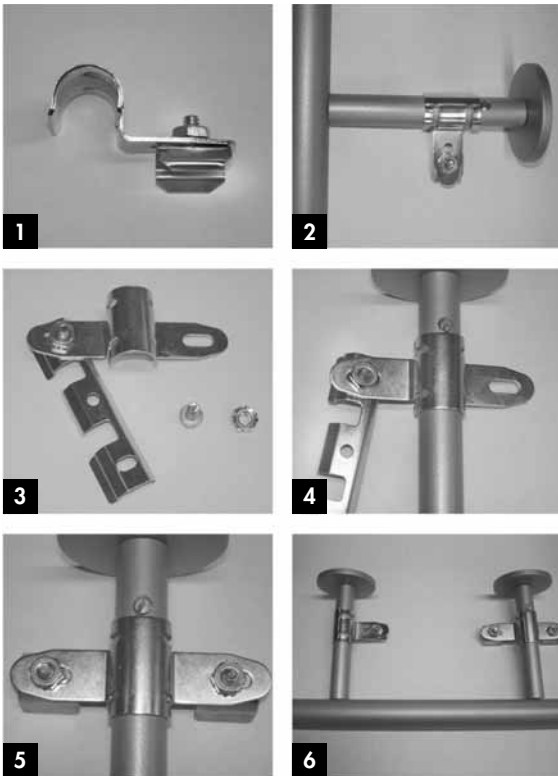


# INSTALLATION OF EURO-SCOPE UPGRADE KONTUR, NEXGEN, TEKNO 25, TEKNO 40

## STEP 1 - Assembling track when splicer is included



## STEP 2 - Installing mounting hardware



1. Assemble Upgrade Clips for Outside Posts.
2. Attach assembled clip to Outside Posts.
3. Partially assemble Upgrade Clip for Center Post.
4. Mount Center Clip to Center Post and finish assembly.
5. Finished result of Center Clip
6. Clips must align to be able to install track.

## STEP 3 - Installing track



1. Place the front lip of the track into the front edge of the clip. Rotate the back of the track up into the clips and snap into place.

## STEP 4 - Installing baton

1. Click-in carriers.
2. Attach baton to side or rail you wish to operate from. Clip baton either into a carrier or directly into the rail.

## STEP 5 - Installing Pulley

1. Determine if cord is on the side you wish to operate. Control side can be changed by pulling cord through opposite control.
2. Attach cord to pulley. Stretch pulley and create sufficient tension so cord remains in track. Do not apply excessive tension. Mark spot with pencil on wall or floor.
3. Remove cords and fasten pulley to wall or floor. Re-install cords.
  - **THE PULLEY MUST BE INSTALLED. IT IS THE LAW. FAILURE TO DO SO CAN RESULT IN INJURY TO CHILDREN OR PETS.**
4. For center opening tracks greater than 84", click in plastic plug at center point of rail to help support cords.

