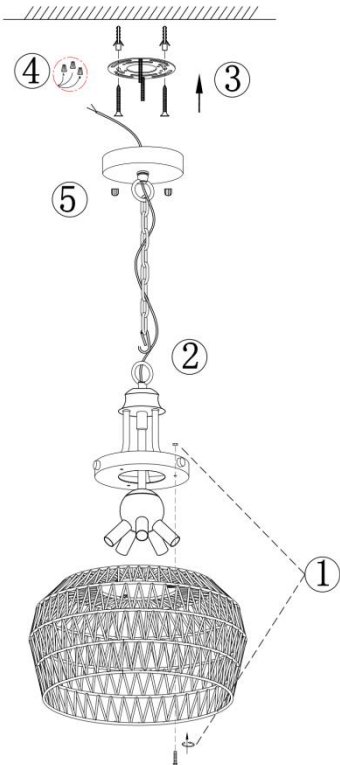


Instruction Manual

Boho Rattan Chandelier



INFORMATION AND PACKAGE

Specification	
Voltage	110- 120V
Bulb Socket	E26
Wattage	40W
Bulb Type	Halogen, Incandescent, LED bulbs,
Certification	Wire, switch, plug with UL certification
Warranty	2 Years

Package List	
Ceiling plate	1
Pandean Chain	1
Light Frame	1
Rattan Lampshade	1
Instruction manual and accessory kit	1

A LETTER TO MY PRECIOUS CUSTOMER

Dear Customer,

Thanks for choosing Chandelier! If you have any issue when you receive it, please contact us directly. We will offer a proper solution ASAP once receive your message. Basically, we provide online customer service during PDT 6:00 pm~9:00 pm (EDT 9:00 pm~00:00 am) from Monday to Friday. So, do not hesitate to contact us during this time frame, we will reply to you in 30 mins!

- Customer Support Team

Installation Steps

1. Align the bottom of the light frame with the holes in the hood and tighten with screws and nuts.
2. Passing wires through hanging chains, ceiling plate.
3. Attach the metal bracket to your junction box with Phillips head screws. (Anchor screws are only useful for those customers who do not have a junction box).
4. Connect the "L" wire to your "live" wire through the orange terminal caps and the "N" wire to your "neutral" wire, the copper wire needs to be wrapped around the green screw.
5. Make the two holes on the canopy align with the screws sticking out of the metal bracket, and then fix them by the nuts. Insert the bulbs.

QUESTION & ANSWER

Q: After powering on, my lamp doesn't work. What should I do?

A: First, make sure your bulbs are working well.

If your bulbs work, but not on the lamp, please pull the legs of the bulbs to the sides. This operation is to ensure that the bulb makes good contact with the copper in the bulb socket.