

Blinds & Shades

Measuring Guidelines

Inside Mount

Blinds/Shades are mounted inside the window casing/frame.
Use a metal measuring tape (cloth tapes may stretch).

Measure the inside width of the window opening in 3 places; top, middle and bottom. (Fig A)

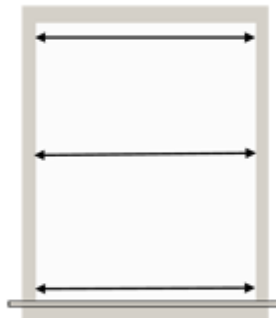


Fig A

Record the **widest** measurement.

Measure the inside height of the window opening in 3 places; left, middle and right. (Fig B)

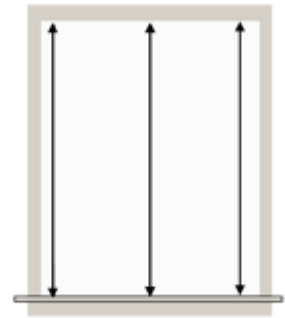


Fig B

Record the **longest** measurement.

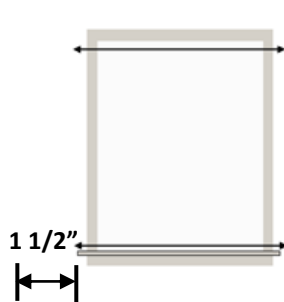
***Note:**

Measure exactly to the nearest 1/16 in., do not make any deductions or allowances.
Use these recorded measurements to select the appropriate blinds/shades for your window opening.
Do not order blinds/shades shorter than your window opening.

Outside Mount

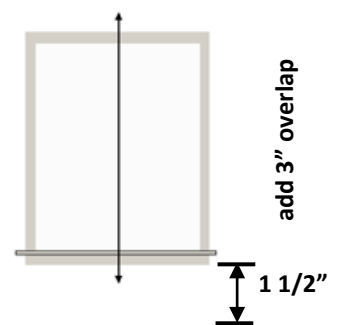
Blinds/Shades are mounted outside the window casing/frame.
Use a metal measuring tape (cloth tapes may stretch).

Measure the **exact width** of the entire area to be covered.



For added light control and privacy, suggest to **add 1 1/2" on each side.**

Measure the **exact height** of the entire area to be covered.



For added light control and privacy, suggest to **add 1 1/2" to the height.**

***Note:**

Measure exactly to the nearest 1/16 in., do not make any deductions or allowances.
Select the width and height closest to the area you want to cover.
Do not order blinds/shades less than the area you want to be covered.
For better light and privacy control, approximately 3" for overall width and 3" for overall height.