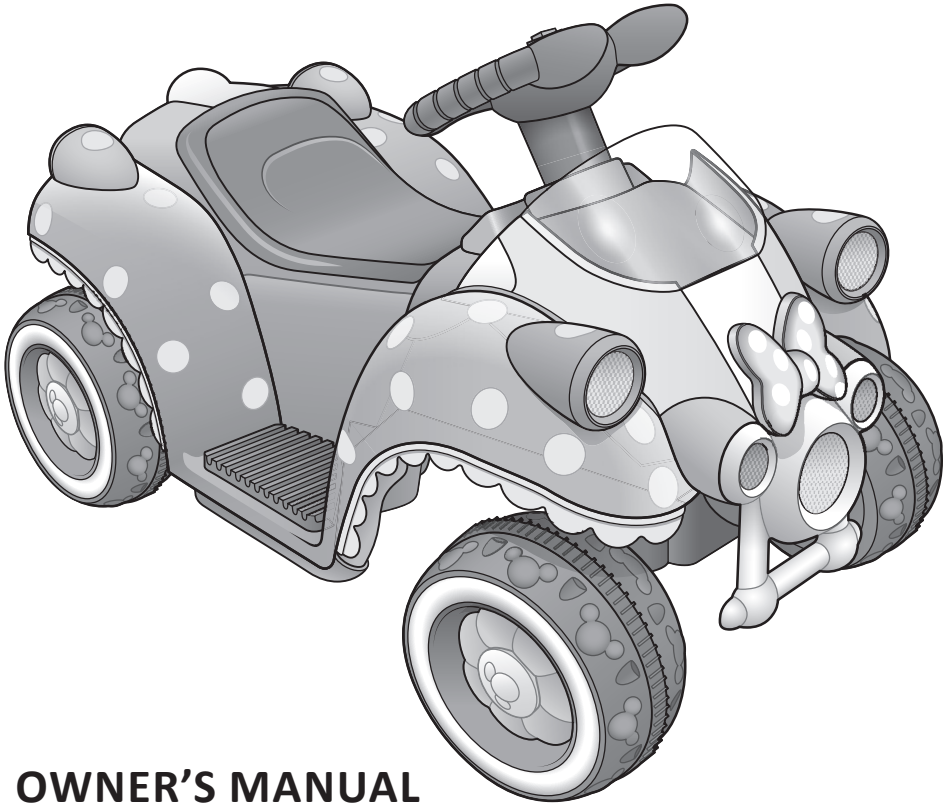


# Disney MINNIE

## Toddler Quad



## OWNER'S MANUAL

KT1123TR

The owner's manual contains assembly, use and maintenance instructions. The Minnie Quad must be assembled by an adult who has read and understands the instructions in this manual. Keep the packaging away from children and dispose of all packaging before use.

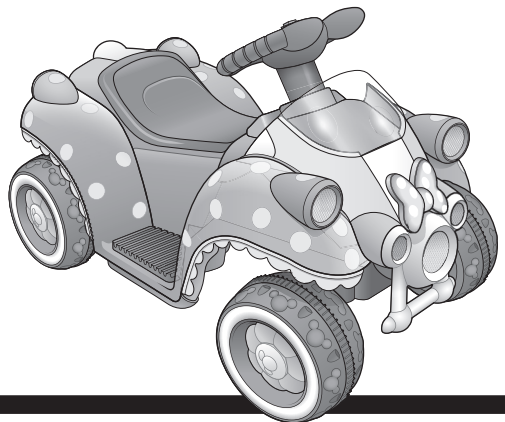
Styles and colors may vary • Made in China  
**Keep instructions for future reference.**

©Disney

# Thank You

For purchasing this Kid Trax Disney ride-on toy. We hope Your child will have years of riding enjoyment with our product.

Please call Kid Trax Toys Consumer Relations at **877-741-6154** with comments or questions.



# Contents

<b>1 Safety</b> .....	1
Battery Warnings .....	2
User Requirements and Warnings.....	3
Care Warnings.....	3
<b>2 Parts</b> .....	4
Body Parts .....	4
Hardware.....	4
<b>3 Assembly</b> .....	5
Attach the Front Axle Assembly .....	5
Attach the Front Wheels .....	6
Attach the Rear axle and Gear Box Pad.....	7
Attach the Rear Wheels .....	8
Attach the Steering Wheel Assembly .....	9
Connect the Steering Wheel Wires.....	10
Attach the Windshield .....	10
Attach the Seat .....	11
<b>4 Using the Minnie Quad</b> .....	12
Charge the Battery .....	12
Re-Charge Interval and Time .....	13
Battery Storage .....	13
Battery Replacement and Disposal .....	14
Operating the Controls.....	15
<b>5 Maintenance</b> .....	16
<b>6 Troubleshooting Guide</b> .....	17
<b>7 Services, Repairs and Parts</b> .....	19
<b>8 Warranty</b> .....	20
<b>9 Contact Information</b> .....	21

# 1 Safety

## **WARNING!**

**The following safety hazards may result in serious injury or death:**

- This product contains small parts that are for adult assembly only. Keep small children away when assembling. Remove and dispose of all protective material and poly bags before assembly. Be sure to remove all packaging materials and parts from underneath the vehicle body.
- Riding the vehicle without a helmet. Riders must always wear a fitted helmet that complies with U.S. Consumer Product Safety Commission (CPSC) Standard CFR 1183.
- Battery posts, terminals and related accessories contain lead and lead compounds (acids) chemicals known to the state of California to cause cancer, reproductive harm, and are toxic and corrosive. Never open the battery.
- Body parts such as hands, legs, hair and clothing can get caught in moving parts. Never place a body part near a moving part or wear loose clothing while using the vehicle. Always wear shoes when using the vehicle.
- Using the vehicle near streets, motor vehicles, drop-offs such as: steps, water (swimming pools) or other bodies of water, sloped surfaces, hills, wet areas, flammable vapors, in alleys, at night or in the dark could result in an unexpected accident. Always use the vehicle in a safe, secure environment with continuous adult supervision.
- Using the vehicle in unsafe conditions such as snow, rain, loose dirt, mud, sand or fine gravel may result in unexpected action such as tip over and skidding, and damage to the electrical system and battery.
- Using the vehicle in an unsafe manner. Examples include but are not limited to:
  - a. Pulling the vehicle with another vehicle or similar device
  - b. Allowing more than one rider
  - c. Pushing the user from the back
  - d. Traveling at an unsafe speed

Always use common sense and safe practices when using the vehicle.

The battery in this product contains or emits chemicals known to the state of California to cause cancer or birth defects or other reproductive harm.

## BATTERY WARNINGS



### WARNING!

The following safety hazards may result in serious injury or death:



- Use of a battery or charger other than the supplied Kid Trax Toys 6V rechargeable battery and charger may cause a fire or explosion. Only use the supplied Kid Trax Toys 6V rechargeable battery and charger with the vehicle.



- Using the Kid Trax Toys 6V rechargeable battery and charger for any other product may result in overheating, fire or explosion. Never use the Kid Trax Toys 6V rechargeable battery and charger with another product.
- Explosive gases are created during charging. Charge the battery in a well ventilated area. Do not charge the battery near heat or flammable materials.
- Contact between the positive and negative terminals may result in fire or explosion. Avoid direct contact between the terminals. Picking up the battery by the wires or charger can cause damage to the battery and may result in a fire. Always pick up the battery by it's case or handles.
- Liquids on the battery may cause fire or electric shock. Always keep all liquids away from the battery and keep the battery dry.



- Contact or exposure to battery leakage (lead acid) may cause serious injury. If contact or exposure occurs immediately call your physician. If the chemical is on the skin or in the eyes, flush with cool water for 15 minutes. If the chemical was swallowed, immediately give the person water or milk. Do not give water or milk if the patient is vomiting or has a decreased level of alertness. Do not induce vomiting.



- Battery posts, terminals and related accessories contain lead and lead compounds (acid), chemicals known to the State of California to cause cancer, reproductive harm and are toxic and corrosive. Never open the battery.



- Tampering or modifying the electric circuit system may cause a shock, fire or explosion and permanently damage the system. Exposed wiring, circuitry in the charger may cause electric shock. Always keep the charger housing closed.

## USER REQUIREMENTS AND WARNINGS

<b>Age Range</b>	18 months and up
<b>Weight Range</b>	No more than 45 lb (20 kg)

Before using the quad the child should understand the vehicle controls and safety issues. They must also demonstrate the capability to handle the vehicle and operate its controls. It is the responsibility of the adult to educate the child and supervise the vehicles use.

Read the following safety warnings to any child using the quad before riding.

### **WARNING!**

- Only use the vehicle when an adult is present to watch (supervise).
- Always sit on the seat when using the vehicle.
- Keep your hands, hair and clothes away from moving parts.
- Always wear shoes when using the vehicle.
- Only one rider is allowed at a time.
- Only drive on level ground.
- Do not go near water, drop-offs or up and down steep slopes.
- Do not drive the vehicle into loose dirt, mud, sand or fine gravel.
- Do not drive the vehicle on streets or near cars.

## CARE WARNINGS

### **WARNING!**

- Store the quad indoors or cover it with a tarp to protect it from wet weather.
- Do not leave the quad in the sun for long periods of time or fading may occur. Store in shade or cover with tarp.
- Do not wash the quad with a hose.
- Wipe with clean damp cloth or use furniture polish to shine the plastic.

## 2 Parts

### BODY PARTS

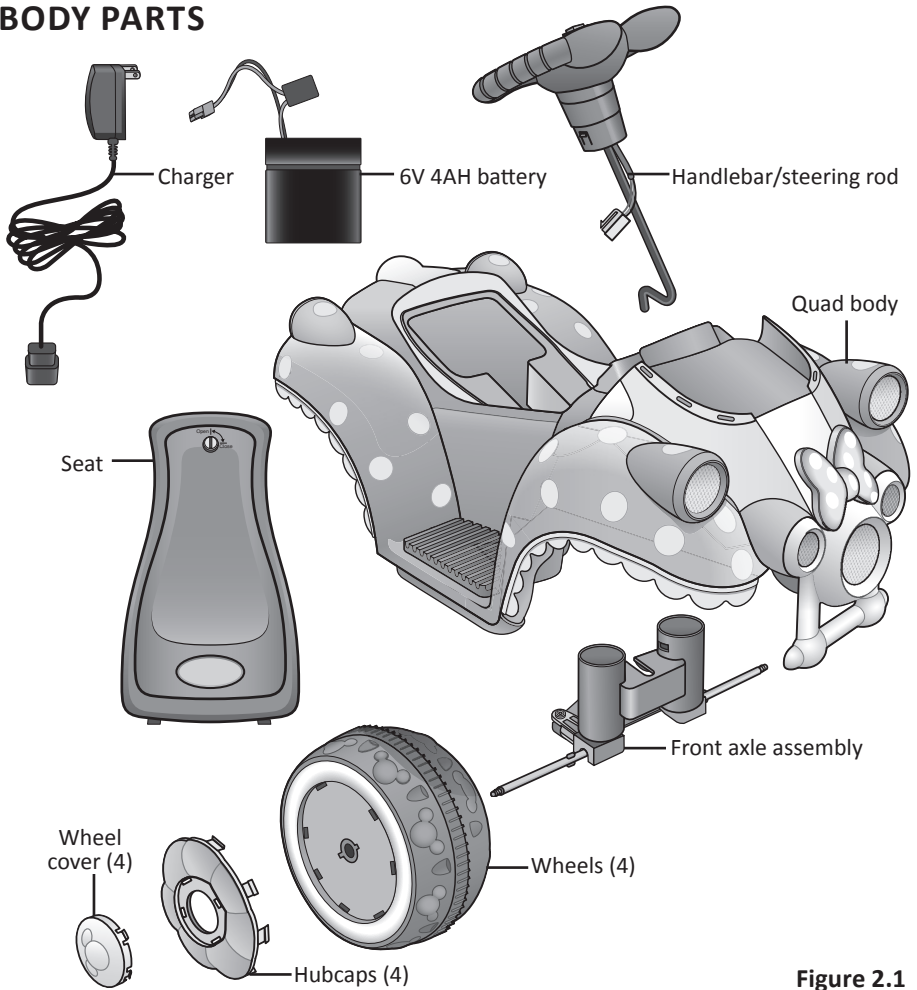


Figure 2.1

### HARDWARE

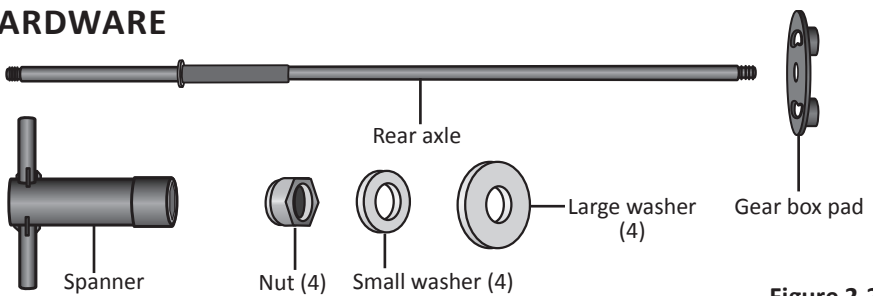


Figure 2.2

## 3 Assembly

### ATTACH THE FRONT AXLE ASSEMBLY

- 1 Position the front axle assembly so the flat side is facing towards the front bumper. **Figure 3.1**
- 2 Slide the front axle assembly over the two tubes coming from underside of the front body.
- 3 Press the front axle assembly into the tubes until the tabs on the tubes snap into the holes on the front axle assembly.

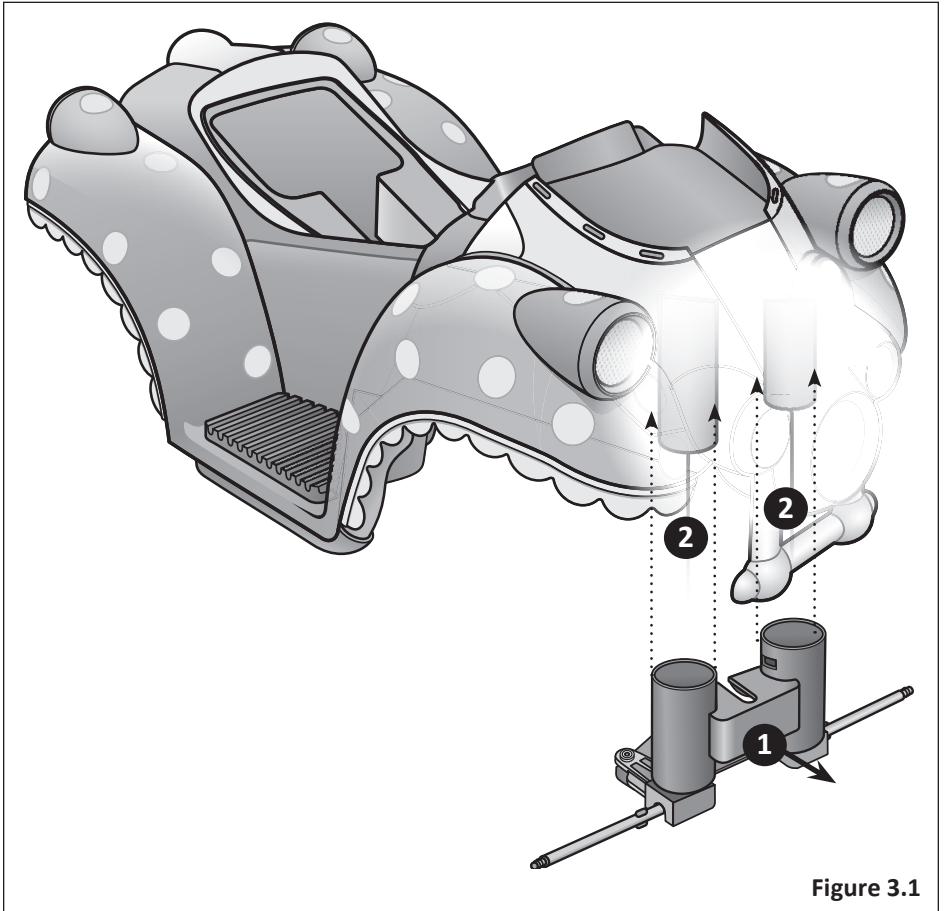
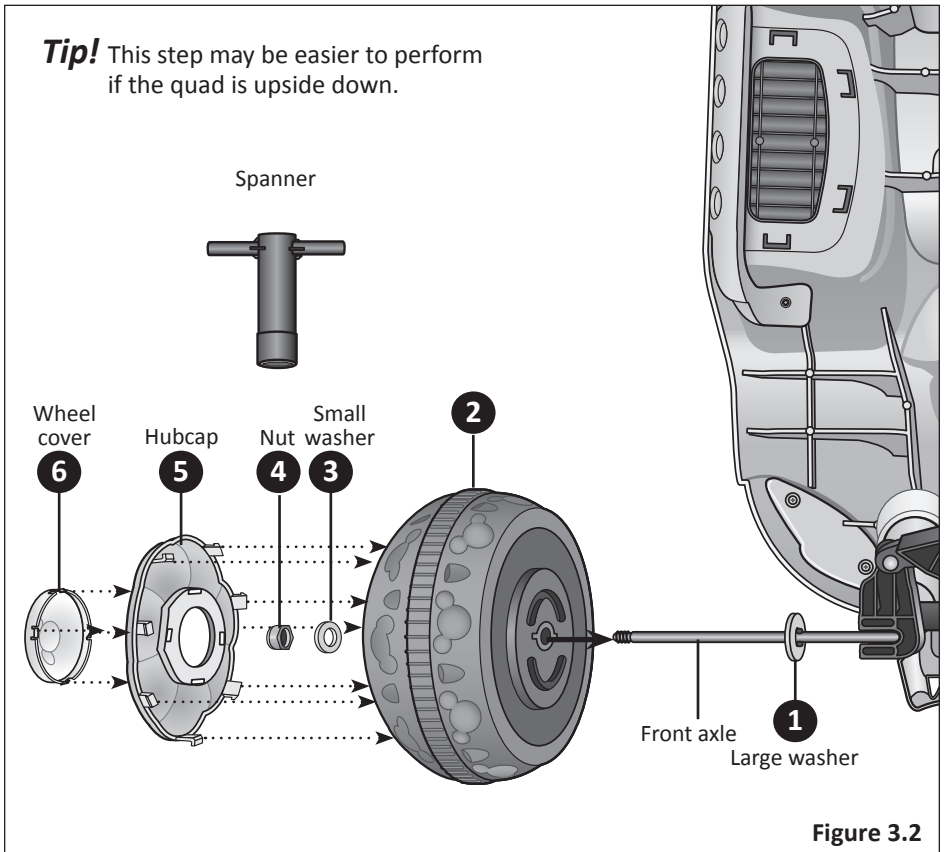


Figure 3.1

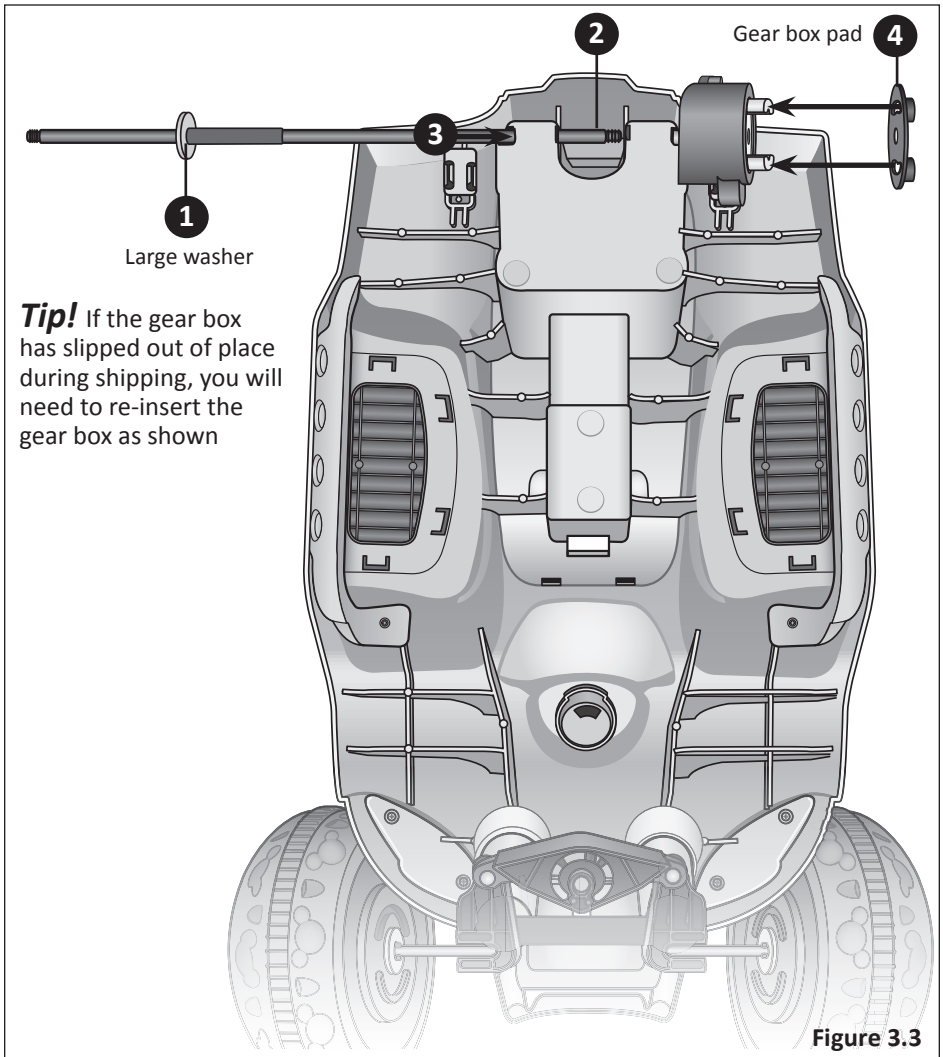
# ATTACH THE FRONT WHEELS

- 1 Using the spanner, remove the nut from the axle. Then remove the small washer.  
**Note:** Leave the large washer on the axle.
- 2 Slide the wheel all the way onto the axle until it meets the large washer.  
**Note:** All the wheels are identical and can be placed on any axle.
- 3 Slide the small washer onto the axle.
- 4 Place the nut onto the end of the axle and tighten with the spanner.
- 5 Align the tabs on the hubcap with the slots in the wheel. Press the hubcap into the wheel until it snaps into place.
- 6 Align the tabs on the wheel cover with the slots in the hubcap. Press the wheel cover into the hubcap until it snaps into place.
- 7 Repeat steps 2-6 for the remaining front wheel.



## ATTACH THE REAR AXLE AND GEAR BOX PAD

- 1 Remove the locknut and small washer from the right hand side of the rear axle. Leave the large washers on the axle. **Figure 3.3**
- 2 Position the rear axle so the gear box end is on the side where the gear box is located.
- 3 Slide the rear axle through the holes in the rear of the quad body.
- 4 Position the flat side of the gear box pad facing towards the gear box, and insert the gear box pad over the protrusions on the gear box.



## ATTACH THE REAR WHEELS

- 1 Slide the wheel all the way onto the axle until it meets the large washer. **Note:** All the wheels are identical and can be placed on any axle. **Figure 3.4**
- 2 Slide the small washer onto the end of rear axle.
- 3 Place the nut onto the end of the front axle and tighten with the spanner.
- 4 Align the tabs on the hubcap with the slots in the wheel. Press the hubcap into the wheel until it snaps into place.
- 5 Align the tabs on the wheel cover with the slots in the hubcap. Press the wheel cover into the hubcap until it snaps into place.
- 6 Repeat steps 1-5 for the remaining front wheel. Repeat steps 2-5 for the remaining rear wheel.

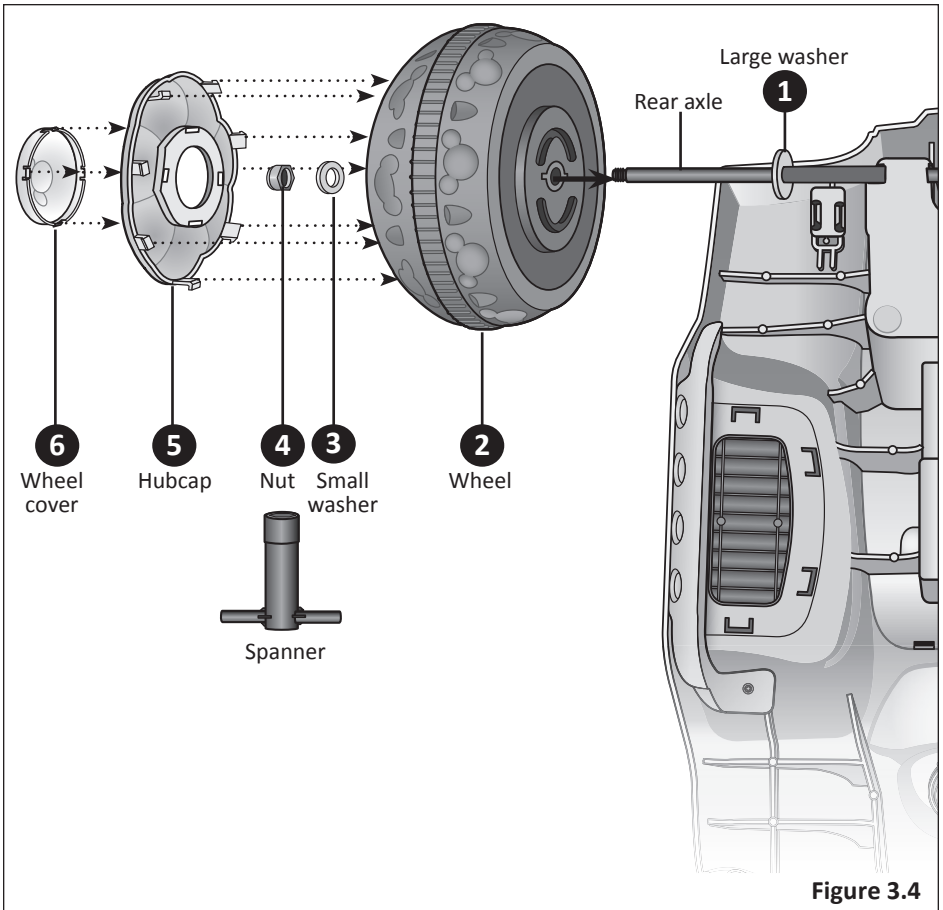


Figure 3.4

## ATTACH THE STEERING WHEEL ASSEMBLY

- 1 Position the steering wheel so the Minnie Mouse ears are facing up. **Figure 3.5**
- 2 Place the steering rod and wire connector through the opening located on the front panel. Be sure the end of the steering rod is fully inserted through the hole in the front axle assembly.
- 3 Press the steering wheel down into the body until the tabs on the base of the steering wheel snap into place.
- 4 Check the steering wheel is securely attached and turns freely.

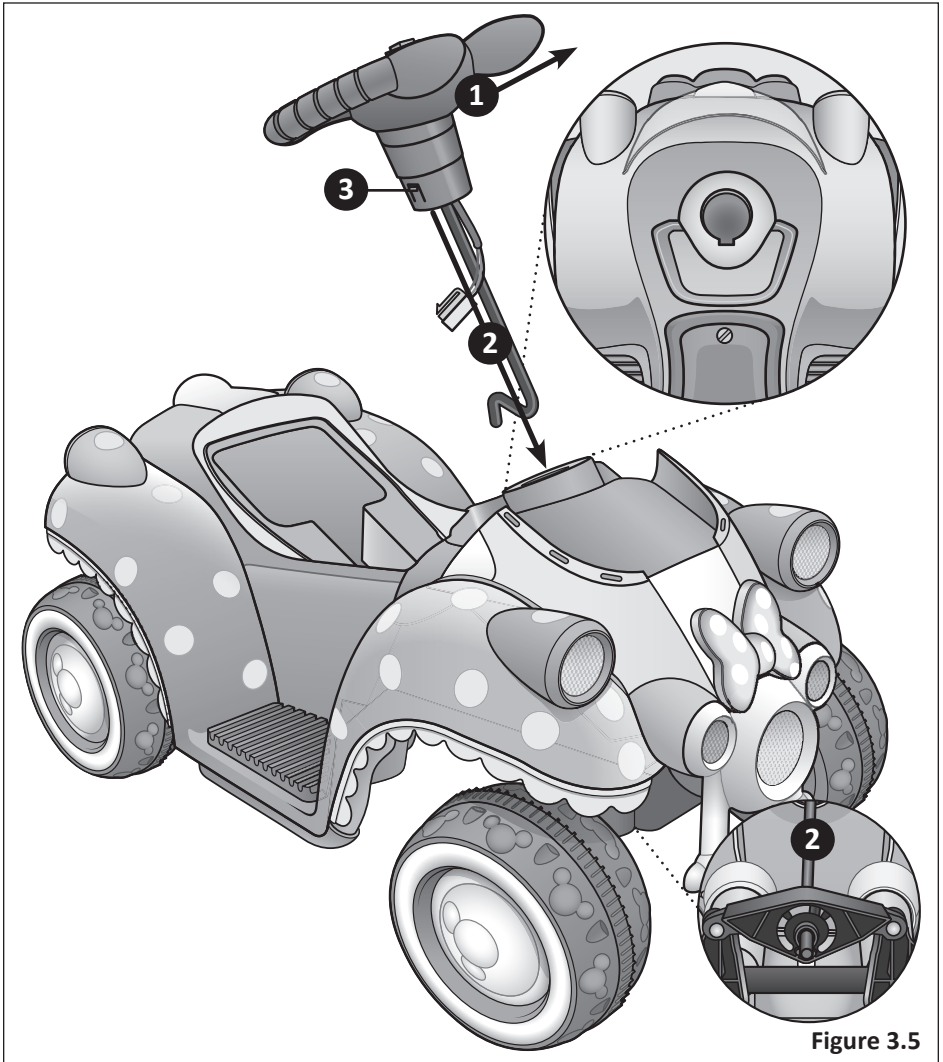
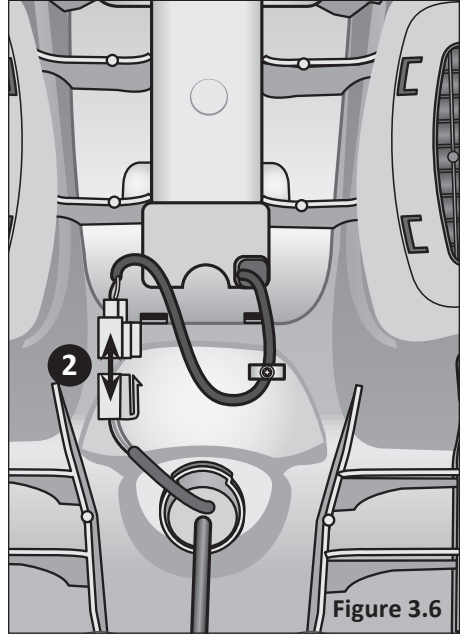


Figure 3.5

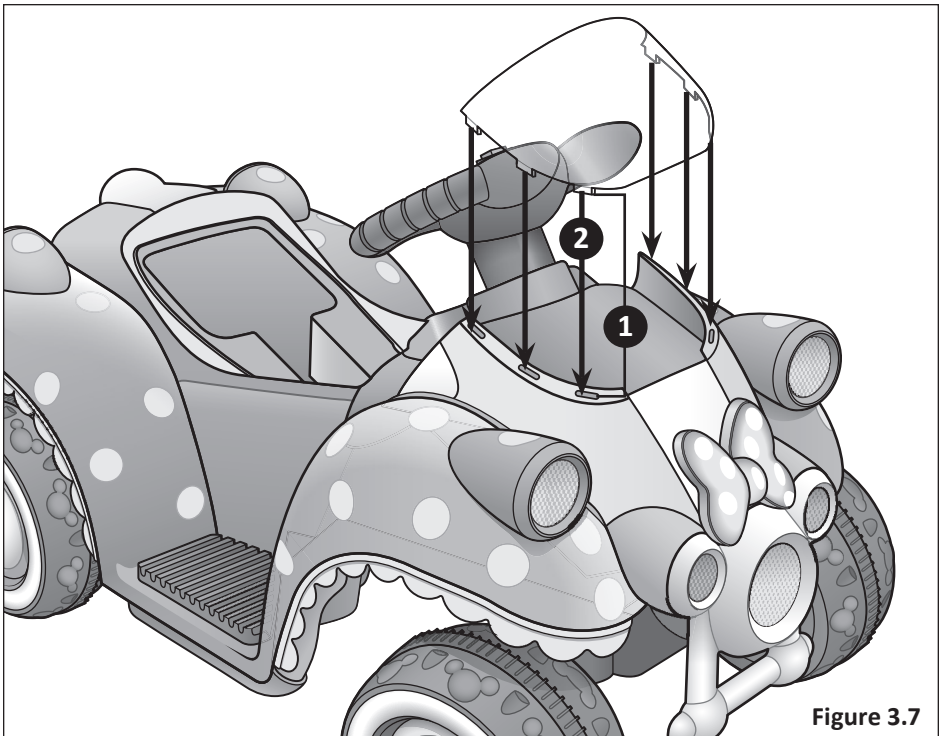
## CONNECT THE STEERING WHEEL WIRES

- 1 Carefully turn the quad over.
- 2 Attach the wire connector coming from the bottom of the steering wheel assembly to wire connector attached to the underside of the quad body. **Figure 3.6**



## ATTACH THE WINDSHIELD

- 1 Align the six tabs on the bottom of the windshield with the six slots on the top of the quad. **Figure 3.7**
- 2 Press the windshield down into the slots until they snap into place.



# ATTACH THE SEAT

- 1 Insert the seat tabs into the seat slots, located at the back of the seat opening.  
**Figure 3.8**
- 2 Lower the seat into the quad body. Turn the locking screw clockwise until the lock is engaged.

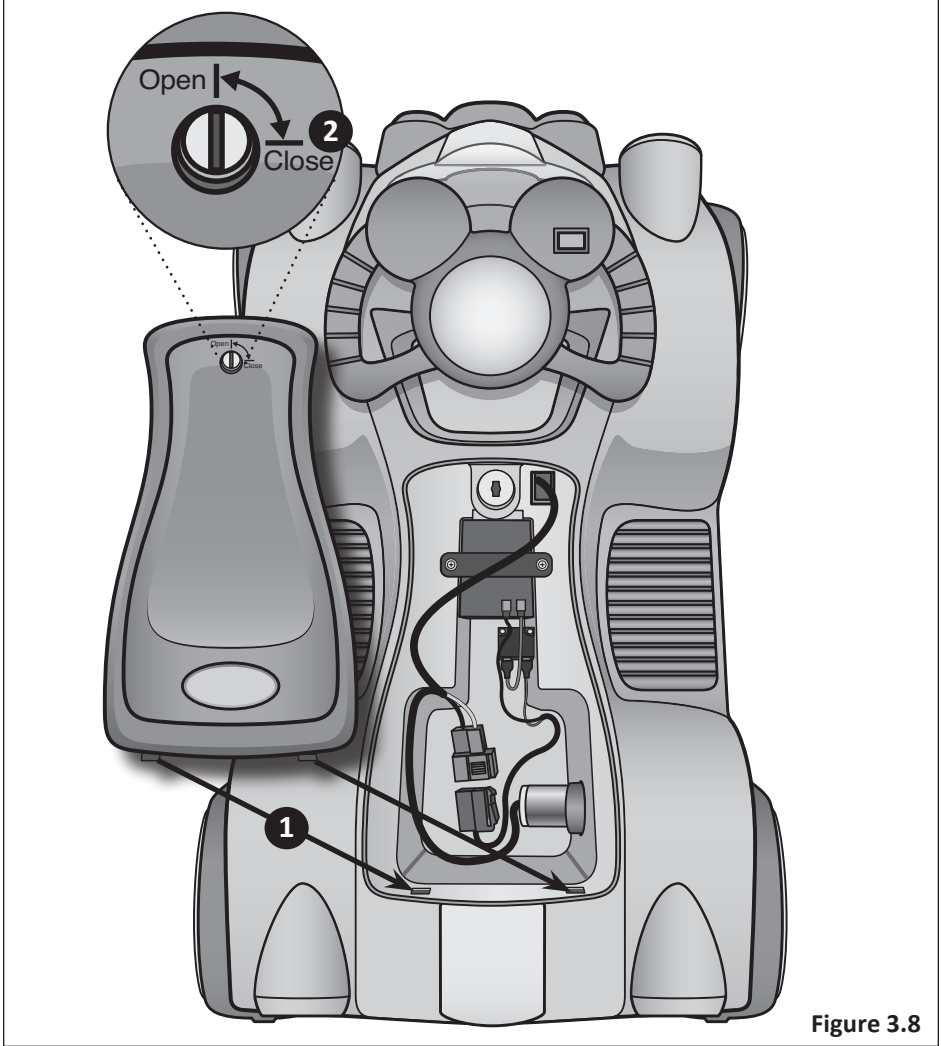


Figure 3.8

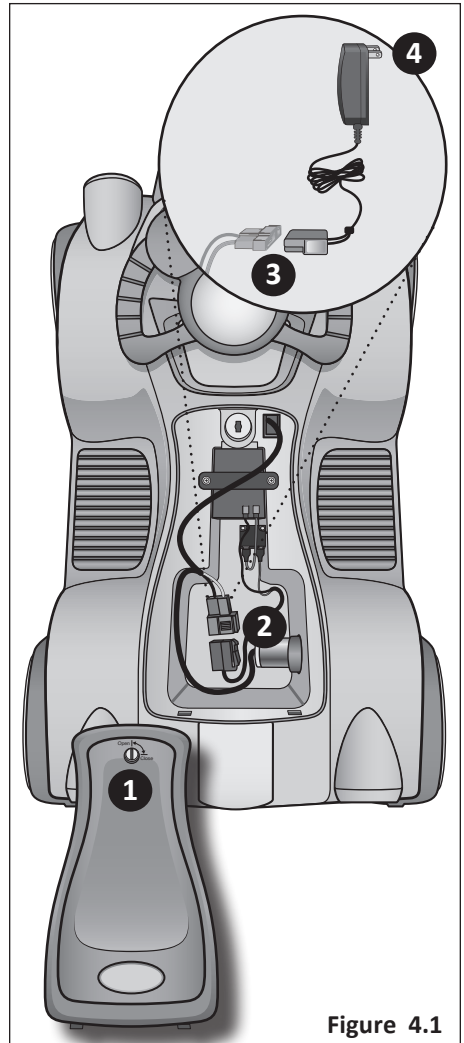
## 4 Using the Minnie Quad

### CHARGE THE BATTERY

**Important!** Before using the quad for the first time the battery needs to be charged for at least **10 to 12 hours**. Only an adult who has read and understands the safety warnings should handle, charge or recharge of the battery.

<b>First charge</b>	24 hours. Do not charge more than 30 hours
<b>Normal charge</b>	8-16 hours. Do not charge for more than 24 hours

- 1 Remove the seat, as described on page 11. **Figure 4.1**
- 2 Disconnect the red connectors.
- 3 Plug the charger connector into the red connector from the battery.  
**Important!** Only use the Kid Trax Toys charger included with the Quad (Input: AC 118V~, 0.5A, 60Hz Output: DC 6V, 0.6A).
- 4 Plug the charger into a standard 118V wall outlet. **Note:** The charger may feel warm during charging. This is normal and not a cause for concern.
- 5 After charging is complete (at least 12 hours, but no more than 18) unplug the charger from the wall outlet.
- 6 Unplug the charger from the charging connector and connect the battery connectors.
- 7 Place the seat back on the vehicle, and lock into place.



**Figure 4.1**

## RE-CHARGE INTERVAL AND TIME

### Important!

- Damage to the battery may occur if it is allowed to drain completely. Do not allow the battery to drain completely.
- Check the battery and charger (supply cord, connector) for wear and damage before charging. Do not charge the battery if damage has occurred. Only replace with a Kid Trax Toys 6V rechargeable battery and charger.

The battery should be charged after each use, or if not used regularly, once a month at a minimum. Charge the battery between 8 and 16 hours. Do not charge the battery for more than 24 hours. Failure to charge the battery as directed would cause permanent damage to the battery and void the warranty.

## BATTERY STORAGE

Do not leave the battery connected in the vehicle for long period of times while not being used. This may drain the battery completely and cause permanent damage. Disconnect the battery connectors from the battery when the vehicle is not going to be used for a long period of time.

It is best to leave the battery in the battery compartment when the vehicle is being stored for long periods. Follow these guidelines if the battery is removed:

- Store the battery where temperatures are between -10° F (-24° C and 75° F (24° C)
- Store the battery on a wood surface. Do not place the battery on cement floors for extended periods. This will result in battery discharge.
- Wipe the battery clean with a dry cloth prior to storage.
- Charge the battery once every month for eight to sixteen hours.

# BATTERY REPLACEMENT AND DISPOSAL

The Kids Trax Toys 6V 4AH battery will eventually lose the ability to hold a charge. Depending on the amount of use, and varying conditions, the battery should operate for one to three years. Follow these steps to replace and dispose the battery: **Figure 4.2**

- 1 Remove the seat.
- 2 Disconnect the battery connectors.
- 3 Remove the battery bracket.
- 4 Carefully lift the battery.
  - Depending on the condition of the battery (i.e.: leakage) you may want to wear protective gloves before removal.
  - Do not lift the battery by its connectors or cables
- 5 Place the dead battery in a plastic bag.

**Important!** Recycle the dead battery responsibly. The battery contains lead acid (electrolyte) and must be disposed of properly and legally. It is illegal in most areas to incinerate lead acid batteries or dispose of them in landfills. Take it to a federal or state-approved lead acid battery recycler, such as a Kid Trax Toys authorized service center or your local automotive battery retailer. Do not throw the battery away with your regular household trash!

- 6 Replace the battery with a Kid Trax Toys 6V 4AH battery.
- 7 Reconnect the battery connectors.
- 8 Replace the metal battery bracket.
- 9 Replace the seat.

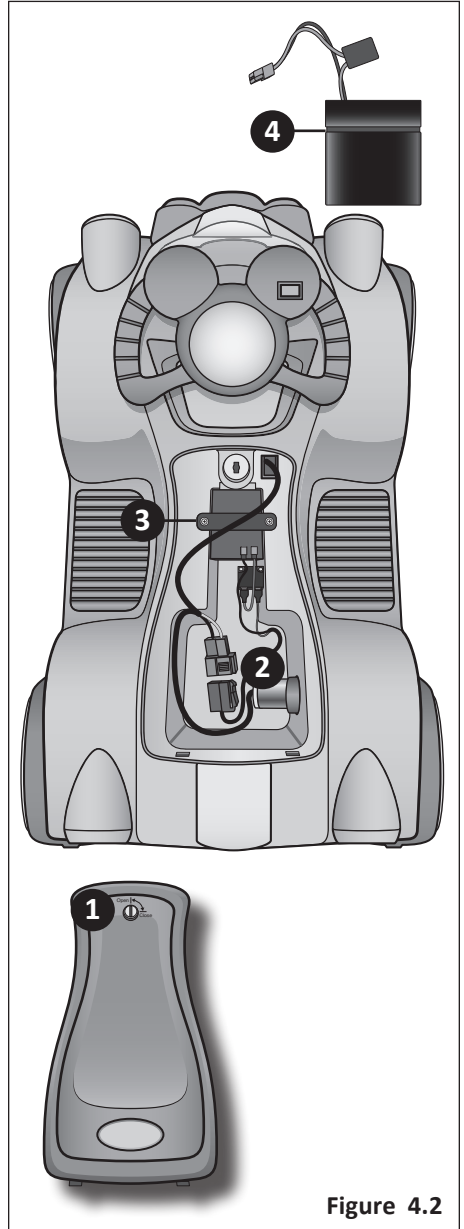


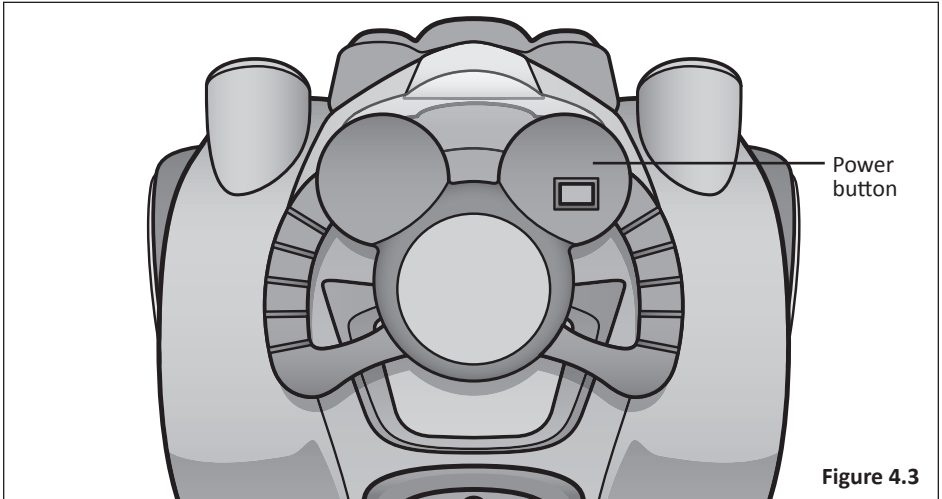
Figure 4.2

## OPERATING THE CONTROLS

**Important!** Before using the quad for the first time the battery needs to be charged for a full 24 hours. Note: Do not charge more than 30 hours. Only an adult who has read and understands the safety warnings should handle, charge or recharge of the battery.

The quad is designed to only move forward at one speed. Do not attempt to move in reverse.

- 1 Press the power button to move the quad forward. **Figure 4.3**
- 2 Release the power button to stop the quad.



## 5 Maintenance

### Maintenance on the quad should be conducted as follows:

- Check for damage, missing or badly worn parts before each use.
- Check the tightness of the fasteners before each use.
- Check the tightness of the wheels before each use. **Note:** If the wheel locknuts are not tight the drive wheel will not engage and the vehicle will not run.
- Ensure the battery is securely in place before each use.
- Occasionally use lightweight oil to lubricate moving parts such as wheels and steering linkage. Do not use oil on plastic or nylon parts. No lubrication is required.
- Store the vehicle indoors or cover it with a tarp to protect it from the wet weather. Keep it away from sources of heat, such as stoves and heaters.
- Clean the vehicle with a soft, dry cloth. To restore shine to plastic parts, use a non-wax furniture polish. Do not use car wax, abrasive cleaners or wash the vehicle with soap and water. Water will damage the motor, electrical system and battery.
- Kid Trax Toys recommends that you take the vehicle to an authorized service center for periodic maintenance and service. Call Kid Trax Toys Consumer Relations at **877-741-6154** for an authorized service center.

## 6 Troubleshooting Guide

The following are examples of potential problems. Completely read through this manual and the troubleshooting guide table before calling Kid Trax Toys Consumer Relations. If you still need help resolving the problem please call **877-741-6154**.

Kid Trax Toys recommends that you take the vehicle to an authorized service center for periodic maintenance and service. Call the number listed above for the closest center to you.

Problem	Possible Cause	Remedy
Vehicle does not run	Battery low on power	Recharge battery
	Thermal fuse has tripped	Let the vehicle rest for 5 to 10 minutes before continuing normal operation.
	Wheel nuts are loose	Tighten wheel nuts
	Battery connector or wires are loose	Check that battery connectors are firmly plugged into each other. If wires are loose around the motor call Consumer Relations at <b>877-741-6154</b> for an authorized service center
	Battery is dead	Replace battery
	Electrical system is damaged	Call Consumer Relations at <b>877-741-6154</b> for an authorized service center
	Motor is damaged	Call Consumer Relations at <b>877-741-6154</b> for an authorized service center
Vehicle does not run very long	Battery is under charged	Check that the battery connectors are firmly plugged into each other when recharging
Vehicle does not run very long	Battery is old	Replace battery

Problem	Possible Cause	Remedy
Vehicle runs sluggishly or beeping occurs	Battery low on power	Recharge battery
	Battery is old	Replace battery
	Vehicle is overloaded	Reduce weight on vehicle
	Vehicle is being used in harsh conditions	Operate the vehicle level ground and firm surfaces
Vehicle needs a push to go forward	Poor contact of wires or connectors	Check that battery connectors are firmly plugged into each other. If wires are loose around the motor call Consumer Relations at <b>877-741-6154</b> for an authorized service center
	“Dead Spot” on motor	A <b>dead spot</b> means the electric power is not being delivered to the terminal connection and the vehicle needs repair. Call Consumer Relations at <b>877-741-6154</b> for an authorized service center
Loud grinding or clicking noises coming from motor or gear box	Motor or gears are damaged	Call Consumer Relations at <b>877-741-6154</b> for an authorized service center
6V Battery will not recharge	Battery connector or adapter connector is loose	Check that battery connectors are firmly plugged into each other
	Charger not plugged in	Check that battery charger is plugged into a working wall outlet
	Charger is not working (lights not glowing)	Call Consumer Relations at <b>877-741-6154</b> for an authorized service center
Battery bubbles or gurgles when charging	This is normal and not a cause for concern	
Charger feels warm when recharging	This is normal and not a cause for concern	

## 7 Services, Repairs and Parts

Do not return this product to the place of purchase. If your Disney Minnie Mouse Toddler Quad needs service, repairs or replacement parts, call:

### **Kid Trax Toys Consumer Relations**

**Hours:** 8:00 am – 5:00 pm (CST) Monday - Friday

**Phone:** 877-741-6154

**Email:** [customerservice@kidtraxtoys.com](mailto:customerservice@kidtraxtoys.com)

**Web:** [www.kidtraxtoys.com](http://www.kidtraxtoys.com)

For service and repairs you will be directed to an authorized service center. To order parts have the model and serial number, found underneath the seat on the battery cover.

The following is a list of available replacement parts:

- Wheels
- Hardware bag for wheel assembly
- Steering assembly
- 6V Kid Trax battery
- Battery charger

## **8** Warranty

### **One-Year Limited Warranty Six-Month Limited Warranty on Battery**

Pacific Cycle, Inc. (PC) warrants this product to the original retail purchaser as follows:

The vehicle (except for the 6-volt battery) is warranted against defective materials or workmanship for one year from the date of original purchase. The 6-volt battery is warranted against defective materials or workmanship for six months from the date of original purchase. An original receipt is required to validate your warranty. PC will, at its option, provide replacement parts or replace this product. PC reserves the right to substitute if the part or model has been discontinued.

To make a claim under this warranty you may contact us at [www.kidtraxtoys.com](http://www.kidtraxtoys.com); fax us at 1-800-858-2800, 24 hours a day; write to Kid Trax Consumer Relations Department, Kid Trax Toys, P.O. Box 344 Olney, IL 62450 or call 1-877-741-6154 from 8 a.m. to 5 p.m., Monday through Friday, CST. Proof of purchase is required, and shipping charges are the responsibility of the consumer.

### **Warranty Limitations**

This warranty does not include damages which arise from accident, misuse, abuse, neglect or other causes not arising out of defects in materials or workmanship, nor does it cover damages arising out of service by other than an authorized PC service center. For personal use only. Not for commercial use. The original owner shall pay all labor charges connected with the repair or replacement of all parts. Under no circumstances does this limited warranty include the cost of shipment or transportation to or from an authorized Kid Trax repair center or Kid Trax retailer.

### **Limitation of Damages:**

The warranty and remedies as set forth are exclusive and in lieu of all others, oral or written, expressed or implied. In no event will PC or the dealer selling this product be liable to you for any damages, including incidental or consequential damages, arising out of the use or inability to use this product. Some states do not allow limitations as the exclusion or limitation of incidental or consequential damages, so the above limitation may not apply to you.

### **Limitation of Warranties and Warranty Terms**

Any implied warranties, including implied warranties of the merchantability and fitness for a particular purpose, shall be limited to the duration and terms of the express written warranty. Some states do not allow limitations as the exclusion or limitation of incidental or consequential damages, so the above limitation may not apply to you. This warranty gives you specific legal rights, and you may have other rights, which vary from state to state. Neither PC nor the dealer selling this product authorized any person to create for it any other warranty, obligation or liability in connection with this product.

## 9 Contact Information

If you have any questions or comments please contact us at:

**In U.S.A.**

© 2013 Pacific-Cycle Inc.  
4902 Hammersly Rd.  
Madison, WI 53711

**Customer Service:**

877-741-6154  
customerservice@kidtraxtoys.com  
www.kidtraxtoys.com

