

# TOTO®

# MS604114CEF(R)(G)

## UltraMax® II One-Piece Toilet, 1.28GPF

### FEATURES

- Tornado Flush™ system, high-efficiency (1.28GPF/4.8LPF)
- CeFiONtect™ ceramic glaze - prevents debris and mold from sticking to ceramic surfaces, leading to fewer chemicals.
- Universal Height
- Decorative one-piece design with high-profile tank
- Elongated front bowl with SoftClose® seat (SS114)
- 12" rough-in
- Chrome trip lever

### MODELS

- MS604114CEFG  
With CeFiONtect ceramic glaze, SS114 SoftClose seat included (#01, #03, #11, #12)
- MS604114CEFRG  
Same as above, with right-hand trip lever (#01)
- MS604114CEF  
Without CeFiONtect, SS114 SoftClose seat included (#51)

### COLORS/FINISHES

- #01 Cotton
- #03 Bone
- #11 Colonial White
- #12 Sedona Beige
- #51 Ebony (not available in CeFiONtect)

### PRODUCT SPECIFICATION

The one-piece high-efficiency Tornado Flush system toilet shall be 1.28GPF/4.8LPF. Toilet shall have CeFiONtect ceramic glaze (except #51 Ebony) and be at Universal Height. Toilet shall have high-profile tank, elongated front bowl with SoftClose seat and Chrome trip lever. Toilet shall be TOTO Model MS604114CEF\_\_\_\_\_.



 **Tornado Flush**

 **CeFiONtect**

### CODES/STANDARDS

- Meets and exceeds ASME A112.19.2/CSA B45.1
- Certifications: IAPMO(cUPC), EPA Watersense, State of Massachusetts, City of Los Angeles, and others
- Code compliance: UPC, IPC, NSPC, NPC Canada, and others
- Legislative Compliance: California AB715, California Green Building Code, City of Los Angeles Water Efficiency Ordinance
- ADA compliant (when installed with trip lever located on the approach side)



# MS604114CEF(R)(G)

## UltraMax® II One-Piece Toilet, 1.28GPF

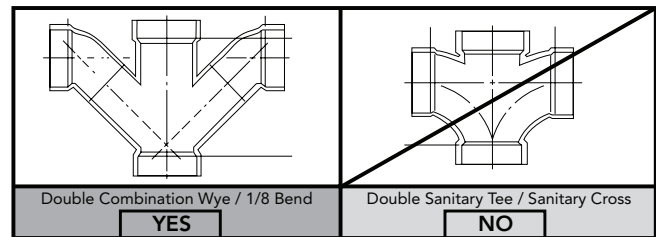
### SPECIFICATIONS

- Water Use 1.28 GPF/4.8LPF
- Flush System Tornado Flush™
- Min. Water Pressure 8 psi (static)
- Water Surface 7-1/8" x 9-1/8"
- Trap Diameter 2-1/8"
- Rough-in 12"
- Trap Seal 2-1/8"
- Warranty One Year Limited Warranty
- Material Vitreous china
- Shipping Weight 99 lbs.
- Shipping Dimensions 32" L x 20" W x 17-3/4" H<sup>1</sup> x 28-3/4" H<sup>2</sup>

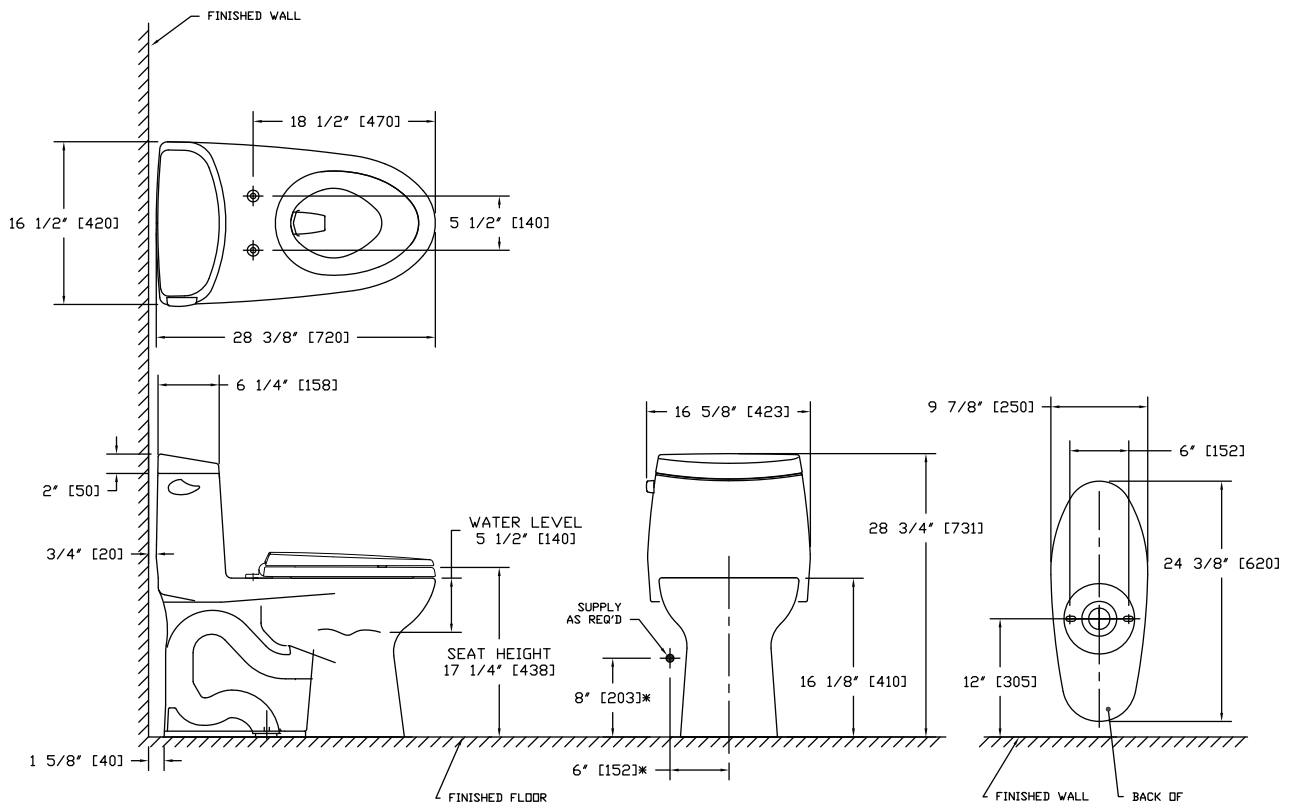
### INSTALLATION NOTES

#### Back-to-Back Toilet Installations:

TOTO recommends the use of a nationally listed, double sanitary tee-wye only, in vertical waste stacks, in accordance with the stipulations noted in the majority of nationally recognized plumbing codes.



To maintain adequate wall gap between the back of the tank and wall, mount the floor flange at a nominal 12" rough-in distance.



\*SUGGESTED DIMENSIONS

**TOTO**

*These dimensions and specifications are subject to change without notice*