

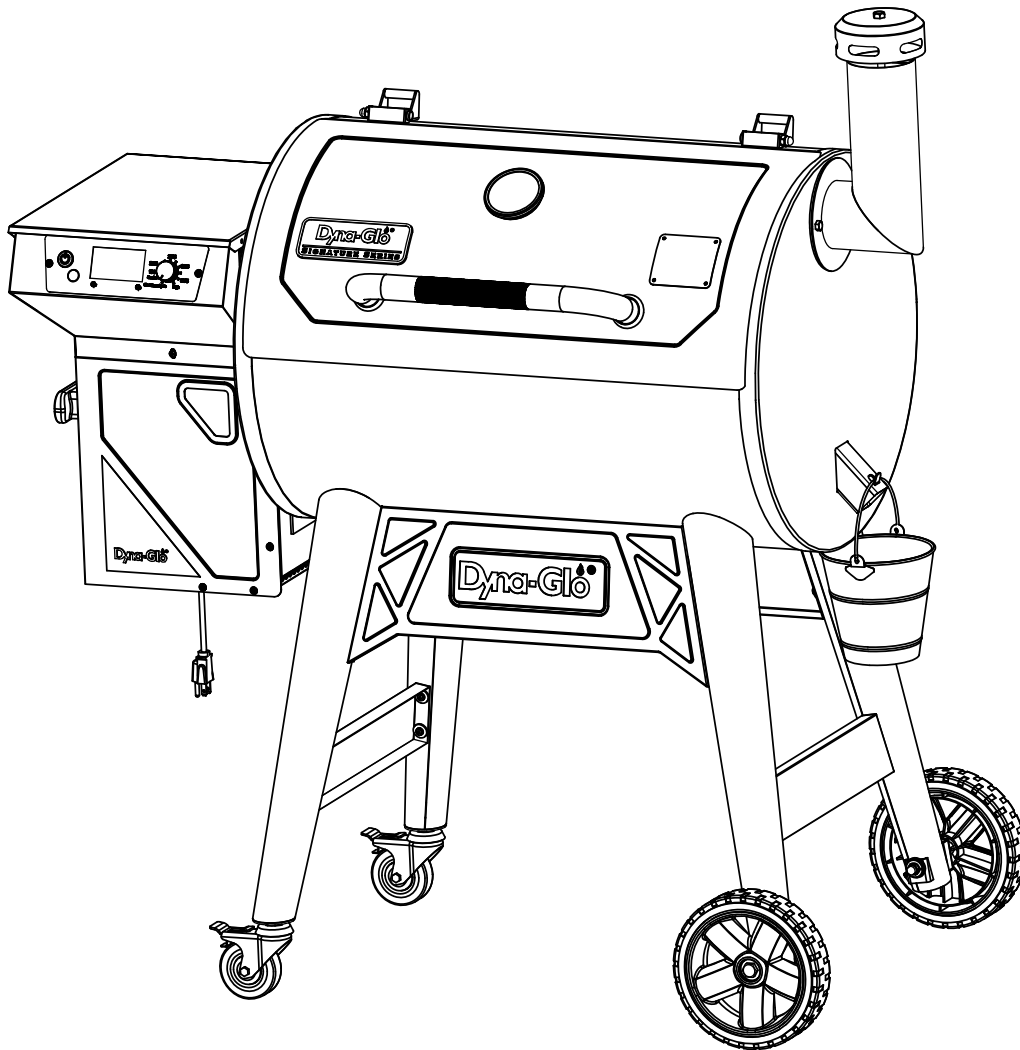


# Wood Pellet Grill and Smoker

MODEL # DGSS7002BPW/DGSS7002BPW-D/  
DGSS7002SPW/DGSS7002SPW-D  
DGSS7002BRPW/DGSS7002BRPW-D

Français p. 34

Español p. 68



**FOR OUTDOOR  
USE ONLY**  
Use only with Class A GFI  
(Ground Fault Interrupter)

**ATTACH YOUR RECEIPT HERE**

Serial Number \_\_\_\_\_ Purchase Date \_\_\_\_\_



**Questions, problems, missing parts?** Before returning to your retailer, call our customer service department at 1-877-447-4768, 8:00 a.m. – 4:30 p.m. CST, Monday – Friday or e-mail us at [customerservice@ghpgroupinc.com](mailto:customerservice@ghpgroupinc.com).

**A MAJOR CAUSE OF FIRES IS FAILURE TO MAINTAIN REQUIRED CLEARANCES (AIR SPACES) TO COMBUSTIBLE MATERIALS. IT IS OF UTMOST IMPORTANCE THAT THIS PRODUCT BE INSTALLED ONLY IN ACCORDANCE WITH THESE INSTRUCTIONS.**

**TABLE OF CONTENTS**

---

Safety Information .....	3
Package Contents .....	8
Hardware Contents .....	9
Assembly Instructions .....	10
Operating Instructions .....	18
Tips On Smoking .....	25
Care and Maintenance .....	27
Troubleshooting .....	28
Replacement Parts List .....	31
Warranty .....	33

Please read this entire manual before installation and use of the pellet fuel-burning appliance. Failure to follow these instructions could result in property damage, bodily injury or even death. Contact local building or fire officials about restrictions and installation inspection requirements in your area.

Assembler/Installer: This instruction manual contains important information necessary for the proper assembly and safe use of this appliance. Read and follow all warnings and instructions before assembling and using this appliance. **Leave these instructions with the consumer.**

**Consumer/User: Follow all warnings and instructions when using this appliance.**

**SAVE THESE INSTRUCTIONS**

## **⚠ SAFETY INFORMATION**

Please read and understand this entire manual before attempting to assemble, operate or install the product. If you have any questions regarding the product, call our customer service department at 1-877-447-4768, 8:00 a.m. - 4:30 p.m. CST, Monday - Friday.

### **⚠ CAUTION ⚠**

- **When using electrical appliances, basic precautions should always be followed to reduce the risk of fire, electrical shock, and injury to persons.**

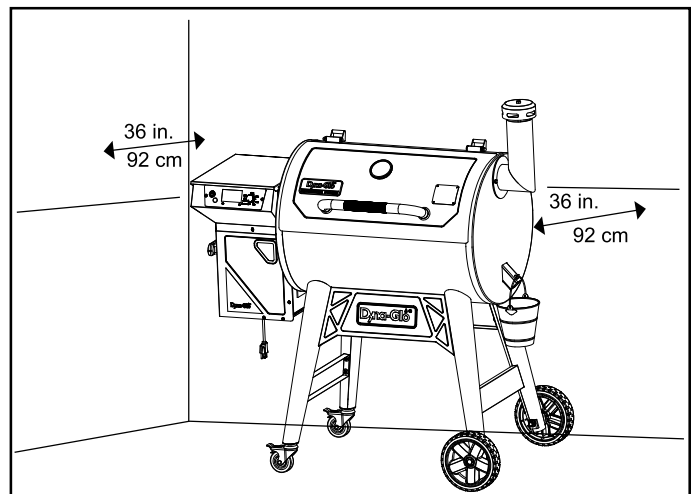
### **⚠ DANGER ⚠**

- **Failure to follow these instructions could result in fire or burn hazard which could cause property damage, personal injury or death.**

## **IMPORTANT SAFEGUARDS**

READ ALL INSTRUCTIONS, PRIOR TO USING THIS APPLIANCE

- **DO NOT** use this product for anything other than its intended purpose. It is **NOT** intended for commercial use. It is **NOT** intended to be installed or used in or on a recreational vehicle and/or boat.
- **DO NOT** operate this appliance with a damaged cord or plug or after the appliance malfunctions, has been dropped, or is damaged in any manner. If the supply cord is damaged, it must be replaced by the manufacturer, its service agent or similarly qualified person in order to avoid a hazard.
- **DO NOT** use appliance within 10 ft. (3 m) of a swimming pool, puddle, pond or other body of water.
- Keep appliance and electric controller dry and out of rain at all times.
- A minimum clearance of 36 in. (92 cm) to combustible material is required on the front, sides and back. It is very important to always maintain proper clearances to combustibles.
- This appliance is for outdoor use only in well-ventilated areas. **DO NOT** operate it under a roof, in a building, garage or any other enclosed area, or under overhead construction.



## SAFETY INFORMATION

---

- **DO NOT** load pellets into the fire pot by hand. This will create an unsafe condition and could cause bodily harm or damage to your appliance.
- **DO NOT** use the appliance during an electrical storm.
- This unit requires 120 volt, 60hz, 200w, 1.7 amp service.
- The appliance is to be connected to a three pronged, socket-outlet having an earthing contact.
- The appliance should be supplied through a residual current device (RCD) having a rated residual operating current not exceeding 30 mA. Use only with Class A GFI (Ground Fault Interrupter) protected circuit.
- Arrange the power cord away from traffic areas to ensure that it is not tripped over.
- To disconnect the power, turn the appliance off by pressing and holding the Power button (⏻). Wait for the appliance to complete the shut down cycle, then remove the plug from the outlet.
- **DO NOT** obstruct the flow of ventilated air for the appliance.
- **DO NOT** use this appliance as a heater.
- **DO NOT** use charcoal or similar combustible fuels with this appliance. This appliance is not designed for use with charcoal and a fire will result if charcoal is used during operation. The fire will create an unsafe condition and damage the appliance.
- For use with natural hardwood pellets for grilling. Never use heating pellets, charcoal pellets, or fuel with additives.
- Use caution when opening the lid of the appliance while in operation. Keep hands, face and body safe from hot steam or flare-ups. **DO NOT** inhale smoke.
- **DO NOT** wear loose clothing while operating the appliance. Tie back long hair while operating the appliance.
- **ALWAYS** wear shoes that fully cover your feet while operating the appliance.
- **DO NOT** touch hot surfaces. Use handles or knobs.
- To protect against electrical shock do not immerse cord or plugs in water or other liquid.
- This appliance is not intended for use by persons (including children) with reduced physical, sensory or mental capabilities, or lack of experience and knowledge, unless they have been given supervision or instruction concerning use of the appliance by a person responsible for their safety.
- Unplug from outlet when not in use and before cleaning. Allow to cool before putting on or taking off parts.
- The use of accessory attachments not recommended by the appliance manufacturer may cause injuries.
- **DO NOT** use indoors.
- **DO NOT** let cord hang over edge of table or counter, or touch hot surfaces.
- **DO NOT** place on or near a hot gas or electric burner, or in a heated oven.
- Extreme caution must be used when moving an appliance containing hot oil or other hot liquids.

## SAFETY INFORMATION

---

- **DO NOT** use appliance for other than intended use.
- Use extreme caution when removing the cooking grates or grease pan or disposing of hot grease.
- **DO NOT** clean with metal scouring pads. Pieces can break off the pad and touch electrical parts, creating a risk of electric shock.
- Fuel, such as charcoal briquettes, is not to be used with appliance.
- Use only on properly grounded outlet.
- Be sure that handles are assembled and fastened properly. See instructions regarding handles on Page 12.

## SAVE THESE INSTRUCTIONS.

### **WARNING**

- **DO NOT** use 16 or 18 gauge extension cords. Damage to household wiring and/or fire could result.

### THE USE OF AN EXTENSION CORD IS NOT RECOMMENDED.

#### READ ALL INSTRUCTIONS PRIOR TO USING AN EXTENSION CORD WITH THIS APPLIANCE

- Use only **OUTDOOR** type with 3 prong grounding plug, rated for 15 amperes or more, approved by UL, marked with a W-A and a tag stating "Suitable for Use with Outdoor Appliance".
- Use the shortest length extension cord required. Do not connect 2 or more extension cords together.
- Do not let cord hang over edge of table top or other items where it can be pulled by children or tripped over.

#### **Ground Fault Interrupter**

- Since 1971, the National Electric Code (NEC) has required Ground Fault Interrupter devices on all outdoor circuits.
- If your residence was built before 1971, check with a qualified electrician to determine if a Ground Fault Interrupter protector exists.
- Do not use this appliance if the circuit does not have Class A GFI protection.
- Do not plug this appliance into an indoor circuit.

## SAFETY INFORMATION

---

### GENERAL SAFETY

#### READ ALL INSTRUCTIONS PRIOR TO USING THIS APPLIANCE

- This appliance is for outdoor use only in well-ventilated areas. **DO NOT** operate it under a roof, in a building, garage or any other enclosed area, or under overhead construction.
- Before each use, check that no dead leaves or debris are under the appliance.
- Keep a fire extinguisher near this product at all times.
- Always unplug the appliance when not in use.
- Allow the appliance and its components to cool completely before conducting any routine cleaning or maintenance.
- **DO NOT** use water or other liquid spray to clean the appliance without first unplugging the unit.
- Allow the appliance to cool to 115°F (45°C) before moving or storing. Use caution when lifting and moving the appliance to avoid back strain or back injury.
- **DO NOT** move the appliance while it is in use.
- When not in use, the appliance should be kept out of the elements or protected with a waterproof cover. Allow the appliance to completely cool before placing the cover. Store this appliance in a dry, protected location when possible.
- Use of accessory attachments not recommended by the appliance manufacturer may lead to injury or property damage.
- Never use gasoline, gasoline-type lantern fuel, kerosene, charcoal lighter fluid, or similar liquids to start or 'freshen up' a fire in this appliance. Keep all such liquids well away from the appliance when in use.

### CAUTION

**NEVER use gasoline, gasoline-type lantern fuel, kerosene, charcoal lighter fluid, or similar liquids to start or 'freshen up' a fire in this appliance. Keep all such liquids well away from the appliance when in use.**

**! WARNING !**

**To avoid serious injury:**

- Always keep a fire extinguisher nearby, in case an unexpected fire occurs.
- While cooking, the appliance must be on a level, stable, noncombustible surface in an area clear of combustible material, including long or dry grass.
- The use of alcohol, prescription or nonprescription drugs may impair the user's ability to properly assemble and safely operate this appliance.
- **DO NOT** move the appliance while it is in use.
- **DO NOT** store and use this appliance near gasoline or other combustible liquids or where other combustible vapors may be present.
- The appliance should only be used in well-ventilated areas.
- **DO NOT** use this appliance as a heater.
- When using the direct cook flywheel, **DO NOT** leave the appliance unattended while in use. Keep children and pets away from the appliance at all times.
- This appliance will be hot during and after use. Use insulated oven mitts or gloves for protection from hot surfaces or splatter from cooking liquids.
- **DO NOT** load pellets into the fire pot by hand.
- **DO NOT** keep the lid closed for longer than 1 minute when the grease tray flywheel is fully open.

**CALIFORNIA PROPOSITION 65**

**! WARNING !**

This product and the fuels used to operate this product (only wood pellet), and the products of combustion of such fuels, can expose you to chemicals including carbon black, which is known to the State of California to cause cancer, and carbon monoxide, which is known to the State of California to cause birth defects or other reproductive harm.

For more information go to [www.p65Warnings.ca.gov](http://www.p65Warnings.ca.gov)

**! DANGER !**

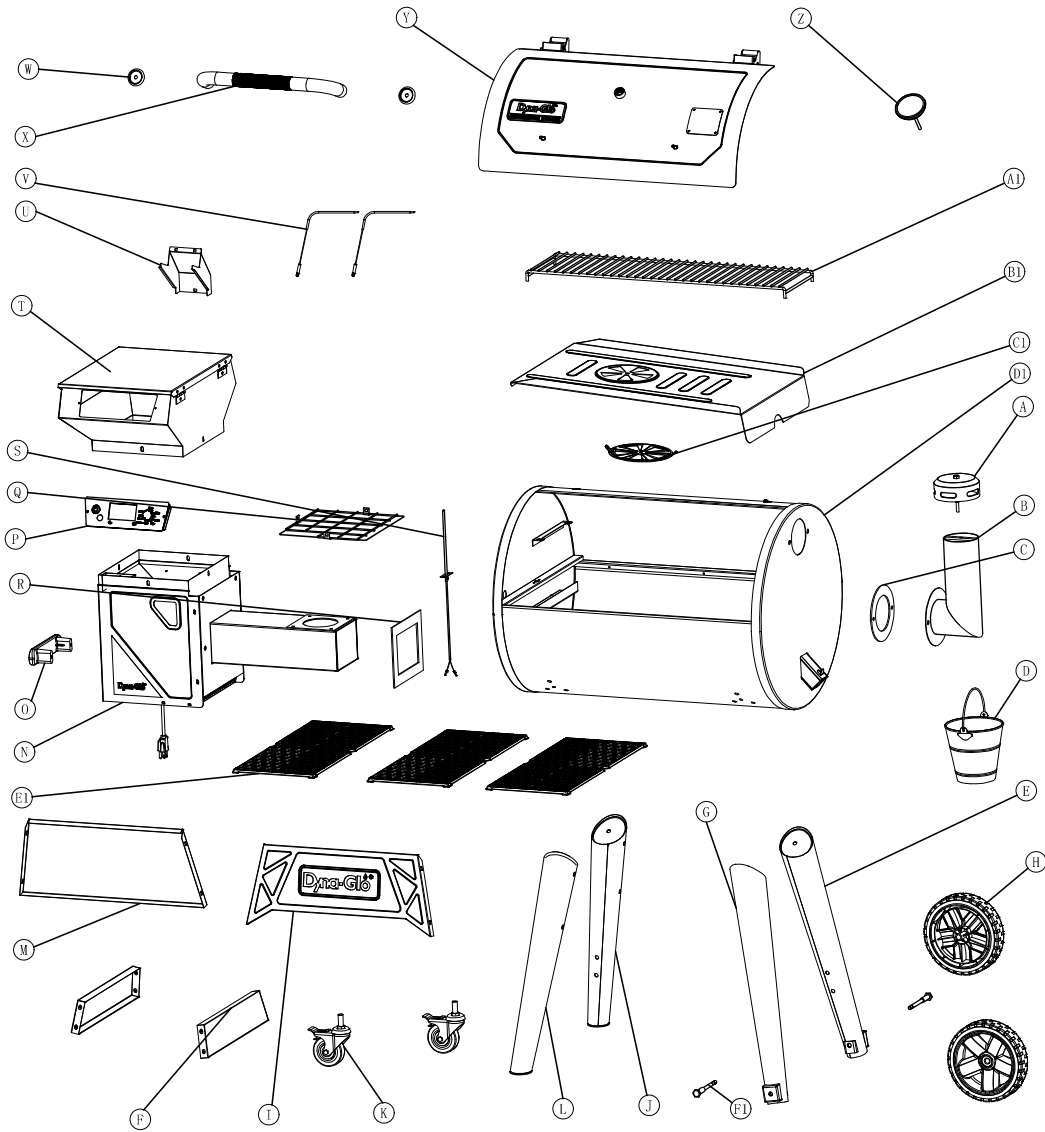
**In case of fire, unplug appliance from outlet and allow fire to burn out. Do not use water to put out a fire in this appliance.**

**To avoid electrical shock, disconnect electric cord before cleaning the appliance. Never immerse electric controller or heating element in any liquid.**

**To avoid the possibility of burns, make sure the appliance is completely cooled before removing and/or cleaning internal cooking components.**

**DO NOT use steel wool or wire brushes to clean the inside of the appliance. Pieces can break off and touch electrical parts creating a risk of electric shock.**

# PACKAGE CONTENTS







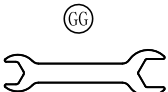
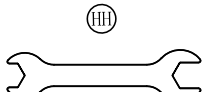













PART	DESCRIPTION	QUANTITY	PART	DESCRIPTION	QUANTITY
A	Chimney Cap Assembly	1	Q	Hopper Screen	1
B	Smoke Stack Assembly	1	R	Auger Housig Insulation	1
C	Smoke Stack Gasket	1	S	Temperature Probe	1
D	Grease Pail	1	T	Upper Hopper Assembly	1
E	Right Rear Leg	1	U	Control Panel Shield	1
F	Side Panel	2	V	Meat Probe	2
G	Right Front Leg	1	W	Lid Handle Bezel	2
H	Wheel	2	X	Lid Handle	1
I	Front Panel	1	Y	Lid	1
J	Left Rear Leg	1	Z	Analog Temp Gauge	1
K	Casters	2	A1	Warming Rack	1
L	Left Front Leg	1	B1	Grease Tray	1
M	Rear Panel	1	C1	Flywheel	1
N	Lower Hopper & Firepit Assembly	1	D1	Main Grill Body	1
O	Side Handle	1	E1	Cooking Grate	3
P	Control Panel	1	F1	Wheel Axle	2



## HARDWARE CONTENTS

---

 AA 1/3" Washer Qty.8	 BB 1/3" Spring Washer Qty.2	 CC 5/16" Cap Nut Qty.2	 DD 1/4"x3/5" Bolt Qty.4	 EE 1/4" Spring Washer Qty.4	 FF 1/4"x3/5" Bolt+Spring Washer Qty.16
 GG Open End Wrench1 Qty. 1	 HH Open End Wrench2 Qty. 1	 II 1/4" Washer Qty.4	 JJ 1/4"x3/5" Hexagon Bolt Qty.4	 KK ST3.9x8mm Bolt Qty.5	 LL 8#x3/8" Bolt Qty.4
 MM 8# Nut Qty.4	 NN 1/4"x2-3/8" Bolt Qty.2	 OO 1/4" Nut Qty.2	 PP 1/4"x5/8" Bolt Qty.1	 QQ 1/4" Gasket Qty.1	 RR 1/4" Spring Washer Qty.1
 SS 1/4" Nut Qty.1					

## PREPARATION BEFORE ASSEMBLY

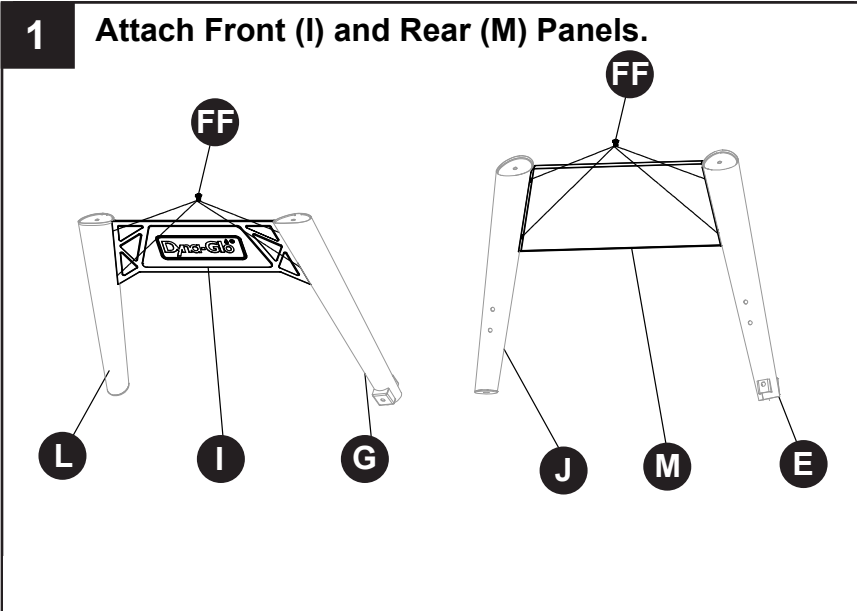
---

Before beginning assembly of product, make sure all parts are present. Compare parts with package contents list and hardware contents list. If any part is missing or damaged, do not attempt to assemble the product. Please read and understand this entire manual before attempting to assemble, operate or install the product. If you have any questions regarding the product, call our customer service department at 1-877-447-4768, 8:00 a.m.- 4:30 p.m. CST, Monday - Friday.


**Estimated Assembly Time: 45 minutes**

# ASSEMBLY INSTRUCTIONS

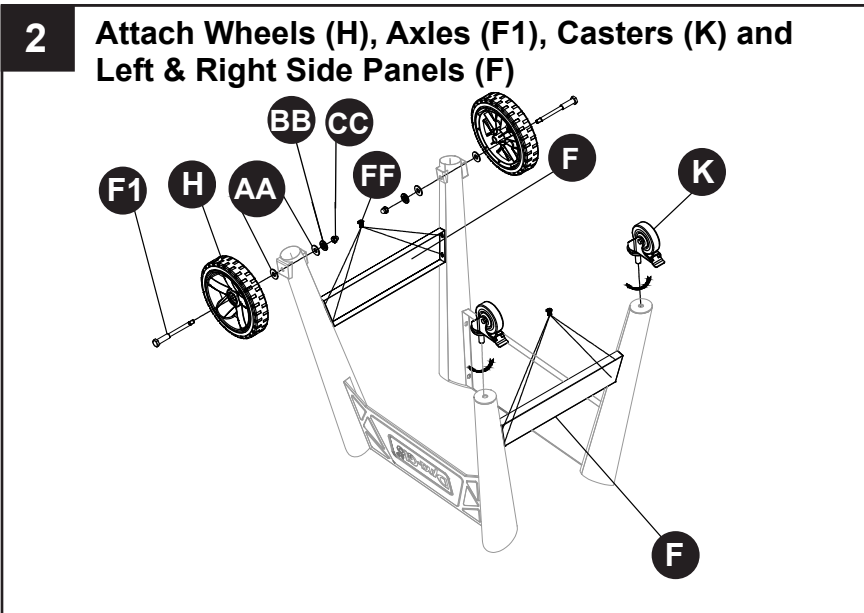
## 1 Attach Front (I) and Rear (M) Panels.



### Hardware Used


**FF** 1/4"x3/5" Bolt+Spring Washer  x 8


## 2 Attach Wheels (H), Axles (F1), Casters (K) and Left & Right Side Panels (F)




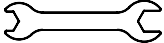
### Hardware Used

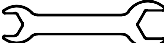
**FF** 1/4"x3/5" Bolt+Spring Washer  x 8

**AA** 1/3" Washer  x 4

**BB** 1/3" Spring Washer  x 2

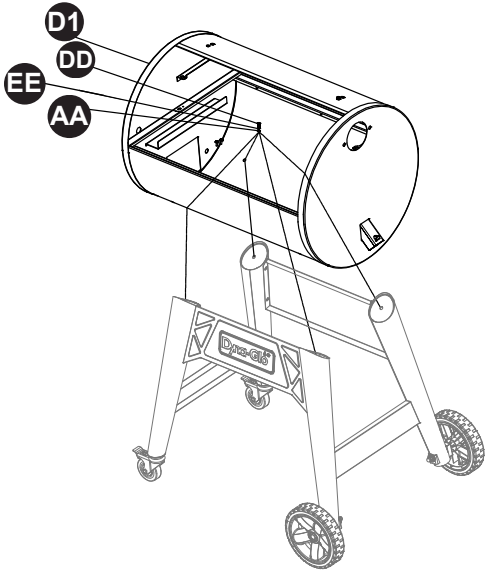
**CC** 5/16" Cap Nut  x 2

**GG** Open End Wrench 1 




**HH** Open End Wrench 2 

# ASSEMBLY INSTRUCTIONS

## 3 Attach Main Grill Body

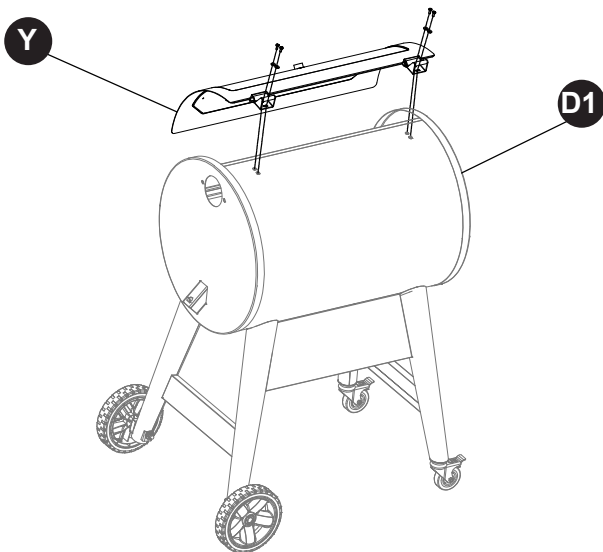


## Hardware Used

<b>AA</b>	1/3" Washer		x 4
<b>DD</b>	1/4"X3/5" Bolt		x 4
<b>EE</b>	1/4" Spring Washer		x 4

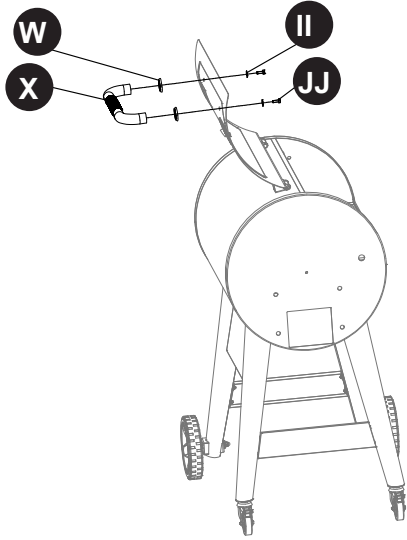


## 4 Attach Lid





# ASSEMBLY INSTRUCTIONS

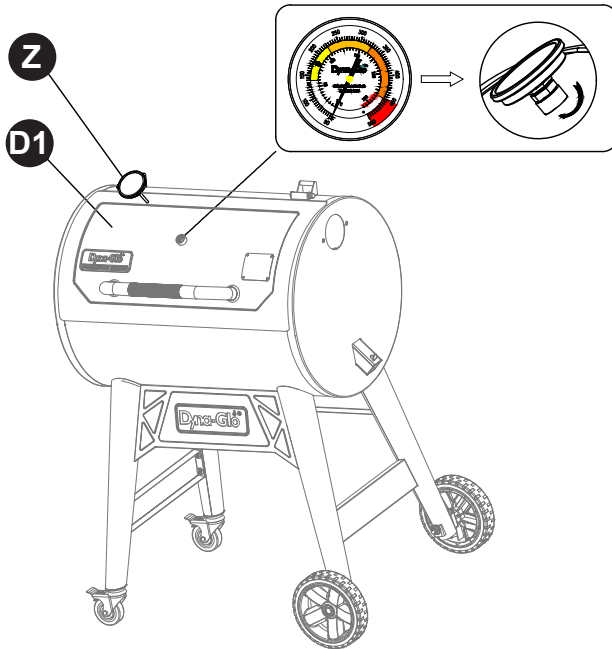
## 5 Attach Lid Handle (X) and Bezels (W)



## Hardware Used

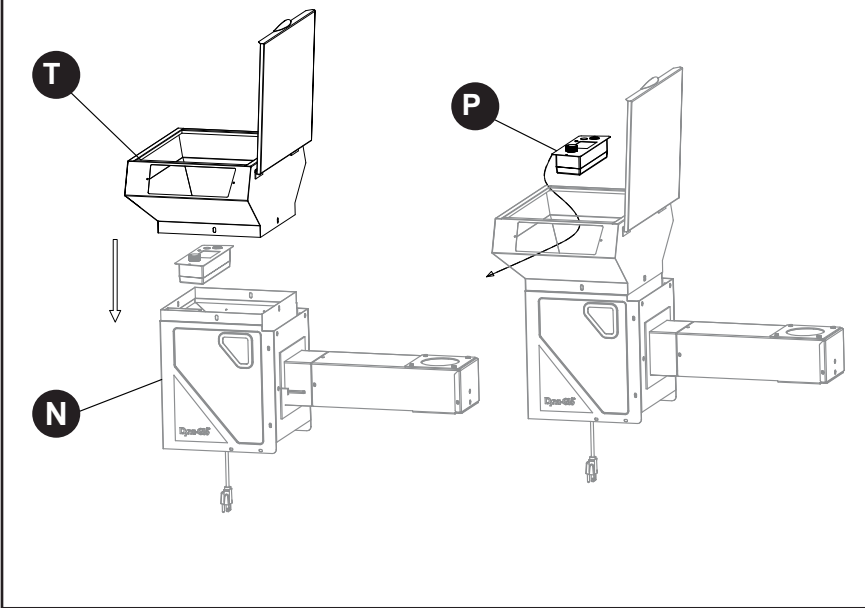
- |           |                         |   |     |
|-----------|-------------------------|---|-----|
| <b>II</b> | 1/4" Washer             |  | x 2 |
| <b>JJ</b> | 1/4"x 3/5" Hexagon Bolt |  | x 2 |

## 6 Attach Temp Gauge (Z)

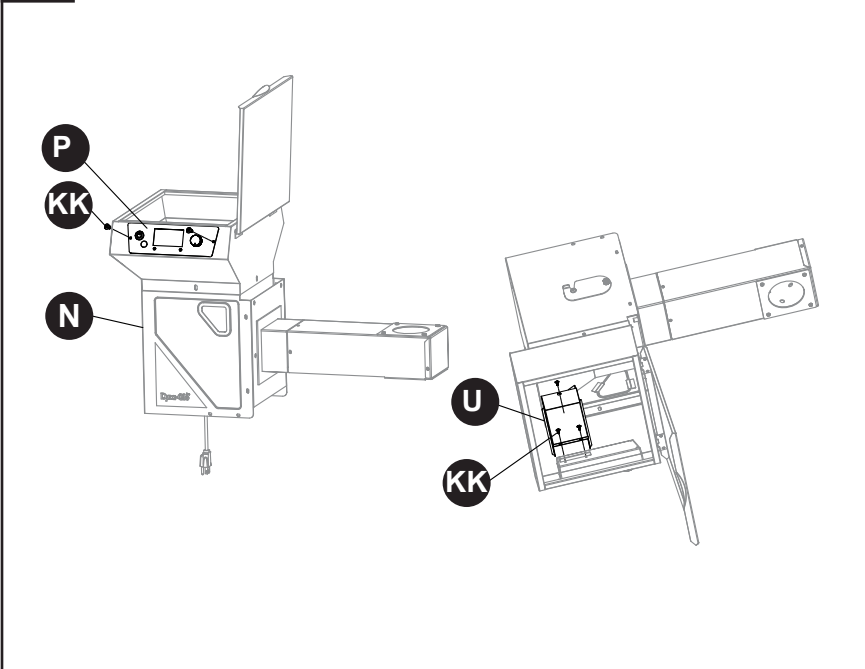


# ASSEMBLY INSTRUCTIONS


## 7 Attach Upper Hopper Assembly (T) and Thread Control Panel (P) Through Opening



## 8 Secure Control Panel (P) and Wire Shield (U)






### Hardware Used

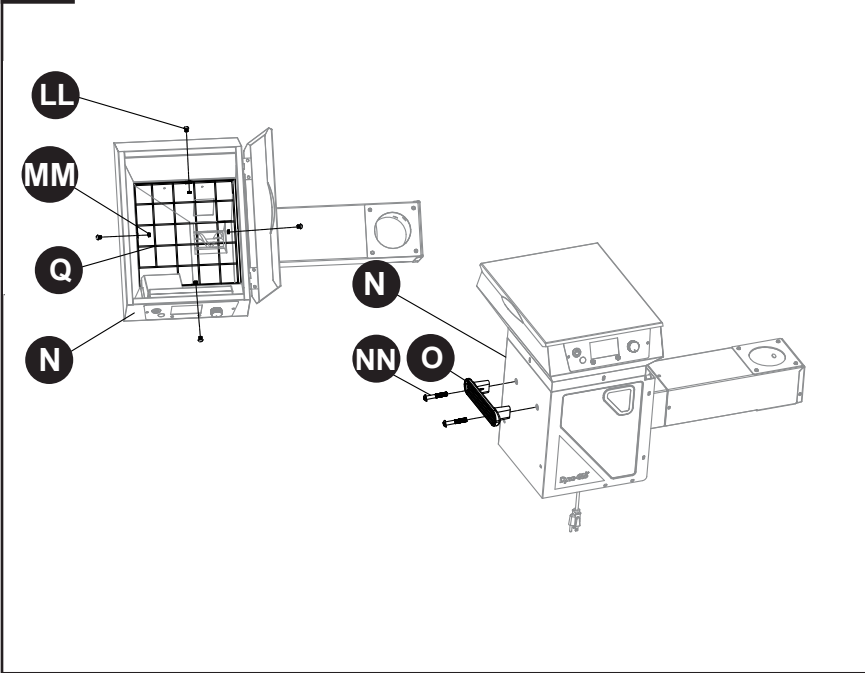
**KK** ST3.9x8mm Bolt  x 5

# ASSEMBLY INSTRUCTIONS

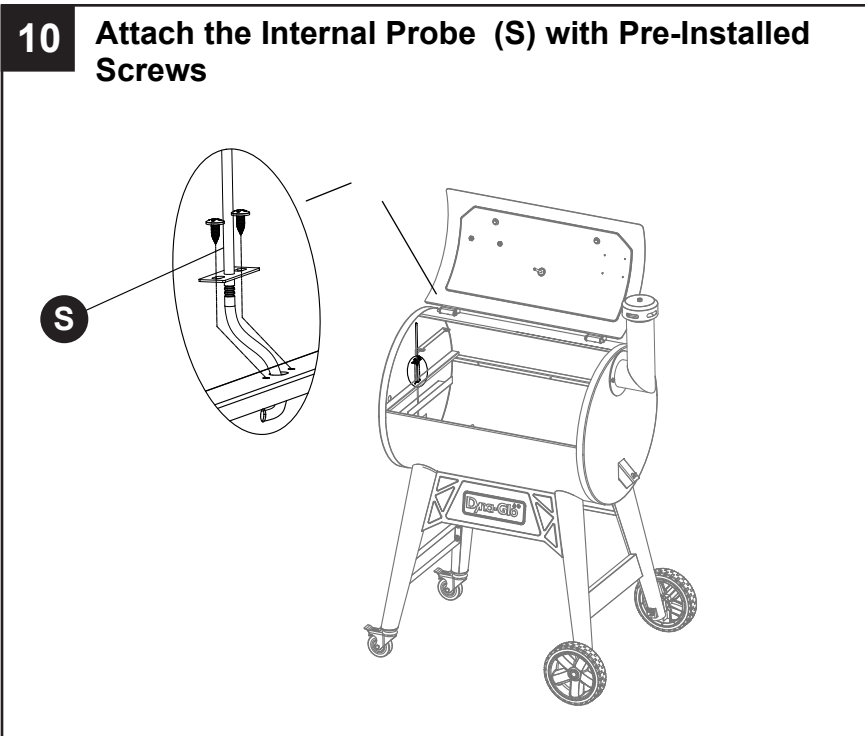
## Hardware Used

<b>LL</b>	8#x3/8" Bolt		x 4
<b>MM</b>	8# Nut		x4
<b>NN</b>	1/4"x2-3/8" Bolt		x 2

### 9 Attach Safety Gate (Q) & Side Handle (O)





### 10 Attach the Internal Probe (S) with Pre-Installed Screws

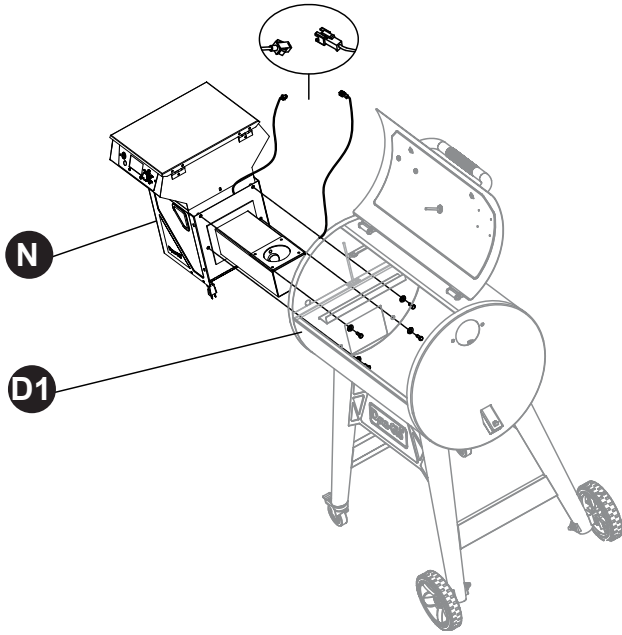


# ASSEMBLY INSTRUCTIONS







## Preinstalled Hardware Used

1/4" Washer		x 4
1/4"x3/4" Hexagon Bolt		x 4

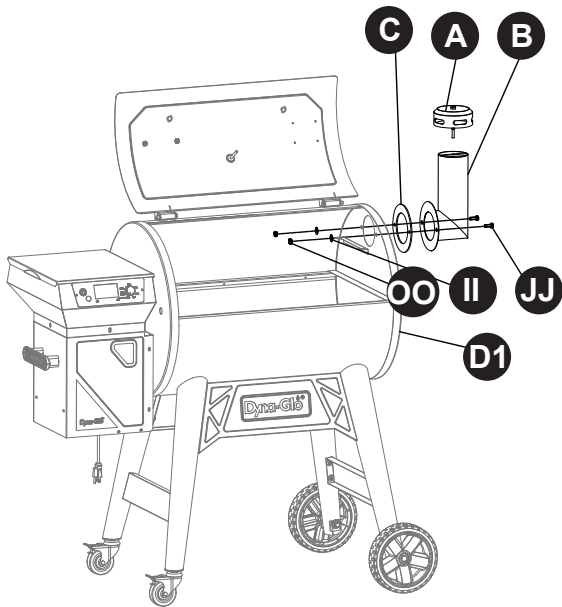
### 11 Attach the Hopper Assembly to Main Grill Body and Connect the Temperature Probe (S) Harness



## Hardware Used

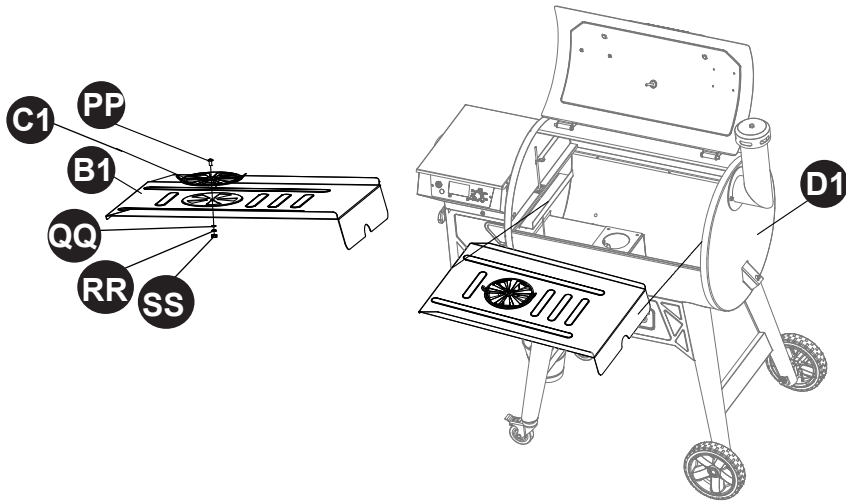
	1/4" Washer		x2
	1/4"x3/5" Hexagon Bolt		x2
	1/4" Nut		x2

### 12 Attach Smoke Stack (B), Cap (A) and Smoke Stack Insulation (C)







# ASSEMBLY INSTRUCTIONS

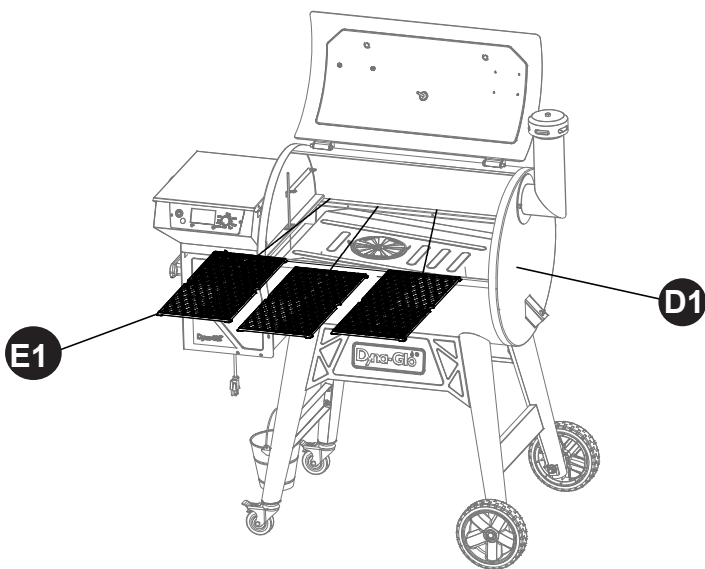
## 13 Attach Flywheel (C1) and Insert Grease Tray (B1)



### Hardware Used

PP	1/4"x5/8" Bolt		x 1
QQ	1/4" Gasket		x 1
RR	1/4" Spring Washer		x 1
SS	1/4" Nut		x 1

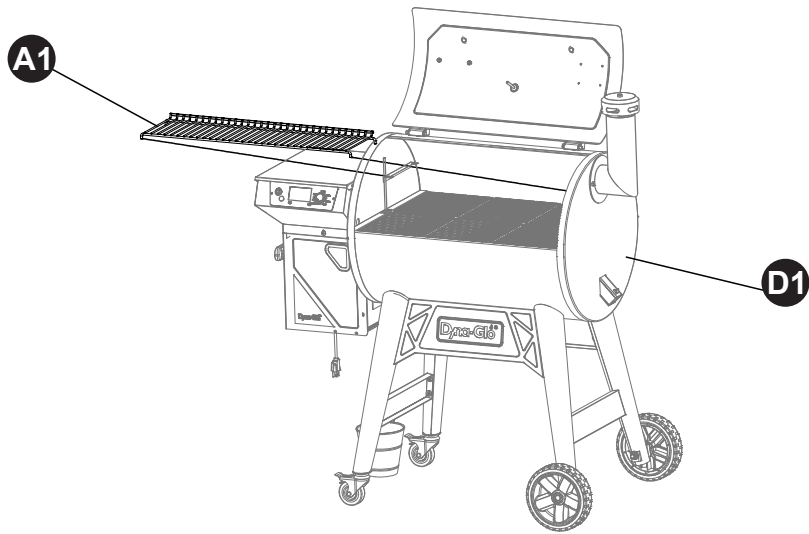
## 14 Insert Cooking Grates (E1)



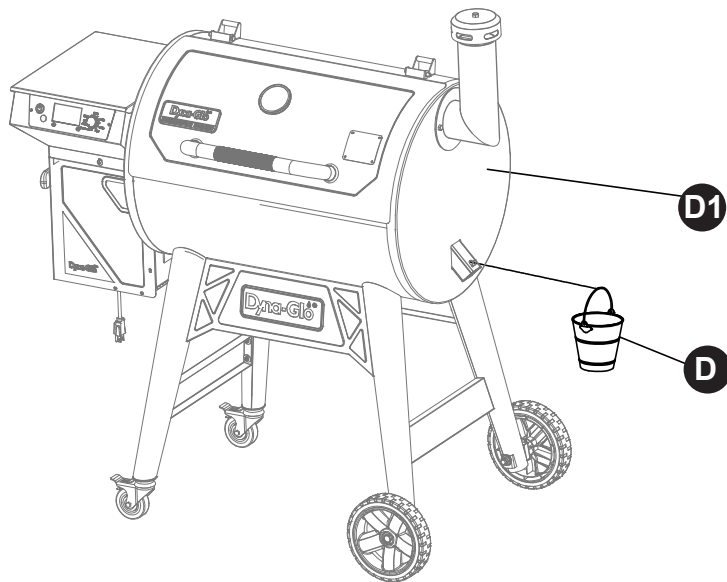


# ASSEMBLY INSTRUCTIONS

## 15 Insert Warming Rack (A1)



## 16 Install Grease Pail (D)



## OPERATING INSTRUCTIONS

---

### READ ALL INSTRUCTIONS PRIOR TO USING THE APPLIANCE FOR THE FIRST TIME

#### Before Initial Use:

Remove all packaging, hang tags, plastic straps, and sales stickers if present. Do not use sharp tools.

Wash cooking grates with warm, soapy water, rinse and allow to completely dry before placing them back into the appliance.

Prior to initial use, it is important to “season” your appliance. Seasoning helps eliminate potential factory residue that occurs during production and enhances flavoring, durability and overall performance. Refer to Page 25 for the time and cook temperature required for seasoning.

#### Before Each Use:

### READ ALL INSTRUCTIONS PRIOR TO USING THIS APPLIANCE

- After long periods without use, or when removing from storage, it is essential to perform a thorough check of the auger from inside the hopper and fire pot. Look for any signs of blockage by foreign objects and check that air is flowing properly into and out of the fire pot.
- Use the rear hopper door to remove pellets and run the appliance to clear pellets from the auger, when placing the unit in storage or between use.
- Always keep the grill covered when not in use and avoid getting water into the hopper. Pellets will greatly expand, if water is introduced inside the hopper. Long exposure to humidity will also cause the pellets to expand and may clog or jam the auger during use. See the Care and Maintenance section on Page 26 for more information.
- The appliance must be on a level, stable, noncombustible surface in an area clear of combustible material, including long or dry grass.
- Avoid moving the appliance over bumpy or uneven surfaces. Damage to the appliance may occur as a result.
- To prevent household circuit breakers from tripping, keep electric appliance controls and cord connections dry and do not use other electrical products on the same circuit.
- Lightly coat each cooking grate with vegetable oil or vegetable oil spray, to prevent foods from sticking to the grates during cooking. Remove the grates before coating.
- **DO NOT** cover the cooking grates with metal foil.
- **DO NOT** remove the safety screen inside the hopper.
- **DO NOT** modify, drill, expand or reposition the fire pot or any of the internal or external components of this appliance. Failure to follow this warning could result in injury or create a fire hazard and will void your warranty.

## OPERATING INSTRUCTIONS

# ⚠ WARNING ⚠

Failure to follow all manufacturer's instructions could result in serious personal injury and/or property damage.

Keep hands, fingers, loose jewelry or loose clothing away from the auger.

Use care when operating your appliance.

To avoid possible flare-ups or grease fires, clean the grease pan before use.

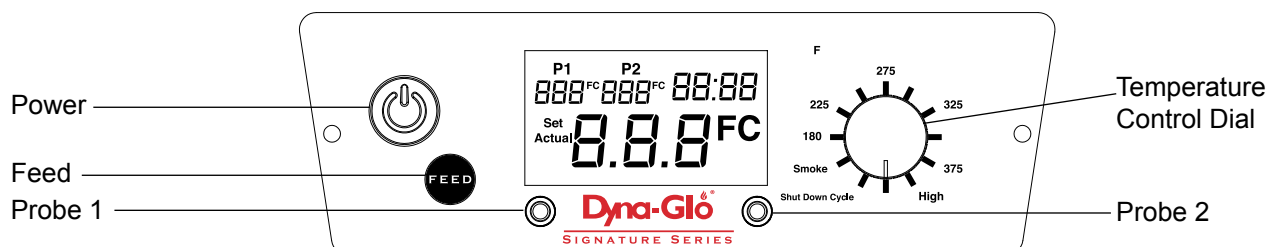
Read and follow all the information and safeguards in this product guide before attempting to assemble or operating this appliance.

**DO NOT** manually add pellets to the firepot by hand. This will create a fire risk and may cause bodily injury and damage to your appliance.

### Safety Guidelines

- Refer to the "Troubleshooting Section" on Pages 27 and 28 for operational problems.
- **DO NOT** keep the lid closed for more than one minute when the grease tray flywheel is completely open. This will create an unsafe condition and may cause bodily harm and damage to your appliance.
- **DO NOT USE CHARCOAL.** This appliance is not designed for use with charcoal or similar combustible fuels and a fire will result if charcoal is used during operation. The fire will create an unsafe condition and damage the appliance. Use **ONLY** wood pellets designed for use with this appliance.
- **DO NOT** use lighter fluid, petrol, gasoline, kerosene or any flammable liquids or gels, to start or accelerate a fire.
- In order to maintain optimal performance, cleaning the smoker after each use is highly recommended. Wait until the appliance has completely cooled before cleaning. Refer to the Care and Maintenance section on Page 26.

### CONTROL PANEL OPERATING INSTRUCTIONS



- 🔌 – Turns appliance on and off
- **FEED** - Engages the auger for delivering pellets to the fire pot.
- **Insert for Probe 1 (Left Side) & Probe 2 (Right Side).** The temperature for each probe is shown on the control panel display when probes are in-use.
- **Temperature Control Dial**

## OPERATING INSTRUCTIONS

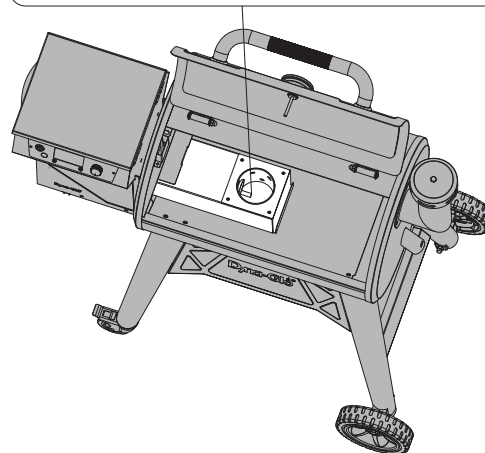
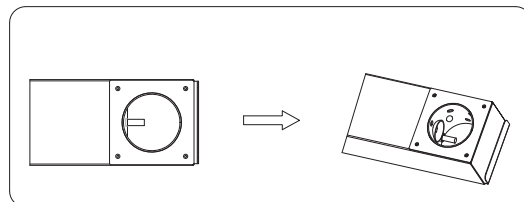
---

### Preparing The Grill Before Cooking

#### Cooking System Check

Before cooking on your pellet grill, be sure to follow these instructions for first time use or when the hopper has run out of pellets. A failed ignition will occur if these instructions are not followed. Remove all packaging, hang tags, plastic straps, and sales stickers if present. Do not use sharp tools.

1. Remove the cooking grates and grease tray from the inside of the grill.
2. Open the hopper lid and check for any foreign objects that may block the auger from turning. If no foreign objects are found, fill the hopper with wood grilling pellets. Only use pellets designed for use with pellet grills or smokers. **DO NOT** place pellets in the crucible by hand.
3. Plug the power cord into a GCFI outlet. Press the Power Button to turn the unit ON and turn the Temperature Control Dial to the SMOKE position.
  - A. Locate the fire pot inside the grill and visually check to see if the auger is turning.
  - B. Carefully place your hand above the fire pot to feel for air flow. Do not place your hands or fingers inside the fire pot as injury may occur.
  - C. Within two minutes, the ignitor should create smoke and a burning smell which indicates the ignitor is getting hot. Do not touch the ignitor to verify as this will cause injury.
4. After verifying that the auger is turning, the ignitor is on and air is flowing through the fire pot, turn the dial to "Shut Down Cycle". The control panel will display "OFF" and grill will automatically begin shutting down with the fan blowing, for approximately 10 minutes. You do not have to wait for the cycle to complete before turning the grill back on.
5. Once the grill has cooled, re-install the grease tray and cooking grates into the grill. If needed, wash the cooking grates with warm, soapy water, rinse and allow to completely dry before placing them back into the grill.



#### Pre-Seasoning The Grill

Once the Cooking System Check is complete and your hopper has properly delivered pellets to the fire pot, it is highly recommended that the grill is pre-seasoned before cooking. Seasoning helps eliminate potential factory residue that occurs during production and enhances flavoring, durability, and overall performance.

Turn on the grill by pressing the Power Button. Turn the control dial to the "High" position and allow the grill to burn for at least 45 minutes. Your grill is now ready to use.

**WARNING:** DO NOT leave the flywheel open during the pre-seasoning process.

## OPERATING INSTRUCTIONS

---

### Temperature Settings

Understanding each of the temperature settings will enhance your grilling and smoking experience. Required temp levels will vary, based on the size and type of food. To ensure the safe consumption of food, utilize the meat probes to determine proper food temperatures. Refer to the guide on Page 25 for cooking and meat temperatures.

**NOTE:** Windy or cold weather conditions may affect pre-heat and overall cook times. Allow plenty of time for pre-heating the grill prior to cooking. Avoid frequently opening the lid, unless absolutely necessary.

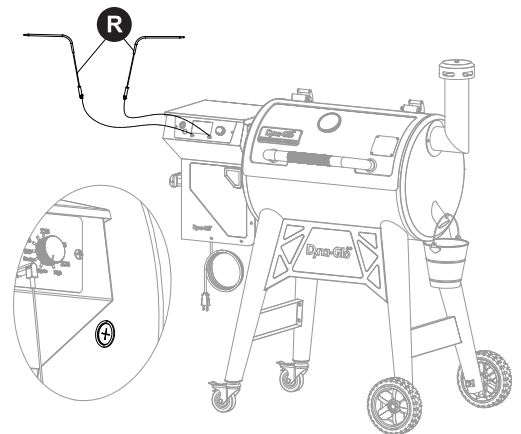
### Using the FEED Button

If opening the lid is anticipated, press and hold the “FEED” button for 10-15 seconds and wait at least one minute before pressing again. This will engage the auger and deliver pellets to the fire pot, thus bringing the temperature up to compensate for heat loss. The temperature will level out, per the desired setting. **CAUTION:** Pressing the FEED button for more than the recommended time and frequency will over-load the fire pot and could cause a fire.

### Using the Meat Thermometer

Your grill is equipped with two meat probes and two probe jacks on the control panel. The left jack will read as "P1" on the display and the right jack is "P2".

To gain the most accurate reading possible, push the probe towards the thickest part of the meat and allow at least 30 seconds for the probe to measure the actual meat temperature. If your meat has a bone, avoid touching the end of the probe to the bone while cooking.

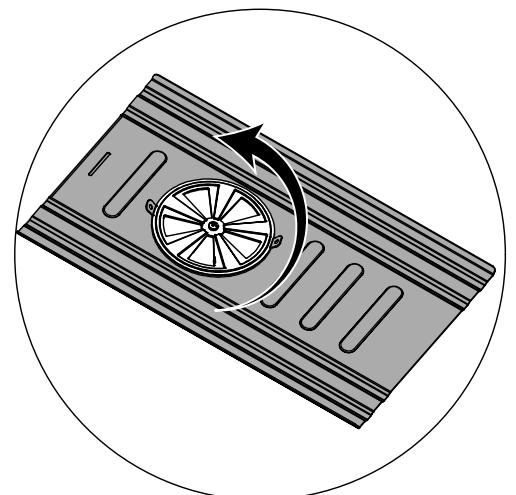


Refer to the chart on Page 25 for proper food temperatures. For more information on food safety call: USDA Meat and Poultry Hotline at 1-888-MPHOTLINE (888-674-6854) In Washington, DC Or E-mail: [mpholine.fsis@usda.gov](mailto:mpholine.fsis@usda.gov) Or visit the USDA website at [www.fsis.usda.gov](http://www.fsis.usda.gov)

### Direct Cook System

Your pellet grill is equipped with a damper flywheel on the grease tray. Opening the damper will quickly raise the cooking surface temperature for searing or grilling thicker pieces of meat. Use caution when opening the damper. When in use, the appliance can become very hot. Use heat resistant gloves or metal tongs to remove the cooking grates and when opening or closing the damper. Use caution when cooking with the flywheel open while the lid is closed.

**⚠ WARNING: DO NOT** keep the lid closed for more than one minute while the flywheel is open. Never leave grill unattended while using the direct cook system.



### ⚠ CAUTION ⚠

- Do not use sharp or pointed tools to clean appliance.
- Do not use abrasive oven cleaners, steel wool or metal brushes to clean porcelain grates or appliance body. They will damage the finish.
- Replace damaged part(s) only with Dyna-Glo certified replacement parts. Do not attempt to repair damaged parts.
- The appliance becomes **HOT** during use. Use heat resistant gloves while accessing the inside of the appliance.

#### Shutting Off Your Appliance

1. When cooking is complete, you may choose to burn off any residual grease or food residue. Simply turn the temperature control dial to 450F and run the unit for at least 10 minutes for normal use or 20 minutes for foods that resulted in high amounts of grease. Burning the residue after cooking will minimize the risk of a grease fire the next time the grill is used. Be sure to set a timer for the desired burn-off, so you can resume the rest of the shut-down process.  
**WARNING: DO NOT** leave the flywheel open, when performing a burn-off.
2. Turn the dial to "Shut Down Cycle", but **DO NOT** press the power button. The control panel will display "OFF", but the fan will continue to blow air into the fire pot to extinguish the pellets. Allow the unit to run, until the shut-down cycle is complete. Unplug the unit, once the shut-down cycle is complete.

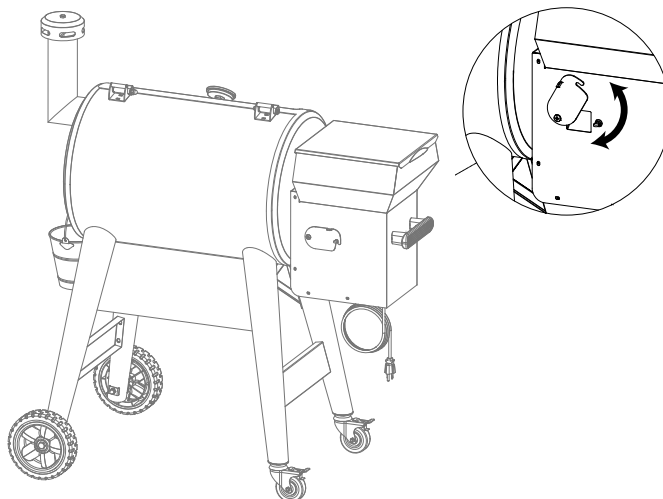
**WARNING!** DO NOT PRESS THE POWER BUTTON OR UNPLUG THE APPLIANCE WHILE THE FAN IS STILL WORKING ON THE SHUT DOWN CYCLE. THE GRILL WILL AUTOMATICALLY SHUT OFF WHEN THE CYCLE IS COMPLETE. INTERRUPTION OF THE SHUT DOWN CYCLE COULD RESULT IN A FIRE IN THE HOPPER CHAMBER.

Wait until the unit has completely cooled before placing a cover or moving the unit to storage.

#### Clearing The Hopper

Removing the pellets from the hopper may be necessary, if inclement weather or high humidity is expected. To empty the hopper simply locate the rear hatch on the back of the hopper.

Before opening the hatch, hold a container near the opening to prevent pellets from falling to the ground. Slowly open the hatch and allow the pellets to exit the hopper. Ensure that the hatch is completely closed, after clearing the hopper.



#### Ash Removal

Ash will accumulate in the fire pot during and after each use. Always inspect the fire pot before use. Always wait until the ashes are completely cooled before removing. Ashes should be placed in a metal container with a tight fitting lid. The closed container of ashes should be placed on a noncombustible floor or on the ground, well away from all combustible materials, pending final disposal. If the ashes are disposed of by burial in soil or otherwise locally dispersed, they should be retained in the closed container until all cinders have thoroughly cooled.

## OPERATING INSTRUCTIONS

---

### Wood Creosote

Wood Creosote is a soot or tar-like substance that produces black smoke when burning. Creosote is formed when burning pellets release organic vapors that combine with ambient moisture. As the vapor mix cools, it will accumulate inside the cooking chamber and especially the grease exhaust and smoke stack. When creosote is ignited, it creates an extremely hot fire. Accumulated grease may also combine with the creosote build-up and contribute to a fire. Creosote may also form when the fire pot is poorly maintained, the fire pot is over-filled with pellets, or when air-flow to the fire pot is partially or completely blocked. **It becomes dangerous to operate the appliance, when smoke or flames become dark, sooty, or when the fire pot is overfilled with pellets.** If a fire does occur, turn the unit off, keep the lid closed until the flames are extinguished. Allow the unit to cool down before moving. Thoroughly inspect and clean the unit inside the cooking chamber, lid and smoke stack. Clean all internal cooking components, as well. The smoke stack and grease exhaust should be inspected at least twice a year to determine when grease and/or creosote buildup has occurred. Refer to the Care and Maintenance section for additional information.

### Carbon Monoxide

Carbon monoxide is a colorless, odorless, tasteless gas produced by burning gasoline, wood, propane, charcoal or other fuel. Improperly ventilated appliances, particularly in a tightly sealed or enclosed space, may allow carbon monoxide to accumulate to dangerous levels. Signs and symptoms of carbon monoxide poisoning may include: dull headache, weakness, dizziness, nausea or vomiting, shortness of breath, confusion, blurred vision or loss of consciousness. Seek immediate medical attention if any of these conditions exist while using or standing near this appliance.

Carbon monoxide poisoning can be made worse with drug use or alcohol consumption.

Carbon monoxide is especially toxic to mother and child during pregnancy, infants, the elderly, smokers, and people with blood or circulatory system problems, such as anemia, or heart disease.

**Error Codes - Refer to the Troubleshooting section (Page 29) for additional information.**

#### **LEr (Low Temperature Alarm )**

Grill temperature fell below 120° for more than 20 minutes.

#### **HEr (High Temperature Alarm )**

Grill temperature reaches more than 550°.

#### **Er 1**

Temperature Probe is not properly connected to the controller board.

#### **Er 2**

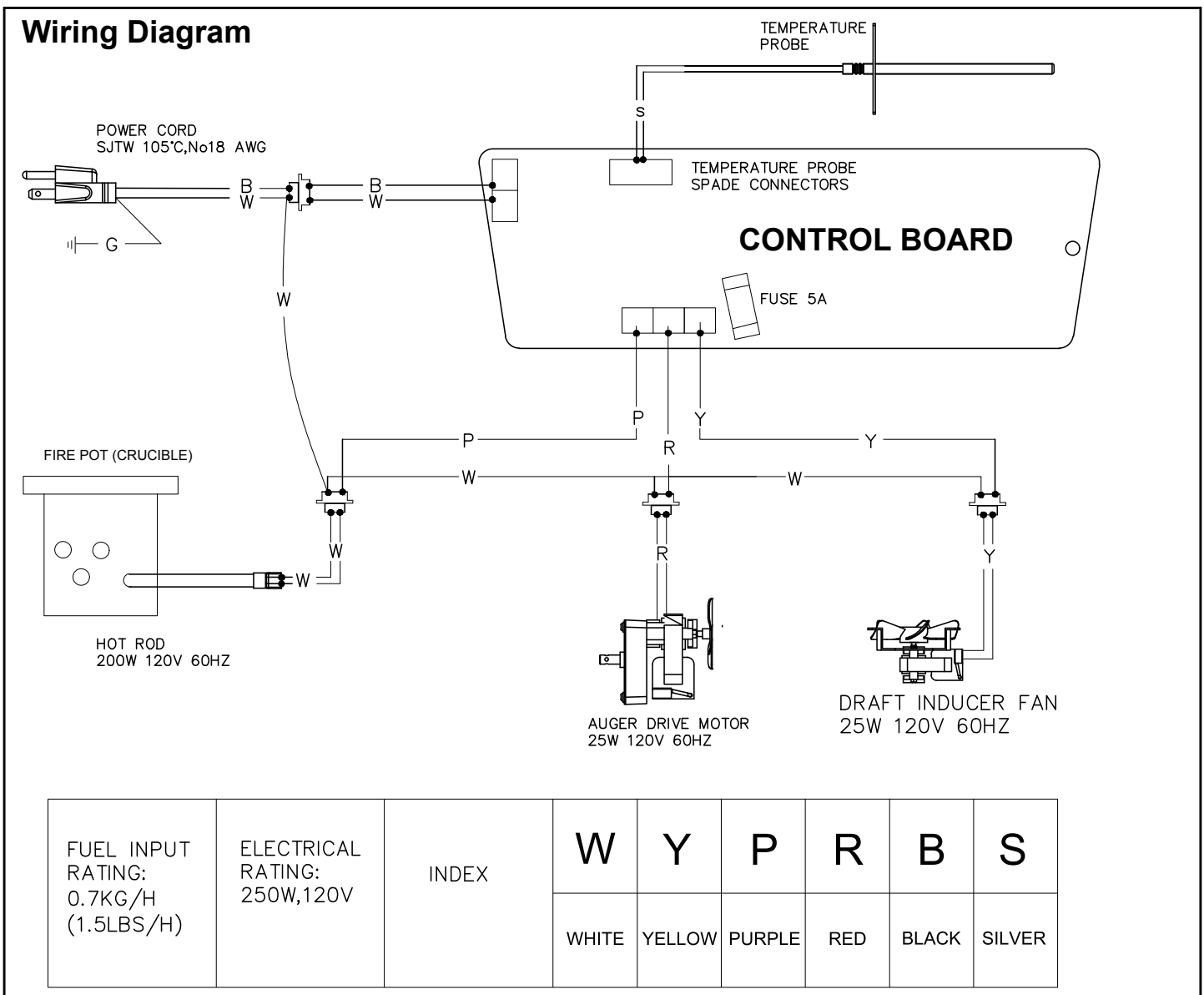
Temperature dial security alarm.

## **⚠ WARNING ⚠**

**DO NOT PRESS THE POWER BUTTON OR UNPLUG THE APPLIANCE WHILE THE FAN IS STILL WORKING ON THE SHUT DOWN CYCLE. THE GRILL WILL AUTOMATICALLY SHUT OFF WHEN THE CYCLE IS COMPLETE. INTERRUPTION OF THE SHUT DOWN CYCLE COULD RESULT IN A FIRE IN THE HOPPER CHAMBER.**

# OPERATING INSTRUCTIONS

- In order to maintain optimal performance, cleaning the appliance after each use is highly recommended. Always perform maintenance when the appliance is completely cooled and unplugged from an electrical outlet.
- Plastic or bristle brushes may be used for cleaning stubborn stains.
- **DO NOT** use steel wool or wire brushes. Pieces can break off and touch electrical parts creating a risk of electric shock.
- Clean the cooking grates with warm soapy water or with a water & baking soda solution. Non-abrasive scouring powder can be used for stubborn stains.
- Clean the grease tray with a damp cloth and warm soapy water. Allow the grease tray to cool completely before cleaning.
- Follow all warnings and safety precautions before removing meat from this appliance or preparing the unit for storage. Please see Page 4 for important warnings and safeguards.





## TIPS ON SMOKING

---

Pairing wood pellets with a specific type of food will depend on the preferences of the user. This page can be used as a general guideline for acquiring the ideal flavor.

- Wood pellets made from hickory, pecan, apple, cherry or mesquite typically burn slower and produce more smoke over longer periods of time.
- Do not pre-soak the pellets before use.

Here's a list of the most popular smoking woods and a little information about each.

Type of Wood Pellet	Suggested Food	Comments
Apple	All meats	Mild and sweet flavor with a slight hint of fruity flavor. Each species of apple wood should offer a slightly different flavor. Apple smoke produces an attractive browning effect
Cherry	Pork and Beef	Light and fruity flavor.
Hickory	Pork and Beef	Hickory is arguably the favorite wood for smoking. Hickory produces a very strong flavor so we recommend starting slow with this wood.
Maple	Pork and Poultry	Light and sweet.
Mesquite	Beef, Chicken, and Fish	This wood burns very hot so be aware. Much like hickory, mesquite produces a strong flavor.
Competition Blend	Red Meats, Game. Ribs and Fish	Blend of fruitwoods & hardwoods for sweet, spicy & savory flavor. Use these pre-mixed pellets when in doubt.
Pecan	Ribs and Red Meat	Produces a light smoke that offers a sweet and nutty flavor.

## SUGGESTED SMOKING AND MEAT TEMPERATURES

	Suggested Smoking Temperatures	Safe Minimum Food Temperatures
<b>Game</b>		
<b>Chops, steaks and roasts (deer, elk, moose, caribou/reindeer, antelope and pronghorn)</b>		
Well done	225° F (107.2° C)	170° F (77° C)
<b>Large Game</b>		
Bear, bison, musk ox walrus, etc.	250 - 300° F (121 - 149° C)	165° F (74° C)
<b>Small game</b>		
Rabbit, muskrat, beaver, etc.	225 - 240° F (107.2 - 115.6° C)	165° F (74° C)
<b>Ground Meat</b>		
Ground meat and meat mixtures	250 - 300° F (121 - 149° C)	165° F (74° C)
Ground venison and sausage	250 - 300° F (121 - 149° C)	165° F (74° C)
<b>Game birds/waterfowl (wild turkey, duck, goose, partridge and pheasant)</b>		
Whole	250° F (121° C)	165° F (74° C)
Breasts and roasts	250° F (121° C)	165° F (74° C)
Thighs, wings	250° F (121° C)	165° F (74° C)
Stuffing (cooked alone or in a bird)	250° F (121° C)	165° F (74° C)

### Additional Tips

Season food with desired spices, herbs, rubs or sauces, prior to following these basic steps. Cook times will vary based on ambient temperature and desired meat temperature.

### Smoking Ribs:

When smoking ribs, follow the 3-2-1 rule:  
 3 hours using "SMOKE" setting (ribs unwrapped)  
 2 hours at 225F (ribs wrapped in tin foil)  
 1+ hours to "set" with favorite sauce (Sauce is optional but tin-foil should be removed)

### Smoking Pork Butt/Shoulder:

Allow at least 1.5 hours of cook time per pound at 225F.  
 Set the temperature dial to "Smoke" for at least 5 minutes, then set the temperature to 225F and allow the unit to pre-heat for at least 15 minutes.  
 Place the meat inside the unit and cook for 3 hours. Spray the meat with water or apple juice every hour to keep the meat moist.  
 Place the meat onto an aluminum baking sheet for the remaining cook time. Use a meat probe to determine when the meat has reached its desired temperature. Refer to Suggested Smoking and Meat Temperatures on this page and refer to the Meat Probe section on Page 20 for attaching the probe and locating the temperature setting on the control panel display.

	Suggested Smoking Temperatures	Safe Minimum Food Temperatures
<b>Meat, Poultry, Fish</b>		
<b>Beef, veal and lamb (pieces and whole cuts)</b>		
Medium-rare	225° F (107.2° C)	145° F (63° C)
Medium	225° F (107.2° C)	160° F (71° C)
Well done	225° F (107.2° C)	170° F (77° C)
<b>Pork (ham, pork loin, ribs)</b>		
Pork (pieces and whole cuts)	225 - 240° F (107.2 - 115.6° C)	160° F (71° C)
<b>Ground meat and meat mixtures (burgers, sausages, meatballs, meatloaf, casseroles and mechanically tenderized beef)</b>		
Beef, veal (including mechanically tenderized), lamb and pork	250 - 275° F (121 - 135° C)	160° F (71° C)
Poultry (chicken & turkey)	250 - 275° F (121 - 135° C)	165° F (74° C)
<b>Poultry (chicken, turkey, duck)</b>		
Pieces	250° F (121° C)	165° F (74° C)
Whole	250° F (121° C)	165° F (74° C)
<b>Seafood</b>		
Fish	225 - 240° F (107.2 - 115.6° C)	158° F (70° C)
Shellfish (shrimp, lobster, crab, scallops, clams, mussels and oysters)	225 - 240° F (107.2 - 115.6° C)	165° F (74° C)
Since it is difficult to use a food thermometer to check the temperature of shellfish, discard any that do not open when cooked.		

## CARE AND MAINTENANCE

### AFTER USE SAFETY AND MAINTENANCE

#### ⚠ WARNING ⚠

- Use caution when lifting and moving the appliance to avoid strain injuries. Two people are recommended to lift or move the appliance.
- **DO NOT** store the appliance near gasoline or other combustible liquids or where combustible vapors may be present. Keep the area around the appliance clear and free of combustible materials and vapors.
- **DO NOT** store this appliance in an area accessible to children or pets. Store the appliance in a dry, protected location.
- **DO NOT** allow anyone to conduct activities around the appliance following use until it has cooled. It is hot during operation and remains hot for a period of time following use.
- **DO NOT** leave hot ashes unattended until the appliance cools completely.
- The appliance becomes extremely hot. Allow the appliance to cool completely before handling. Allow the appliance to cool before removing and cleaning the grease tray.
- Dispose of cold ashes by placing them in a sealable metal container. Store the sealed container on a non-combustible surface away from all combustible materials. Always use protective oven mitts or heat resistant gloves when accessing the inside of the appliance during and after use.

#### ⚠ CAUTION ⚠

All care and maintenance procedures are to be performed while the appliance is turned off, unplugged and completely cooled.

To clean the inside and outside of the cooking chamber, simply use a damp cloth.

Spray-washing with a water hose is not recommended. Moisture should be wiped away and not allowed to stand inside or on top of the appliance.

If rust is present on the **exterior** surface of the appliance, clean the area with steel wool or emery cloth and use heavy-duty, heat-resistant paint.

**NEVER** apply additional paint to the **interior** of the appliance.

### RECOMMENDED CARE & MAINTENANCE SCHEDULE (PERFORM WHEN APPLIANCE IS COMPLETELY COOL)

PART / AREA	FREQUENCY	METHOD
Fire Pot	After each grill or smoke session	Scoop out by hand & shop vac remaining ash
Cooking Grates	After each grill or smoke session	Burn-off after session / Scrub with Brass Brush
Grease Tray & Damper Wheel	After each grill or smoke session	Scrubbing pad & warm soapy water
Grease Chute	After each grill or smoke session	Scrubbing pad & warm soapy water
Auger	When remaining pellet sawdust is poured into hopper	Clear hopper of pellets, turn on the unit and allow the auger to clear out sawdust until empty.
Temperature Probe	Every 4-5 grill or smoke sessions	Scrubbing pad & warm soapy water
Smoke Stack & Cap	Every 4-5 grill or smoke sessions	Scrub inside of stack and cap with warm soapy water.

## TROUBLESHOOTING

If you have any questions regarding the product, please call customer service at 1-877-447-4768, 8:00 a.m. – 4:30 p.m., CST, Monday – Friday.

PROBLEM	POSSIBLE CAUSE	CORRECTIVE ACTION
Unit will not turn on / No Power.	<ul style="list-style-type: none"> <li>• Not Connected To Power Source, GFCI Outlet Has Tripped.</li> <li>• Fuse Blown On The Control Board.</li> </ul>	<ul style="list-style-type: none"> <li>• Ensure the unit is plugged into a working power source. Reset outlet breaker. Ensure GFCI is capable of handling a 10 Amp load. ( Refer to Wiring Diagram for access to electric components). Ensure that all wire connections are firmly connected and free of moisture.</li> <li>• Your appliance is equipped with a spare fuse. Contact Customer Service for step by step instructions for replacement.</li> </ul>
No heat from grill	<ul style="list-style-type: none"> <li>• Appliance is turned off.</li> <li>• No power.</li> <li>• Faulty controller or heating element.</li> <li>• Pellet hopper is empty.</li> </ul>	<ul style="list-style-type: none"> <li>• Turn on the appliance.</li> <li>• Check for any tripped circuit breakers and reset the breaker, if needed.</li> <li>• Check for faulty or tripped GFI (Ground Fault Interrupter) at the outlet. Reset the GFI or replace, if needed.</li> <li>• If breaker or GFI continues to trip, use a different outlet on a separate breaker circuit.</li> <li>• Try another working appliance in the outlet.</li> <li>• Replace controller or heating element.</li> <li>• Fill the hopper with wood pellets.</li> </ul>
Circuit breaker trips or fuse blows.	<ul style="list-style-type: none"> <li>• Another appliance is plugged into the same circuit as the grill (too many appliances using the same circuit).</li> <li>• Moisture or water in the controller, cord connection or outlet connection.</li> <li>• Damaged or frayed cord.</li> <li>• Damaged electrical connection.</li> </ul>	<ul style="list-style-type: none"> <li>• Find another outlet on a separate circuit.</li> <li>• Keep all connections dry and free from moisture. DO NOT use this appliance in the rain or when snow is falling.</li> <li>• Turn the unit off, unplug the unit and check the cord for damage. Replace, if needed.</li> <li>• Replace controller .</li> </ul>
Appliance does not generate enough heat.	<ul style="list-style-type: none"> <li>• Appliance was not pre-heated sufficiently or temperature was set too low.</li> <li>• Lid left open.</li> <li>• Improper extension cord.</li> <li>• Pellet hopper empty.</li> <li>• Auger is jammed.</li> </ul>	<ul style="list-style-type: none"> <li>• Pre-heat for 15-20 minutes. Increase temperature settings via controller.</li> <li>• Close the lid.</li> <li>• Use cord rated for outdoor use at 15 amps.</li> <li>• Add pellets.</li> <li>• Remove internal cooking components, turn the unit on, set the temperature dial to "SMOKE" and visually inspect the auger inside the fire pot and inside the pellet hopper. If the auger does not turn, contact Customer Service for additional support.</li> </ul>

## TROUBLESHOOTING

PROBLEM	POSSIBLE CAUSE	CORRECTIVE ACTION
Very little or no smoke coming from appliance.	<ul style="list-style-type: none"> <li>• Not enough pellets.</li> </ul>	<ul style="list-style-type: none"> <li>• Add wood pellets to the pellet hopper.</li> </ul>
Temperature is flashing on control panel display	<ul style="list-style-type: none"> <li>• Appliance temperature has fallen below 120F.</li> </ul>	<ul style="list-style-type: none"> <li>• Fire pot fire is at risk of going out. If the temperature is not rising above 120F, check the hopper for any obstructions. Check the fire pot for ash build up and follow the Care and Maintenance instructions for safely removing ash. Check the internal temperature gauge/probe and follow the Care and Maintenance instructions for cleaning. Ensure that air is flowing through the fire pot and follow the Cooking System Check if air flow is weak. Confirm that the auger is rotating and there is no blockage in the auger tube. Avoid opening the lid on a frequent basis.</li> </ul>
Flare-ups.	<ul style="list-style-type: none"> <li>• Meat contains excessive amounts of fat.</li> <li>• Cooking temperature is too high.</li> <li>• Grease build-up.</li> </ul>	<ul style="list-style-type: none"> <li>• Trim the appropriate amount of fat before cooking.</li> <li>• Lower the temperature as needed.</li> <li>• Clean the grease tray, according to the instructions.</li> </ul>
Persistent grease fire.	<ul style="list-style-type: none"> <li>• Too much build-up on grease drip tray.</li> </ul>	<ul style="list-style-type: none"> <li>• Turn the dial to "Shut Down Cycle" and keep the lid closed to allow the fire to burn out. <b>DO NOT use water to extinguish the fire. Personal injury my result.</b> Allow the appliance to completely cool before cleaning the grease tray.</li> </ul>

## TROUBLESHOOTING

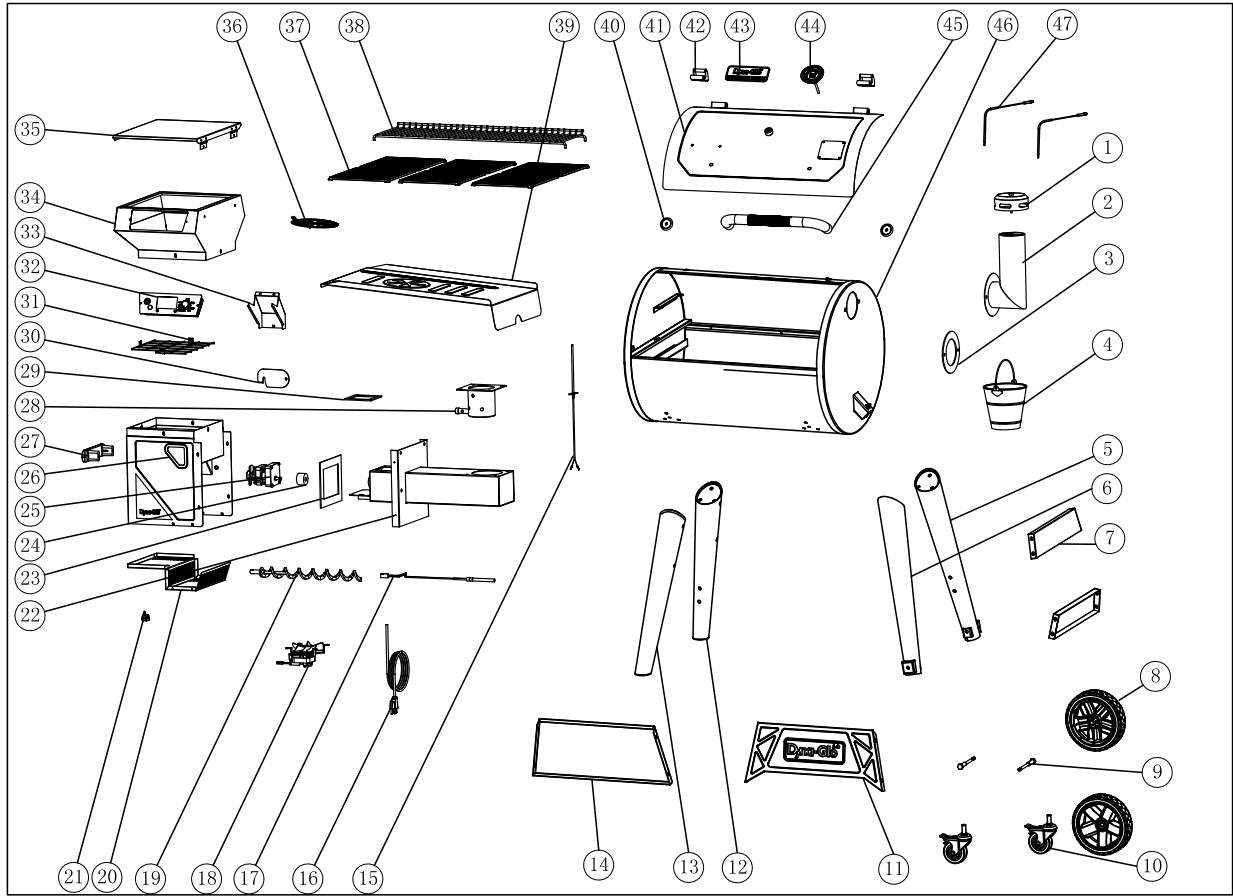
PROBLEM	POSSIBLE CAUSE	CORRECTIVE ACTION
<p>Control Panel Error Code (LEr, HEr, Er1, Er2)</p>	<ul style="list-style-type: none"> <li>• <b>LEr - Low Temperature Alarm</b> Grill temperature fell below 120° for more than 20 minutes.</li> <li>• <b>HEr - High Temperature Alarm</b> Grill temperature reaches more than 550°. The Smoker Has Overheated, Possibly Due To Grease Fire Or Excessive Pellets Inside Fire pot.</li> <li>• <b>Er 1 - Temperature Probe Not Properly Connected</b></li> <li>• <b>Er 2 - Temperature dial security alarm.</b></li> </ul>	<ul style="list-style-type: none"> <li>• <b>LEr</b> - This error will not affect the unit. Fire pot fire is at risk of going out. Check the hopper for any obstructions. Check the fire pot for ash build up and follow the Care and Maintenance instructions for safely removing ash. Check the internal temperature gauge/probe and follow the Care and Maintenance instructions for cleaning. Ensure that air is flowing through the fire pot and follow the Cooking System Check if air flow is weak. Confirm that the auger is rotating and there is no blockage in the auger tube. Avoid opening the lid on a frequent basis.</li> <li>• <b>HEr</b> - This error will not affect the unit. Turn the temperature control dial to "Shut Down Cycle" and allow the fan to blow until the cycle is complete. If a grease fire occurs, close the lid and allow the fire burn out. Allow the unit to completely cool before turning back on.</li> <li>• <b>Er1</b> - Ensure temperature probe is properly connected to the controller board.</li> <li>• <b>Er2</b> - Turn the temperature control dial to "Shut Down Cycle" and allow the fan to blow until the cycle is complete. Once the shut-down cycle is complete turn the unit on and set to the desired temperature . If problem persists, contact Customer Service for additional support.</li> </ul>

## REPLACEMENT PARTS LIST

For replacement parts, call our customer service department at 1-877-447-4768, 8:00 a.m. - 4:30 p.m. CST, Monday - Friday or e-mail us at [customerservice@ghpgroupinc.com](mailto:customerservice@ghpgroupinc.com).

PIECE	DESCRIPTION	PART #
1	Chimney Cap Assembly	70-02-246
2	Smoke Stack Assembly	70-02-247
3	Smoke Stack Gasket	70-02-249
4	Grease Pail	70-02-186
5	Right Rear Leg	70-02-235
6	Right Front Leg	70-02-236
7	Side Panel (1pc.)	70-02-237
8	Wheel (1pc.)	70-02-238
9	Wheel Axle (1pc.)	70-02-239
10	Casters (1pc.)	70-02-203
11	Front Panel	70-02-240
12	Left Rear Leg	70-02-241
13	Left Front Leg	70-02-242
14	Rear Panel	70-02-243
15	Temperature Probe	70-02-262
16	Power Cord	70-02-208
17	Ignition Rod	70-02-188
18	Fan Motor	70-02-194
19	Auger	70-02-776
20	Lower Hopper Safety Gate	70-02-777
21	Power Cord Insulator	70-02-209
22	Auger/Crucible Housing	70-02-778
23	Auger Housing Insulation	70-02-190
24	Auger Coupling	70-02-191
25	Auger Motor	70-02-244
26	Lower Hopper Assembly	70-02-779
27	Side Handle	70-02-210
28	Crucible (Fire Pot)	70-02-187
29	Foam Rubber	70-02-780
30	Rear Hopper Door	70-02-781
31	Hopper Screen	70-02-782
32	Control Panel	70-02-783
33	Control Panel Shield	70-02-784
34	Upper Hopper Assembly	70-02-785
35	Hopper Lid	70-02-786
36	Flywheel	70-02-225
37	Cooking Grate (1pc.)	70-02-787
38	Warming Rack	70-02-788
39	Grease Tray (without Flywheel)	70-02-789
40	Lid Handle Bezels (1pc.)	70-02-220
41	Lid (Without Temp Gauge, Handle, Badge or Hinges)	70-02-791
42	Lid Hinge (1pc.)	70-02-183
43	Badge	70-02-218
44	Analog Temp Gauge	70-02-219
45	Lid Handle	70-02-217
46	Main Grill Body	70-02-245
47	Meat Probe (1pc.)	70-02-213
	Hardware Pack	70-09-580
	Instruction Manual	70-10-728

# REPLACEMENT PARTS LIST





## WARRANTY

---

This Wood Pellet Grill & Smoker is warranted against broken or damaged parts at the time of purchase. The ignition rod is warranted for 3 years. All other parts carry a one (1) year limited warranty. Paint is warranted to be free of defects for 90 days except for rust, which may appear after repeated use.

This warranty does not cover damage or issues related to neglect, abuse or modifications to the appliance. Repair labor is not covered.

All parts that meet the warranty requirements will be shipped at no charge via the discretion of GHP Group Inc. (ground shipments, US Mail or Parcel Post ONLY). Any special handling charges (i.e. Second Day, Overnight, etc.) will be the responsibility of the consumer.

All warranty claims apply only to the original purchaser and require a proof of purchase verifying purchase date. Do not return parts to GHP address without first obtaining a return authorization number from our customer service. This service is available by calling toll free 1-877-447-4768, 8:00 a.m. – 4:30 p.m. CST, Monday – Friday.

Some states do not allow the exclusion or limitation of incidental or consequential damages or limitations on how long an implied warranty lasts, so the above limitations or exclusions may not apply to you. This warranty gives you specific legal rights, and you may have other rights that vary from state to state.

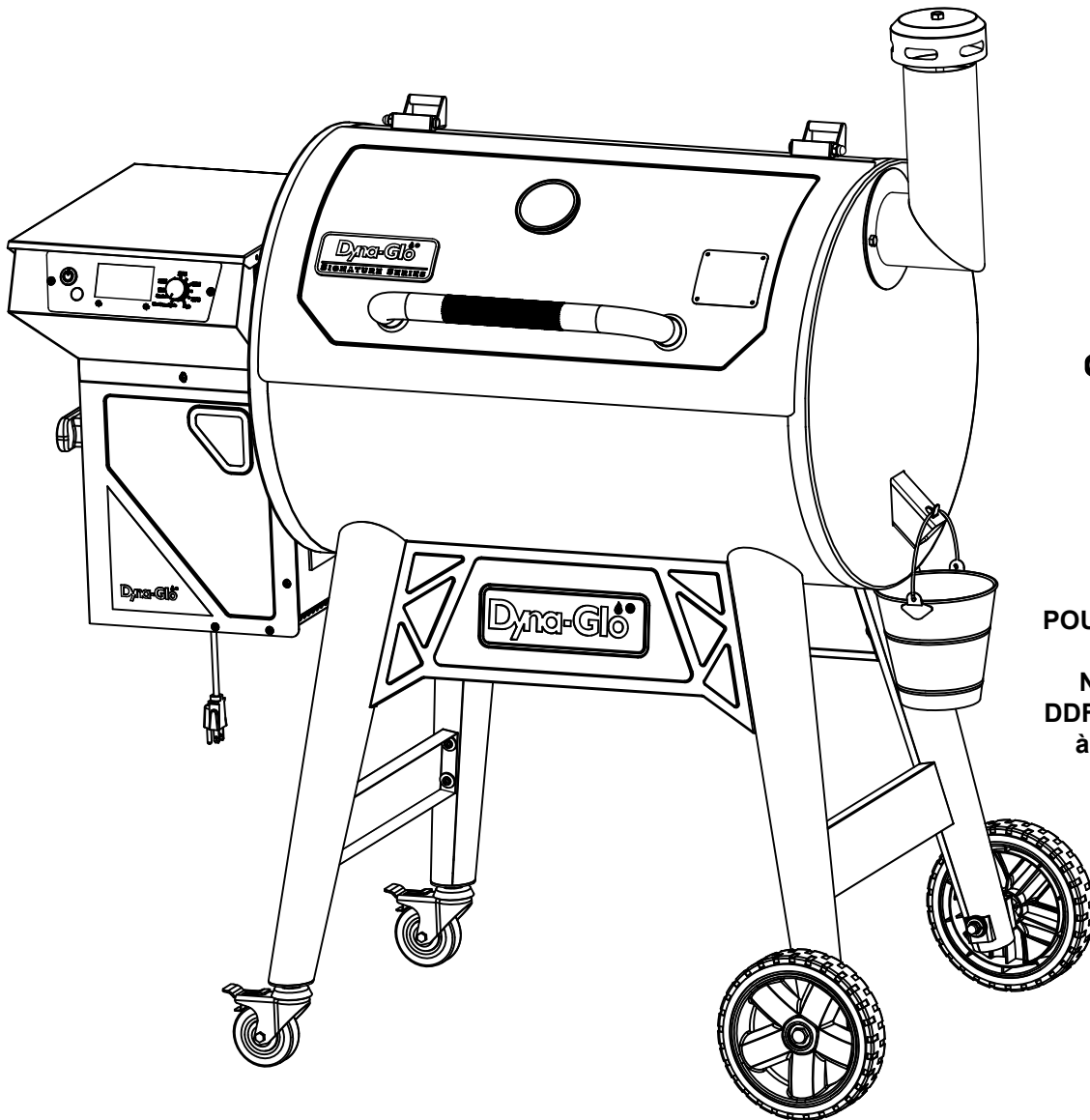
GHP Group Inc.  
6440 W. Howard Street  
Niles, IL, USA  
60714-3302

Item name: Wood Pellet Grill & Smoker  
Model #: DGSS7002BPW/ DGSS7002BPW-D/  
DGSS7002SPW/DGSS7002SPW-D/DGSS7002BRPW/DGSS7002BRPW-D  
Rated Voltage: AC 110-120V  
Rated Frequency: 60Hz  
Auger Motor Power: 25W  
Fan Motor Power: 25W  
Igniter Power: 200W

MODÈLE # DGSS7002BPW/DGSS7002BPW-D/  
DGSS7002SPW/DGSS7002SPW-D  
DGSS7002BRPW/DGSS7002BRPW-D

English p. 1

Español p. 68



**POUR USAGE EXTÉRIEUR  
SEULEMENT**

**N'utilisez qu'avec un  
DDFT (Disjoncteur de fuite  
à la terre) de classe A**

**JOIGNEZ VOTRE REÇU ICI**

Numéro de série \_\_\_\_\_ Date d'achat \_\_\_\_\_



**Des questions, des problèmes, des pièces manquantes ?** Avant de retourner chez votre détaillant, appelez notre service à la clientèle au 1-877-447-4768, de 8 h à 16 h 30 HNC, du lundi au vendredi ou envoyez-nous un courriel à [customerservice@ghpgroupinc.com](mailto:customerservice@ghpgroupinc.com).

70-10-728

Rev. 08/20/21

# UNE GRANDE CAUSE D'INCENDIE EST LE MANQUE DE RESPECT DES DISTANCES OBLIGATOIRES (ESPACES D'AIR) AVEC LES MATÉRIAUX COMBUSTIBLES. IL TRÈS IMPORTANT QUE CE PRODUIT SOIT INSTALLÉ UNIQUEMENT CONFORMÉMENT À CES INSTRUCTIONS.

## TABLE DES MATIÈRES

---

Consignes de sécurité .....	36
Contenu de l'emballage .....	41
Contenu du matériel .....	42
Instructions d'assemblage .....	43
Instructions d'utilisation .....	51
Conseils pour le fumage .....	59
Entretien et maintenance .....	61
Dépannage .....	62
Liste de pièces de rechange .....	65
Garantie .....	67

Veillez lire ce manuel en entier avant d'installer et d'utiliser l'appareil à granules de bois. Le non-respect de ces instructions peut entraîner des dommages matériels, des blessures corporelles, voire la mort. Contactez les responsables locaux du bâtiment ou les pompiers au sujet des restrictions et des exigences d'inspection d'installation dans votre région.

Assembler/installer : Ce manuel d'instructions contient des informations importantes nécessaires pour vous aider à assembler l'appareil correctement et à l'utiliser en toute sécurité. Lisez tous les avertissements et instructions, et les suivez avant d'assembler et d'utiliser l'appareil. **Laissez ces instructions avec le consommateur.**

**Consommateur/utilisateur : Suivez tous les avertissements et les instructions lors de l'utilisation de cet appareil.**

## CONSERVEZ CES INSTRUCTIONS

## ⚠️ CONSIGNES DE SÉCURITÉ

Veillez lire l'intégralité de ce manuel et le comprendre avant d'essayer d'assembler, d'utiliser ou d'installer l'appareil. Si vous avez des questions concernant le produit, appelez notre service à la clientèle au 1-877-447-4768, de 8 h à 16 h 30 HNC, du lundi au vendredi.

### ⚠️ MISE EN GARDE ⚠️

- Lors de l'utilisation d'appareils électriques, des précautions de base doivent toujours être suivies afin de réduire le risque d'incendie, d'électrocution et de blessures.

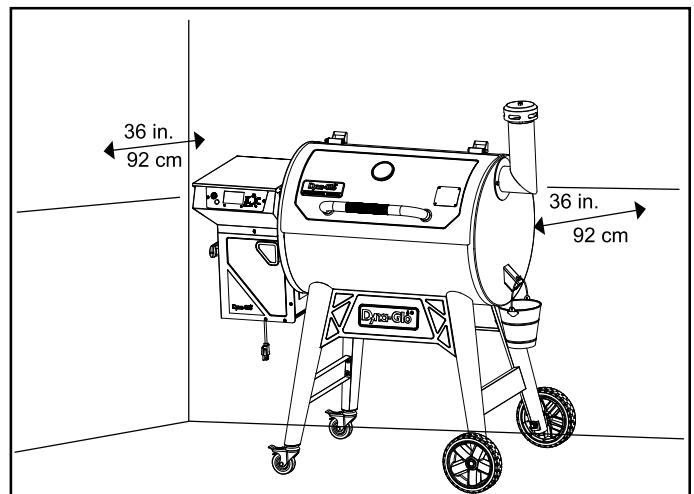
### ⚠️ DANGER ⚠️

- Le non-respect de ces instructions peut entraîner des risques d'incendie, d'explosion ou de brûlure pouvant causer des dommages matériels, des blessures corporelles, voire la mort.

## CONSIGNES IMPORTANTES DE SÉCURITÉ

LISEZ TOUTES LES INSTRUCTIONS AVANT D'UTILISER CET APPAREIL

- **N'utilisez pas** cet appareil autrement que pour son utilisation prévue. Il **n'est pas** destiné à des fins commerciales. Il **n'est PAS** destiné à être installé ou utilisé dans ou sur un véhicule récréatif ou un bateau.
- **N'utilisez pas** l'appareil ni avec un cordon ou une fiche électrique endommagés, ni après un mauvais usage ou une détérioration quelconque de l'appareil. Si le cordon d'alimentation est endommagé, il doit être remplacé par le fabricant, par son agent de service ou par une personne qualifiée afin d'éviter tout danger.
- **N'utilisez PAS** l'appareil à une distance de 3 m (10 pi) d'une piscine, d'une flaque d'eau, d'un étang ou de tout autre plan d'eau.
- Gardez l'appareil et le contrôleur électrique au sec et à l'abri de la pluie en tout temps.
- Un dégagement minimum de 36 po (92 cm) par rapport aux matériaux combustibles est requis à l'avant, sur les côtés et à l'arrière. Il est très important de toujours maintenir des dégagements appropriés des matériaux combustibles.
- Cet appareil est prévu pour un usage extérieur uniquement dans des zones bien ventilées. **N'utilisez pas** sous un toit, dans un bâtiment, dans un garage ou dans tout autre espace clos, ou sous une construction en hauteur.



## **CONSIGNES DE SÉCURITÉ**

---

- **Ne chargez pas** de granules à bois dans le pot à feu à la main. Cela créera une situation dangereuse et pourrait causer des blessures corporelles ou endommager votre appareil.
- **N'utilisez PAS** l'appareil pendant un orage.
- Cet appareil nécessite 120 volts, 60 Hz, 200 W, 1,7 A.
- L'appareil doit être connecté à une prise de courant à trois broches ayant un contact de mise à la terre.
- Le produit doit être alimenté par un dispositif différentiel à courant résiduel (DDR) avec un courant résiduel de fonctionnement ne dépassant pas 30 mA. N'utilisez qu'avec un circuit protégé par un DDFT (disjoncteur de fuite à la terre) de classe A.
- Disposez le cordon d'alimentation loin des zones de circulation pour vous assurer que personne ne trébuche.
- Pour le débrancher, éteignez l'appareil en appuyant sur le bouton de mise en marche (⏻) et en le maintenant enfoncé. Attendez que l'appareil termine le cycle d'arrêt, puis retirez la fiche de la prise.
- **N'obstruez pas** le flux d'air ventilé pour l'appareil.
- **N'utilisez pas** cet appareil comme chauffage.
- **N'utilisez PAS** de charbon de bois ou de combustibles similaires avec cet appareil. Cet appareil n'est pas conçu pour être utilisé avec du charbon de bois. De plus, un incendie se produira si celui-ci est utilisé pendant son fonctionnement. Une situation dangereuse sera créée par le feu et cela endommagera l'appareil.
- À utiliser avec des granules de bois dur naturel pour les grillades. N'utilisez jamais de granules chauffants, de granules de charbon de bois ou de carburant avec des additifs.
- Soyez prudent lorsque vous ouvrez le couvercle de l'appareil pendant son fonctionnement. Gardez les mains, le visage et le corps à l'abri de la vapeur chaude ou des flambées. **N'inhalez pas** la fumée.
- **NE portez pas** de vêtements lâches pendant l'utilisation de l'appareil. Attachez les cheveux longs pendant l'utilisation de l'appareil.
- **Portez TOUJOURS** des chaussures qui couvrent entièrement vos pieds lorsque vous utilisez l'appareil.
- **Ne touchez pas** les surfaces chaudes. Utilisez des poignées ou des boutons.
- Ne jamais plongez le cordon d'alimentation, la fiche ou l'appareil dans l'eau ou dans d'autres liquides afin d'éviter tout risque d'électrocution.
- Cet appareil n'est pas conçu pour être utilisé par des personnes (y compris des enfants) à capacités physiques, sensorielles ou intellectuelles réduites ou sans expérience ni connaissance, à moins qu'elles soient sous surveillance ou qu'elles aient été informées quant à l'utilisation de l'appareil par une personne responsable de leur sécurité.
- Débranchez l'appareil lorsqu'il n'est pas utilisé ou avant de le nettoyer. Laissez-le refroidir avant d'enfiler ou de retirer des pièces.
- L'utilisation d'accessoires non recommandée par le fabricant pourrait provoquer des blessures.

## **CONSIGNES DE SÉCURITÉ**

---

- **N'utilisez pas l'appareil** à l'intérieur.
- **Ne laissez pas** le cordon d'alimentation dépasser sur le côté de la table ou du plan de travail ou toucher des surfaces chaudes.
- **NE le placez PAS** sur ou près d'un brûleur au gaz ou d'un brûleur électrique ou dans un four chaud.
- Il faut faire preuve d'extrême prudence lorsqu'un appareil contenant de l'huile chaude ou d'autres liquides chauds est déplacé.
- **N'utilisez pas** l'appareil à toute autre fin que prévu.
- Soyez extrêmement prudent lorsque les grilles de cuisson ou le seau à graisse sont retirés ou lorsque la graisse chaude est jetée.
- **Ne nettoyez pas** avec des tampons à récurer en métal. Des bouts peuvent se détacher de la brosse et toucher les éléments électriques, créant un risque d'électrocution.
- Le combustible, tel que les briquettes de charbon de bois, ne doit pas être utilisé avec l'appareil.
- Utilisez l'appareil uniquement sur une prise correctement mise à la terre.
- Assurez-vous que les poignées sont assemblées et fixées correctement avant chaque utilisation. Voyez les instructions concernant les poignées à la page 44.

## **CONSERVEZ CES INSTRUCTIONS.**

### **ATTENTION**

- N'utilisez PAS de rallonges de calibre 16 ou 18. Des dommages au câblage domestique ou un incendie pourrait en résulter.

### **L'UTILISATION D'UNE RALLONGE N'EST PAS RECOMMANDÉE.**

### **LISEZ TOUTES LES INSTRUCTIONS AVANT D'UTILISER UNE RALLONGE AVEC CET APPAREIL**

- Utilisez uniquement le type EXTÉRIEUR avec une fiche à 3 broches mise à la terre, nominale de 15 ampères ou plus, approuvée par UL, marquée d'un WA et d'une étiquette indiquant « Convient pour une utilisation avec un appareil d'extérieur ».
- Utilisez la rallonge la plus courte requise. Ne connectez pas 2 ou plusieurs rallonges ensemble.
- Ne laissez pas le cordon pendre sur le bord d'une table ou d'autres objets où il pourrait être tiré par des enfants ou quelqu'un pourrait trébucher sur lui.

#### **Disjoncteur de fuite à la terre**

- Depuis 1971, le Code canadien de l'électricité (CCÉ) exige des dispositifs d'interruption de fuite à la terre sur tous les circuits extérieurs.
- Si votre résidence a été construite avant 1971, consultez un électricien qualifié pour déterminer s'il existe un disjoncteur de fuite à la terre.
- N'utilisez pas cet appareil si le circuit n'a pas de protection DDFT de classe A.
- Ne branchez pas cet appareil sur un circuit intérieur.

## **CONSIGNES DE SÉCURITÉ**

---

### **CONSIGNES GÉNÉRALES DE SÉCURITÉ**

LISEZ TOUTES LES INSTRUCTIONS AVANT L'UTILISATION DE CET APPAREIL

- Cet appareil est prévu pour un usage extérieur uniquement dans des zones bien ventilées.  
**N'utilisez pas** sous un toit, dans un bâtiment, dans un garage ou dans tout autre espace clos, ou sous une construction en hauteur.
- Avant chaque utilisation, vérifiez qu'il n'y a pas des feuilles mortes ou de débris sous l'appareil.
- Gardez un extincteur à proximité de l'appareil en tout temps.
- Débranchez toujours l'appareil lorsqu'il n'est pas utilisé.
- Laissez-le et ses composants refroidir complètement avant d'effectuer tout nettoyage ou entretien de routine.
- **N'utilisez PAS** d'eau ou d'autres pulvérisateurs en liquide pour le nettoyer sans avoir préalablement débranché l'appareil.
- Laissez-le refroidir à 115 °F (45 °C) avant de le déplacer ou de le ranger. Soyez prudent lorsque vous le soulevez et le déplacez pour éviter les maux de dos ou les blessures au dos.
- **Ne le déplacez pas** pendant son utilisation.
- L'appareil doit être conservé à l'abri des éléments ou être protégé par une housse étanche lorsqu'il n'est pas utilisé. Laissez-le refroidir complètement avant de placer le couvercle. Rangez-le dans un endroit sec et dans un endroit sûr, si possible.
- L'utilisation d'accessoires non recommandés par le fabricant de l'appareil peut entraîner des blessures ou des dommages matériels.
- N'utilisez jamais d'essence, de combustible pour lanterne de type essence, de kérosène, d'essence à briquet ou des liquides similaires pour allumer ou « ranimer » un feu dans cet appareil. Gardez tous ces liquides à l'écart de l'appareil lors de son utilisation.

## **MISE EN GARDE**

**N'utilisez JAMAIS d'essence, de combustible pour lanterne de type essence, de kérosène, d'essence pour briquet à charbon ou de liquides similaires pour allumer ou « ranimer » un feu dans cet appareil. Gardez tous ces liquides à l'écart de l'appareil lors de son utilisation.**

**! ATTENTION !**

**Pour éviter les blessures graves:**

- Gardez toujours un extincteur à proximité, au cas où un incendie inattendu se produirait.
- Pendant la cuisson, l'appareil doit être sur une surface plane, stable et incombustible, dans une zone exempte de matériaux combustibles, loin de l'herbe longue ou sèche.
- L'utilisation d'alcool, de médicaments sur ordonnance ou en vente libre peut nuire à la capacité de l'utilisateur à assembler correctement et à faire fonctionner cet appareil en toute sécurité.
- **Ne le déplacez pas** pendant son utilisation.
- **N'entreposez pas** ni utilisez cet appareil près de l'essence ou d'autres liquides combustibles ou là où d'autres vapeurs combustibles peuvent être présentes.
- L'appareil ne doit être utilisé que dans des zones bien ventilées.
- **N'utilisez pas** cet appareil comme chauffage.
- Lorsque vous utilisez le volant d'inertie, **NE laissez PAS** l'appareil sans surveillance pendant son utilisation. Gardez toujours les enfants et les animaux domestiques à l'écart de l'appareil en tout temps.
- Cet appareil sera chaud pendant et après son utilisation. Utilisez des mitaines de four isolées pour vous protéger des surfaces chaudes ou des éclaboussures des liquides de cuisson.
- **Ne chargez pas** de granules à bois directement dans le pot à feu à la main.
- **NE laissez PAS** le couvercle fermé plus d'une minute lorsque le volant d'inertie du plateau à graisse est complètement ouvert.

**PROPOSITION 65 DE L'ÉTAT DE LA CALIFORNIE**

**! ATTENTION !**

Ce produit et les combustibles utilisés pour le faire fonctionner (uniquement les granules de bois), ainsi que les produits de combustion de ces combustibles, peuvent vous exposer à des produits chimiques, notamment le noir de carbone, reconnu par l'État de Californie comme celui qui provoque le cancer, et le monoxyde de carbone, qui est connu de l'État de Californie pour causer des malformations congénitales ou d'autres problèmes de reproduction humaine. **Pour plus d'informations, consultez [www.P65Warnings.ca.gov](http://www.P65Warnings.ca.gov)**

**! DANGER !**

**En cas d'incendie, débranchez l'appareil de la prise et laissez le feu s'éteindre. N'utilisez pas d'eau pour éteindre le feu dans cet appareil.**

**Pour éviter d'être électrocuté, débranchez le cordon électrique avant de nettoyer l'appareil.**

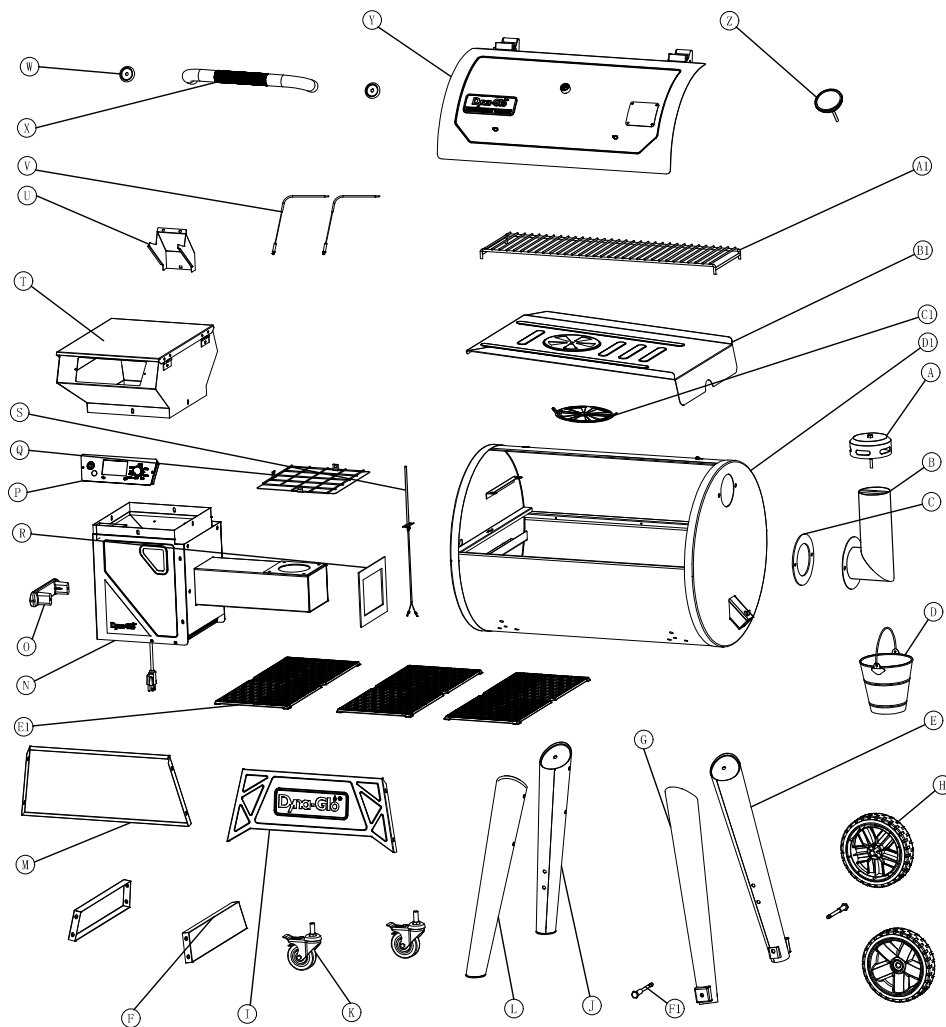
**N'immergez jamais le contrôleur électrique ou l'élément chauffant dans un liquide.**

**Pour éviter tout risque de brûlure, assurez-vous que l'appareil est complètement refroidi avant de retirer ou de nettoyer les composants internes de cuisson.**

**N'utilisez PAS de laine d'acier ou de brosses métalliques pour nettoyer l'intérieur de l'appareil. Des bouts peuvent se détacher de la brosse et toucher les pièces électriques, créant le risque d'électrocution.**





# CONTENU DE L'EMBALLAGE







PIÈCE	DESCRIPTION	QUANTITÉ	PIÈCE	DESCRIPTION	QUANTITÉ
A	Couvercle de la cheminée	1	R	Isolation du boîtier de tარიère	1
B	Cheminée	1	S	Sonde de température	1
C	Joint de la cheminée	1	T	Trémie supérieure	1
D	Seau à graisse	1	U	Bouclier du panneau de commande	1
E	Pied arrière droit	1	V	Sonde de viande	2
F	Panneau latéral	2	W	Trémie supérieure	2
G	Pied avant droit	1	X	Bouclier du panneau de commande	1
H	Roue	2	Y	Sonde de viande	1
I	Panneau avant	1	Z	Indicateur de température analogique	1
J	Pied arrière gauche	1	A1	Grille de chauffage	1
K	Roulettes	2	B1	Plateau à graisse	1
L	Pied avant gauche	1	C1	Volant	1
M	Panneau arrière	1	D1	Corps principal du gril	1
N	Trémie inférieure et pot à combustion	1	E1	Grille de cuisson	3
O	Poignée latérale	1	F1	Essieu de la roue	2
P	Panneau de commande	1			
Q	Écran de trémie	1			



## CONTENU DU MATÉRIEL

---



  
  
Rondelle de 1/3 po  
QTÉ.8


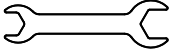
  
  
Rondelle-ressort de  
1/3 po  
QTÉ.2


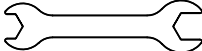
  
  
Écrou borgne de  
5/16 po  
QTÉ.2



  
  
Boulon de 1/4 po x  
3/5 po  
QTÉ.4


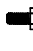
  
  
Rondelle-ressort de  
1/4 po  
QTÉ.4


  
  
Boulon + rondelle-  
ressort de 1/4 po x  
3/5 po  
QTÉ.16



  
  
Clé ouverte 1  
QTÉ.1

  
  
Clé ouverte 2  
QTÉ.1



  
  
Rondelle de 1/4 po  
QTÉ.4


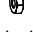
  
  
Boulon hexagonal  
de 1/4 po x 3/5 po  
QTÉ.4

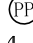

  
  
Boulon ST3.9 x 8mm  
QTÉ.5

  
  
Boulon #8 x 3/8 po.  
QTÉ.4

  
  
Écrou #8  
QTÉ.4



  
  
Boulon de 1/4 po x  
2 3/8 po  
QTÉ.2

  
  
Écrou de 1/4 po  
QTÉ.2

  
  
Boulon de 1/4 po x  
5/8 po  
QTÉ.1

  
  
Joint de 1/4 po  
QTÉ.1

  
  
Rondelle-ressort de  
1/4 po  
QTÉ.1

  
  
Écrou de 1/4 po  
QTÉ.1

## PRÉPARATION AVANT ASSEMBLAGE

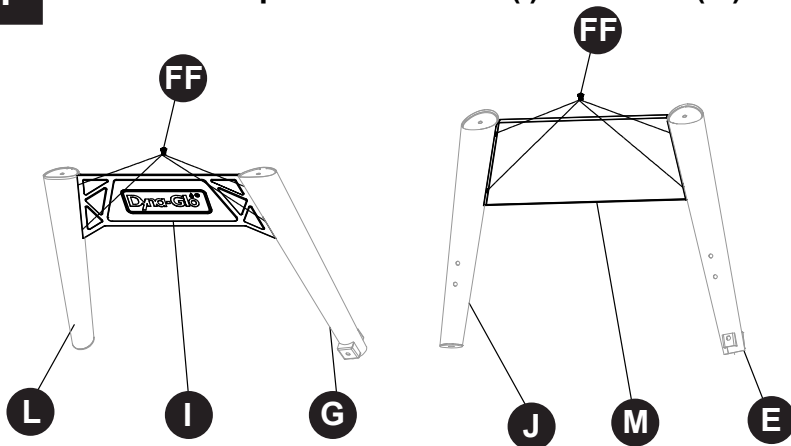
---

Avant de commencer l'assemblage de l'appareil, assurez-vous que toutes les pièces sont présentes. Comparez les pièces avec la liste du contenu de l'emballage et la liste du contenu du matériel. Si une pièce manque ou cette dernière est endommagée, n'essayez pas d'assembler l'appareil. Veuillez lire l'intégralité de ce manuel et de le comprendre avant d'essayer d'assembler l'appareil, de l'utiliser ou de l'installer. Si vous avez des questions concernant l'appareil, appelez notre service à la clientèle au 1-877-447-4768, de 8 h à 16 h 30 HNC, du lundi au vendredi.


**Temps estimé d'assemblage : 45 minutes**

# INSTRUCTIONS D'ASSEMBLAGE

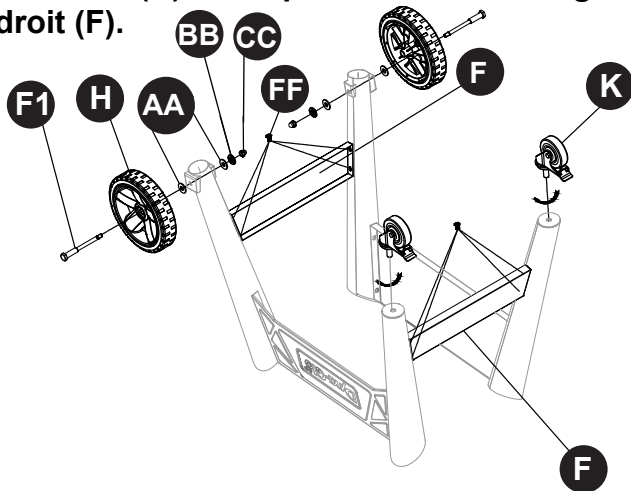
## 1 Attachez les panneaux avant (I) et arrière (M).







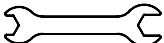
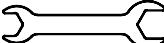
### Matériel utilisé

<b>FF</b>	Boulon + rondelle-ressort de 1/4 po x 3/5 po		x 8
-----------	--	---	-----

## 2 Attachez les roues (H), les essieux (F1), les roulettes (K) et les panneaux latéraux gauche et droit (F).

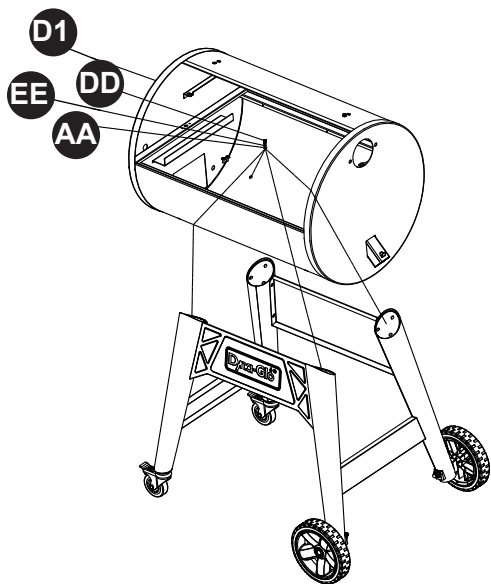


### Matériel utilisé




<b>FF</b>	Boulon + rondelle-ressort de 1/4 po x 3/5 po		x 8
<b>AA</b>	Rondelle de 1/3 po		x 4
<b>BB</b>	Rondelle-ressort de 1/3 po		x 2
<b>CC</b>	Écrou borgne de 5/16 po		x 2
<b>GG</b>	Clé ouverte 1		
<b>HH</b>	Clé ouverte 2		

# INSTRUCTIONS D'ASSEMBLAGE

## 3 Attachez le corps principal du grill.

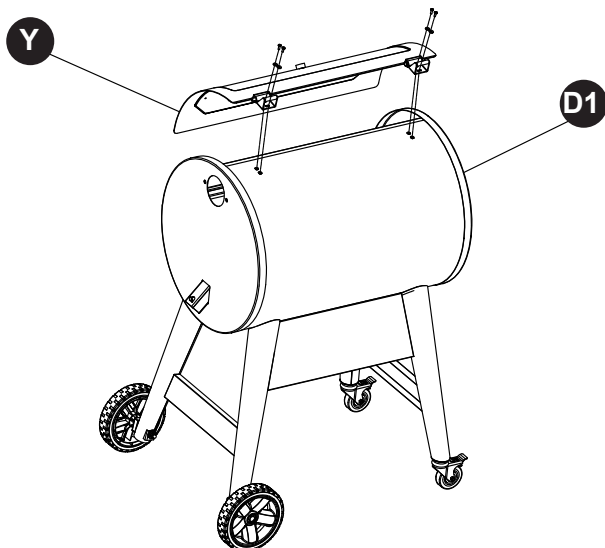


## Matériel utilisé

- |           |                               |   |     |
|-----------|-------------------------------|---|-----|
| <b>AA</b> | Rondelle de 1/3 po            |  | x 4 |
| <b>DD</b> | Boulon de 1/4 po<br>x 3/5 po  |  | x 4 |
| <b>EE</b> | Rondelle-ressort de<br>1/4 po |  | x 4 |

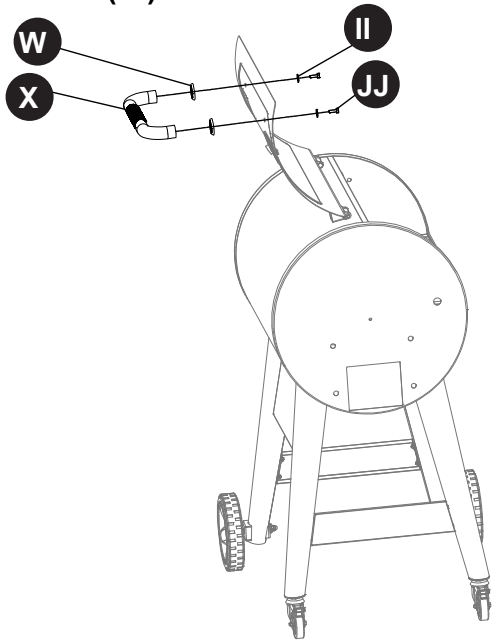


## 4 Attachez le couvercle.





# INSTRUCTIONS D'ASSEMBLAGE

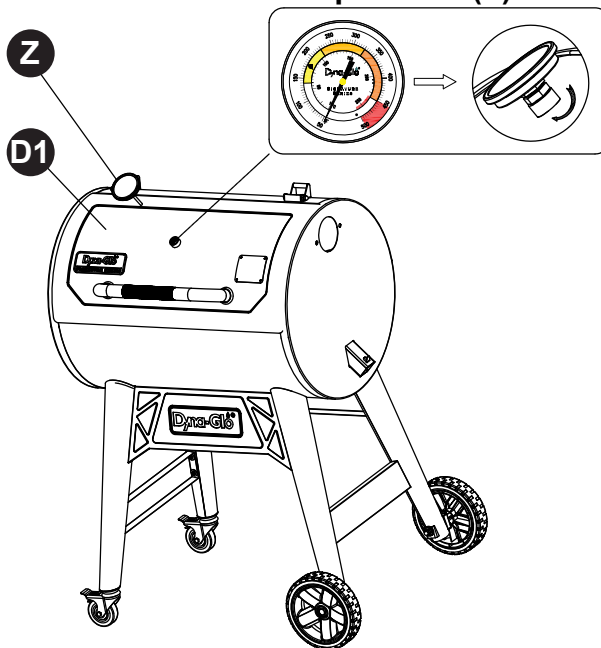
**5** Attachez la poignée du couvercle (X) et les lunettes (W).



## Matériel utilisé

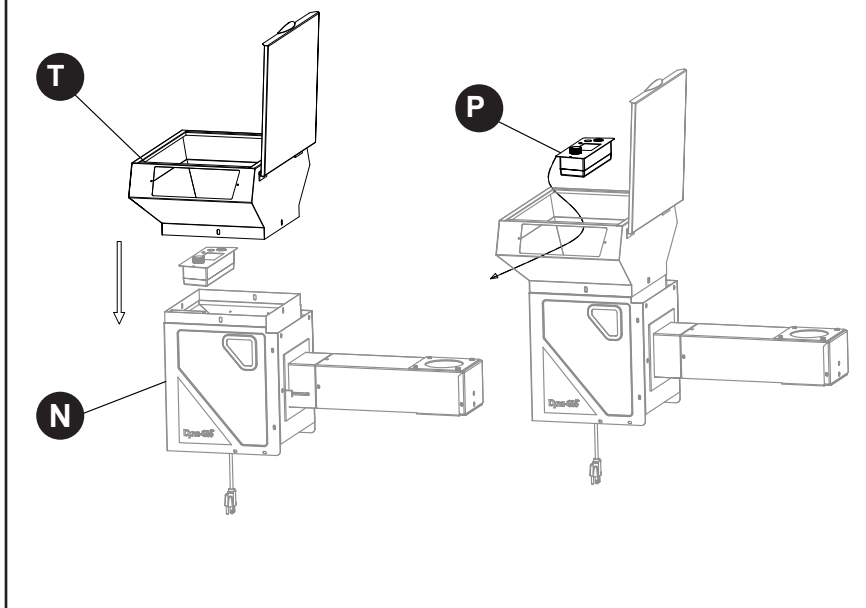
- |           |                                     |   |     |
|-----------|-------------------------------------|---|-----|
| <b>II</b> | Rondelle de 1/4 po                  |  | x 2 |
| <b>JJ</b> | Boulon hexagonal de 1/4 po x 3/5 po |  | x 2 |

**6** Attachez l'indicateur de température (Z).

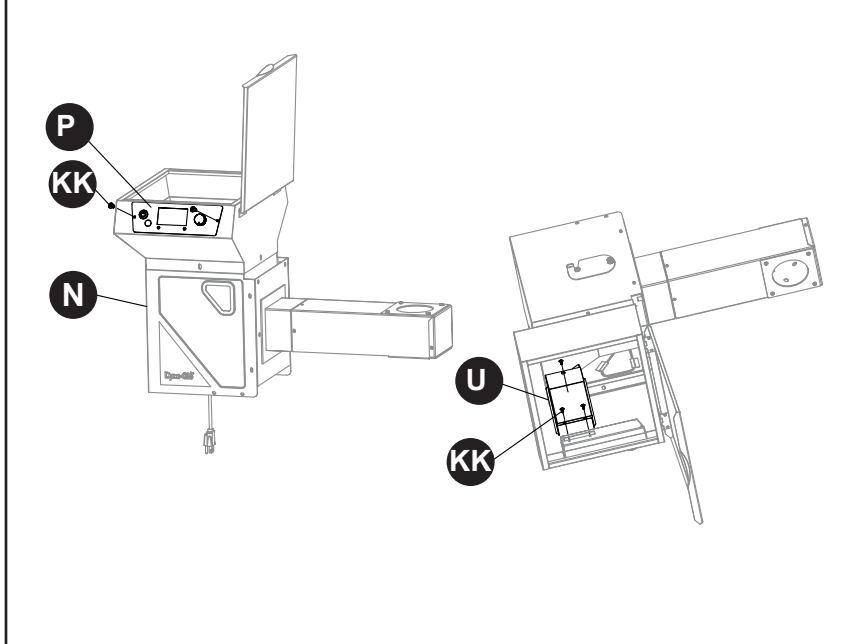


## INSTRUCTIONS D'ASSEMBLAGE


- 7** Attachez l'assemblage de trémie supérieur (T) et insérez le panneau de commande (P) par l'ouverture.



- 8** Sécurisez le panneau de commande (P) et le bouclier de fil (U).

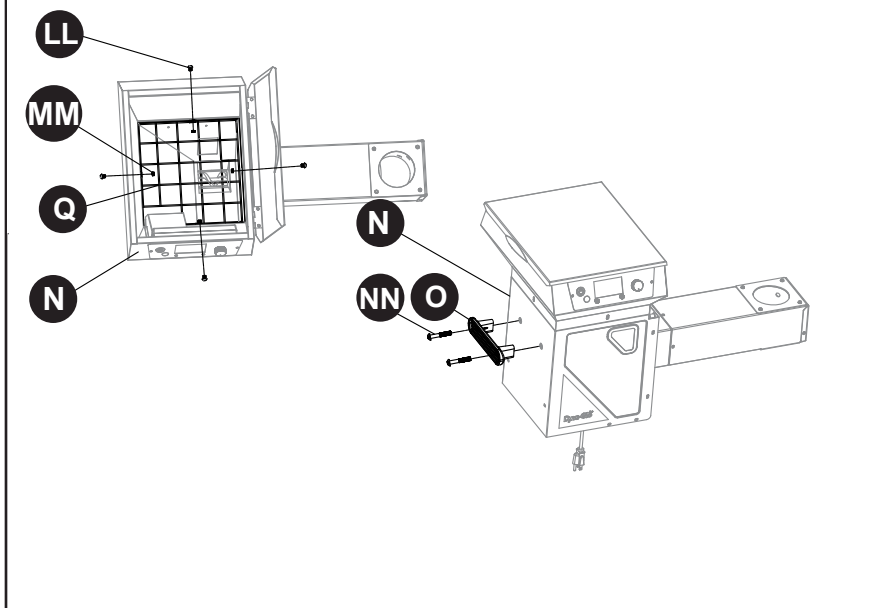


### Matériel utilisé




**KK** Boulon ST3.9 x 8mm  x 5

# INSTRUCTIONS D'ASSEMBLAGE

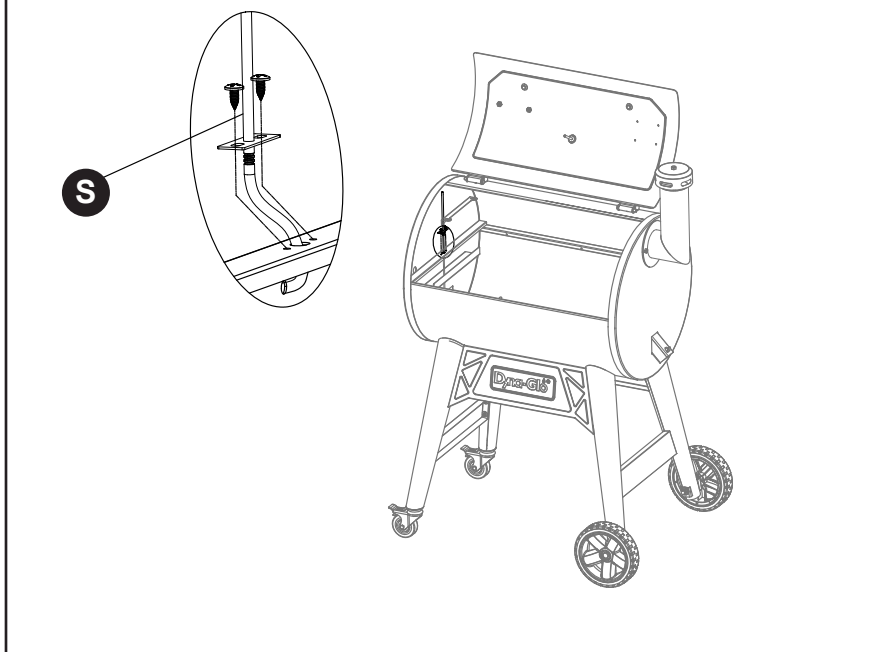
## 9 Attachez la grille de sécurité (Q) et la poignée latérale.



## Matériel utilisé

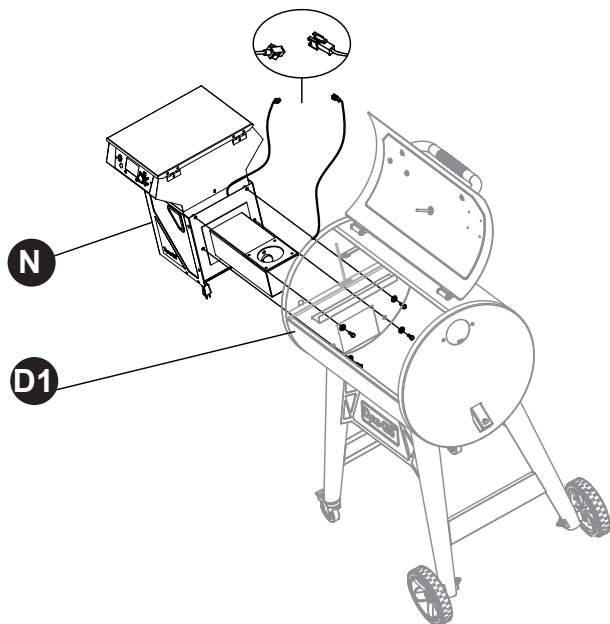
<b>LL</b>	Boulon #8 x 3/8 po.		x 4
<b>MM</b>	Écrou #8		x4
<b>NN</b>	Boulon de 1/4 po x 2 3/8 po		x 2

## 10 Attachez la sonde interne (S) à l'aide des vis pré-installées.





# INSTRUCTIONS D'ASSEMBLAGE

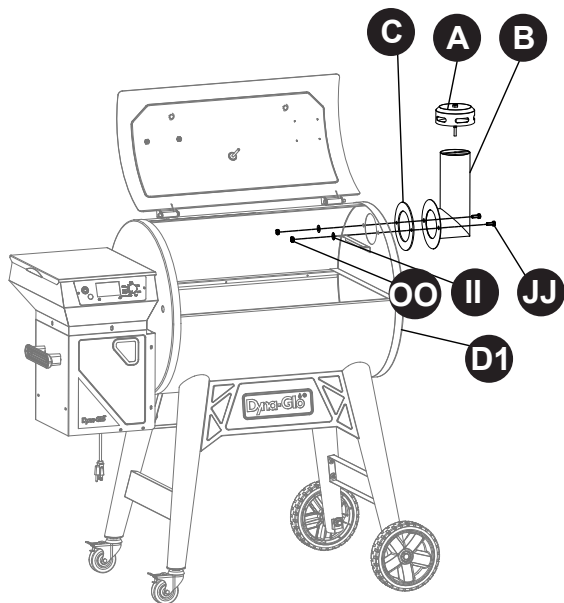
**11** Attachez la trémie au corps principal du gril et reliez le harnais de la sonde de température (S).








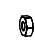
## Matériel pré-installé utilisé

Joint de 1/4 po		x 4
Boulon hexagonal de 1/4 po x 3/5 po		x 4

**12** Attachez la cheminée (B), le capuchon (A) et l'isolation de la cheminée (C).



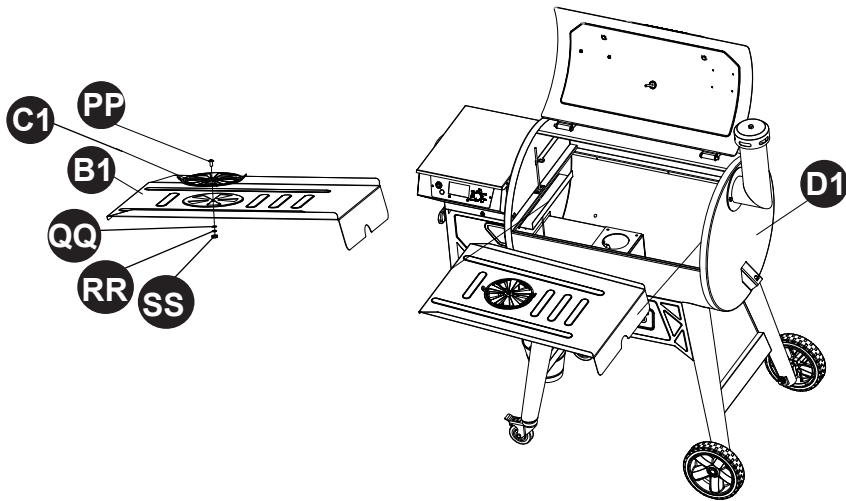
## Matériel utilisé

	Joint de 1/4 po		x2
	Boulon hexagonal de 1/4 po x 3/5 po		x2
	Écrou de 1/4 po		x2







# INSTRUCTIONS D'ASSEMBLAGE

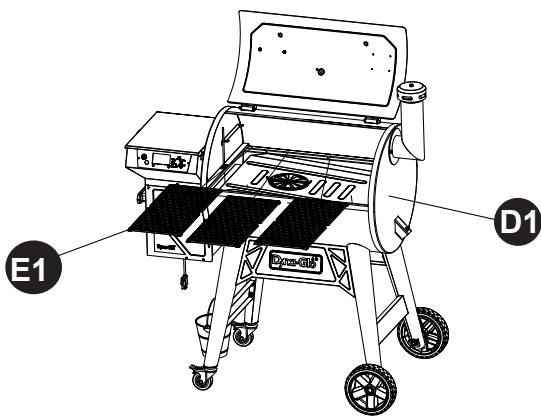
## 13 Fixez le volant (C1) et insérez le plateau à graisse (B1)



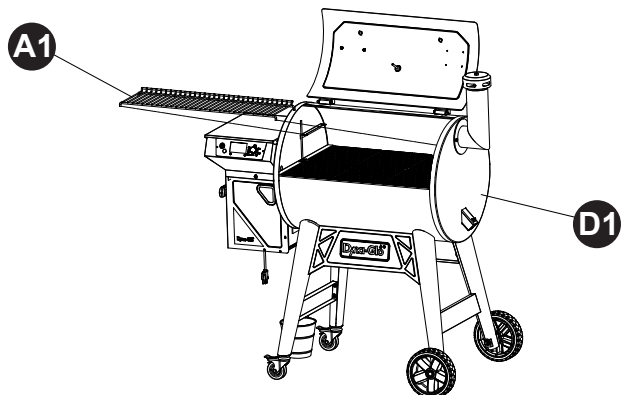
## Matériel utilisé

<b>PP</b>	Boulon de 1/4 po x 5/8 po		x 1
<b>QQ</b>	Joint de 1/4 po		x 1
<b>RR</b>	Rondelle-ressort de 1/4 po		x 1
<b>SS</b>	Écrou de 1/4 po		x 1

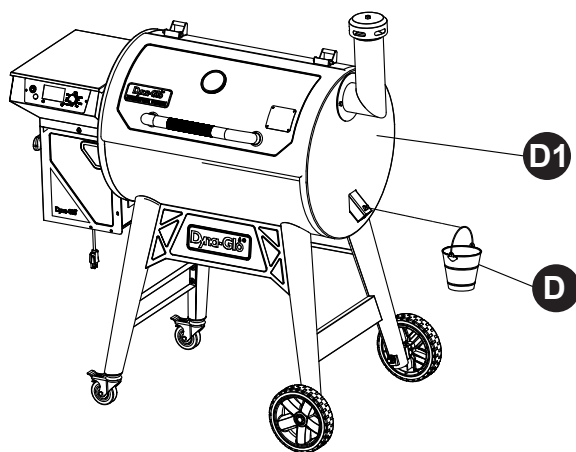
## 14 Insérez les grilles de cuisson (E1).



## 15 Insérer la grille de chauffage (A1).



## 16 Installez le seau à graisse (D).



## INSTRUCTIONS D'UTILISATION

---

### LISEZ TOUTES LES INSTRUCTIONS AVANT D'UTILISER L'APPAREIL POUR LA PREMIÈRE FOIS

#### Avant la première utilisation :

Retirez tous les emballages, les étiquettes volantes, les sangles en plastique et les autocollants de vente s'ils sont présents. N'utilisez pas des outils tranchants.

Lavez les grilles de cuisson avec de l'eau chaude savonneuse, les rincez et les laissez sécher complètement avant de les remettre dans l'appareil.

Avant la première utilisation, il est important « d'assaisonner » votre appareil. L'assaisonnement aide à éliminer les résidus potentiels d'usine qui se créent pendant la production. En plus, il améliore l'arôme, la durabilité et la performance globale de l'appareil. Reportez-vous à la page 58 pour le temps et la température de cuisson requis pour l'assaisonnement.

#### Avant chaque utilisation :

### READ ALL INSTRUCTIONS PRIOR TO USING THIS APPLIANCE

- Après de longues périodes d'inutilisation ou lors du retrait de l'entreposage, il est essentiel d'effectuer une vérification approfondie de la tarière depuis l'intérieur de la trémie et du pot à feu. Recherchez tout signe d'obstruction par des objets étrangers et vérifiez que l'air circule correctement dans et hors du pot à feu.
- Utilisez la porte arrière de la trémie pour retirer les granules et faites fonctionner l'appareil pour les éliminer de la tarière, lorsque vous rangez l'appareil ou entre deux utilisations.
- Gardez toujours le grill couvert lorsqu'il n'est pas utilisé et évitez de faire entrer de l'eau dans la trémie. Les granules se dilateront considérablement si de l'eau est introduite à l'intérieur de la trémie. Une longue exposition à l'humidité entraînera également l'expansion des granules et peut obstruer ou bloquer la tarière pendant l'utilisation. Voyez la section Entretien et maintenance à la page 59 pour plus d'information.
- Pendant la cuisson, l'appareil doit être sur une surface plane, stable et incombustible dans une zone exempte de matériaux combustibles, loin de l'herbe longue ou sèche.
- Évitez de déplacer l'appareil sur des surfaces bosselées ou inégales. Cela pourrait endommager l'appareil.
- Pour éviter que les disjoncteurs ne se déclenchent, gardez les commandes des appareils électriques et les connexions des cordons au sec et n'utilisez pas d'autres produits électriques sur le même circuit.
- Recouvrez légèrement chaque grille de cuisson d'huile végétale ou d'un aérosol d'huile végétale pour éviter que les aliments n'adhèrent aux grilles pendant la cuisson. Retirez les grilles avant de les enduire.
- **NE couvrez PAS** les grilles de cuisson avec du papier d'aluminium.
- **NE retirez PAS** l'écran de sécurité à l'intérieur de la trémie.
- **NE modifiez PAS**, percez, agrandissez ou repositionnez le pot à feu ou l'un des composants internes ou externes de cet appareil. Le non-respect de cet avertissement peut entraîner des blessures ou des risques d'incendie et ceci annulera votre garantie.

## INSTRUCTIONS D'UTILISATION

# ⚠ ATTENTION ⚠

Le non-respect de toutes les instructions du fabricant peut entraîner des blessures graves et/ou des dommages matériels.

Gardez les mains, les doigts, les bijoux ou les vêtements amples à l'écart de la tarière.

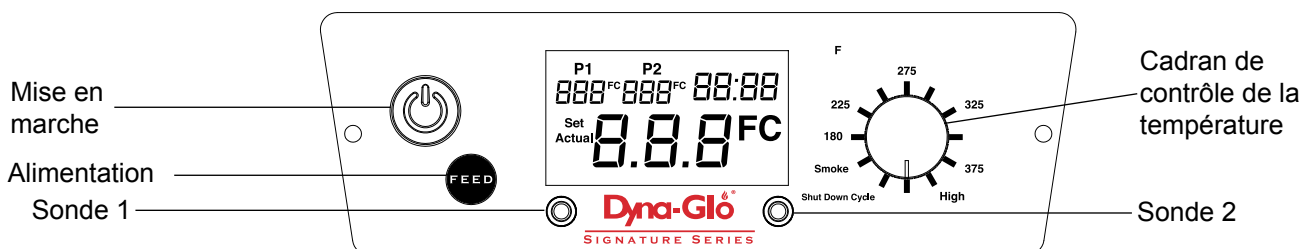
Soyez prudent lorsque vous utilisez votre appareil.

Pour éviter d'éventuelles flambées ou feux de graisse, nettoyez le plateau avant son utilisation. Lisez toutes les informations et les garanties de ce manuel et les suivez avant d'essayer d'assembler ou d'utiliser cet appareil. N'ajoutez PAS manuellement de granules au pot à feu à la main. Cela créera un risque d'incendie et pourrait causer des blessures corporelles et endommager votre appareil.

### Consignes de sécurité

- Reportez-vous à la section « Dépannage » aux pages 60 et 61 pour les problèmes de fonctionnement.
- NE laissez PAS le couvercle fermé plus d'une minute lorsque le volant d'inertie du bac à graisse est complètement ouvert. Cela créera une situation dangereuse et pourrait causer des blessures corporelles ou endommager votre appareil.
- N'UTILISEZ PAS DE CHARBON DE BOIS. Cet appareil n'est pas conçu pour être utilisé avec du charbon de bois. De plus, un incendie se produira si du charbon de bois est utilisé pendant son fonctionnement. Le feu créera une situation dangereuse et endommagera l'appareil. Utilisez UNIQUEMENT des granules de bois conçus pour cet appareil.
- N'utilisez PAS d'essence à briquet, de l'essence, du kérosène ou des liquides ou des gels inflammables pour allumer ou accélérer un feu.
- Afin de garder un fonctionnement optimal, il est fortement recommandé de nettoyer le fumoir après chaque utilisation. Attendez que l'appareil ait complètement refroidi avant de le nettoyer. Reportez-vous à la section Entretien et maintenance à la page 59.

### INSTRUCTIONS D'UTILISATION DU PANNEAU DE CONTRÔLE



- ⏻ – allume et éteins l'appareil
- **ALIMENTATION** - Engage la tarière pour livrer les granules au pot à feu.
- **Insertion de la sonde 1 (côté gauche) et de la sonde 2 (côté droit)**. La température de chaque sonde est indiquée sur l'écran du panneau de contrôle lorsque les sondes sont en cours d'utilisation.
- **Cadran de contrôle de la température**

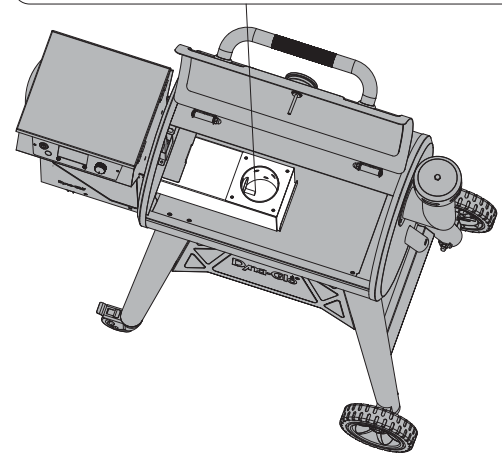
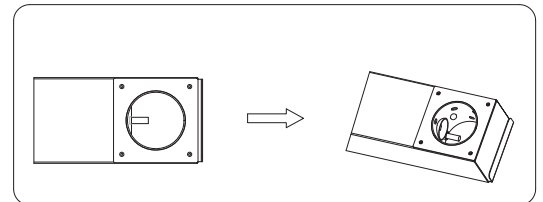
## INSTRUCTIONS D'UTILISATION

### Préparation du grill avant cuisson

#### Vérification du système de cuisson

Avant de cuisiner sur votre grill à granules de bois, assurez-vous de suivre ces instructions pour la première utilisation ou lorsque la trémie est à court de granules. Un allumage raté se produira si ces instructions ne sont pas suivies. Retirez tous les emballages, les étiquettes volantes, les sangles en plastique et les autocollants de vente s'ils sont présents. N'utilisez pas d'outil tranchant.

1. Retirez les grilles de cuisson et le plateau à graisse qui sont à l'intérieur du grill.
2. Ouvrez le couvercle de la trémie et vérifiez s'il y a des objets étrangers qui pourraient empêcher la tarière de tourner. Si aucun corps étranger n'est trouvé, remplissez la trémie de granules de bois à griller. N'utilisez que des granules conçus pour des grills à granules ou des fumoirs. **NE placez PAS de granules dans le creuset à la main.**
3. Branchez le cordon d'alimentation dans une prise à disjoncteur de fuite à la terre, appuyez fois sur le bouton de mise en marche pour allumer l'appareil et tournez le cadran de contrôle de la température sur la position FUMÉE.
  - A. Localisez le pot à feu à l'intérieur du grill et vérifiez visuellement si la tarière tourne.
  - B. Placez soigneusement votre main au-dessus du pot à feu pour sentir le flux d'air. Ne placez pas vos mains ou vos doigts à l'intérieur du pot à feu, car vous pourriez vous blesser.
  - C. Dans les deux minutes, l'allumeur devrait créer de la fumée et une odeur de brûlé indiquera que l'allumeur chauffe. Ne touchez pas l'allumeur pour vérifier, car cela pourrait causer des blessures.
4. Après avoir vérifié que la tarière tourne, l'allumeur est allumé, et que l'air circule dans le pot à feu, tournez le cadran sur "Cycle d'arrêt". Le panneau de contrôle affichera «ARRÊTÉ» et le grill commencera automatiquement à s'arrêter lorsque le ventilateur soufflera pendant environ 10 minutes. Vous n'avez pas besoin d'attendre la fin du cycle avant de rallumer le grill.
5. Une fois que le grill a refroidi, réinstallez le plateau à graisse et les grilles de cuisson dans le grill. Si nécessaire, lavez les grilles de cuisson avec de l'eau chaude savonneuse, les rincez et les laissez sécher complètement avant de les remettre dans le grill.



#### Préassaisonnement du grill

Une fois que la vérification du système de cuisson est terminée et que votre trémie ait correctement acheminé les granules dans le pot à feu, il est fortement recommandé de préassaisonner le grill avant la cuisson. L'assaisonnement aide à éliminer les résidus potentiels qui se créent pendant la production. En plus, il améliore l'arôme, la durabilité et la performance globale de l'appareil.

Allumez le grill en appuyant sur le bouton de mise en marche. Tournez le cadran de commande à la position «Élevée» et laissez le grill brûler pendant au moins 45 minutes. Votre grill est maintenant prêt à être utilisé.

**AVERTISSEMENT:** NE laissez PAS le volant d'inertie ouvert pendant le processus de préassaisonnement.

## INSTRUCTIONS D'UTILISATION

---

### Réglages de température

Comprendre chacun des réglages de température améliorera votre expérience de grillade et de fumage. Les niveaux de température requis varieront en fonction de la taille et du type de nourriture. Pour garantir la consommation sécuritaire des aliments, utilisez les sondes à viande pour déterminer les températures appropriées des aliments. Référez-vous à ce manuel à la page 57 pour les températures de cuisson et de la viande.

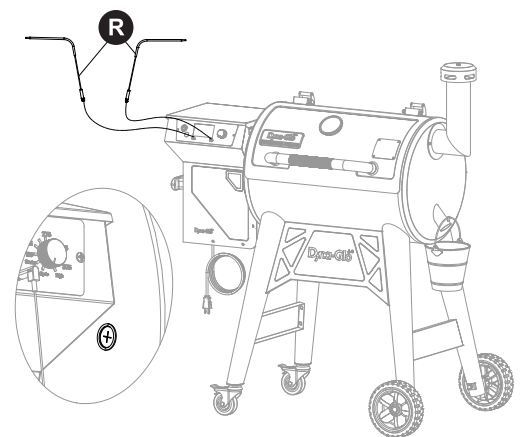
**REMARQUE :** Les conditions météorologiques venteuses ou froides peuvent affecter les temps de préchauffage et de cuisson de manière générale. Prévoyez suffisamment de temps pour préchauffer le gril avant la cuisson. Évitez d'ouvrir fréquemment le couvercle, sauf en cas d'absolue nécessité.

### Utilisation du bouton ALIMENTATION

Si vous prévoyez d'ouvrir le couvercle, gardez enfoncé le bouton «ALIMENTATION» pendant 10 à 15 secondes et attendez au moins une minute avant d'appuyer à nouveau. Cela engagera la tarière et fournira des granules au pot à feu, augmentant ainsi la température pour compenser la perte de chaleur. La température se stabilisera, selon le réglage souhaité. **ATTENTION :** Appuyer sur le bouton **ALIMENTATION** pendant plus de la durée et de la fréquence recommandées surchargera le pot à feu et pourrait provoquer un incendie.

### Utilisation du thermomètre à viande

Votre gril est équipé de deux sondes à viande et de deux prises de sonde sur le panneau de contrôle. La prise de gauche indiquera «P1» sur l'écran et la prise de droite est «P2». Branchez la sonde dans la prise désirée et faites passer la sonde à travers l'ouverture en silicone sur le côté du corps du gril.

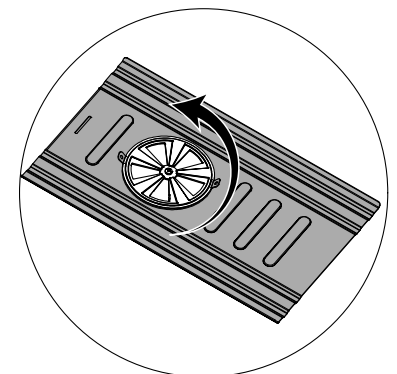


Pour obtenir la lecture la plus précise possible, poussez la sonde vers la partie la plus épaisse de la viande et attendez au moins 30 secondes pour que la sonde mesure la température réelle de la viande. Si votre viande a un os, évitez de toucher l'os avec l'extrémité de la sonde pendant la cuisson.

Reportez-vous au tableau de la page 35 pour connaître les températures appropriées des aliments. Pour plus d'information sur la sécurité alimentaire, appelez : USDA Meat and Poultry Hotline au 1-888-MPHOTLINE (888-674-6854) à Washington, DC ou par courriel : [mphotline.fsis@usda.gov](mailto:mphotline.fsis@usda.gov). Ou visitez le site Web de l'USDA à l'adresse [www.fsis.usda.gov](http://www.fsis.usda.gov)

### Système de cuisson directe

Votre gril à granules est équipé d'un volant d'inertie sur le plateau à graisse. L'ouverture du clapet du volant augmentera rapidement la température de la surface de cuisson pour saisir des morceaux de viande plus épais ou les griller. Soyez prudent lorsque vous ouvrez le clapet. Lors de son utilisation, l'appareil d'utilisation peut devenir très chaud. Utilisez des gants résistants à la chaleur ou des pinces métalliques pour retirer les grilles de cuisson et lors de l'ouverture ou de la fermeture du clapet. Soyez prudent lorsque vous cuisinez avec le



### ⚠ MISE EN GARDE ⚠

- N'utilisez pas des outils tranchants ou pointus pour nettoyer l'appareil.
- N'utilisez pas des nettoyants abrasifs pour four, de laine d'acier ou des brosses métalliques pour nettoyer les grilles en porcelaine ou le corps de l'appareil. Ils endommageront la finition.
- Remplacez les pièces endommagées uniquement par des pièces de rechange certifiées Dyna-Glo. N'essayez pas de réparer les pièces endommagées.
- L'appareil devient très chaud quand il est en marche. Utilisez des gants résistants à la chaleur pour accéder à l'intérieur de l'appareil.

volant d'inertie ouvert pendant que le couvercle est fermé.

**⚠ AVERTISSEMENT:** **NE laissez PAS** le couvercle fermé plus d'une minute lorsque le volant est ouvert. Ne laissez jamais le gril sans surveillance lorsque vous utilisez le système de cuisson directe.

#### Éteignez votre appareil

1. Une fois la cuisson terminée, vous pouvez choisir de brûler toute graisse résiduelle ou tout résidu de nourriture. Tournez simplement le cadran de contrôle de la température à 450F et faites fonctionner l'appareil pendant au moins 10 minutes pour une utilisation normale ou 20 minutes pour les aliments qui ont entraîné de grandes quantités de graisse. Brûler les résidus après la cuisson réduirait de manière significative le risque de feu de graisse la prochaine fois que le gril est utilisé. Assurez-vous de régler une minuterie pour la brûlée souhaitée, afin de pouvoir reprendre le reste du processus d'arrêt. **AVERTISSEMENT : NE laissez PAS** le volant d'inertie ouvert lors d'un brûlage.
2. Tournez le cadran sur "Cycle d'arrêt", mais n'appuyez PAS sur le bouton de mise en marche. Le panneau de commande affichera "ARRÊTÉ", mais le ventilateur continuera à souffler de l'air dans le pot à feu pour éteindre les granules. Laissez l'unité fonctionner jusqu'à ce que le cycle d'arrêt soit terminé. Débranchez l'appareil une fois le cycle d'arrêt terminé.

**AVERTISSEMENT!** N'APPUYEZ PAS SUR LE BOUTON DE MISE EN MARCHÉ OU DÉBRANCHEZ L'APPAREIL LORSQUE LE VENTILATEUR FONCTIONNE PENDANT LE CYCLE D'ARRÊT. LE GRIL S'ARRÊTERA AUTOMATIQUÉMENT À LA FIN DU CYCLE. L'INTERRUPTION DU CYCLE D'ARRÊT POURRAIT ENTRAÎNER UN INCENDIE DANS LA CHAMBRE DE LA TRÉMIE.

Attendez que l'appareil soit complètement refroidi avant de mettre une housse ou avant de l'entreposer.

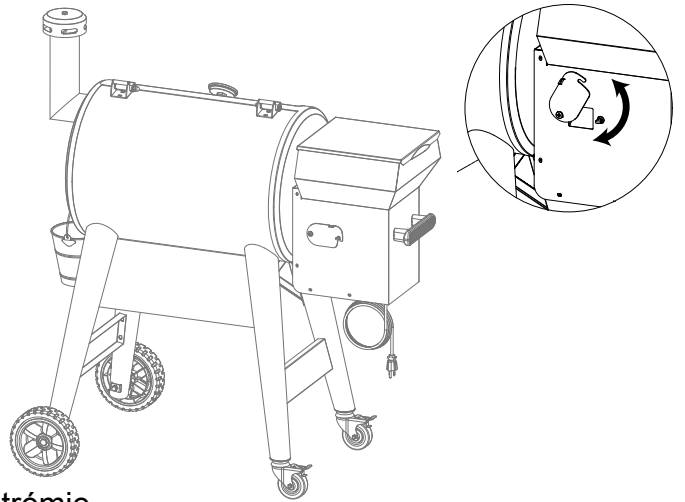
## INSTRUCTIONS D'UTILISATION

---

### Nettoyage de la trémie

Il peut être nécessaire de retirer les granules de la trémie si des conditions météorologiques défavorables ou d'humidité élevée sont attendues. Pour vider la trémie, localisez simplement la trappe arrière de la trémie.

Avant d'ouvrir la trappe, tenez un récipient près de l'ouverture pour éviter que les granules ne tombent au sol. Ouvrez lentement la trappe et laissez les granules sortir de la trémie. Assurez-vous que la trappe est complètement fermée, après avoir vidé la trémie.



### Tisonnier (outil à cendres)

Les cendres s'accumuleront dans le pot à feu pendant et après chaque utilisation. Inspectez toujours le pot à feu avant son utilisation. Attendez toujours que les cendres soient complètement refroidies avant de les retirer. Les cendres doivent être placées dans un récipient en métal avec un couvercle hermétique. Le récipient de cendres dûment fermé devrait être placé sur un plancher non combustible ou par terre, à l'écart de tout matériau combustible en attendant sa destruction définitive. Si les cendres sont enterrées dans le sol ou sinon dispersées localement, elles devraient être conservées dans un récipient fermé jusqu'à ce que toutes les cendres soient complètement refroidies.

### La créosote de bois

La créosote de bois est une substance semblable à de la suie ou à du goudron qui produit de la fumée noire lorsqu'elle brûle. La créosote se forme lorsque les granules en combustion libèrent des vapeurs organiques qui se combinent à l'humidité ambiante. Au fur et à mesure que le mélange de vapeur refroidit, il s'accumulera à l'intérieur de la chambre de cuisson et en particulier dans le filtre à graisse et dans la cheminée. Lorsque la créosote est allumée, elle produit un feu extrêmement chaud. La graisse accumulée peut également se combiner avec la créosote accumulée. La combinaison de ces deux éléments peut provoquer un incendie. La créosote peut également se former lorsque le pot à feu est mal entretenu, que ce dernier est trop rempli de granules ou lorsque le flux d'air vers le pot à feu est partiellement ou complètement bloqué. **Il devient dangereux de faire fonctionner l'appareil lorsque la fumée ou les flammes deviennent noires, couvertes de suie, ou lorsque le pot à feu est trop rempli de granules.** En cas d'incendie, éteignez l'appareil, gardez le couvercle fermé jusqu'à ce que les flammes soient éteintes. Laissez l'appareil refroidir avant de le déplacer. Inspectez soigneusement l'appareil et nettoyez à l'intérieur de la chambre de cuisson, du couvercle et de la cheminée. Nettoyez également tous les composants de cuisson internes. La cheminée et le filtre à graisse doivent être inspectés au moins deux fois par an afin de déterminer quand une accumulation de graisse ou de créosote s'est produite. Reportez-vous à la section Entretien et maintenance pour plus d'information.



## INSTRUCTIONS D'UTILISATION

---

### Le monoxyde de carbone

Le monoxyde de carbone est un gaz incolore, inodore et insipide produit par la combustion d'essence, de bois, de propane, de charbon de bois ou d'autres combustibles. Les appareils mal ventilés, en particulier dans un espace hermétiquement fermé, peuvent permettre au monoxyde de carbone de s'accumuler à des niveaux dangereux. Les signes et les symptômes d'une intoxication au monoxyde de carbone peuvent inclure : de la céphalée de tension, de la faiblesse, des étourdissements, des nausées ou des vomissements, des essoufflements, de la confusion, de la vision trouble ou de la perte de conscience. Consultez immédiatement un médecin si l'un de ces symptômes est présent lors de l'utilisation ou la proximité de cet appareil.

L'intoxication au monoxyde de carbone peut être aggravée par la consommation de drogues ou d'alcool. Le monoxyde de carbone est particulièrement toxique pour la mère et pour l'enfant pendant la grossesse, pour les nourrissons, pour les personnes âgées, pour les fumeurs, et pour les personnes souffrant de troubles dans le système circulatoire, tels que l'anémie ou les maladies cardiaques.

**Codes d'erreur — reportez-vous à la section Dépannage (Page 60) pour plus**

#### **LEr (Alarme de basse température)**

La température du gril est tombée au-dessous de 120° pendant plus de 20 minutes.

#### **HEr (Alarme de haute température)**

La température du gril atteint plus de 550°.

#### **Er 1**

La sonde de température n'est pas correctement connectée au panneau de commande.

#### **Er 2**

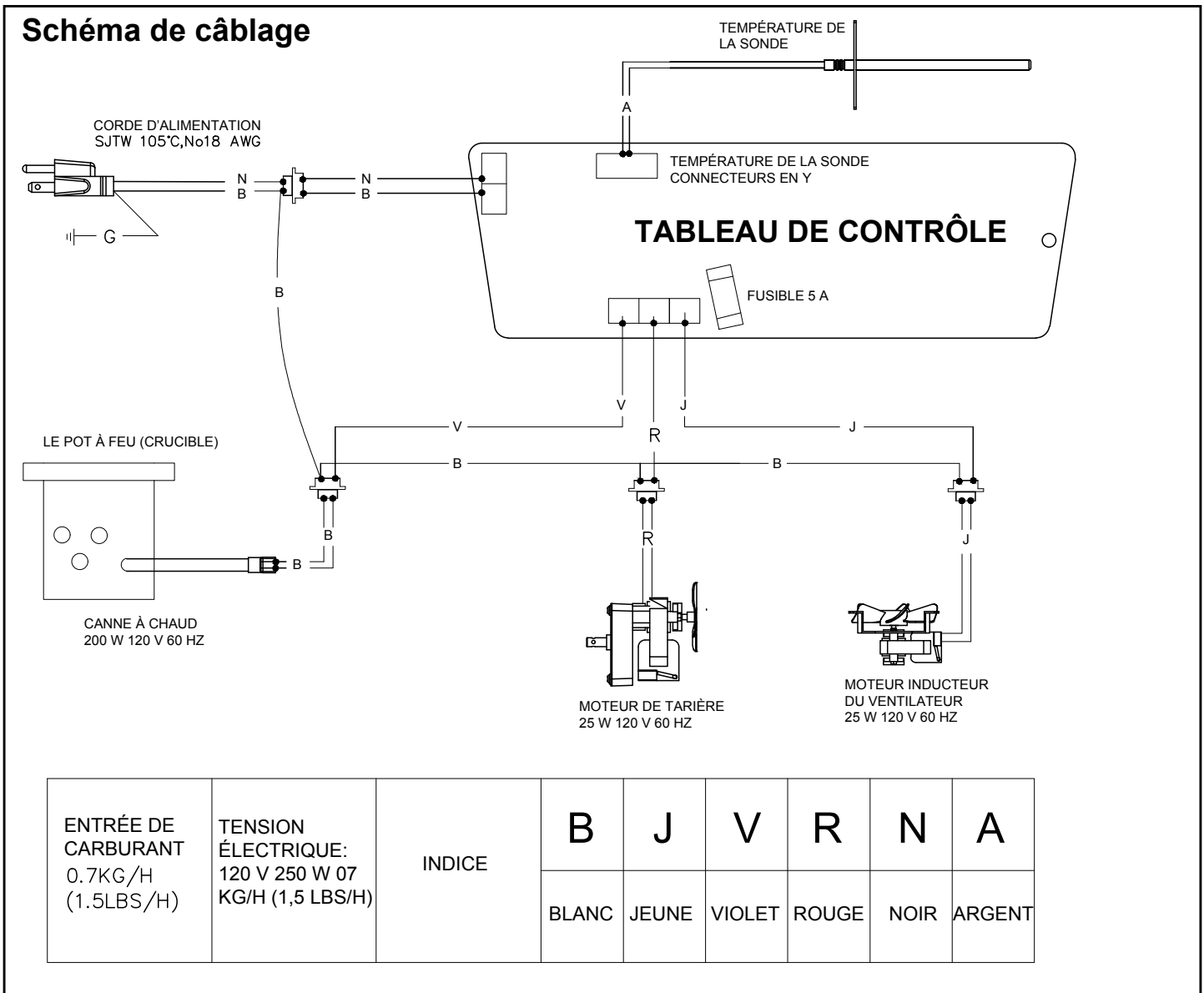
Alarme de sécurité avec cadran de température.

## **! ATTENTION !**

**N'APPUYEZ PAS SUR LE BOUTON DE MISE EN MARCHÉ OU DÉBRANCHEZ L'APPAREIL LORSQUE LE VENTILATEUR FONCTIONNE PENDANT LE CYCLE D'ARRÊT. LE GRIL S'ARRÊTERA AUTOMATIQUÉMENT À LA FIN DU CYCLE. L'INTERRUPTION DU CYCLE D'ARRÊT POURRAIT ENTRAÎNER UN INCENDIE DANS LA CHAMBRE DE LA TRÉMIE.**

# INSTRUCTIONS D'UTILISATION

- Afin de garder un fonctionnement optimal, il est fortement recommandé de nettoyer le fumoir après chaque utilisation. Effectuez toujours l'entretien lorsque l'appareil est complètement refroidi et débranchez-le de la prise électrique.
- Des brosses en plastique ou en soies peuvent être utilisées pour nettoyer les taches tenaces.
- **N'utilisez PAS** de laine d'acier ou des brosses métalliques. Des bouts peuvent se détacher de la brosse et toucher les pièces électriques, créant le risque d'électrocution.
- Nettoyez les grilles de cuisson avec de l'eau chaude savonneuse ou avec une solution d'eau et de bicarbonate de soude. Une poudre nettoyante non abrasive peut être utilisée sur les taches tenaces.
- Nettoyez le plateau à graisse avec un chiffon humide et avec de l'eau chaude savonneuse. Laissez le plateau à graisse refroidir complètement avant de le nettoyer.
- Suivez tous les avertissements et précautions de sécurité avant de retirer la viande de cet appareil ou de le préparer pour l'entreposage. Veuillez consulter la page 36 pour les avertissements et les mesures importantes de protection.



## CONSEILS POUR LE FUMAGE

L'association des granules de bois avec un type d'aliment spécifique dépendra des préférences de l'utilisateur. Cette page peut être utilisée comme ligne directrice générale pour acquérir la saveur idéale.

- Les granules de bois fabriqués à partir de caryer, de noix de pécan, de pomme, de cerisier ou de mesquite brûlent généralement plus lentement et produisent plus de fumée sur de plus longues périodes.

- Ne prétrempiez pas les granules avant utilisation.

Voici une liste des bois de fumée les plus populaires et quelques informations sur chacun.

Type de granules de bois	Nourriture suggérée	Commentaires
Pomme	Toutes les viandes	Saveur douce et sucrée avec une légère touche de saveur fruitée. Chaque espèce de bois de pommier devrait offrir une saveur légèrement différente. La fumée de pomme produit un effet brunissant attrayant
Cerise	Pork and Beef	Saveur légère et fruitée.
Caryer	Pork and Beef	Le caryer est sans doute le bois de prédilection pour fumer. Le caryer produit une saveur très forte. Nous vous recommandons donc d'entamer lentement avec ce bois.
Érable	Pork and Poultry	Léger et sucré.
Mesquite	Beef, Chicken, and Fish	Ce bois brûle très chaud, alors soyez prudent. Tout comme le caryer, le mesquite produit une saveur forte.
Mélange de saveurs	Red Meats, Game. Ribs and Fish	Mélange de bois de fruitiers et de bois durs donnant des saveurs sucrées, épicées et salées. Utilisez ces granules prémélangés en cas de doute.
Noix de pacane	Côtes levées et viande rouge	Produit une fumée légère qui offre une saveur douce et de noisette.

## TEMPÉRATURES SUGGÉRÉES DE FUMAGE ET DE LA VIANDE

	Températures suggérées de fumage	Températures minimales de sécurité des aliments
<b>Gibier</b>		
<b>Côtelettes, steaks et rôtis (le cerf, le wapiti, l'original, le caribou/renne, l'antilope et l'antilope de l'Amérique)</b>		
Bien cuit	225° F (107.2° C)	170° F (77° C)
<b>Grand gibier</b>		
Ours, bison, bœuf musqué, morse, etc.	250 - 300° F (121 - 149° C)	165° F (74° C)
<b>Petit gibier</b>		
Lapin, rat musqué, castor, etc.	225 - 240° F (107.2 - 115.6° C)	165° F (74° C)
<b>Viande hachée</b>		
Viande hachée et mélanges de viande	250 - 300° F (121 - 149° C)	165° F (74° C)
Chevreuril haché et saucisson	250 - 300° F (121 - 149° C)	165° F (74° C)
<b>Gibier à plumes/gibier d'eau (dinde sauvage, canard, oie, perdrix et faisan)</b>		
Entier	250° F (121° C)	165° F (74° C)
Poitrines et rôtis	250° F (121° C)	165° F (74° C)
Cuisses, ailes	250° F (121° C)	165° F (74° C)
Farce (cuite seule ou dans un oiseau)	250° F (121° C)	165° F (74° C)

### Conseils supplémentaires

Assaisonnez les aliments avec des épices, des herbes, des mélanges d'épices ou des sauces de votre choix avant de suivre ces étapes de base. Les temps de cuisson varient en fonction de la température ambiante et de la température de la viande de votre choix.

### Smoking Ribs:

Lorsque vous fumez des côtes levées, suivez la règle 3-2-1 :

3 heures en utilisant le réglage "FUMÉE" (côtes non emballées) 2 heures à 225F (côtes emballées dans un papier d'aluminium) 1+ heure pour "fixer" avec la sauce préférée (la sauce est facultative, mais le papier d'aluminium doit être retiré)

### Fumage de l'épaule de porc:

Prévoyez au moins 1,5 heure de cuisson par livre à 225 F.

Régalez le cadran de température sur « Fumée » pendant au moins 5 minutes, puis réglez la température sur 225 F et laissez l'appareil préchauffer pendant au moins 15 minutes.

Placez la viande à l'intérieur de l'appareil et cuisez pendant 3 heures. Vaporisez la viande avec de l'eau ou du jus de pomme toutes les heures afin de garder la viande humide.

Placez la viande sur une plaque à pâtisserie en aluminium pour le temps de cuisson qui reste.

Utilisez une sonde à viande pour déterminer quand la viande a atteint la température désirée.

Reportez-vous à la section Températures de fumage et de viande suggérée sur cette page et à la section Sonde à viande à la page 50 pour fixer la sonde et localiser le réglage de température sur l'écran du panneau de commande.

	Températures suggérées de fumage	Températures minimales de sécurité des aliments
<b>Viandes, volaille, poisson</b>		
<b>Bœuf, veau et agneau (morceaux et pièces entières)</b>		
Rosée	225° F (107.2° C)	145° F (63° C)
À point	225° F (107.2° C)	160° F (71° C)
Bien cuit	225° F (107.2° C)	170° F (77° C)
<b>Porc (jambon, rôti de porc, côtes levées)</b>		
Porc (morceaux et coupes complètes)	225 - 240° F (107.2 - 115.6° C)	160° F (71° C)
<b>Ground meat and meat mixtures (burgers, sausages, meatballs, meatloaf, casseroles and mechanically tenderized beef)</b>		
Bœuf, veau (attendris mécaniquement), agneau let porc	250 - 275° F (121 - 135° C)	160° F (71° C)
Volaille (poulet et dinde)	250 - 275° F (121 - 135° C)	165° F (74° C)
<b>Volaille (poulet, dinde, canard)</b>		
Morceaux	250° F (121° C)	165° F (74° C)
Entier	250° F (121° C)	165° F (74° C)
<b>Fruits de mer</b>		
Poisson	225 - 240° F (107.2 - 115.6° C)	158° F (70° C)
Crustacés (crevettes, homard, crabe, pétoncles, palourdes, moules et huitres)	225 - 240° F (107.2 - 115.6° C)	165° F (74° C)
Comme il est difficile d'utiliser un thermomètre pour aliments afin de vérifier la température des fruits de mer, jetez ceux qui ne s'ouvrent pas à la cuisson.		

## ENTRETIEN ET MAINTENANCE

### SÉCURITÉ ET ENTRETIEN APRÈS UTILISATION

#### ⚠ ATTENTION ⚠

- Soyez prudent lorsque vous soulevez l'appareil et le déplacez afin d'éviter les entorses et les lésions. Il est recommandé que deux personnes soulèvent ou déplacent l'appareil.
- **Ne l'entreposez pas** ni l'utilisez près de l'essence ou d'autres liquides combustibles ou là où d'autres vapeurs combustibles peuvent être présentes. Gardez l'endroit autour de l'appareil dégagé et exempt de matériaux combustibles et de vapeurs.
- **NE le rangez PAS** dans un endroit accessible aux enfants ou aux animaux domestiques. Rangez-le dans un endroit sec et protégé.
- **NE** permettez à personne d'effectuer des activités autour de l'appareil après son utilisation jusqu'à ce qu'il ait refroidi. L'appareil est chaud pendant le fonctionnement et il reste chaud pendant un certain temps après l'utilisation.
- **NE laissez PAS** des cendres chaudes sans surveillance jusqu'à ce que l'appareil ait complètement refroidi.
- L'appareil devient extrêmement chaud. Laissez-le refroidir complètement avant de le manipuler. Laissez-le refroidir avant de retirer le plateau à graisse et de le nettoyer.
- Éliminez les cendres froides en les plaçant dans un récipient en métal scellé. Rangez l'contenant scellé sur une surface non combustible à l'écart de tous les matériels combustibles. Utilisez toujours des mitaines de four ou des gants de cuisine résistants à la chaleur pour arriver à l'intérieur de l'appareil pendant et après son utilisation.

#### ⚠ MISE EN GARDE ⚠

Toutes les procédures d'entretien et de maintenance doivent être effectuées lorsque l'appareil est éteint, débranché et complètement refroidi. Pour nettoyer l'intérieur et l'extérieur de la chambre de cuisson, utilisez simplement un chiffon humide. Le lavage avec une buse de tuyau d'arrosage n'est pas recommandé. L'humidité doit être essuyée et elle ne doit pas rester à l'intérieur ou par-dessus de l'appareil. Si de la rouille est présente sur la surface **extérieure** de l'appareil, nettoyez la zone avec de la laine d'acier ou de la toile émeri et utilisez une peinture résistante à la chaleur. **N'appliquez JAMAIS** de peinture supplémentaire à l'intérieur de l'appareil.

HORAIRE D'ENTRETIEN ET D'ENTRETIEN RECOMMANDÉ (À EFFECTUER QUAND L'APPAREIL EST COMPLÈTEMENT FRAIS)

PARTIE/ZONE	FRÉQUENCE	MÉTHODE
Pot à feu	Après chaque séance de grill ou de fumage	Ramassez les cendres restantes à la main et les aspirez
Grilles de cuisson	Après chaque séance de grill ou de fumage	Brulage après la séance/frottage une avec brosse en laiton
Plateau à graisse et roue d'amortissement	Après chaque séance de grill ou de fumage	Tampon à récurer et eau chaude savonneuse
Goulotte à graisse	Après chaque séance de grill ou de fumage	Tampon à récurer et eau chaude savonneuse
Tarière	Lorsque la sciure de granules restante est versée dans la trémie	Videz la trémie des granules, allumez l'appareil et laissez la tarière éliminer la sciure jusqu'à ce qu'elle soit vide.
Sonde de température	Toutes les 4 à 5 séances de grill ou de fumage	Tampon à récurer et eau chaude savonneuse
Le couvercle de la cheminée	Toutes les 4 à 5 séances de grill ou de fumage	Frottez l'intérieur de la pile et du couvercle avec de l'eau chaude savonneuse.

## DÉPANNAGE

Si vous avez des questions concernant l'appareil, appelez notre service à la clientèle au 1-877-447-4768, de 8 h à 16 h 30 HNC, du lundi au vendredi.

PROBLÈME	CAUSE POSSIBLE	MESURE CORRECTIVE
L'unité ne s'allume pas/pas d'énergie.	<ul style="list-style-type: none"> <li>• Non-connectivité à la source d'alimentation, la prise DDFT s'est déclenchée.</li> <li>• Fusible grillé sur le panneau de commande.</li> </ul>	<ul style="list-style-type: none"> <li>• Assurez-vous que l'unité est branchée sur une source d'alimentation qui fonctionne. Réinitialisez le disjoncteur de sortie. Assurez-vous que le DDFT soit capable de gérer une charge de 10 A. (reportez-vous au schéma de câblage pour l'accès aux composants électriques). Assurez-vous que toutes les connexions de fils soient fermement connectées et exemptes d'humidité.</li> <li>• Votre appareil est équipé d'un fusible de rechange. Contactez le service à la clientèle pour obtenir des instructions détaillées pour le remplacement.</li> </ul>
Pas de chaleur dans le gril	<ul style="list-style-type: none"> <li>• L'appareil est éteint.</li> <li>• Aucune énergie.</li> <li>• Contrôleur ou élément chauffant défectueux.</li> <li>• La trémie à granules est vide.</li> </ul>	<ul style="list-style-type: none"> <li>• Allumez l'appareil :</li> <li>• Vérifiez s'il y a des disjoncteurs déclenchés, et les réinitialisez, si nécessaire.</li> <li>• Vérifiez si le DDFT (Disjoncteur de fuite à terre) est défectueux ou déclenché à la sortie. Réinitialisez le DDFT ou remplacez-le, si nécessaire.</li> <li>• Si le disjoncteur ou le DDFT continue de se déclencher, utilisez une prise différente sur un circuit de disjoncteur séparé.</li> <li>• Essayez un autre appareil qui fonctionne dans la prise.</li> <li>• Remplacez le contrôleur ou l'élément chauffant.</li> <li>• Remplissez la trémie de granules de bois.</li> </ul>
Le disjoncteur se déclenche ou le fusible saute.	<ul style="list-style-type: none"> <li>• Un autre appareil est branché sur le même circuit que le gril (trop d'appareils utilisant le même circuit).</li> <li>• L'humidité ou l'eau dans le contrôleur, la connexion du cordon ou la connexion de sortie.</li> <li>• Cordon endommagé ou effiloché.</li> <li>• Connexion électrique endommagée.</li> </ul>	<ul style="list-style-type: none"> <li>• Trouvez une autre prise sur un circuit séparé.</li> <li>• Gardez toutes les connexions sèches et exemptes d'humidité. N'utilisez PAS cet appareil sous la pluie ou lorsque la neige tombe.</li> <li>• Éteignez-le, débranchez-le et vérifiez que le cordon n'est pas endommagé. Remplacez-le, si nécessaire.</li> <li>• Remplacez le contrôleur.</li> </ul>
L'appareil ne génère pas assez de chaleur.	<ul style="list-style-type: none"> <li>• Il n'a pas été suffisamment préchauffé ou la température a été réglée trop bas.</li> <li>• Couvercle laissé ouvert.</li> <li>• Rallonge incorrecte.</li> <li>• La trémie à granules est vide.</li> <li>• La tarière est bloquée.</li> </ul>	<ul style="list-style-type: none"> <li>• Préchauffez l'appareil pendant 15 à 20 minutes. Augmentez les réglages de température par le contrôleur.</li> <li>• Fermez le couvercle.</li> <li>• Utilisez un cordon conçu pour une utilisation en extérieur à 15 ampères.</li> <li>• Ajouter des granules.</li> <li>• Retirez les composants de cuisson internes, allumez l'appareil, réglez le cadran de température sur « FUMÉE », et inspectez visuellement la tarière à l'intérieur du pot à feu et à l'intérieur de la trémie à granulés. Si la tarière ne tourne pas, contactez le service à clientèle pour une assistance supplémentaire.</li> </ul>

PROBLÈME	CAUSE POSSIBLE	MESURE CORRECTIVE
Très peu de fumée ou aucune provenant de l'appareil.	<ul style="list-style-type: none"> <li>• Pas assez de granules.</li> </ul>	<ul style="list-style-type: none"> <li>• Ajoutez des granules de bois dans la trémie à granules.</li> </ul>
La température clignote sur l'écran du panneau de contrôle	<ul style="list-style-type: none"> <li>• La température de l'appareil est tombée au-dessous de 120 F.</li> </ul>	<ul style="list-style-type: none"> <li>• Le pot à feu risque de s'éteindre. Si la température n'augmente pas au-dessus de 120F, vérifiez la trémie pour toute obstruction. Vérifiez le pot à feu s'il y a de l'accumulation de cendres, et suivez les instructions d'entretien et de maintenance pour en retirer en toute sécurité. Vérifiez la jauge/sonde de température interne et suivez les instructions d'entretien et de maintenance pour le nettoyage. Assurez-vous que l'air circule dans le pot à feu, et suivez la vérification du système de cuisson si le flux d'air est faible. Confirmez que la tarière tourne et qu'il n'y a pas de blocage dans le tube de cette dernière. Évitez d'ouvrir le couvercle fréquemment.</li> </ul>
Flambées.	<ul style="list-style-type: none"> <li>• La viande contient des quantités excessives de graisse.</li> <li>• La température est trop élevée.</li> <li>• Accumulation de graisse.</li> </ul>	<ul style="list-style-type: none"> <li>• Coupez la quantité appropriée de graisse avant la cuisson.</li> <li>• Baissez la température si nécessaire.</li> <li>• Nettoyez le plateau à graisse selon les instructions.</li> </ul>
Feu de graisse persistant.	<ul style="list-style-type: none"> <li>• Trop d'accumulation sur le plateau de récupération de graisses.</li> </ul>	<ul style="list-style-type: none"> <li>• Tournez le cadran sur "Cycle d'arrêt" et gardez le couvercle fermé pour permettre au feu de s'éteindre. <b>N'utilisez PAS d'eau pour éteindre le feu. Blessures peuvent en résulter.</b> Laissez l'appareil refroidir avant de retirer le plateau à graisse et de le nettoyer.</li> </ul>

PROBLÈME	CAUSE POSSIBLE	MESURE CORRECTIVE
<p>Code d'erreur du panneau de contrôle (LEr, HEr, Er1, Er2)</p>	<ul style="list-style-type: none"> <li>• <b>LEr — Alarme de basse température</b> la température du gril est tombée au-dessous de 120° pendant plus de 20 minutes.</li> <li>• <b>HEr — alarme de température élevée</b> la température du gril atteint plus de 550 °F. Le fumoir a surchauffé, peut-être à cause de la graisse au feu ou des granules excessifs à l'intérieur du pot à feu.</li> <li>• <b>Er 1 — la sonde de température n'est pas correctement connectée</b></li> <li>• <b>Alarme de sécurité avec cadran de température.</b></li> </ul>	<ul style="list-style-type: none"> <li>• <b>LEr</b> — cette erreur n'affectera pas l'unité. Le pot à feu risque de s'éteindre. Vérifiez si la trémie n'est pas obstruée. Vérifiez le pot à feu s'il y a de l'accumulation de cendres, et suivez les instructions d'entretien et de maintenance pour en retirer en toute sécurité. Vérifiez la jauge/sonde de température interne et suivez les instructions d'entretien et de maintenance pour le nettoyage. Nettoyez. Assurez-vous que l'air circule dans le pot à feu, et suivez la vérification du système de cuisson si le flux d'air est faible. Confirmez que la tარიère tourne et qu'il n'y a pas de blocage dans le tube de cette dernière. Évitez d'ouvrir le couvercle fréquemment.</li> <li>• <b>LEr</b> — cette erreur n'affectera pas l'unité. Tournez le cadran de contrôle de la température sur « Cycle d'arrêt » et laissez le ventilateur souffler jusqu'à ce que le cycle soit terminé. En cas de feu de graisse, fermez le couvercle et laissez le feu s'éteindre. Laissez l'appareil refroidir complètement avant de le rallumer.</li> <li>• <b>Er1</b> — assurez-vous que la sonde de température est correctement connectée au panneau de commande.</li> <li>• <b>Er2</b> — tournez le cadran de contrôle de la température sur « Cycle d'arrêt » et laissez le ventilateur souffler jusqu'à ce que le cycle soit terminé. Une fois le cycle d'arrêt terminé, allumez l'appareil et réglez-le à la température désirée. Si le problème persiste, veuillez contacter notre service à la clientèle. Le soutien supplémentaire</li> </ul>

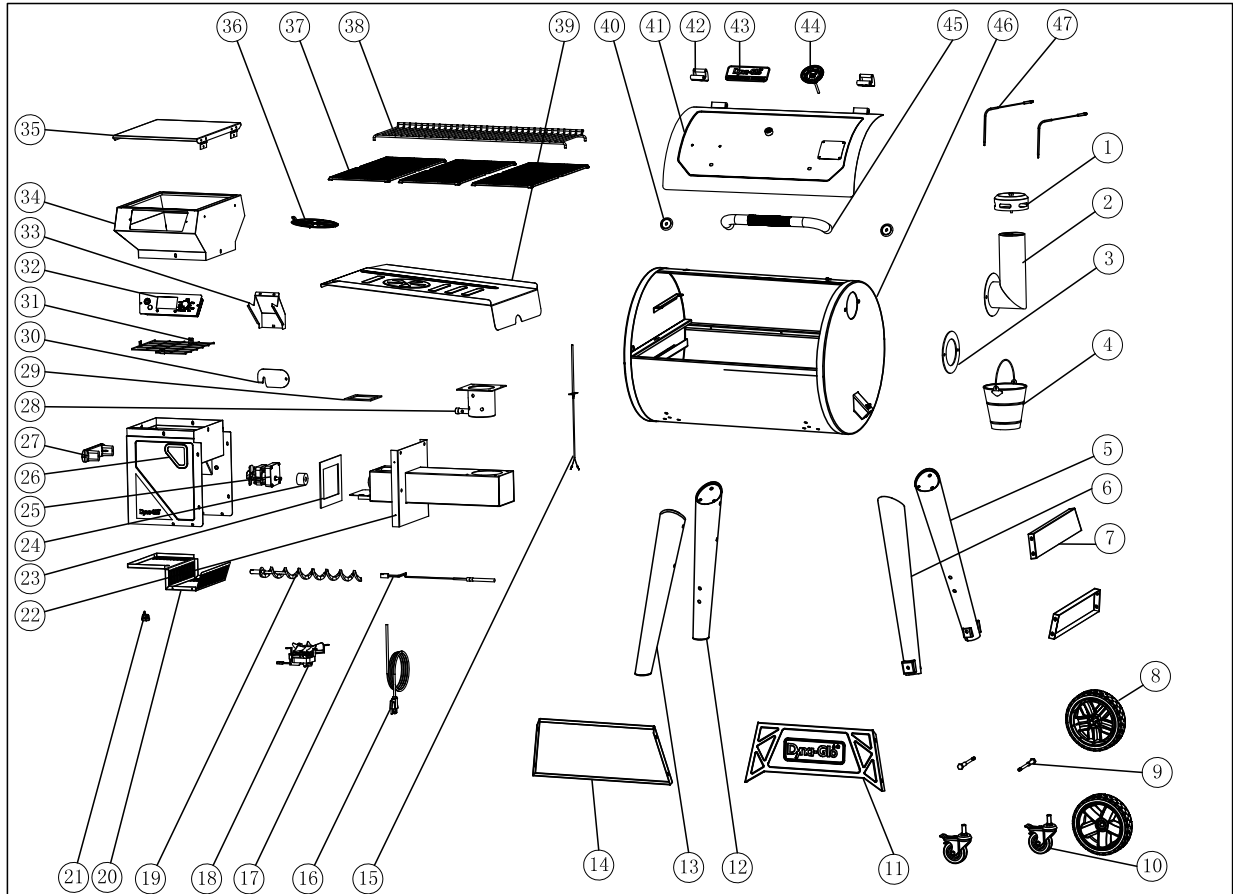


## LISTE DE PIÈCES DE RECHANGE

Pour les pièces de rechange, appelez notre service à la clientèle au 1-877-447-4768, de 8 h à 16 h 30 HNC, du lundi au vendredi ou envoyez-nous un courriel à [customerservice@ghpgroupinc.com](mailto:customerservice@ghpgroupinc.com).

PIÈCE	DESCRIPTION	NO. DE PIÈCE
1	Capuchon de la cheminée	70-02-246
2	Cheminée	70-02-247
3	Joint de la cheminée	70-02-249
4	Seau à graisse	70-02-186
5	Pied arrière droit	70-02-235
6	Pied avant droit	70-02-236
7	Panneau latéral (1 pièce)	70-02-237
8	Roue (1 pièce)	70-02-238
9	Essieu de la roue (1 pièce)	70-02-239
10	Roulettes (1 pièce)	70-02-203
11	Panneau avant	70-02-240
12	Pied arrière gauche	70-02-241
13	Pied avant gauche	70-02-242
14	Panneau arrière	70-02-243
15	Sonde de température	70-02-262
16	Cordon d'alimentation	70-02-208
17	Tige d'allumage	70-02-188
18	Moteur de ventilateur	70-02-194
19	Tarière	70-02-776
20	Grille de sécurité de trémie inférieure	70-02-777
21	Isolateur de cordon d'alimentation	70-02-209
22	Boîtier de tarière/creuset	70-02-778
23	Isolation du boîtier de tarière	70-02-190
24	Accouplement de tarière	70-02-191
25	Moteur de tarière	70-02-244
26	Trémie inférieure	70-02-779
27	Poignée latérale	70-02-210
28	Creuset (Pot à combustion)	70-02-187
29	Caoutchouc mousse	70-02-780
30	Porte de trémie arrière	70-02-781
31	Écran de trémie	70-02-782
32	Panneau de commande	70-02-783
33	Bouclier du panneau de commande	70-02-784
34	Trémie supérieure	70-02-785
35	Couvercle de trémie	70-02-786
36	Volant	70-02-225
37	Grille de cuisson (1 pièce)	70-02-787
38	Grille de chauffage	70-02-788
39	Plateau à graisse (sans volant)	70-02-789
40	Lunettes de poignée du couvercle (1 pièce)	70-02-220
41	Couvercle (sans indicateur de température, poignée, insigne, ni charnières)	70-02-791
42	Charnière du couvercle (1 pièce)	70-02-183
43	Insigne	70-02-218
44	Indicateur de température analogique	70-02-219
45	Poignée du couvercle	70-02-217
46	Corps principal du gril	70-02-245
47	Sonde de viande (1 pièce)	70-02-213
	Kit de matériel	70-09-580
	Mode d'emploi	70-10-728

# LISTE DE PIÈCES DE RECHANGE



## GARANTIE

---

Ce gril à granules de bois et fumoir est garanti contre les pièces cassées ou endommagées au moment de l'achat. La tige d'allumage est garantie pour 3 ans. Toutes les autres pièces sont couvertes par une garantie limitée d'un (1) an. La peinture est garantie sans défaut pendant 90 jours, à l'exception de la rouille, qui peut apparaître après une utilisation répétée.

Cette garantie ne couvre pas les dommages ou les problèmes liés à la négligence, à l'abus, ou aux modifications apportées à l'appareil. Les couts reliés à la main-d'œuvre ne sont pas couverts.

Toutes les pièces qui répondent aux exigences de la garantie seront expédiées sans frais à la discrétion de GHP Group Inc. (par expéditions terrestres, par la poste américaine ou par colis postal UNIQUEMENT). Tous frais de traitement privilégié (c.-à-d.

Deuxième jour, du jour au lendemain, etc.) seront facturés au consommateur.

Toutes les réclamations pour la garantie s'appliquent à l'acheteur d'origine seulement. En plus, ces réclamations exigent une preuve d'achat afin de valider quand le produit a été acheté. Ne retournez pas de pièces à notre adresse sans obtenir au préalable un numéro d'autorisation de retour émis par notre service à la clientèle. Ce service est ouvert de 8 h à 16 h 30 HNC, du lundi au vendredi en composant sans frais le 1-877-447-4768.

Certains États ne permettent pas l'exclusion ou la limitation des dommages consécutifs, ou la limite de la durée d'une garantie implicite, donc les limitations susmentionnées ou les exclusions peuvent ne pas s'appliquer. La présente garantie vous donne des droits légaux spécifiques, et vous pouvez éventuellement avoir également d'autres droits pouvant varier d'un état à l'autre.

Groupe GHP Inc.  
6440 W. Howard Street, Niles, Illinois, États-Unis  
60714-3302

Nom de l'appareil : Gril à granules de bois et fumoir  
MODÈLE # DGSS7002BPW/ DGSS7002BPW-D/  
DGSS7002SPW/DGSS7002SPW-D/DGSS7002BRPW/DGSS7002BRPW-D  
Tension nominale : 110-120  
V CA fréquence nominale :  
60 Hz Puissance du moteur de la tarière : 25 W  
Puissance du moteur du  
ventilateur : 25 W Puissance  
de l'allumeur : 200 W

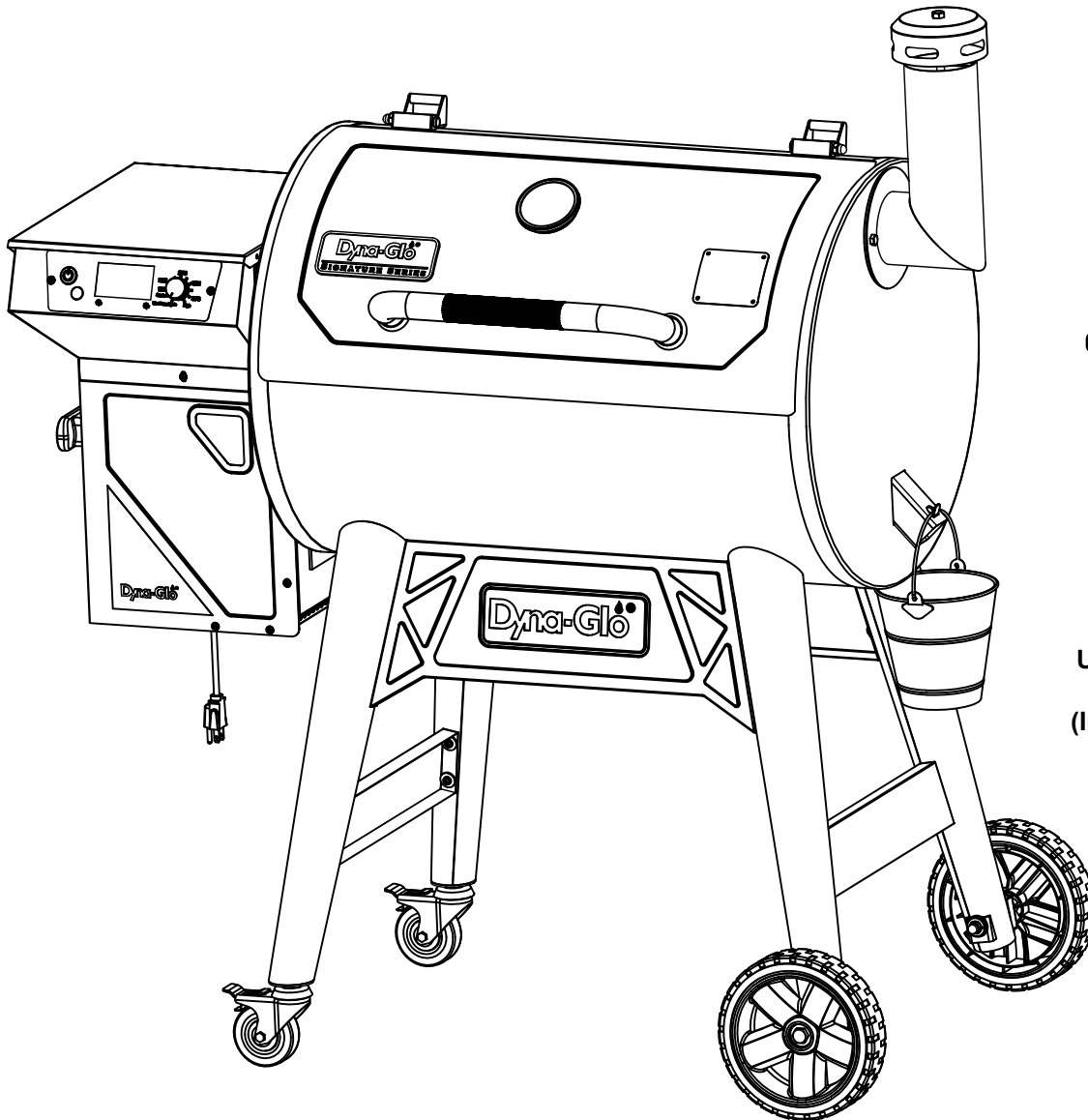


# Parrilla y Ahumador de Pellets de Madera

MODELO # DGSS7002BPW/DGSS7002BPW-D/  
DGSS7002SPW/DGSS7002SPW-D  
DGSS7002BRPW/DGSS7002BRPW-D

English p. 1

Français p. 34



**SOLO PASA USO EXTERIOR**  
Utilice solo con clase AGFI  
(Interruptor de falla de suelo)

**ADJUNTE AQUÍ SU RECIBO**

Número de serie \_\_\_\_\_ Fecha de compra \_\_\_\_\_



**¿Preguntas, problemas, piezas faltantes?** Antes de regresar a su distribuidor, llame a nuestro Departamento de Servicio al Cliente al 1-877-447-4768, 8:00 a.m. -- 4:30 p.m. CST, de lunes a viernes o envíenos un correo electrónico a [customerservice@ghpgroupinc.com](mailto:customerservice@ghpgroupinc.com).

70-10-728

Rev. 08/20/21

# UNA DE LAS CAUSAS PRINCIPALES DE INCENDIOS ES NO MANTENER LOS ESPACIOS REQUERIDOS (ESPACIOS DE AIRE) DE LOS MATERIALES DE COMBUSTIBLE. ES MUY IMPORTANTE QUE ESTE PRODUCTO SE INSTALE SÓLO DE ACUERDO CON ESTAS INSTRUCCIONES.

## ÍNDICE

---

Información de seguridad .....	70
Contenido del paquete .....	75
Contenido del hardware .....	76
Instrucciones de montaje .....	77
Instrucciones de funcionamiento .....	85
Consejos para el ahumado .....	92
Cuidado y mantenimiento .....	94
Resolución de problemas .....	95
Lista de piezas de repuesto .....	98
Garantía .....	100

Lea este manual completo antes de instalar y usar el aparato de combustión de pellets. No seguir estas instrucciones podría resultar en daños a la propiedad, lesiones corporales o incluso la muerte. Comuníquese con los oficiales de bomberos o de construcción locales sobre las restricciones en su área.

Ensamblador / Instalador: Este manual de instrucciones contiene información importante necesaria para el montaje adecuado y uso seguro de este aparato. Lea y siga todas las advertencias e instrucciones antes de ensamblar y usar este aparato. **Deje estas instrucciones con el consumidor.**

**Consumidor / Usuario: Siga todas las advertencias e instrucciones al usar este aparato.**

**SAVE THESE INSTRUCTIONS**

## ! INFORMACIÓN DE SEGURIDAD

Lea y comprenda todo este manual antes de intentar ensamblar, operar o instalar el producto. Si tiene alguna pregunta sobre el producto, llame a nuestro departamento de atención al cliente al 1-877-447-4768, de 8:00 a.m. a 4:30 p.m. CST, de lunes a viernes.

### ! PRECAUCIÓN !

- Cuando se utilizan aparatos eléctricos, siempre se deben seguir las precauciones básicas para reducir el riesgo de incendio, descarga eléctrica y lesiones.

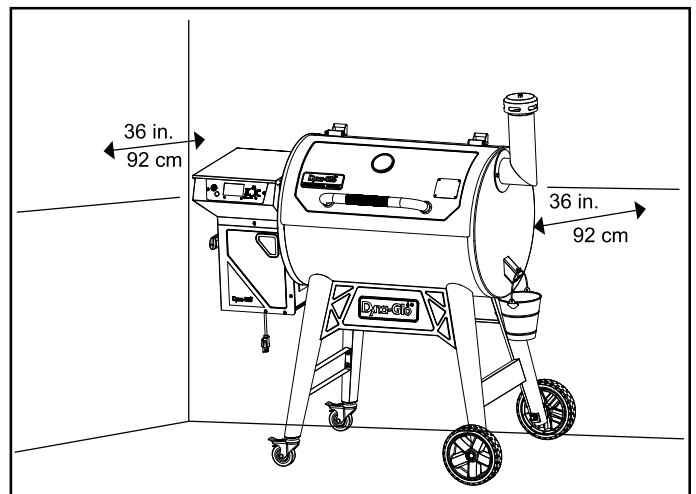
### ! PELIGRO !

- Al no seguir estas instrucciones, puede provocar un peligro de incendio o quemaduras que podría causar daños a la propiedad, lesiones personales o la muerte.

## IMPORTANT SAFEGUARDS

LEA TODAS LAS INSTRUCCIONES ANTES DE UTILIZAR ESTE APARATO

- **NO** utilice este producto para ningún otro fin que no sea el previsto. **NO** está destinado a uso comercial. **NO** está diseñado para ser instalado o utilizado en o sobre un vehículo recreativo y / o bote.
- **NO** opere este electrodoméstico con un cable o enchufe dañado o después de que el electrodoméstico no funcione correctamente, se ha caído o se ha dañado de alguna manera. Si el cable de alimentación está dañado, debe reemplazarse por el fabricante, su agente de servicio o una persona similar calificada para evitar un peligro.
- **NO** use el aparato a menos de 10 pies (3 m) de una piscina, charco, estanque u otro cuerpo de agua.
- Mantenga el aparato y el controlador eléctrico secos y fuera de la lluvia en todo momento.
- Un espacio libre mínimo de 36 pulgadas (92 cm) que requiere material combustible en el frente, los lados y atrás. Es muy importante siempre mantener las distancias adecuadas de los combustibles.
- Este aparato es para uso en exteriores solo en zonas ventiladas. **NO** lo opere bajo un techo, en un edificio, garaje o cualquier otra área cerrada, o bajo construcción aérea.



## INFORMACIÓN DE SEGURIDAD

---

- **NO** cargue pellets en la olla de fuego a mano. Esto creará una condición insegura y podría causar daños corporales o daños a su electrodoméstico.
- **NO** use el aparato durante una tormenta eléctrica.
- Esta unidad requiere un servicio de 120 voltios, 60 Hz, 200 vatios y 1,7 amperios.
- El aparato debe conectarse a una toma de corriente de tres clavijas que tenga un contacto de puesta a tierra.
- El aparato debe ser alimentado a través de un dispositivo de corriente residual (RCD) que tenga un valor residual nominal corriente de funcionamiento no superior a 30 mA. Usar solo con Clase A GFI (Interruptor de falla a tierra) circuito protegido.
- Coloque el cable de alimentación lejos de las áreas de tráfico para asegurarse de que no se tropiece.
- Para desconectar la alimentación, apague el aparato presionando y manteniendo el botón de encendido (⏻). Esperar hasta que el electrodoméstico complete el ciclo de apagado, luego retire el enchufe del tomacorriente.
- **NO** obstruya el flujo de aire ventilado del aparato.
- **NO** use este aparato como calentador.
- **NO** use carbón vegetal o combustibles similares con este aparato. Este aparato no es diseñado para usarse con carbón vegetal y se producirá un incendio si se usa carbón durante la operación. El fuego puede crear una condición insegura y dañar el aparato.
- Para usar con pellets de madera natural para asar a la parrilla. Nunca use pellets de calefacción, pellets de carbón vegetal o combustible con aditivos.
- Tenga cuidado al abrir la tapa del aparato mientras está en funcionamiento. Mantenga las manos, la cara y el cuerpo a salvo del vapor caliente o llamaradas. **NO** inhale humo.
- **NO** use ropa holgada mientras opera el aparato. Ate el cabello largo mientras opera el aparato.
- Use **SIEMPRE** zapatos que cubran completamente sus pies mientras opera el aparato.
- **NO** toque las superficies calientes. Use manijas o perillas.
- Para protegerse contra descargas eléctricas, no sumerja el cable o los enchufes en agua u otro líquido.
- Este aparato no está diseñado para que lo utilicen personas (incluidos niños) con problemas físicos, capacidades sensoriales o mentales, o falta de experiencia y conocimiento, a menos que se les haya dado supervisión o instrucción sobre el uso del aparato por una persona responsable de su seguridad.
- Desenchufe del tomacorriente cuando no esté en uso y antes de limpiarlo. Deje que se enfríe antes de poner o quitar partes
- El uso de accesorios no recomendados por el fabricante del electrodoméstico puede causar lesiones.
- **NO** lo use en interiores.
- **NO** permita que el cable cuelgue del borde de la mesa o mostrador, ni que toque superficies calientes.
- **NO** lo coloque sobre o cerca de un quemador de gas o eléctrico caliente, ni en un horno caliente.
- Se debe tener mucho cuidado al mover un aparato que contenga aceite u otros líquidos calientes.

## **! INFORMACIÓN DE SEGURIDAD**

---

- **NO** use el aparato para otro uso que no sea el indicado.
- Tenga mucho cuidado al quitar las rejillas de cocción o la bandeja de grasa o al desechar la grasa caliente.
- **NO** limpie con estropajos metálicos. Las piezas pueden desprenderse de la almohadilla y tocar partes eléctricas, creando un riesgo de descarga eléctrica.
- **NO** se debe usar combustible, como briquetas de carbón vegetal, con el electrodoméstico.
- Úselo únicamente en un tomacorriente debidamente conectado a tierra.
- Asegúrese de que las manijas estén ensambladas y sujetas correctamente. Consulte las instrucciones sobre las manijas en la página 77.

### **GUARDE ESTAS INSTRUCCIONES.**

## **! ADVERTENCIA !**

- No utilice cables de extensión de 16 o 18 medidores. Podría resultar daño al cableado del hogar y/o fuego.

### **NO SE RECOMIENDA EL USO DE UN CABLE DE EXTENSIÓN.**

#### **LEA TODAS LAS INSTRUCCIONES ANTES DE UTILIZAR UN CABLE DE EXTENSIÓN CON ESTE APARATO**

- Utilice únicamente el tipo de cable para EXTERIORES con enchufe de conexión a tierra de 3 clavijas, clasificado para 15 amperios o más, aprobado por UL, marcado con una W-A y una etiqueta que dice "apto para uso con electrodomésticos para exteriores".
- Utilice el cable de extensión más corto requerido. No conecte 2 o más cables de extensión juntos.
- No deje que el cable cuelgue del borde de la mesa u otros elementos de los que los niños puedan tirar o puedan tropezar.

#### **Interruptor de falla del suelo**

- Desde 1971, el Código Nacional Eléctrico (NEC) ha requerido dispositivos de interruptor de fallas a tierra en todos los circuitos exteriores.
- Si su residencia se construyó antes de 1971, verifique con un electricista calificado para determinar si existe un protector de interruptor de falla a tierra.
- No utilice este aparato si el circuito no tiene protección de GFI de clase A.
- No enchufe este aparato a un circuito interior.



## INFORMACIÓN DE SEGURIDAD

---

### SEGURIDAD GENERAL

LEA TODAS LAS INSTRUCCIONES ANTES DE UTILIZAR ESTE APARATO

- Este aparato es para uso en exteriores únicamente en áreas bien ventiladas. NO lo opere bajo un techo, en un edificio, garaje o cualquier otra área cerrada, o bajo construcción aérea.
- Antes de cada uso, verifique que no haya hojas muertas o escombros debajo del aparato.
- Mantenga un extintor de incendios cerca de este producto en todo momento.
- Desenchufe siempre el aparato cuando no esté en uso.
- Deje que el aparato y sus componentes se enfríen completamente antes de realizar cualquier limpieza de rutina o mantenimiento.
- NO use agua u otro líquido en aerosol para limpiar el aparato sin antes desenchufar la unidad.
- Deje que el aparato se enfríe a 115 ° F (45 ° C) antes de moverlo o guardarlo. Tenga cuidado al levantar y mover el aparato para evitar tensiones en la espalda o lesiones en la espalda.
- NO mueva el aparato mientras está en uso.
- Cuando no esté en uso, el aparato debe mantenerse alejado de los elementos o protegido con un cobertor impermeable. Deje que el aparato se enfríe completamente antes de colocar la tapa. Guarde este aparato en un lugar seco y una ubicación protegida cuando sea posible.
- El uso de accesorios no recomendados por el fabricante del electrodoméstico puede provocar lesiones o daños a la propiedad.
- Nunca use gasolina, combustible para linternas tipo gasolina, queroseno, líquido para encendedor de carbón o líquidos similares para iniciar o "refrescar" un fuego en este electrodoméstico. Mantenga todos estos líquidos alejados del aparato cuando esté en uso.

## PRECAUCIÓN

**NUNCA use gasolina, combustible para linternas tipo gasolina, queroseno, líquido para encendedores de carbón o líquidos similares para iniciar o "refrescar" un incendio en este electrodoméstico. Mantenga todos estos líquidos alejados del aparato cuando esté en uso.**

## **! INFORMACIÓN DE SEGURIDAD**

### **! ADVERTENCIA !**

#### **Para evitar lesiones graves:**

- Mantenga siempre un extintor de incendios cerca, en caso de que ocurra un incendio inesperado.
- Mientras cocina, el aparato debe estar en una superficie nivelada, estable, en un área despejada y sin material combustible, incluida la grama larga o seca.
- El uso de alcohol, medicamentos recetados o de venta libre puede afectar la capacidad del usuario para ensamblar y operar de manera segura este electrodoméstico.
- **NO** mueva el aparato mientras está en uso.
- **NO** almacene ni use este aparato cerca de gasolina u otros líquidos combustibles o donde otros vapores combustibles puedan estar presentes.
- El aparato solo debe utilizarse en áreas bien ventiladas.
- **NO** use este aparato como calentador.
- Cuando utilice el volante de cocción directa, **NO** deje el aparato desatendido mientras está en uso. Mantenga a los niños y las mascotas alejados del aparato en todo momento.
- Este aparato estará caliente durante y después de su uso. Use manoplas o guantes de horno aislados para protegerse de superficies calientes o salpicaduras de líquidos de cocción.
- **NO** cargue pellets en la olla de fuego a mano.
- **NO** mantenga la tapa cerrada por más de 1 minuto cuando el volante de la bandeja de grasa esté completamente abierto.

#### **PROPUESTA 65 DE CALIFORNIA**

### **! ADVERTENCIA !**

Este producto y los combustibles utilizados para operar este producto (solo pellet de madera), y los productos de la combustión de tales combustibles, pueden exponerlo a productos químicos, incluido el carbón negro, que es conocido por el estado de California por causar cáncer y monóxido de carbono, que es conocido por el estado de California por causar defectos de nacimiento u otro daño reproductivo.

**Para obtener más información, vaya a [www.p65warnings.ca.gov](http://www.p65warnings.ca.gov)**

### **! PELIGRO !**

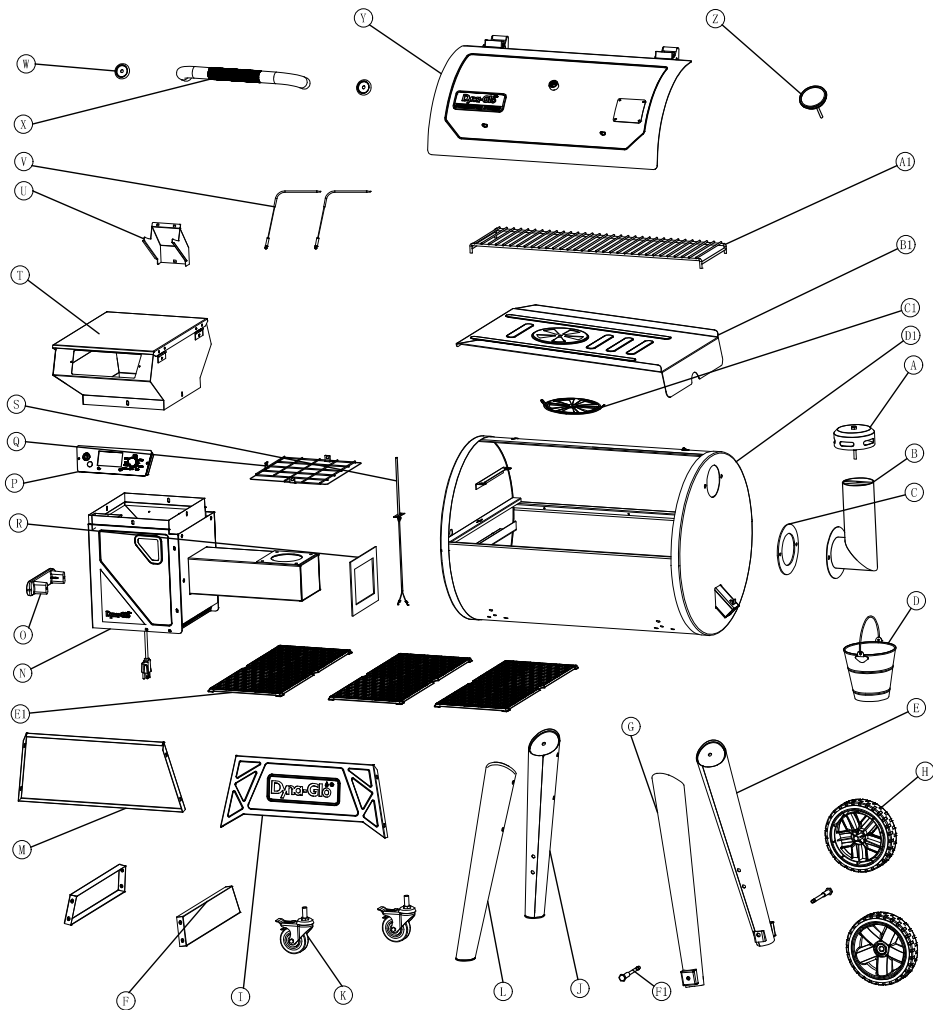
**En caso de incendio, desenchufe el ahumador del tomacorriente y deje que el fuego se apague. No use agua para extinguir el fuego en este artefacto eléctrico ni en ningún otro.**

**Para evitar un choque eléctrico, desconecte el cable de electricidad antes de limpiar el ahumador. Nunca sumerja en ningún líquido el controlador eléctrico ni ningún elemento calefactor.**

**Para evitar posibles quemaduras, asegúrese de que el ahumador esté completamente frío antes de moverlo y/o limpiar el controlador eléctrico y el elemento calefactor.**

**NO use lana de acero ni cepillos de alambre para limpiar el interior del artefacto. Se pueden desprender fragmentos y tocar las partes eléctricas, lo que genera un riesgo de choque eléctrico.**













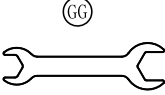
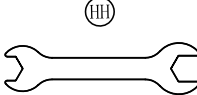





















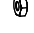
## CONTENIDOS DEL PAQUETE



PIÈCE	DESCRIPTION	QUANTITÉ	PIÈCE	DESCRIPTION	QUANTITÉ
A	Tapón de la chimenea	1	R	Aislamiento de la carcasa de la barrena	1
B	Chimenea	1	S	Sonda de temperatura	1
C	Junta de la chimenea	1	T	Embudo superior	1
D	Contenedor para la grasa	1	U	Protector del panel de control	1
E	Pata trasera derecha	1	V	Sonda para carne	2
F	Panel lateral	2	W	Bisel del asa de la tapa	2
G	Pata frontal derecha	1	X	Asa de la tapa	1
H	Rueda (1pz.)	2	Y	Tapa	1
I	Panel frontal	1	Z	Medidor de temperatura analógico	1
J	Pata trasera izquierda	1	A1	Rejilla de calentamiento	1
K	Rueditas	2	B1	Bandeja para la grasa	1
L	Pata frontal izquierda	1	C1	Volante	1
M	Panel posterior	1	D1	Cuerpo principal de la parrilla	1
N	Embudo inferior y recipiente de combustión	1	E1	Rejilla de cocción	3
O	Asa lateral	1	F1	Eje de la rueda	2
P	Panel de control	1			
Q	Pantalla del embudo	1			

## CONTENIDO DEL HARDWARE

---

 	 	 	 	 	 
Arandela de 1/3" CANT. 8	Arandela de resorte de 1/3" CANT. 2	Tuerca ciega de 5/16" CANT. 2	Perno de 1/4" x 3/5" CANT. 4	Arandela de resorte de 1/4" CANT. 4	Perno de 1/4" x 3/5" + arandela de resorte CANT. 16
		 	 	 	 
Llave abierta 1 CANT. 1	Llave abierta 2 CANT. 1	Junta de 1/4" CANT. 4	Perno hexagonal de 1/4" x 3/5" CANT. 4	Perno ST3.9 x 8 mm CANT. 5	Perno #8 x 3/8" CANT. 4
 	 	 	 	 	 
Tuerca #8 CANT. 4	Perno de 1/4" x 2 3/8" CANT. 2	Tuerca de 1/4" CANT. 2	Perno de 1/4" x 5/8" CANT. 1	Junta de 1/4" CANT. 1	Arandela de resorte de 1/4" CANT. 1
 					
Tuerca de 1/4" CANT. 1					

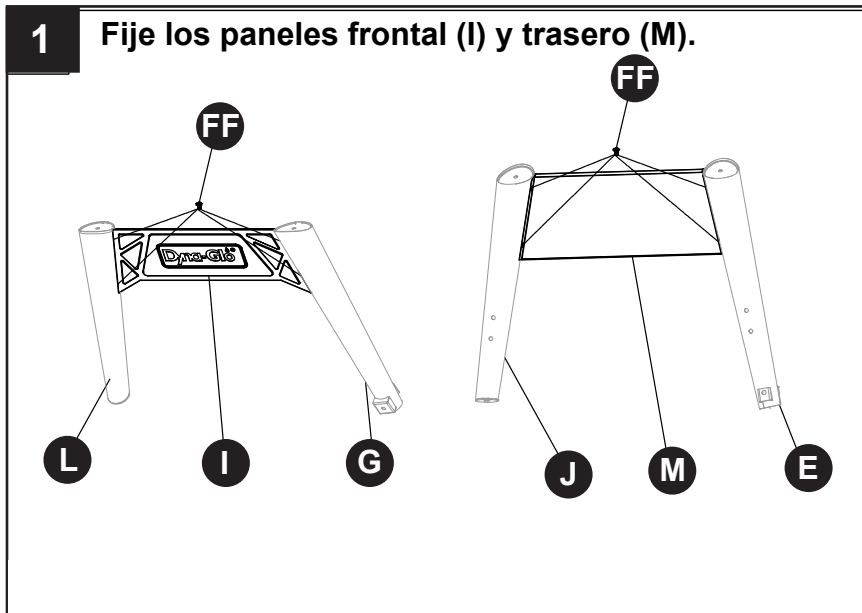
## PREPARACIÓN ANTES DEL MONTAJE

---


Antes de comenzar a ensamblar el producto, asegúrese de que todas las piezas estén presentes. Compare las piezas con la lista del contenido del paquete y la lista de contenido del hardware. Si alguna pieza falta o está dañada, no intente ensamblar el producto. Lea y comprenda todo este manual antes de comenzar a ensamblar, operar o instalar el producto. Si tiene alguna pregunta sobre el producto, llame a nuestro departamento de servicio al cliente al 1-877-447-4768, de 8:00 a.m. a 4:30 p.m. CST, de lunes a viernes.

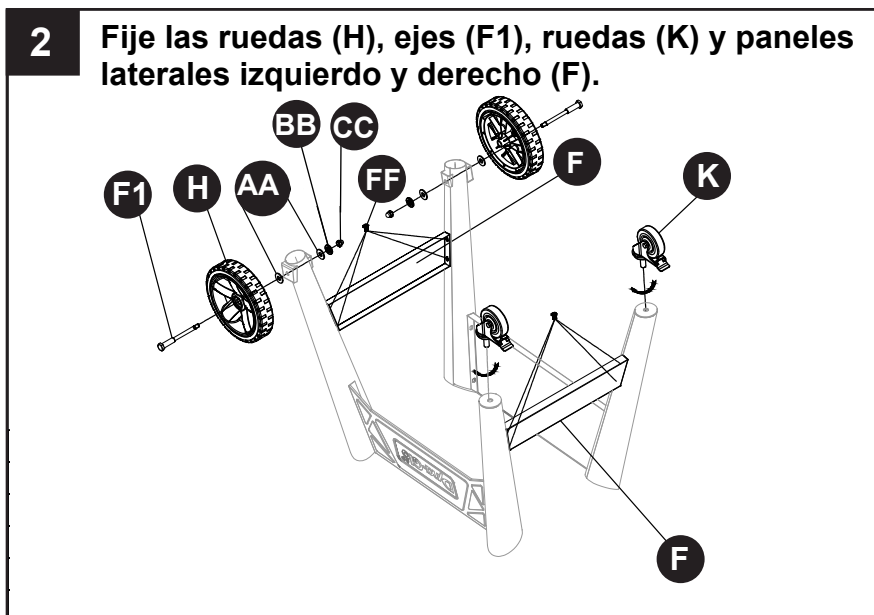
**Tiempo estimado de montaje: 45 minutos**

# INSTRUCCIONES DE ENSAMBLAJE



## Hardware Utilizado

**FF** Perno de 1/4" x 3/5" + arandela de resorte  x 8



## Hardware Utilizado

**FF** Perno de 1/4" x 3/5" + arandela de resorte  x 8

**AA** Arandela de 1/3"  x 4

**BB** Arandela de resorte de 1/3"  x 2

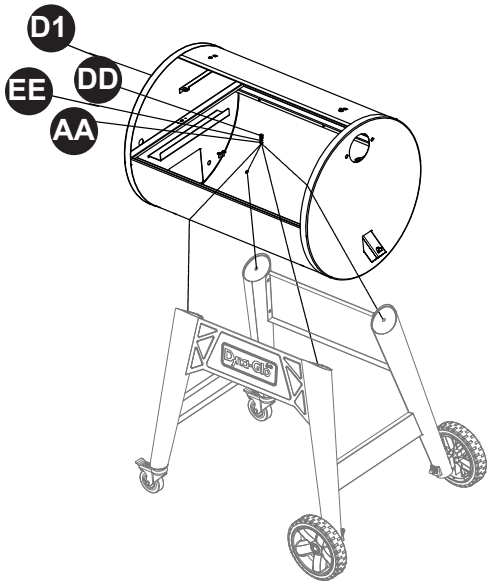
**CC** Tuerca ciega de 5/16"  x 2

**GG** Llave abierta 1 




**HH** Llave abierta 2 

# INSTRUCCIONES DE ENSAMBLAJE

## 3 Fije el cuerpo principal de la parrilla.

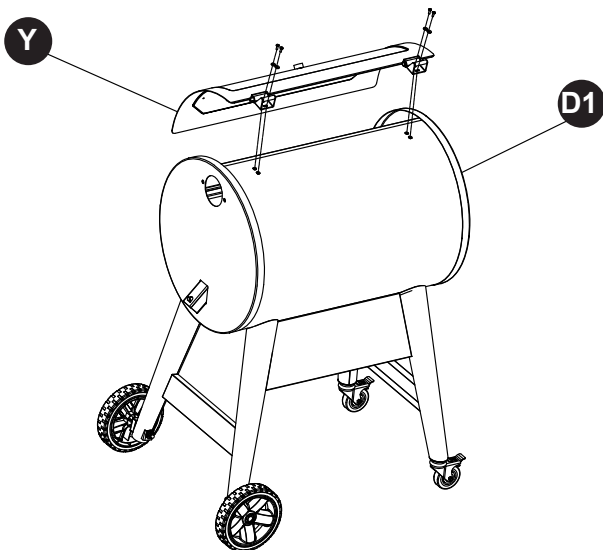


## Hardware Utilizado

- |           |                             |   |     |
|-----------|-----------------------------|---|-----|
| <b>AA</b> | Arandela de 1/3"            |  | x 4 |
| <b>DD</b> | Perno de 1/4" x 3/5"        |  | x 4 |
| <b>EE</b> | Arandela de resorte de 1/4" |  | x 4 |





## 4 Fije la tapa.

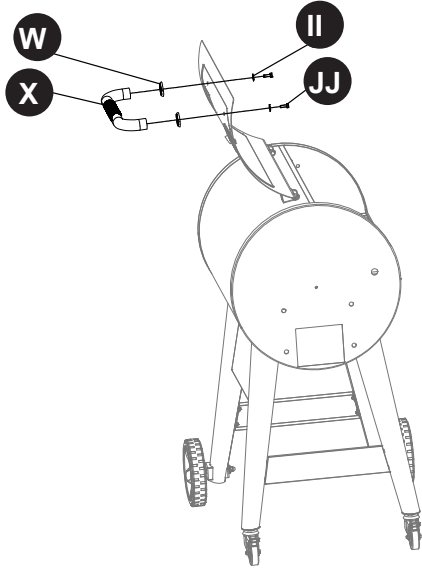


# INSTRUCCIONES DE ENSAMBLAJE

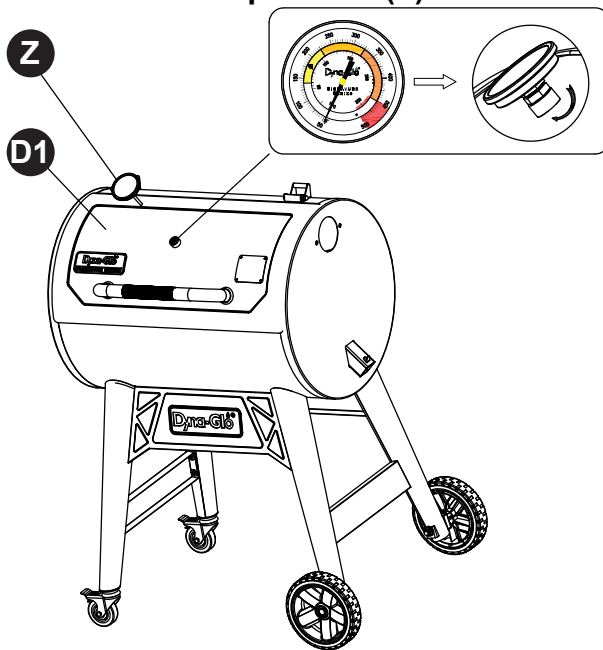
## Hardware Utilizado

- |           |                                |   |     |
|-----------|--------------------------------|---|-----|
| <b>II</b> | Arandela de 1/4"               |  | x 2 |
| <b>JJ</b> | Perno hexagonal de 1/4" x 3/5" |  | x 2 |

**5** Fije el mango de la tapa (X) y los biseles (W).

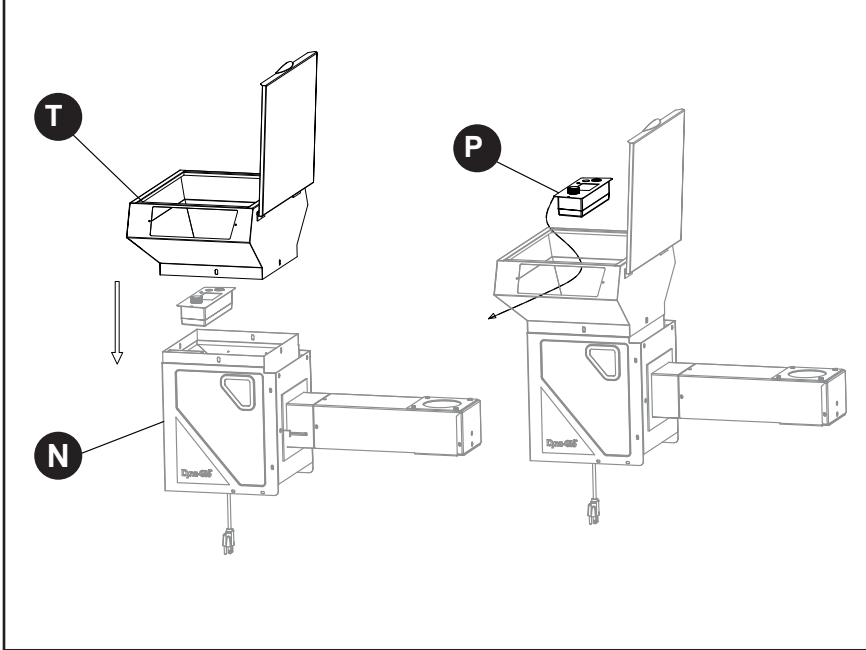


**6** Fije el medidor de temperatura (Z).

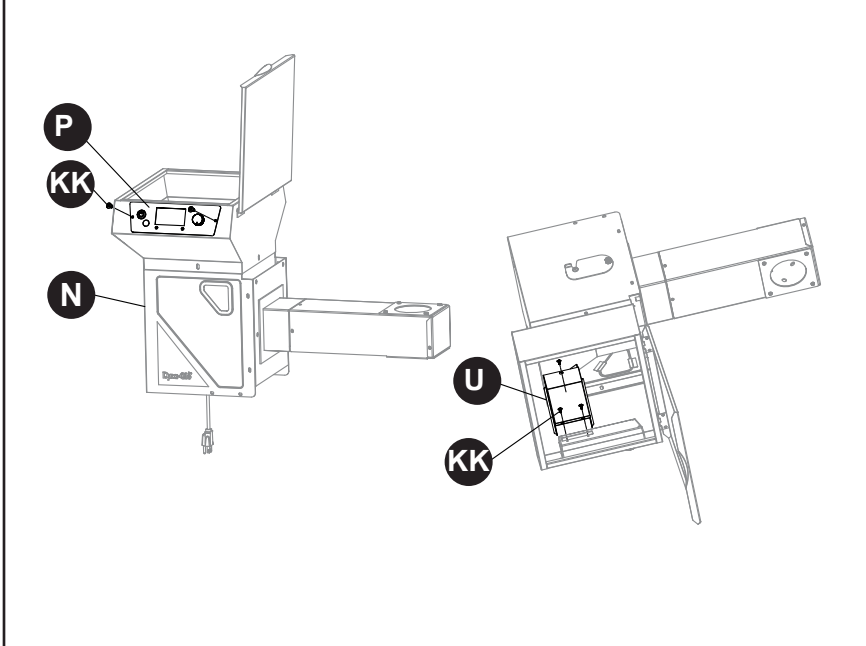


## INSTRUCCIONES DE ENSAMBLAJE


- 7** Fije el embudo superior (T) y el panel de control (P) a través de la abertura.



- 8** Asegure el panel de control (P) y el protector de cables (U).






### Hardware Utilizado

**KK** Perno ST3.9 x 8 mm  x 5

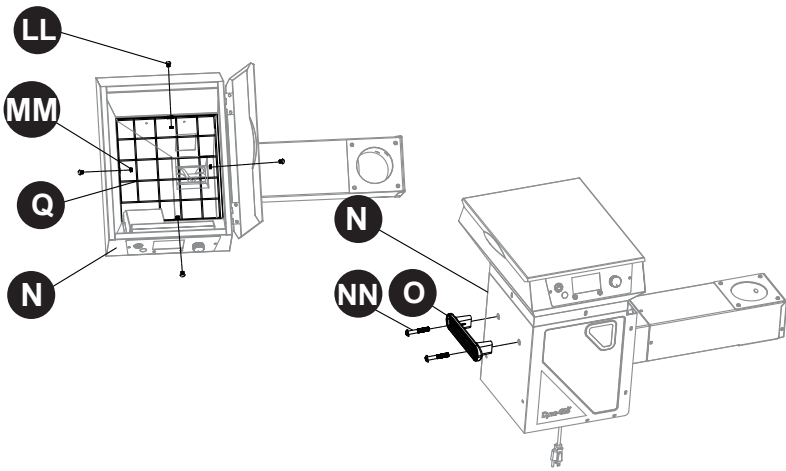


# INSTRUCCIONES DE ENSAMBLAJE

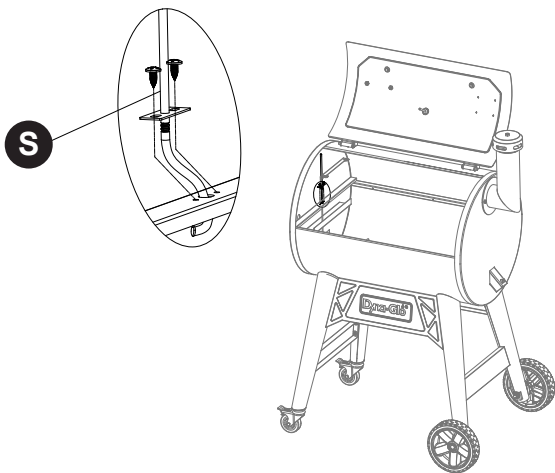
## Hardware Utilizado

<b>LL</b>	Perno #8 x 3/8"		x 4
<b>MM</b>	Tuerca #8		x4
<b>NN</b>	Perno de 1/4" x 2 3/8"		x 2

**9** Fije la rejilla de seguridad (Q) y el mango lateral.

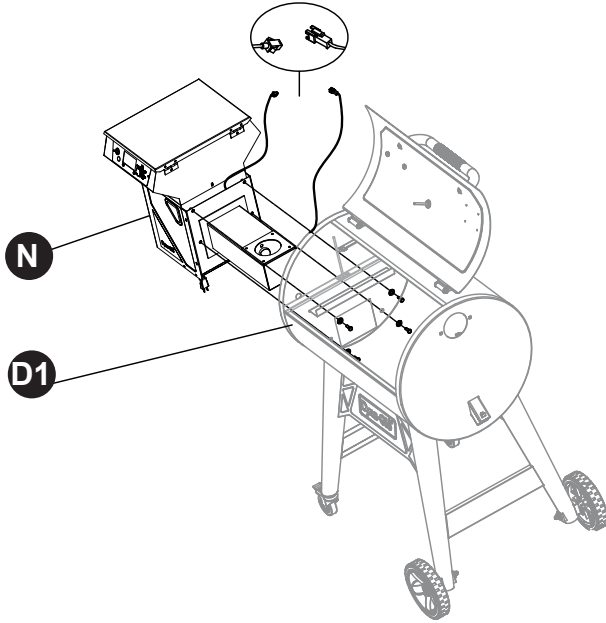


**10** Fije la sonda interna (S) con los tornillos preinstalados.

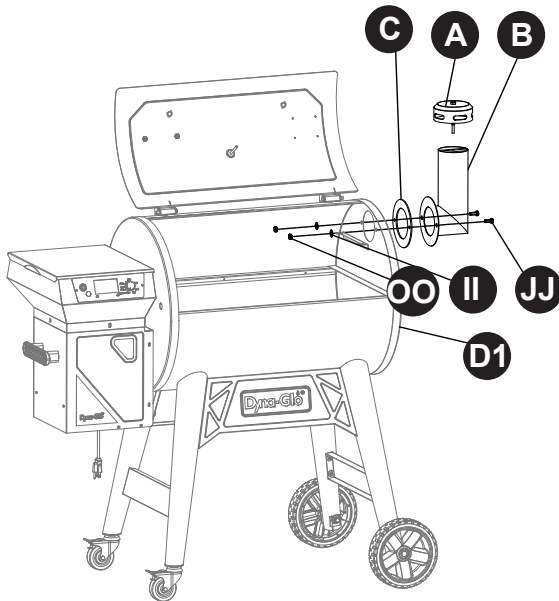


# INSTRUCCIONES DE ENSAMBLAJE




- 11** Fije el embudo al cuerpo principal de la parrilla y conecte el arnés al medidor de temperatura (S).



- 12** Fije la chimenea (B), el tapón (A) y el aislamiento de la chimenea (C).

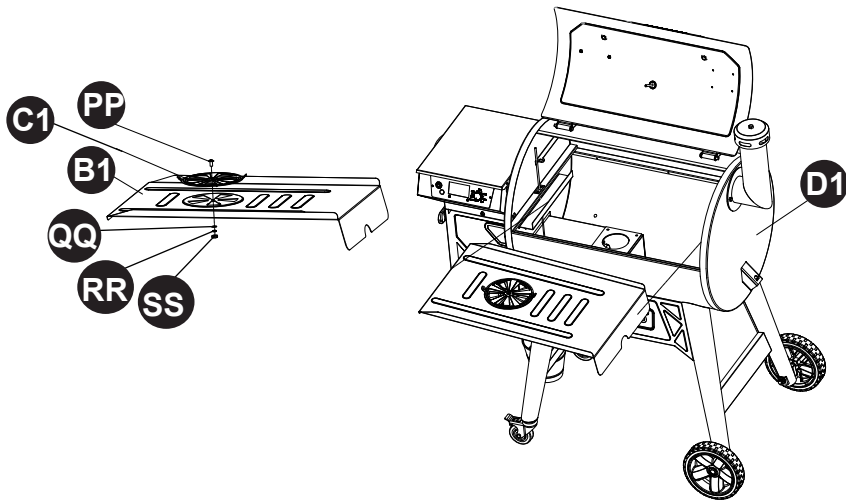


## Hardware Utilizado





II	Junta de 1/4"		x2
JJ	Perno hexagonal de 1/4" x 3/5"		x2
OO	Tuerca de 1/4"		x2

# INSTRUCCIONES DE ENSAMBLAJE

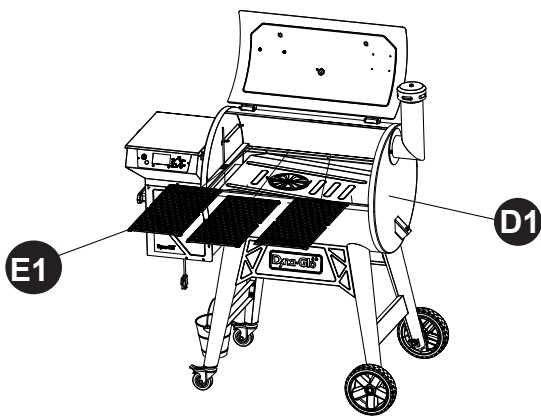
## 13 Fije el volante (C1) e inserte la bandeja para grasa (B1)



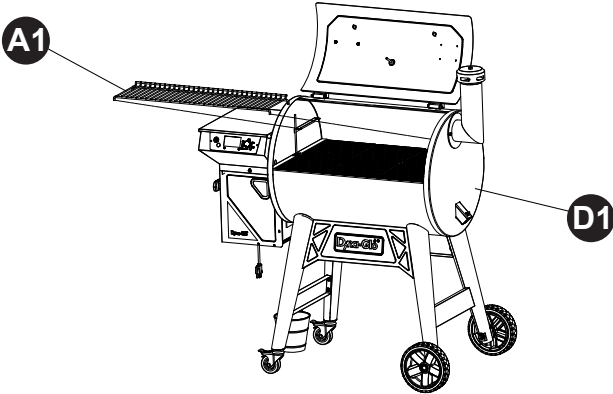
### Hardware Utilizado

<b>PP</b>	Perno de 1/4" x 5/8"		x 1
<b>QQ</b>	Junta de 1/4"		x 1
<b>RR</b>	Arandela de resorte de 1/4"		x 1
<b>SS</b>	Tuerca de 1/4"		x 1

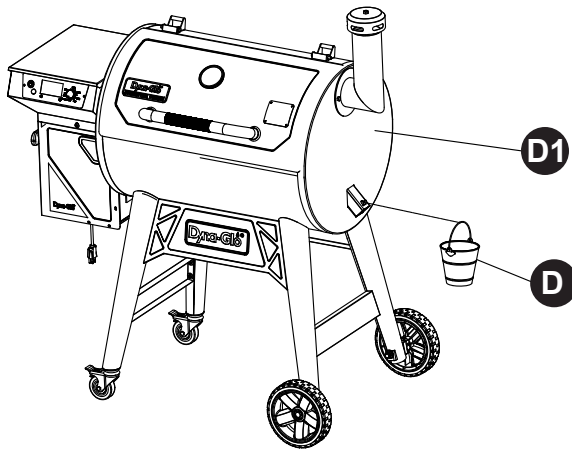
## 14 Inserte las rejillas de cocción (E1).



**15** Inserte las rejillas de calentamiento (A1).



**16** Instale el contenedor para la grasa (D).



## INSTRUCCIONES DE OPERACION

---

### LEA TODAS LAS INSTRUCCIONES ANTES DE UTILIZAR EL APARATO POR PRIMERA VEZ

#### Antes del uso inicial:

Retire todo el embalaje, las etiquetas colgantes, las correas de plástico y los adhesivos de venta, si los hubiera. No utilice herramientas afiladas.

Lave las rejillas de cocción con agua tibia y jabón, enjuáguelas y déjelas secar completamente antes de colocarlas de nuevo en el aparato.

Antes del uso inicial, es importante "sazonar" su electrodoméstico. El condimento ayuda a eliminar el residuo potencial de fábrica que se produce durante la producción y mejora el sabor, la durabilidad y en general. Consulte la página 90 para conocer el tiempo y la temperatura de cocción necesarios para sazonar.

#### Antes de cada uso:

### LEA TODAS LAS INSTRUCCIONES ANTES DE UTILIZAR ESTE APARATO

- Después de largos periodos sin uso, o al sacarlo del almacén, es fundamental realizar un minucioso control del sinfín desde el interior de la tolva y la olla de fuego. Busque cualquier signo de bloqueo por parte de objetos y verifique que el aire fluya correctamente hacia adentro y hacia afuera de la olla de fuego.
- Utilice la puerta de la tolva trasera para retirar los pellets y haga funcionar el aparato para eliminar los pellets de la barrena al colocar la unidad en almacenamiento o entre usos.
- Mantenga siempre la parrilla cubierta cuando no esté en uso y evite que entre agua en la tolva. Los pellets pueden expandirse mucho, si se introduce agua dentro de la tolva. La exposición prolongada a la humedad también provocará que los gránulos se expandan y puedan obstruir o atascar la barrena durante el uso. Ver cuidado y mantenimiento en la página 91 para obtener más información.
- El aparato debe estar en una superficie nivelada, estable y en un área libre de material de combustible, incluida la grama larga o seca.
- Evite mover el aparato sobre superficies irregulares o con baches, como resultado pueden producirse daños en el aparato.
- Para evitar que se disparen los disyuntores domésticos, mantenga los controles y conexiones del cable secas y no utilice otros productos eléctricos en el mismo circuito.
- Cubra ligeramente cada parrilla de cocción con aceite vegetal o aceite vegetal en aerosol, para evitar que los alimentos se peguen a las rejillas durante la cocción. Retire las rejillas antes de recubrir.
- **NO** cubra las rejillas de cocción con papel de aluminio.
- **NO** retire la pantalla de seguridad dentro de la tolva.
- **NO** modifique, taladre, expanda ni reposicione la olla de fuego ni ninguno de los componentes internos o externos de este aparato. El incumplimiento de esta advertencia podría resultar en lesiones o crear un peligro de incendio y anulará su garantía.

# ! ADVERTENCIA !

No seguir todas las instrucciones del fabricante podría resultar en lesiones personales graves y /o daños a la propiedad.

Mantenga las manos, los dedos, joyas o la ropa suelta lejos de la barrena.

Tenga cuidado al operar su electrodoméstico.

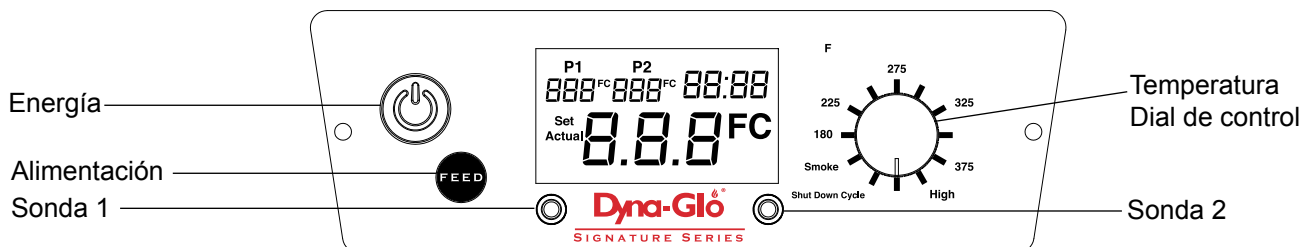
Para evitar posibles llamaradas o incendios de grasa, limpie la bandeja de grasa antes de usarla. Lea y siga toda la información y las medidas de seguridad de esta guía del producto antes de intentar para ensamblar u operar este aparato.

**NO** agregue manualmente pellets a la olla de fuego. Esto creará un riesgo de incendio y puede causar lesiones corporales y daños a su electrodoméstico.

### Reglas de seguridad

- Consulte la “Sección de resolución de problemas” en las páginas 92 y 93 para conocer los problemas operativos.
- **NO** mantenga la tapa cerrada por más de un minuto cuando el volante de la bandeja de grasa esté completamente abierto. Esto creará una condición insegura y puede causar daños corporales y daños a su aparato.
- **NO USE CARBÓN**. Este aparato no está diseñado para usarse con carbón o similar. Se producirá un incendio si se utiliza carbón vegetal durante la operación. El fuego creará una condición insegura y dañará el aparato. Utilice ÚNICAMENTE pellets de madera diseñados para su uso con este aparato.
- **NO** use líquido para encendedor, gas, gasolina, queroseno ni ningún líquido o gel inflamable para arrancar o acelerar un fuego.
- Para mantener un rendimiento óptimo, limpie el ahumador después de cada uso, es muy recomendado. Espere hasta que el aparato se haya enfriado por completo antes de limpiarlo. Consulte el cuidado y mantenimiento en la página 91.

### INSTRUCCIONES DE FUNCIONAMIENTO DEL PANEL DE CONTROL



- ⏻ – Encender y apagar el aparato
- **ALIMENTACIÓN** - Active la barrena para enviar pellets a la olla de fuego.
- **Inserto para sonda 1 (lado izquierdo) & Sonda 2 (lado derecho)**. La temperatura de cada sonda se muestra en la pantalla del panel de control cuando las sondas están en uso.
- **Dial de control de temperatura**

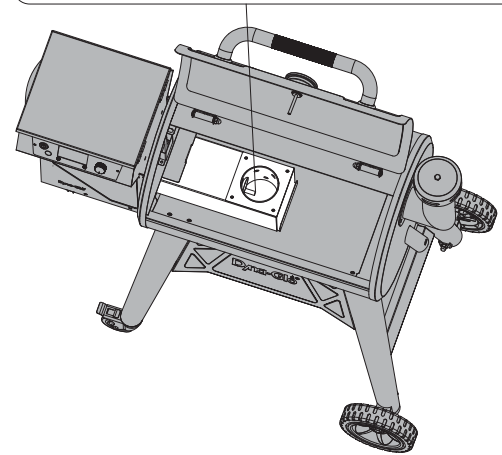
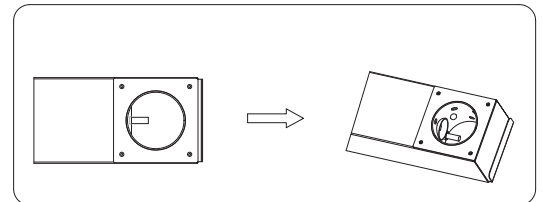
## INSTRUCCIONES DE OPERACION

### Preparar la parrilla antes de cocinar

#### Comprobar del sistema de cocción

Antes de cocinar en su parrilla de pellets, asegúrese de seguir estas instrucciones para el primer uso o cuando la tolva se ha quedado sin pellets. Ocurrirá un encendido fallido si no se siguen estas instrucciones. Retire todo el embalaje, las etiquetas colgantes, las correas de plástico y los adhesivos de venta, si los hubiera. No use herramienta afiladas.

1. Retire las rejillas de cocción y la bandeja para grasa del interior de la parrilla.
2. Abra la tapa de la tolva y verifique que no haya ningún objeto extraño que pueda bloquear el giro de la barrena. Si no encuentra objetos extraños, llene la tolva con pellets de leña para asar. Utilice únicamente pellets diseñados para su uso con parrillas de pellets o ahumadores. NO coloque gránulos en el crisol a mano.
3. Enchufe el cable de alimentación en una toma GCFI. Presione el botón de poder para encender la unidad y encender el de control de temperatura del DIAL a la posición de AHUMADO.
  - A. Ubique la olla de fuego dentro de la parrilla y verifique visualmente para ver si la barrena está girando.
  - B. Coloque con cuidado su mano sobre la olla de fuego para sentir flujo de aire. No coloque las manos ni los dedos dentro del olla de fuego ya que pueden producirse lesiones.
  - C. Dentro de dos minutos, el encendedor debe crear humo y un olor a quemado que indica que el encendedor está calentándose. No toque el encendedor para verificar, puede que este le cause lesiones.
4. After verifying that the auger is turning, the ignitor is on and air is flowing through the fire pot, turn the dial to "Shut Down Cycle". The control panel will display "OFF" and grill will automatically begin shutting down with the fan blowing, for approximately 10 minutes. You do not have to wait for the cycle to complete before turning the grill back on.
5. Once the grill has cooled, re-install the grease tray and cooking grates into the grill. If needed, wash the cooking grates with warm, soapy water, rinse and allow to completely dry before placing them back into the grill.



#### Pre-condimentar la parrilla

Una vez que se completa la verificación del sistema de cocción y su tolva ha entregado correctamente los pellets a la olla de fuego, es muy recomendable que la parrilla esté pre-sazonada antes de cocinar. El condimento ayuda a eliminar los posibles residuos de fábrica que se producen durante la producción y mejora el sabor, la durabilidad, y desempeño general.

Encienda la parrilla presionando el botón de encendido. Gire el dial de control a la posición Alto y deje que la parrilla se caliente durante al menos 45 minutos. Su parrilla ahora está lista para usar.

**ADVERTENCIA:** NO deje el volante abierto durante el proceso de pre-secado.

## INSTRUCCIONES DE OPERACION

### Ajustes de temperatura

Comprender cada uno de los ajustes de temperatura mejorará su experiencia de ahumado y asado en su parrilla. Los niveles de temperatura requeridos variarán según el tamaño y el tipo de alimento. Para garantizar el consumo seguro de alimentos, utilice las sondas para carne para determinar la temperatura adecuada de los alimentos. Consulte la guía en la página 90 para temperatura de cocción y carne.

**NOTA:** Las condiciones de clima frío o ventoso pueden afectar el precalentamiento y los tiempos de cocción en general. Deje tiempo suficiente para precalentar la parrilla antes de cocinar. Evite abrir la tapa con frecuencia, a menos que sea absolutamente necesario.

### Usando el botón de ALIMENTACION

Si se anticipa abrir la tapa, presione y mantenga presionado el botón "ALIMENTACION" durante 10-15 segundos y espere por lo menos un minuto antes de presionar nuevamente. Esto activará la barrena y entregará pellets a la olla de fuego elevando así la temperatura para compensar la pérdida de calor. La temperatura se nivelará, según el ajuste deseado. **PRECAUCIÓN:** Si presiona el botón "ALIMENTACION" durante más tiempo del recomendado, la frecuencia sobrecargará la olla de fuego y podría provocar un incendio.

### Uso del termómetro para carne

Su parrilla está equipada con dos sondas para carne y dos conectores de sonda en el panel de control. El conector izquierdo se leerá como P1 en la pantalla y el conector derecho es "P2".

Para obtener la lectura más precisa posible, presione la sonda hacia la parte más gruesa de la carne y dejela al menos 30 segundos para que la sonda mida la temperatura real de la carne. Si su carne tiene un hueso, evite tocar el extremo de la sonda al hueso mientras se cocina.

Consulte la tabla de la página 90 para conocer las temperaturas adecuadas de los alimentos. Para obtener más información sobre seguridad alimentaria llame a: Línea directa de carne y aves de corral del USDA al 1-888-MPHOTLINE (888-674-6854) en Washington, DC

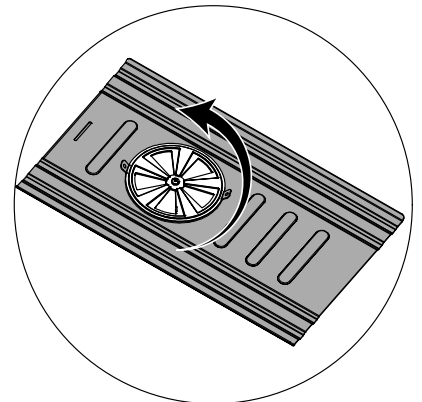
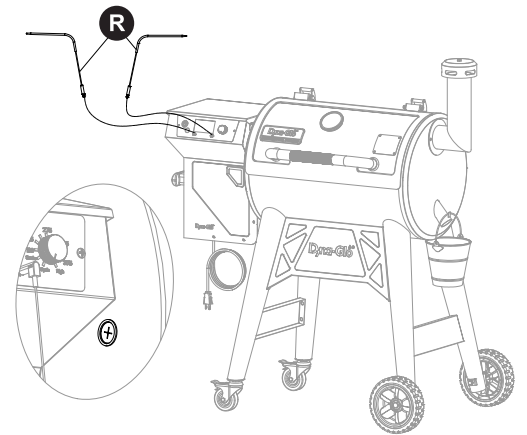
O correo electrónico: [mpholine.fsis@usda.gov](mailto:mpholine.fsis@usda.gov)

O visite el sitio web del USDA en [www.fsis.usda.gov](http://www.fsis.usda.gov)

### Sistema de Cocción Directa

Su parrilla de pellets está equipada con un volante amortiguador en la bandeja de grasa. Abrir la compuerta elevará rápidamente la superficie de temperatura de cocción para asar o asar trozos de carne más gruesos. Tome precaución al abrir la compuerta. Cuando está en uso, el aparato puede calentarse mucho. Use guantes resistentes al calor o tenazas de metal para quitar las rejillas de cocción y al abrir o cerrar el apagador. Tenga cuidado al cocinar con el volante abierto mientras la tapa está cerrada.

**⚠ ADVERTENCIA: NO** mantenga la tapa cerrada durante más de un minuto mientras el volante está abierto. Nunca deje la parrilla desatendida mientras usa el sistema de cocción directa.





# ! PRECAUCIÓN !

- No utilice herramientas afiladas o puntiagudas para limpiar el electrodoméstico.
- No utilice limpiadores de horno abrasivos, lana de acero o cepillos de metal para limpiar la porcelana, rejillas o cuerpo del aparato. Dañarán el acabado.
- Reemplace las piezas dañadas únicamente con piezas de repuesto certificadas por Dyna-Glo. No hacer Intente reparar las piezas dañadas.
- El aparato se calienta durante el uso. Use guantes resistentes al calor al acceder el interior del aparato.

### Apagando su electrodoméstico

1. Cuando termine de cocinar, puede optar por quemar cualquier residuo de grasa o comida. Simplemente gire el dial de control de temperatura a 450F y haga funcionar la unidad durante al menos 10 minutos durante uso normal o 20 minutos para alimentos que resultaron en grandes cantidades de grasa. Quemando el residuo después de la cocción minimizará el riesgo de un incendio por grasa la próxima vez que se use la parrilla. Asegúrate de configurar un temporizador para la combustión deseada, para que pueda reanudar el resto del proceso de apagado. **ADVERTENCIA:** NO deje el volante abierto cuando este quemando.
2. Gire el dial a "Ciclo de apagado", pero NO presione el botón de encendido. El panel de control muestra APAGADO pero el ventilador continuará inyectando aire en la olla de fuego para apagar los pellets. Permita que la unidad la funcione, hasta que se complete el ciclo de apagado. Desenchufe la unidad, una vez que el ciclo de apagado esta completo.

**¡ADVERTENCIA!** NO PRESIONE EL BOTÓN DE ENCENDIDO NI DESCONECTE EL APARATO MIENTRAS EL VENTILADOR AÚN ESTÁ FUNCIONANDO EN EL CICLO DE APAGADO. LA PARRILLA AUTOMÁTICAMENTE SE APAGUE CUANDO EL CICLO ESTÉ COMPLETO. INTERRUMPIR DEL CICLO DE APAGADO PODRÍA RESULTAR EN UN INCENDIO EN LA CÁMARA DE LA TOLVA..

Espere hasta que la unidad se haya enfriado por completo antes de colocar una cubierta o trasladar la unidad a un lugar de almacenamiento.

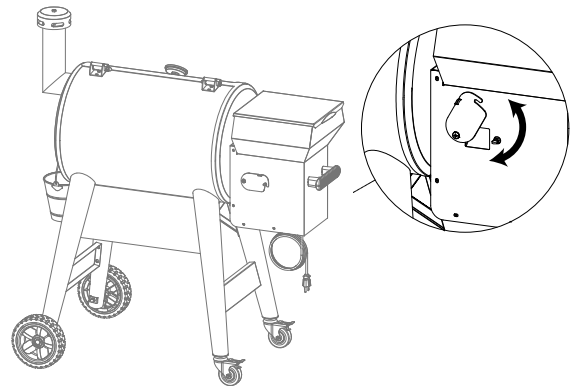
### Limpiar la tolva

Retirar los pellets de la tolva puede ser necesario, en caso de inclemencias del tiempo o alta humedad se espera. para vaciar la tolva, simplemente ubique la escotilla trasera en la parte posterior de la tolva.

Antes de abrir la trampilla, sostenga un recipiente cerca la abertura para evitar que los pellets caigan al suelo. Abra lentamente la trampilla y deje que pellets salgan de la tolva. Asegúrese de que la trampilla está completamente cerrada, después de limpiar la tolva.

### Eliminación de cenizas

La ceniza se acumulará en la olla de fuego durante y después de cada uso. Siempre inspeccione la olla de fuego antes usar. Espere siempre hasta que las cenizas se enfríen por completo antes de retirarlas. Las cenizas deben colocarse en un recipiente de metal con tapa hermética. El recipiente cerrado de cenizas debe colocarse sobre un piso incombustible o en el suelo, bien alejado de todos los materiales combustibles, pendiente final disposición. Si las cenizas se eliminan mediante enterramiento en el suelo o se dispersan localmente de otro modo, deben retenido en el recipiente cerrado hasta que todas las cenizas se hayan enfriado completamente.



## INSTRUCCIONES DE OPERACION

---

### Creosota de madera

La creosota de madera es una sustancia similar al hollín o alquitrán que produce humo negro cuando se quema. La creosota se forma cuando los pellets queman liberan vapores orgánicos que se combinan con la humedad ambiental. Como la mezcla de vapor se enfría, se acumulará dentro de la cámara de cocción y especialmente en el escape de grasa y de la chimenea. Cuando se enciende la creosota, crea un fuego extremadamente caliente. La grasa acumulada también puede combinarse con la acumulación de creosota y contribuir a un incendio. La creosota también se puede formar cuando la olla de fuego está mal mantenida, o si la olla de fuego está demasiado llena de pellets o cuando el aire fluye hacia la olla de fuego y está parcial o totalmente bloqueado. Se vuelve peligroso operar el aparato cuando el humo o las llamas se oscurecen, se llenan de hollín o cuando la olla de fuego está demasiado llena de pellets. Si ocurre un incendio, apague la unidad, mantenga la tapa cerrada hasta que se extingan las llamas. Deje que la unidad se enfríe antes de moverla. Inspeccione y limpie minuciosamente la unidad dentro de la cámara de cocción, la tapa y el humo. Limpie también todos los componentes internos de cocción. La chimenea y el escape de grasa deben ser inspeccionados al menos dos veces al año para determinar cuándo se ha producido la acumulación de grasa y / o creosota. Consulte la sección cuidado y mantenimiento para obtener información adicional.

### Monóxido de carbono

El monóxido de carbono es un gas incoloro, inodoro e insípido que se produce al quemar gasolina, madera, propano, carbón vegetal u otro combustible. Aparatos con ventilación inadecuados, especialmente en un espacio cerrado, puede permitir que el monóxido de carbono se acumule a niveles peligrosos. Los signos y síntomas de la intoxicación por monóxido de carbono pueden incluir: dolor de cabeza sordo, debilidad, mareos, náuseas o vómitos, dificultad para respirar, confusión, visión borrosa o pérdida del conocimiento. Busque de inmediato atención médica si se presenta alguna de estas condiciones mientras usa o está parado cerca de este aparato.

La intoxicación por monóxido de carbono puede empeorar con el consumo de drogas o alcohol.

El monóxido de carbono es especialmente tóxico para la madre y el niño durante el embarazo, los bebés, los ancianos, fumadores y personas con problemas sanguíneos o del sistema circulatorio, como anemia o enfermedades cardíacas.

**Códigos de error: consulte la sección solución de problemas (Página 93) para obtener información adicional.**

### **LEr (alarma de baja temperatura)**

La temperatura de la parrilla cayó por debajo de 120 ° durante más de 20 minutos.

### **HEr (alarma de alta temperatura)**

La temperatura de la parrilla alcanza más de 550 °..

#### **ÉI 1**

La sonda de temperatura no está conectada correctamente a la placa del controlador.

#### **ÉI 2**

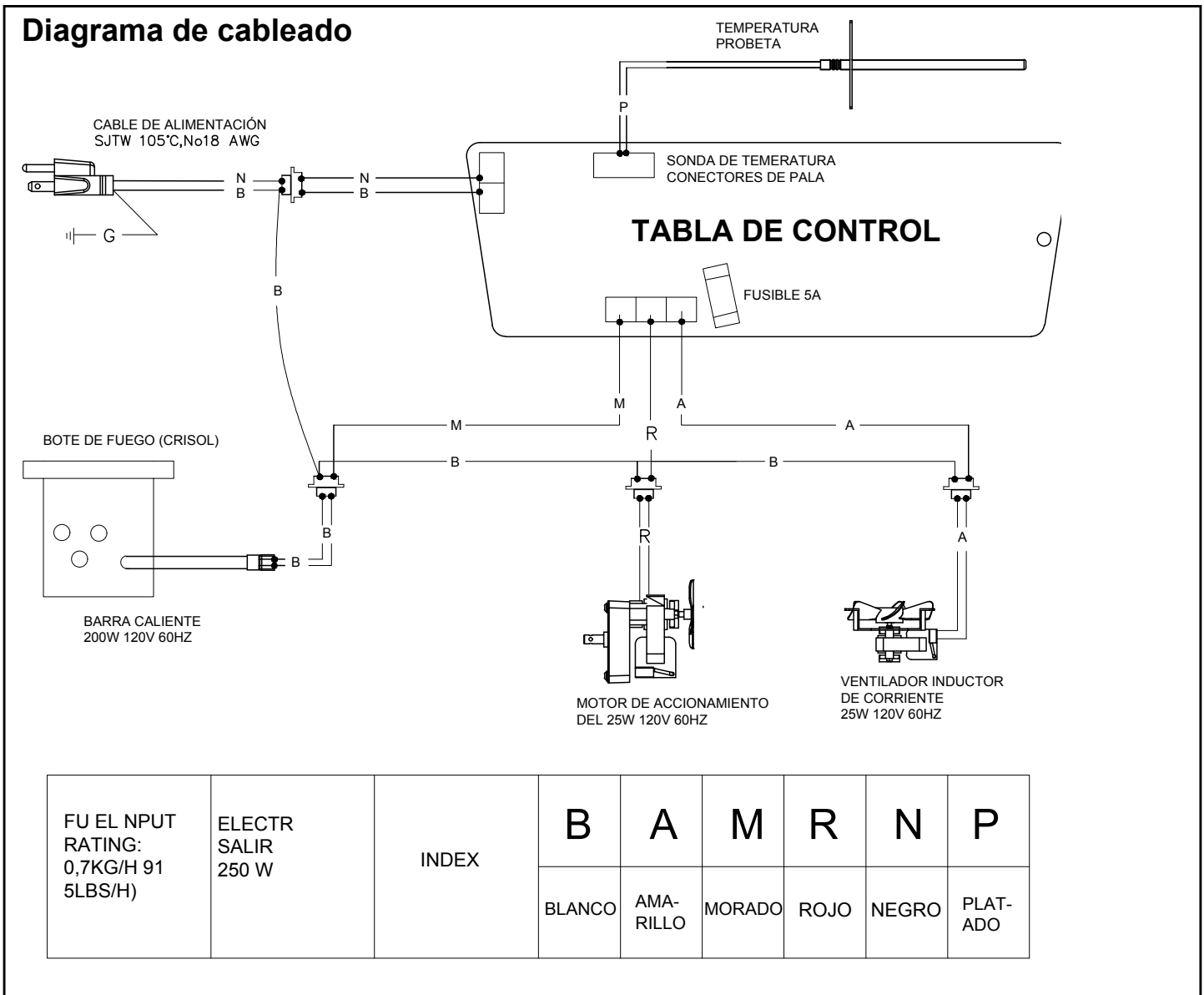
Alarma de seguridad de marcación de temperatura.

## **⚠ ADVERTENCIA ⚠**

**NO PRESIONE EL BOTÓN DE ENCENDIDO NI DESCONECTE EL APARATO MIENTRAS EL VENTILADOR AÚN ESTÉ FUNCIONANDO EN EL CICLO DE APAGADO. LA PARRILLA SE APAGARÁ AUTOMÁTICAMENTE CUANDO EL CICLO ESTÉ COMPLETO. LA INTERRUPCIÓN DEL CICLO DE APAGADO PODRÍA RESULTAR EN UN INCENDIO EN LA CÁMARA DE LA TOLVA.**

## INSTRUCCIONES DE OPERACION

- Para mantener un rendimiento óptimo, es muy importante limpiar el aparato después de cada uso. Se recomienda realizar siempre el mantenimiento cuando el aparato esté completamente frío y desenchufado de una toma de corriente.
- Se pueden usar cepillos de cerdas o de plástico para limpiar las manchas rebeldes.
- **NO** use lana de acero ni cepillos de alambre. Las piezas pueden romperse y tocar partes eléctricas creando un riesgo de shock eléctrico.
- Limpiar las rejillas de cocción con agua tibia y jabón o con agua, solución de bicarbonato de sodio. No se puede utilizar un limpiador en polvo abrasivo para las manchas rebeldes.
- Limpiar la bandeja, recoger grasas con un paño húmedo y agua tibia con jabón. Deje que la bandeja de grasa se enfríe completamente antes de limpiar.



## ONSEJOS PARA EL AHUMADO

El maridaje de pellets de madera con un tipo específico de alimento dependerá de las preferencias del usuario. Esta página se puede utilizar como una pauta general para adquirir el sabor ideal.

- Los gránulos de madera hechos de nogal, nuez, manzana, cereza o mezquite generalmente se queman más lento y producen más humo durante períodos de tiempo más prolongados.
- No remoje previamente los gránulos antes de usarlos.

Aquí hay una lista de las maderas para ahumar más populares y un poco de información sobre cada una.

Tipo de Madera Pellet	Alimentos sugeridos	Comentarios
Manzana	Todas las carnes	Sabor suave y dulce con un ligero toque de sabor afrutado. Cada especie de madera de manzano deben ofrecen un sabor ligeramente diferente. El humo de manzana produce un atractivo efecto de dorado
Cereza	Cerdo y Ternera	Sabor ligero y afrutado.
Nuez dura	Cerdo y Ternera	La nuez dura es sin duda la madera favorita para ahumar. La nuez dura produce un sabor muy fuerte así que recomendamos empezar despacio con esta madera.
Arce	Cerdo y Aves	Ligero y dulce
Mezquite	Carne de Res, Pollo y Pescado	Esta madera arde muy caliente, sea consciente. Al igual que nogal, mezquite produce un fuerte sabor.
Mezcla de competición	Carnes rojas, Caza. Costillas y Pescado	Mezcla de maderas frutales y maderas duras para dulce, picante; Sabor sabroso. Utilice estos pellets premezclados en caso de duda.
Nuez	Costillas y Carnes Rojas	Produce un humo ligero que ofrece un sabor dulce y a nuez

## TEMPERATURAS SUGERIDAS PARA EL AHUMADO Y LA CARNE

	Temperaturas sugeridas para ahumar	Temperaturas mínimas seguras para los alimentos
<b>Carne de caza</b>		
<b>Chuletas, filetes y asado (ciervo, alce, alce americano, caribú/reno, antilope y antilocapra)</b>		
Bien cocida	225 °F (107,2 °C)	170 °F (77 °C)
<b>Caza mayor</b>		
Oso, bisonte, buey almizclero morsa, etc.	250 °F - 300 °F (121 °C - 149 °C)	165 °F (74 °C)
<b>Caza menor</b>		
Conejo, rata almizclera, castor, etc.	225 °F - 240 °F (107,2 °C - 115,6 °C)	165 °F (74 °C)
<b>Carne picada</b>		
Carne picada y mezcla de carnes	250 °F - 300 °F (121 °C - 149 °C)	165 °F (74 °C)
Carne de venado picada y salchicha	250 °F - 300 °F (121 °C - 149 °C)	165 °F (74 °C)
<b>Aves de caza/aves acuáticas (pavo salvaje, pato, ganso, perdiz y faisán)</b>		
Entero	250 °F (121 °C)	165 °F (74 °C)
Pechugas y asado	250 °F (121 °C)	165 °F (74 °C)
Muslos, alas	250 °F (121 °C)	165 °F (74 °C)
Relleno (cocinado solo o en el ave)	250 °F (121 °C)	165 °F (74 °C)

### Consejos Adicionales

Condimente los alimentos con las especias, hierbas y condimentos o salsas, antes de seguir estos pasos básicos. Los tiempos de cocción variarán según la temperatura ambiente y la temperatura deseada de la carne.

### Costillas Ahumadas:

Cuando ahúme costillas, siga la regla 3-2-1: 3 horas usando el ajuste de ahumado (costillas sin envolver) 2 horas a 225F (costillas envueltas en papel de aluminio)

Más de 1 hora para configurar con su salsa favorita (la salsa es opcional, pero se debe quitar el papel de aluminio)

### Paleta de cerdo/butt ahumado:

Deje por lo menos 1.5 horas de tiempo de cocción por libra a 225F.

Ponga el dial de temperatura en el ahumado durante al menos 5 minutos, luego ajuste la temperatura a 225F y deje que la unidad se precaliente durante al menos 15 minutos.

Coloque la carne dentro de la unidad y cocine por 3 horas. Rocíe la carne con agua o jugo de manzana cada hora para mantener la carne húmeda.

Coloque la carne en una bandeja de aluminio para hornear durante el tiempo restante de cocción. Utilice una sonda para carne para determinar cuándo la carne ha alcanzado la temperatura deseada. Consulte el ahumado sugerido y temperaturas de la carne en esta página y consulte la sección Sonda para carne en la página 83 para sonda y ubicar el ajuste de temperatura en la pantalla del panel de control.

	Temperaturas sugeridas para ahumar	Temperaturas mínimas seguras para los alimentos
<b>Carne, aves de corral, pescado</b>		
<b>Carne de vaca, ternera y cordero (piezas y cortes enteros)</b>		
Jugosa	225 °F (107,2 °C)	145 °F (63 °C)
A punto	225 °F (107,2 °C)	160 °F (71 °C)
Bien cocida	225 °F (107,2 °C)	170 °F (77 °C)
<b>Cerdo (jamón, lomo, costillas)</b>		
Cerdo (piezas y cortes enteros)	225 °F - 240 °F (107,2 °C - 115,6 °C)	160 °F (71 °C)
<b>Carne picada y mezcla de carnes (hamburguesas, salchichas, albóndigas, pastel de carne, guisos y carne de vaca tiernizada mecánicamente)</b>		
Carne de vaca, ternera (incluida la carne tiernizada mecánicamente), cordero y cerdo	250 °F - 275 °F (121 °C - 135 °C)	160 °F (71 °C)
Aves de corral (pollo y pavo)	250 °F - 275 °F (121 °C - 135 °C)	165 °F (74 °C)
<b>Aves de corral (pollo, pavo, pato)</b>		
Piezas	250 °F (121 °C)	165 °F (74 °C)
Entero	250 °F (121 °C)	165 °F (74 °C)
<b>Pescado y mariscos</b>		
Pescado	225 °F - 240 °F (107,2 °C - 115,6 °C)	158 °F (70 °C)
Mariscos (camarón, langosta, cangrejo, vieiras, almejas, mejillones y ostras)	225 °F - 240 °F (107,2 °C - 115,6 °C)	165 °F (74 °C)
<b>Dado que es difícil utilizar un termómetro de alimentos para verificar la temperatura de los mariscos, deseche los mariscos que no se abren durante la cocción.</b>		

## CUIDADO Y MANTENIMIENTO

### SEGURIDAD Y MANTENIMIENTO DESPUÉS DEL USO

## ! ADVERTENCIA !

- Tenga cuidado al levantar y mover el aparato para evitar lesiones por esfuerzo. Se recomiendan dos personas para levantar o mover el aparato.
- **NO** guarde el aparato cerca de gasolina u otros líquidos combustibles o donde pueden estar presentes vapores combustibles. Mantenga el área alrededor del aparato despejada y libre de materiales y vapores combustibles.
- **NO** guarde este aparato en un área accesible para niños o mascotas. Almacene el aparato en un lugar seco y protegido.
- **NO** permita que nadie realice actividades alrededor del electrodoméstico después de su uso hasta que haya enfriado. Está caliente durante el funcionamiento y permanece caliente durante un período de tiempo después del uso.
- **NO** deje las cenizas calientes desatendidas hasta que el aparato se enfríe por completo.
- El aparato se calienta mucho. Deje que el aparato se enfríe completamente antes del manejo. Deje que el aparato se enfríe antes de retirar y limpiar la bandeja de grasa.
- Deseche las cenizas frías colocándolas en un recipiente de metal sellable. Almacene el recipiente sellado en una superficie no combustible lejos de todos los materiales combustibles. Siempre use guantes protectores para horno o guantes resistentes al calor al acceder al interior del aparato durante y después del uso.

## ! PRECAUCIÓN !

Todos los procedimientos de cuidado y mantenimiento deben realizarse mientras el aparato está apagado, desenchufado y completamente enfriado.

Para limpiar el interior y el exterior de la cámara de cocción, simplemente use un paño húmedo.

No se recomienda el lavado por aspersion con una manguera de agua. La humedad debe limpiarse y no se le permite pararse dentro o encima del aparato.

Si hay óxido en la superficie exterior del aparato, limpie el área con lana de acero o tela de esmeril y use pintura resistente al calor.

**NUNCA** aplique pintura adicional al interior del aparato.

PROGRAMA DE CUIDADO Y MANTENIMIENTO RECOMENDADO REALIZAR CUANDO EL APARATO ESTÉ COMPLETAMENTE FRÍO)

PARTE / ÁREA	FRECUENCIA	MÉTODO
Olla de fuego	Después de cada sesión de parrilla o ahumado	Con una aspiradora manual saque la ceniza restante
Rejillas de cocción	Después de cada sesión de parrilla o ahumado	Quemar después de la sesión / Fregar con Cepillo de latón
Bandeja de grasa y rueda amortiguadora	Después de cada sesión de parrilla o ahumado	Almohadilla de fregado con agua tibia y con jabón
Conducto de grasa	Después de cada sesión de parrilla o ahumado	Almohadilla de fregado con agua tibia y con jabón
Barrena	Cuando el aserrín de pellets restante se vierte en la tolva	Limpiar la tolva de pellets, encienda la unidad y deje que la barrena se limpie del aserrín hasta que esté vacío.
Sonda de temperatura	Cada 4-5 sesiones de parrilla o ahumado	Almohadilla de fregado y agua tibia con jabón
Tapa de la chimenea	Cada 4-5 sesiones de parrilla o ahumado	Friegue el interior de la chimenea y la tapa con agua tibia y jabón.

## SOLUCIÓN DE PROBLEMAS

Si tiene alguna pregunta sobre el producto, llame al servicio de atención al cliente al 1-877-447-4768, De lunes a viernes, de 8:00 a.m. a 4:30 p.m., CST.

PROBLEMA	CAUSA POSIBLE	ACCIÓN CORRECTIVA
La unidad no enciende / sin energía.	<ul style="list-style-type: none"> <li>No conectado a la fuente de alimentación. El Outlet GFCI se tropezó.</li> <li>Fusible quemado en la tabla de control.</li> </ul>	<ul style="list-style-type: none"> <li>Asegúrese de que la unidad esté conectada a una fuente de alimentación. Restablezca el disyuntor de salida. Asegúrese de que GFCI sea capaz de manejar 10 cargas de amperios. (Consulte el diagrama de cableado para acceso a componentes eléctricos). Asegúrese que todas las conexiones de cables estén firmemente conectadas y libres de humedad.</li> <li>Su aparato está equipado con un fusible de repuesto. Comuníquese con el servicio de atención al cliente para saber las instrucciones paso a paso para el reemplazo.</li> </ul>
No hay calor de parrilla	<ul style="list-style-type: none"> <li>El aparato está apagado.</li> <li>No hay energía.</li> <li>Controlador o calefacción de elemento defectuoso.</li> <li>La tolva del pellet está vacía.</li> </ul>	<ul style="list-style-type: none"> <li>Compruebe si hay un GFI defectuoso disparado (conexión a tierra). Interruptor de fallas) en la salida. Restablecer el GFI o reemplácelo, si es necesario.</li> <li>Si el disyuntor o el GFI continúan disparándose, utilice una salida diferente en un interruptor de circuito separado.</li> <li>Pruebe con otro aparato que funcione en la salida.</li> <li>Reemplace el controlador o el elemento calefactor.</li> <li>Llene la tolva con pellets de madera.</li> </ul>
Disparos del disyuntor o fusibles quemados	<ul style="list-style-type: none"> <li>Otro electrodoméstico está enchufado en el mismo circuito que la parrilla (demasiados electrodomésticos utilizando el mismo circuito).</li> <li>Humedad o agua en el controlador, conexión de cable o conexión de salida.</li> <li>Cable dañado o deshilachado.</li> <li>Conexión eléctrica dañada.</li> </ul>	<ul style="list-style-type: none"> <li>Busque otra salida en un circuito separado.</li> <li>Mantenga todas las conexiones secas y libres de humedad. NO use este aparato en la lluvia o cuando cae la nieve.</li> <li>Apague la unidad, desenchúfela y verifique si el cable tiene daños. Reemplácelo, si es necesario.</li> <li>Reemplace el controlador.</li> </ul>
El aparato no genera suficiente calor.	<ul style="list-style-type: none"> <li>El electrodoméstico no fue precalentado suficientemente o la temperatura se estableció demasiado bajo.</li> <li>Tapa dejada abierta.</li> <li>Cable de extensión inadecuado.</li> <li>Tolva de pellet vacía.</li> <li>La barrena está atascada.</li> </ul>	<ul style="list-style-type: none"> <li>Precalente durante 15-20 minutos. Incremente ajustes de temperatura a través del controlador.</li> <li>Cierre la tapa.</li> <li>Utilice un cable clasificado para uso en exteriores a 15 amperios.</li> <li>Agregue gránulos.</li> <li>Retire los componentes internos de cocción, encienda la unidad, ajuste el dial de temperatura en AHUMADO e inspeccionar visualmente la barrena dentro de la olla de fuego y dentro del pellet tolva. Si la barrena no gira, contacte a servicio al cliente para soporte adicional.</li> </ul>

## SOLUCIÓN DE PROBLEMAS

PROBLEMA	CAUSA POSIBLE	ACCIÓN CORRECTIVA
Sale muy poco o nada de humo del electrodoméstico.	<ul style="list-style-type: none"> <li>No hay suficientes pellets.</li> </ul>	<ul style="list-style-type: none"> <li>Añadir pellets de madera a la tolva de pellets.</li> </ul>
La temperatura parpadea en la pantalla del panel de control	<ul style="list-style-type: none"> <li>La temperatura del aparato ha caído por debajo de 120F.</li> </ul>	<ul style="list-style-type: none"> <li>El fuego de la olla de fuego corre el riesgo de apagarse. Si la temperatura no supera los 120 ° F, revise la tolva para ver si hay obstrucciones. Revise la olla de fuego para ver si hay acumulación de cenizas y siga las instrucciones de cuidado y mantenimiento para quitar la ceniza con seguridad. Compruebe el medidor / sonda de temperatura interna y siga las instrucciones de cuidado y mantenimiento para la limpieza. Asegúrese de que el aire fluya a través de la olla de fuego y siga el sistema de cocción Verifique si el flujo de aire es débil. Confirme que la barrena esté girando y que no haya ningún bloqueo en el tubo de la barrena. Evite abrir la tapa con frecuencia.</li> </ul>
Brotos	<ul style="list-style-type: none"> <li>La carne contiene cantidades excesivas de grasa.</li> <li>La temperatura de cocción es demasiado alta.</li> <li>Acumulación de grasa.</li> </ul>	<ul style="list-style-type: none"> <li>Recorte la cantidad adecuada de grasa antes de cocinar.</li> <li>Baje la temperatura según sea necesario.</li> <li>Limpiar la bandeja de grasa, de acuerdo con las instrucciones.</li> </ul>
Fuego de grasa persistente	<ul style="list-style-type: none"> <li>Demasiada acumulación en la bandeja de goteo de grasa.</li> </ul>	<ul style="list-style-type: none"> <li>Gire el dial a "Apagar ciclo" y mantenga la tapa cerrada para permitir que el fuego se quemé. <b>NO use agua para extinguir el fuego. Puede ocasionar lesiones personales.</b> Deje que el aparato se enfríe completamente antes de limpiar la bandeja de grasa.</li> </ul>



## SOLUCIÓN DE PROBLEMAS

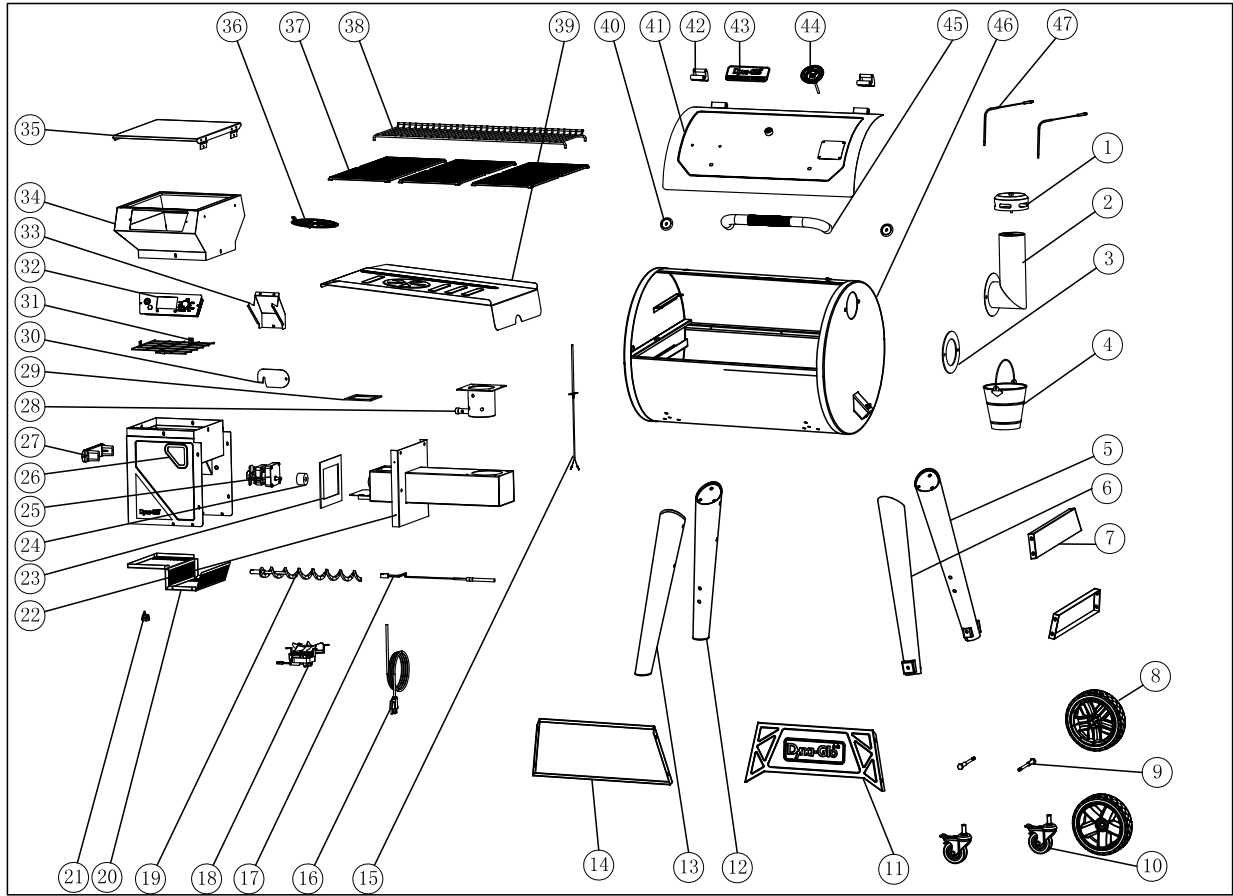
PROBLEMA	CAUSA POSIBLE	ACCIÓN CORRECTIVA
<p>Panel de control Código de error (LEr, HEr, Er1; Er2)</p>	<ul style="list-style-type: none"> <li>• <b>LEr - Alarma de baja temperatura</b> La temperatura de la parrilla cayó por debajo 120 ° durante más de 20 minutos.</li> <li>• <b>HEr - Alarma de temperatura alta</b> La temperatura de la parrilla alcanza Más de 550 °. El ahumador esta sobre calentado, posiblemente debido al engrasar fuego o exceso de pellets dentro de la olla de fuego.</li> <li>• <b>Er 1 - Sonda de temperatura no correctamente conectada.</b></li> <li>• <b>Er 2 - Dial de temperatura alarma de seguridad.</b></li> </ul>	<ul style="list-style-type: none"> <li>• <b>LEr-</b> Este error no afectará a la unidad. El fuego de la olla corre el riesgo de apagarse. Comprobar la tolva en busca de obstrucciones. Comprobar si en la olla de fuego hay acumulación de cenizas. Siga las instrucciones de cuidado y mantenimiento para quitar las cenizas de forma segura. Compruebe el medidor interno de temperatura / sonda y siga las Instrucciones de cuidado y mantenimiento para limpieza. Asegúrese de que el aire fluya a través la olla de fuego y siga el sistema de cocción. Compruebe si el flujo de aire es débil. Confirme que la barrena está girando y no hay ningún bloqueo en el tubo de la barrena. Evite abrir la tapa de un base frecuente.</li> <li>• <b>HEr -</b> Este error no afectará a la unidad. Ponga el dial de control de temperatura en ciclo de apagar y deje que el ventilador sople hasta que el ciclo este completo. Si ocurre un incendio de grasa, cierre la tapa y deje que el fuego se apague. Deje que la unidad se enfríe completamente antes volviendo a encender.</li> <li>• <b>Er1 –</b> Asegúrese de que la sonda de temperatura esté correctamente conectada a la placa del controlador.</li> <li>• <b>Er2 -</b> Gire el dial de control de temperatura a ciclo de apagado y deje que el ventilador sople hasta que el ciclo este completo. Una vez que el ciclo ha terminado, encienda la unidad y ajuste a la temperatura deseada. Si el problema persiste, comuníquese con el servicio de atención al cliente para soporte adicional.</li> </ul>

## LISTA DE PIEZAS DE REPUESTO

Para obtener piezas de repuesto, llame a nuestro departamento de servicio al cliente al 1-877-447-4768, de 8:00 a.m. a 4:30 p.m. CST, de lunes a viernes o envíenos un correo electrónico a [customerservice@ghpgroupinc.com](mailto:customerservice@ghpgroupinc.com).

PIEZA	DESCRIPCIÓN	NO. DE PIEZA
1	Tapón de la chimenea	70-02-246
2	Chimenea	70-02-247
3	Junta de la chimenea	70-02-249
4	Contenedor para la grasa	70-02-186
5	Pata trasera derecha	70-02-235
6	Pata frontal derecha	70-02-236
7	Panel lateral (1pz.)	70-02-237
8	Rueda (1pz.)	70-02-238
9	Eje de la rueda (1pz.)	70-02-239
10	Ruedas (1pz.)	70-02-203
11	Panel frontal	70-02-240
12	Pata trasera izquierda	70-02-241
13	Pata frontal izquierda	70-02-242
14	Panel posterior	70-02-243
15	Sonda de temperatura	70-02-262
16	Cable de alimentación	70-02-208
17	Varilla de encendido	70-02-188
18	Motor del ventilador	70-02-194
19	Barrena	70-02-776
20	Rejilla de seguridad del embudo inferior	70-02-777
21	Aislador del cable de alimentación	70-02-209
22	Carcasa de la barrena/crisol	70-02-778
23	Aislamiento de la carcasa de la barrena	70-02-190
24	Acoplamiento de la barrena	70-02-191
25	Motor de la barrena	70-02-244
26	Embudo inferior	70-02-779
27	Asa lateral	70-02-210
28	Crisol (Recipiente de combustión)	70-02-187
29	Espuma de poliuretano	70-02-780
30	Puerta del embudo trasero	70-02-781
31	Pantalla del embudo	70-02-782
32	Panel de control	70-02-783
33	Protector del panel de control	70-02-784
34	Embudo superior	70-02-785
35	Tapa del embudo	70-02-786
36	Volante	70-02-225
37	Rejilla de cocción (1pz.)	70-02-787
38	Rejilla de calentamiento	70-02-788
39	Bandeja para la grasa (sin volante)	70-02-789
40	Biseles del asa de la tapa (1pz.)	70-02-220
41	Tapa (sin medidor de temperatura, mango, insignia ni bisagras)	70-02-791
42	Bisagra de la tapa (1pz.)	70-02-183
43	Insignia	70-02-218
44	Medidor de temperatura analógico	70-02-219
45	Asa de la tapa	70-02-217
46	Cuerpo principal de la parrilla	70-02-245
47	Sonda para carne (1pz.)	70-02-213
	Kit de herrajes	70-09-580
	Manual de instrucciones	70-10-728

# LISTA DE PIEZAS DE REPUESTO



## **GARANTÍA**

---

Esta parrilla y ahumador de pellets de madera está garantizada contra piezas rotas o dañadas en el momento de la compra. La varilla de encendido tiene una garantía de 3 años. Todas las demás piezas tienen una garantía limitada de un (1) año. Se garantiza que la pintura está libre de defectos durante 90 días, excepto el óxido, que puede aparecer después de un uso repetido.

Esta garantía no cubre daños o problemas relacionados con negligencia, abuso o modificaciones al aparato. La mano de obra de reparación no está cubierta.

Todas las piezas que cumplan con los requisitos de la garantía se enviarán sin cargo a discreción de GHP Group Inc. (envíos terrestres, correo de EE. UU. O correo postal SOLAMENTE). Cualquier cargo por manejo especial (por ejemplo: segundo día, pernoctación, etc.) será responsabilidad del consumidor.

Todos los reclamos de garantía se aplican solo al comprador original y requieren un comprobante de compra que verifique la fecha de compra. No devuelva las piezas a la dirección de GHP sin antes obtener un número de autorización de devolución de nuestro servicio de atención al cliente. Este servicio está disponible llamando sin cargo al 1-877-447-4768, de 8:00 a.m. a 4:30 p.m. CST, de lunes a viernes.

Algunos estados no permiten la exclusión o limitación de daños incidentales o consecuentes o limitaciones sobre la duración de una garantía implícita, por lo que es posible que las limitaciones o exclusiones anteriores no se apliquen en su caso. Esta garantía le otorga derechos legales específicos y es posible que tenga otros derechos que varían de un estado a otro.

GHP Group Inc.  
6440 W. Howard Street  
Niles, IL, EE. UU.  
60714-3302

Nombre del artículo: Parrilla y Ahumador de Pellets de Madera  
Modelo #: DGSS7002BPW/ DGSS7002BPW-D/  
DGSS7002SPW/DGSS7002SPW-D/DGSS7002BRPW/DGSS7002BRPW-D  
Voltaje nominal: CA 110-120 V  
Frecuencia nominal: 60 Hz  
Potencia del motor de la barrena: 25 W  
Potencia del motor del ventilador: 25 W  
Potencia del encendedor: 200 W