



**Count on it.**

**Parts Catalog**

**22in Recycler®**

**Lawn Mower**

Model No. 21464—Serial No. 40000000 and Up



# Ordering Replacement Parts

To order replacement parts, please supply the part number, the quantity, and the description of each part desired.

## Understanding Reference Numbers

Each identified part in an illustration has a reference number. The reference number for a part also appears in the parts list, along with other information about the part.

This catalog uses two special reference number formats, one to indicate parts in a service assembly and another to indicate the quantity of a given part in an illustration.

## Service Assembly Reference Numbers

Parts in service assemblies have reference numbers in the form a:b. The a represents the reference number of the entire service assembly and the b represents a sequential number unique to each part within the service assembly.

For example, a wheel assembly might be identified by reference number 6, the tire by 6:1, the valve by 6:2, and the wheel by 6:3. When you order the assembly identified by reference number 6, you receive all parts identified by reference numbers 6:1, 6:2, and 6:3. However, you may also order any part individually. Reference numbers of this type appear in illustration and in parts lists.

## Reference Numbers Indicating Quantity

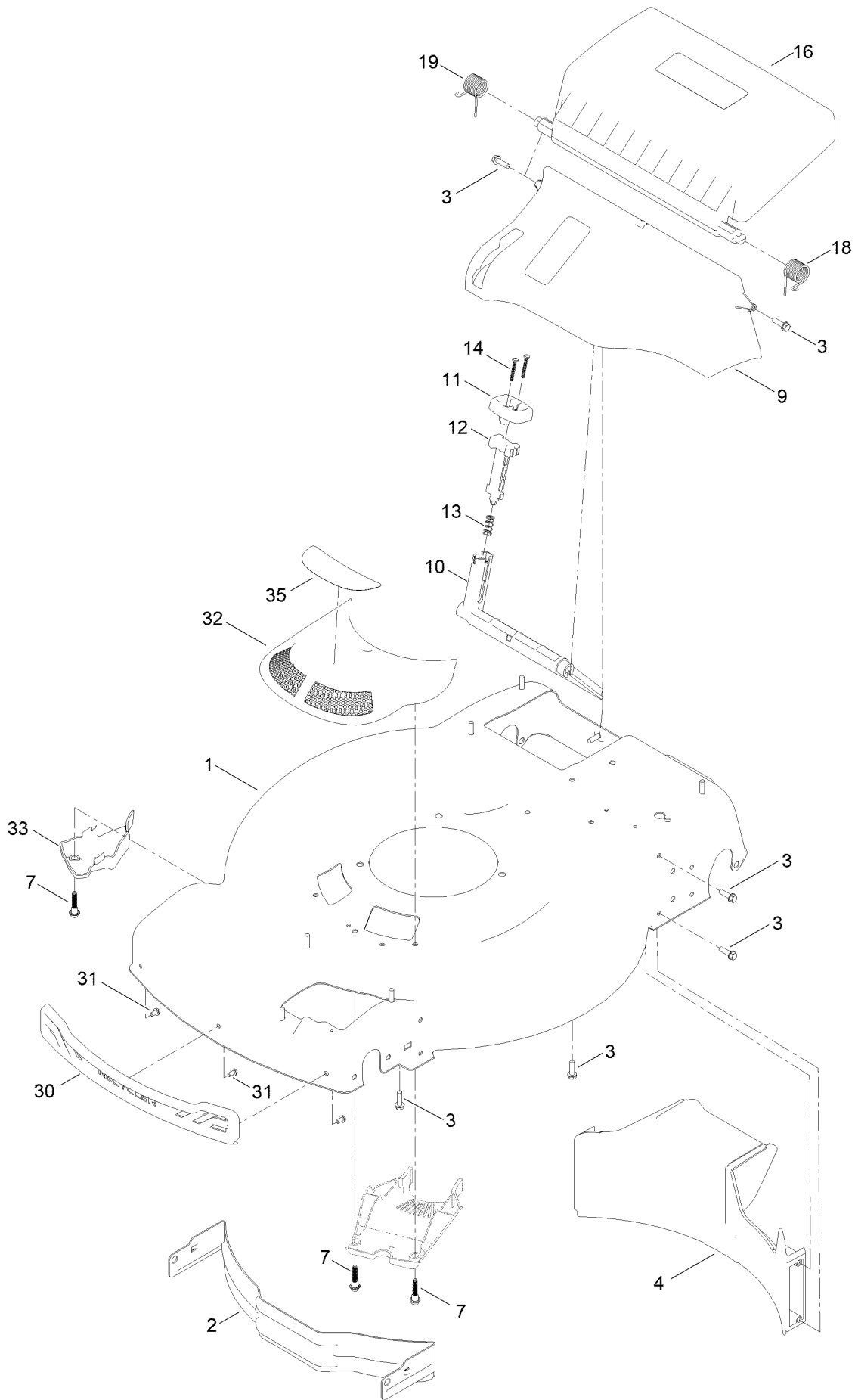
In an illustration, if a reference number indicates more than one part, the reference number has the form nX y. The n represents the quantity of the part, the X is the multiplication symbol, and the y represents the reference number.

For example, in an illustration, the reference number 2X 37 means that two of the parts identified by reference number 37 are indicated.

# Contents

Housing Assembly .....	4
Grass Bag Assembly .....	6
Decal Assembly .....	8
Engine and Blade Assembly .....	10
Front Wheel and Height-of-Cut Assembly .....	12
Rear Wheel and Height-of-Cut Assembly .....	14
Handle Assembly .....	16
Electrical Assembly .....	18
Battery Charger Assembly .....	20
Attachments and Accessories .....	22

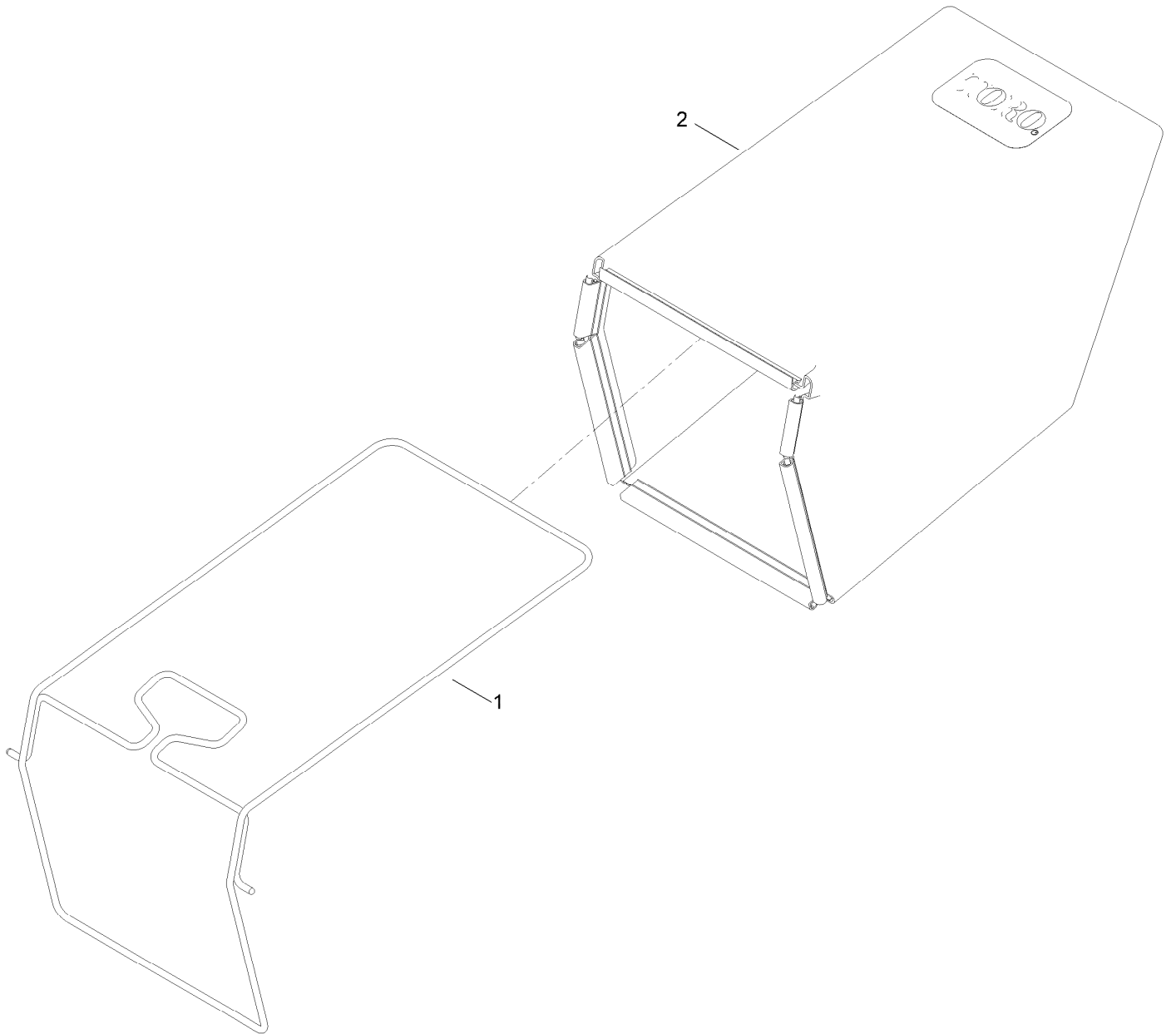
# Housing Assembly



## Housing Assembly (continued)

<i>Ref.</i>	<i>Part Number</i>	<i>Qty.</i>	<i>Description</i>	<i>Ref.</i>	<i>Part Number</i>	<i>Qty.</i>	<i>Description</i>
1	144-3192	1	Housing ASM	14	32104-120	2	Screw-PPH
2	114-7963-01	1	Baffle-Front	16	139-5476	1	ASM-Rear Door, In Mold
3	46-8091	13	Screw-HWH	18	139-5478	1	Spring-Torsion, LH
4	139-5440	1	Baffle-Rear, Rwd	19	139-5479	1	Spring-Torsion, RH
7	131-0837	1	Screw-Shoulder, HHF	30	139-5457	1	Bumper-Front
9	140-2368	1	ASM-Chute, In Mold	31	139-5467	3	Screw-Plastic, HWH
10	139-5443	1	Deflector-Recycle	32	144-0210	1	ASM-Intake, Rwd
11	139-5444	1	Knob-Recycle	33	140-2384	1	Cover-Intake, Bottom
12	139-5445	1	Latch-Recycle	35	140-4185	1	Decal
13	140-4192	1	Spring-Compression				

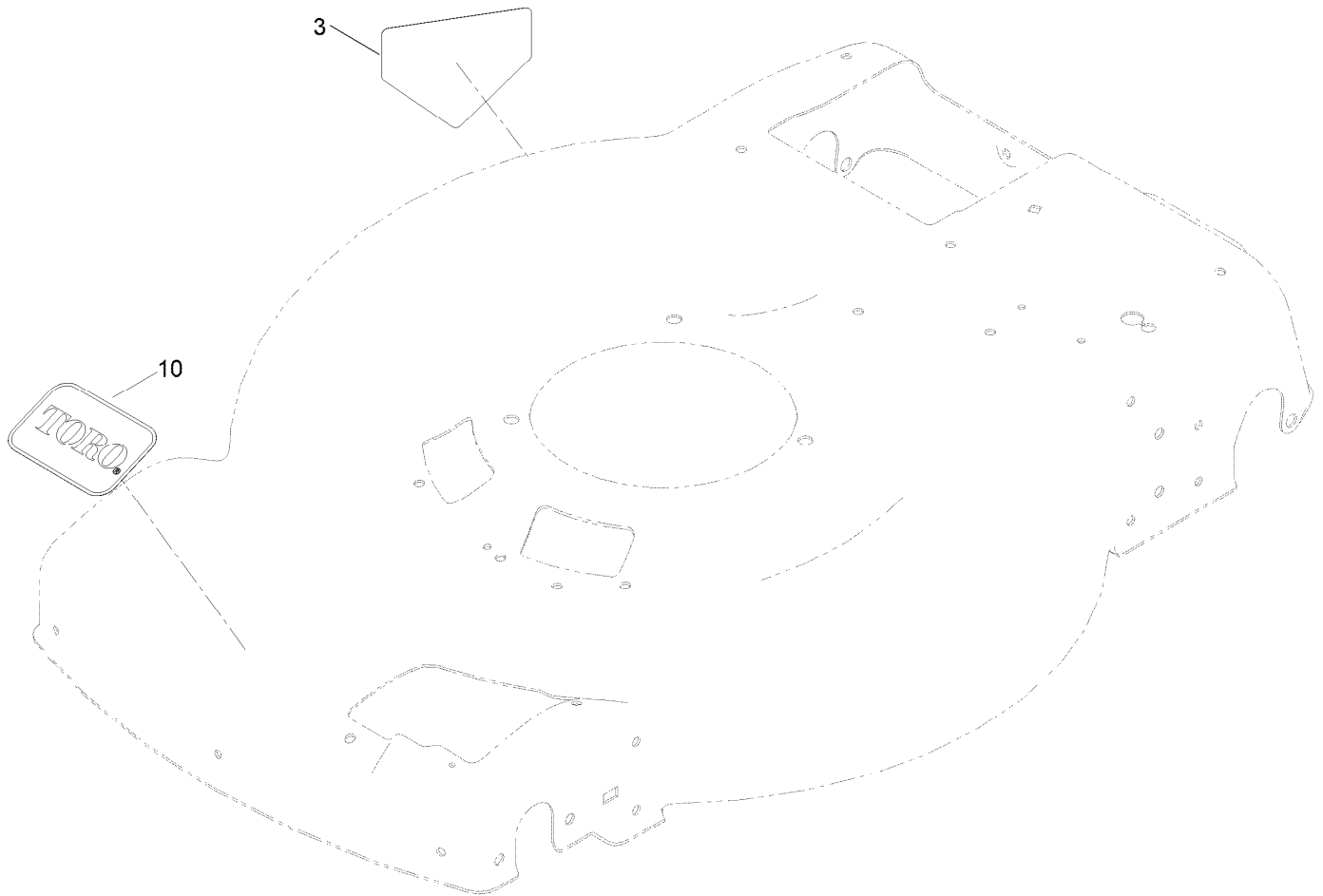
# Grass Bag Assembly



## Grass Bag Assembly (continued)

<i>Ref.</i>	<i>Part Number</i>	<i>Qty.</i>	<i>Description</i>
1	139-5470-03	1	ASM-Frame, Bag
2	139-5471	1	ASM-Bag, Grass

# Decal Assembly

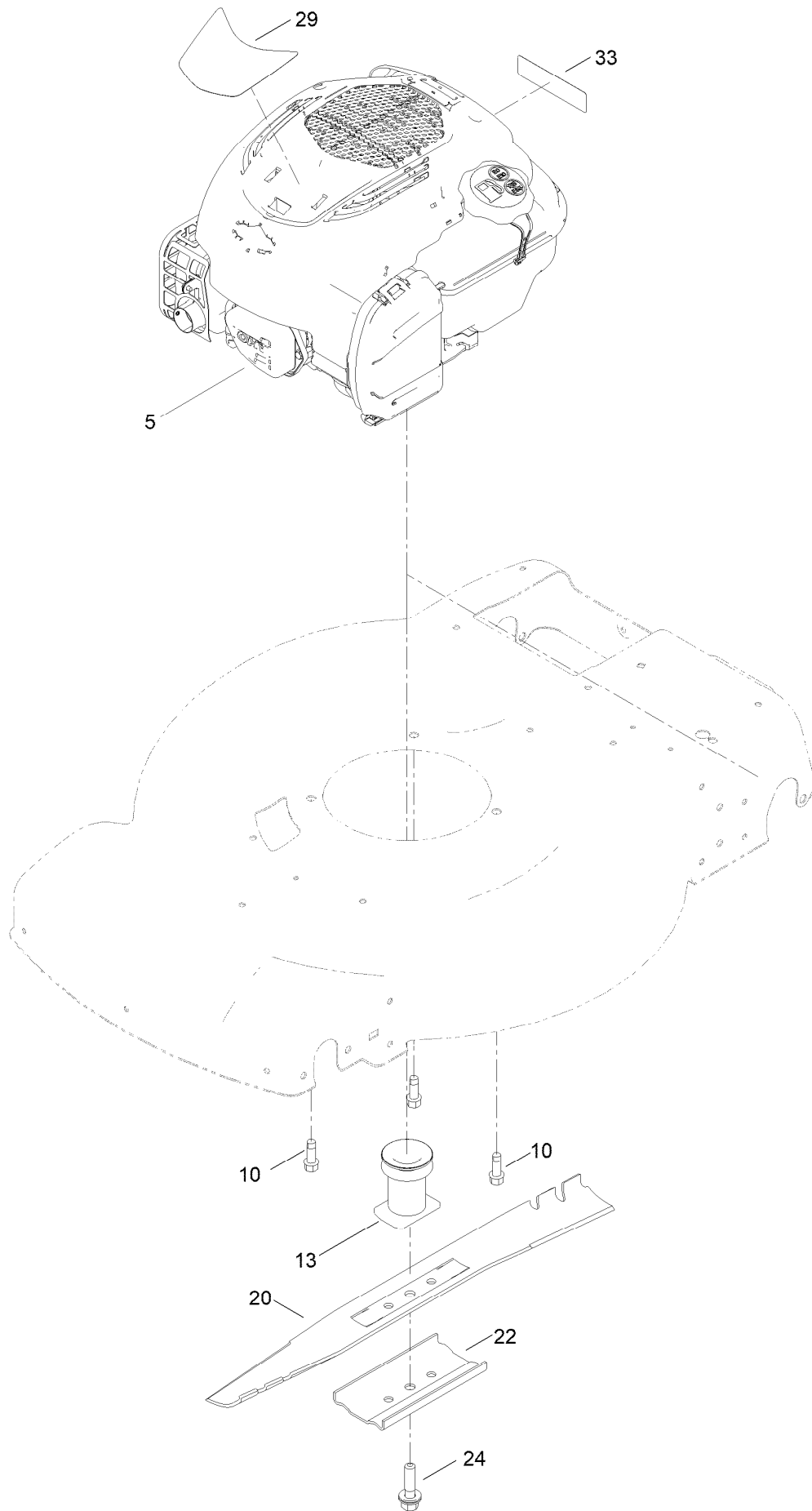




## Decal Assembly (continued)

<i>Ref.</i>	<i>Part Number</i>	<i>Qty.</i>	<i>Description</i>
3	94-8072	1	Decal-Danger
10	140-4183	1	Decal

# Engine and Blade Assembly



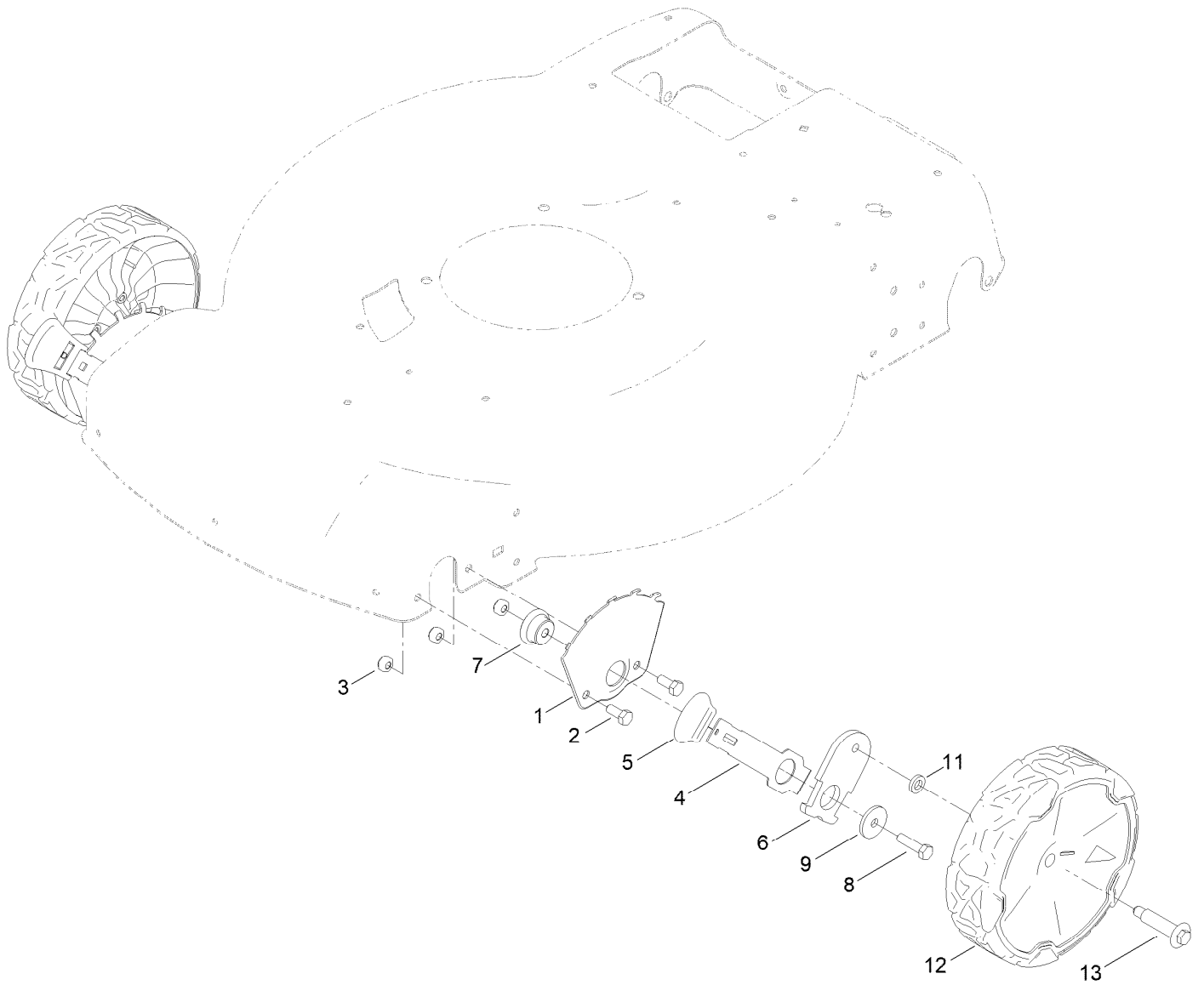
## Engine and Blade Assembly (continued)

<i>Ref.</i>	<i>Part Number</i>	<i>Qty.</i>	<i>Description</i>	<i>Ref.</i>	<i>Part Number</i>	<i>Qty.</i>	<i>Description</i>
5		1	Engine-Briggs, 625 Exi ES ●■	22	108-3766-03	1	Support-Blade
10	121-5844	3	Screw-Thd Form, HWH	24	125-2466	1	Bolt-Blade
13	139-1816	1	Driver-Blade	29	140-4249	1	Decal - Briggs 625 Ex ES
20	131-4547-03	1	Blade-22 Inch	33	133-8062	1	Decal-Arrestor, Spark

● Not serviced separately

■ Obtain parts from [www.briggsandstratton.com](http://www.briggsandstratton.com)

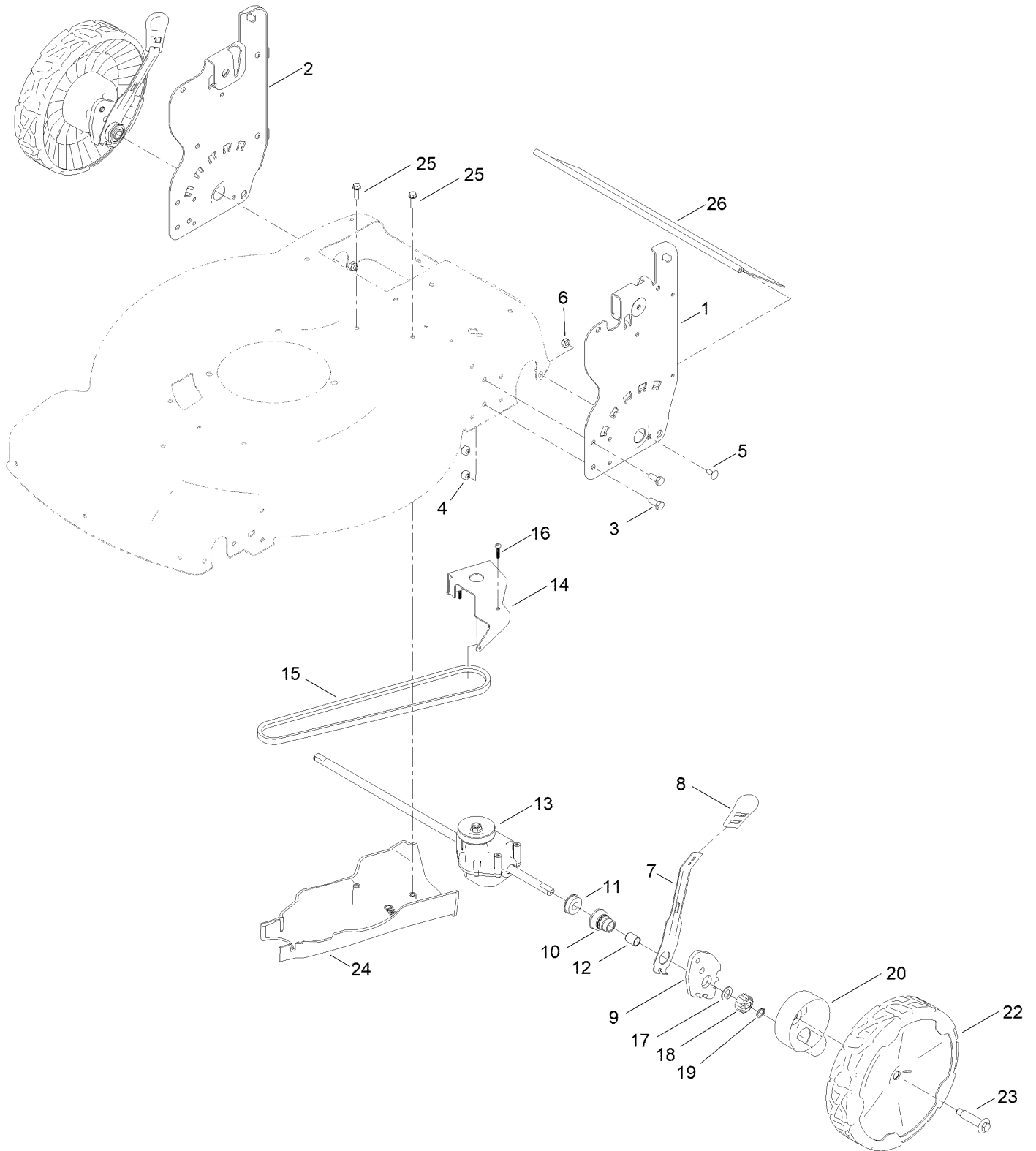
# Front Wheel and Height-of-Cut Assembly



## Front Wheel and Height-of-Cut Assembly (continued)

<i>Ref.</i>	<i>Part Number</i>	<i>Qty.</i>	<i>Description</i>	<i>Ref.</i>	<i>Part Number</i>	<i>Qty.</i>	<i>Description</i>
1	115-1956-05	2	Plate-HOC,Front Fsvq Wednesday	7	105-1818	2	Bushing-Mount, HOC
2	322-3	4	Screw-HH	8	322-6	2	Screw-HH
3	3296-29	6	Nut-Lock, NI	9	105-3048	2	Washer-Flat
4	105-1809	2	Arm-Spring	11	139-5449	2	Washer-Wheel Bolt
5	110-0549	2	Knob-HOC	12	140-2355	2	ASM-8" Wheel, Idler
6	137-9128	2	Arm-Pivot, Front	13	139-1789	2	Wheel Bolt

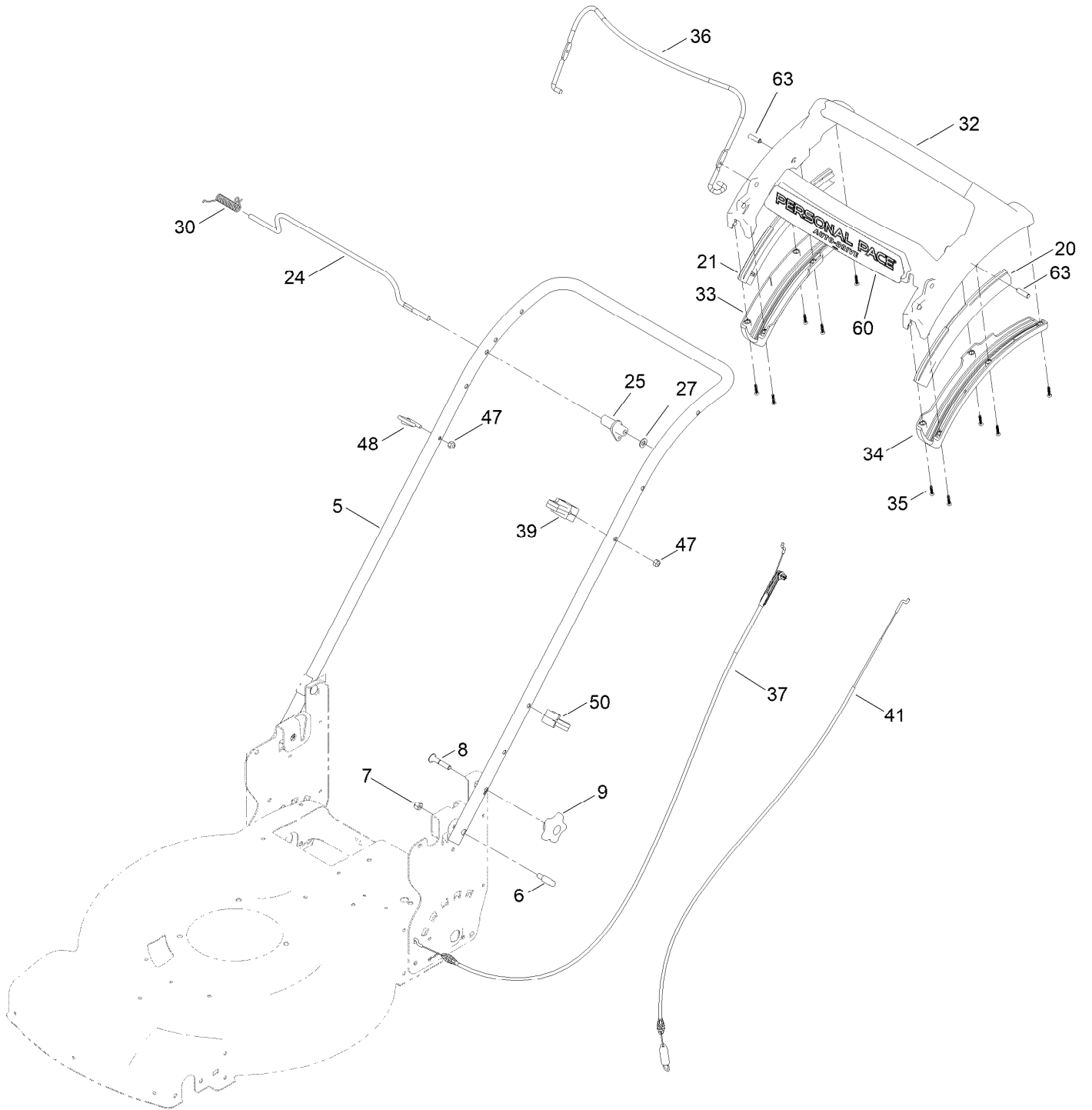
# Rear Wheel and Height-of-Cut Assembly



## Rear Wheel and Height-of-Cut Assembly (continued)

<i>Ref.</i>	<i>Part Number</i>	<i>Qty.</i>	<i>Description</i>	<i>Ref.</i>	<i>Part Number</i>	<i>Qty.</i>	<i>Description</i>
1	139-6591-05	1	Plate-HOC, LH (ISO)	14	114-7977-03	1	Bracket-Transmission
2	139-6590-05	1	Plate-HOC, RH (ISO)	15	140-4041	1	V-Belt
3	322-3	4	Screw-HH	16	108-7476	3	Screw-Plastite
4	3296-29	4	Nut-Lock, NI	17	110-7191	2	Washer-Thrust
5	3229-11	2	Screw-CARR	18	131-5399	2	Gear-Pinion, 15T
6	3296-16	2	Nut-Lock, NI	19	32151-61	2	Ring-Retaining
7	132-4486	2	Arm-Spring	20	140-2362	2	ASM-Cover, Gear (Dk Gray)
8	110-0549	2	Knob-HOC	22	140-2350	2	ASM-9.65" Wheel, Geared
9	139-5451	2	Arm-Pivot, Rear	23	139-1789	2	Wheel Bolt
10	108-9779	2	Retainer-Bushing, HOC	24	139-5448	1	Cover-Belt, Rwd
11	104-8699	2	Bearing-Ball	25	46-8091	2	Screw-HWH
12	108-9782	2	Bushing-Sleeve	26	139-6597	1	Shield-Trailing
13	139-6561	1	Transmission-Rwd				

# Handle Assembly

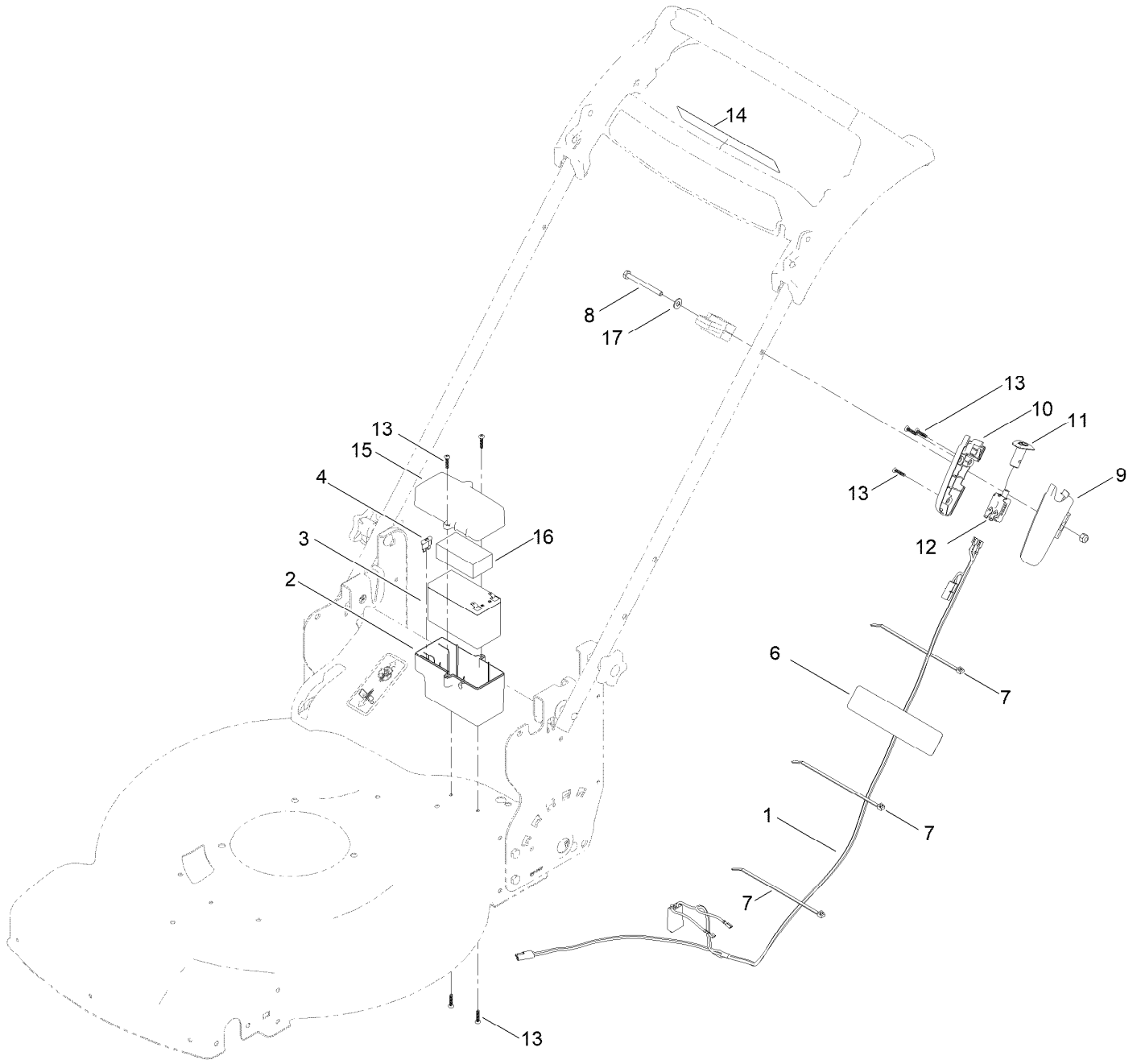




## Handle Assembly (continued)

<i>Ref.</i>	<i>Part Number</i>	<i>Qty.</i>	<i>Description</i>	<i>Ref.</i>	<i>Part Number</i>	<i>Qty.</i>	<i>Description</i>
5	139-5458-05	1	Handle-Curved	33	139-6567	1	Bottom-Handle, RH
6	139-6599	2	Bolt-Shoulder, Handle	34	139-6568	1	Bottom-Handle, LH
7	3296-29	2	Nut-Lock, NI	35	94-4496	10	Screw-PPH
8	131-9663	2	Screw-CARR	36	140-4023-03	1	Bail-Brake
9	117-5976	2	Knob-Handle	37	139-6594	1	Cable-Brake, Pp B&s
20	140-2367	1	Guide-Curved, LH (Rwd)	39	139-6581	1	Anchor-Cable, Rwd
21	140-2366	1	Guide-Curved, RH (Rwd)	41	139-6595	1	Cable-Traction, Rwd (Pp)
24	139-5464	1	Rod-Control, Traction	47	3296-73	2	Nut-Lock, NI
25	139-6554	1	Lever-Traction, Rwd	48	86-9671	1	Guide-Rope
27	3256-23	1	Washer-Plain	50	114-7988	1	Guide-Cable
30	140-4194	1	Spring-Torsion	60	140-4187	1	Decal
32	139-6569	1	Handle-Personal Pace, Curved	63	139-6577	2	Pin-Handle, Pp

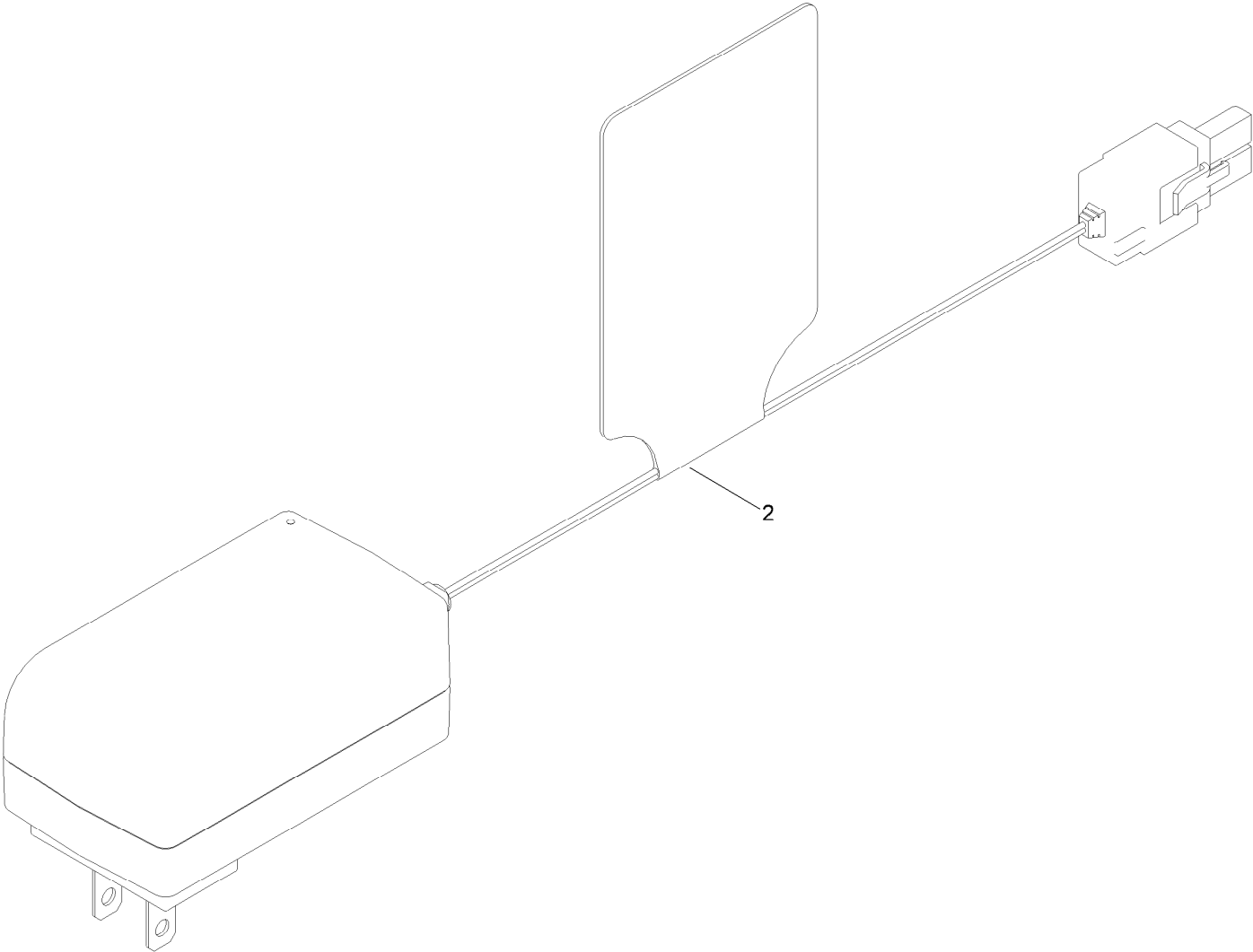
# Electrical Assembly



## Electrical Assembly (continued)

<i>Ref.</i>	<i>Part Number</i>	<i>Qty.</i>	<i>Description</i>	<i>Ref.</i>	<i>Part Number</i>	<i>Qty.</i>	<i>Description</i>
1	140-3924	1	Harness-Wire	10	133-8161	1	Housing-Switch, RH
2	140-3920	1	Tray-Battery	11	125-2470	1	Button-Switch
3	127-0694	1	Battery-Nonspillable, 12 V	12	121-9173	1	Switch-Push Button
4	99-6124	1	Fuse-40 Amp	13	94-4496	7	Screw-PPH
6	140-4357	1	Decal-Battery Charging	14	133-1900	1	Decal-Button, Push
7	614249	3	Tie-Cable	15	140-3921	1	Cover-Battery
8	321-57	1	Screw-HH	16	107-3774	1	Foam-Battery, Top
9	133-8160	1	Housing-Switch, LH	17	3256-1	1	Washer-Flat

# Battery Charger Assembly



# Battery Charger Assembly (continued)

<i>Ref.</i>	<i>Part Number</i>	<i>Qty.</i>	<i>Description</i>
2	136-9126	1	Charger, Battery (12V)

# Attachments and Accessories

## For 21464 22in Recycler Lawn Mower

<b>Product Name</b>	<b>Model/Part</b>
22 Inch Atomic Blade .....	59534P
Lawnmower Cover.....	490-7462
Lawn Striping Kit with 22in Roller.....	20601
Bag-Walk Behind (Toro).....	490-7318
Briggs Maint Kit.....	130-8148
Fuel Stabilizer .05 oz .....	130-2393
Toro Premium Fuel Treatment 12 Oz Bottle .....	131-6572
4-Cycle Fuel, Snow And Lawn 32oz Can .....	131-3823
Oil-30/10W-30 Synthetic (Quart).....	138-6053
Summer Oil-Case of 24 (20oz Bottles).....	38916
Toro 4-Cycle SAE 30 Oil (32oz Bottle) .....	38903

**Notes:**



**Count on it.**