

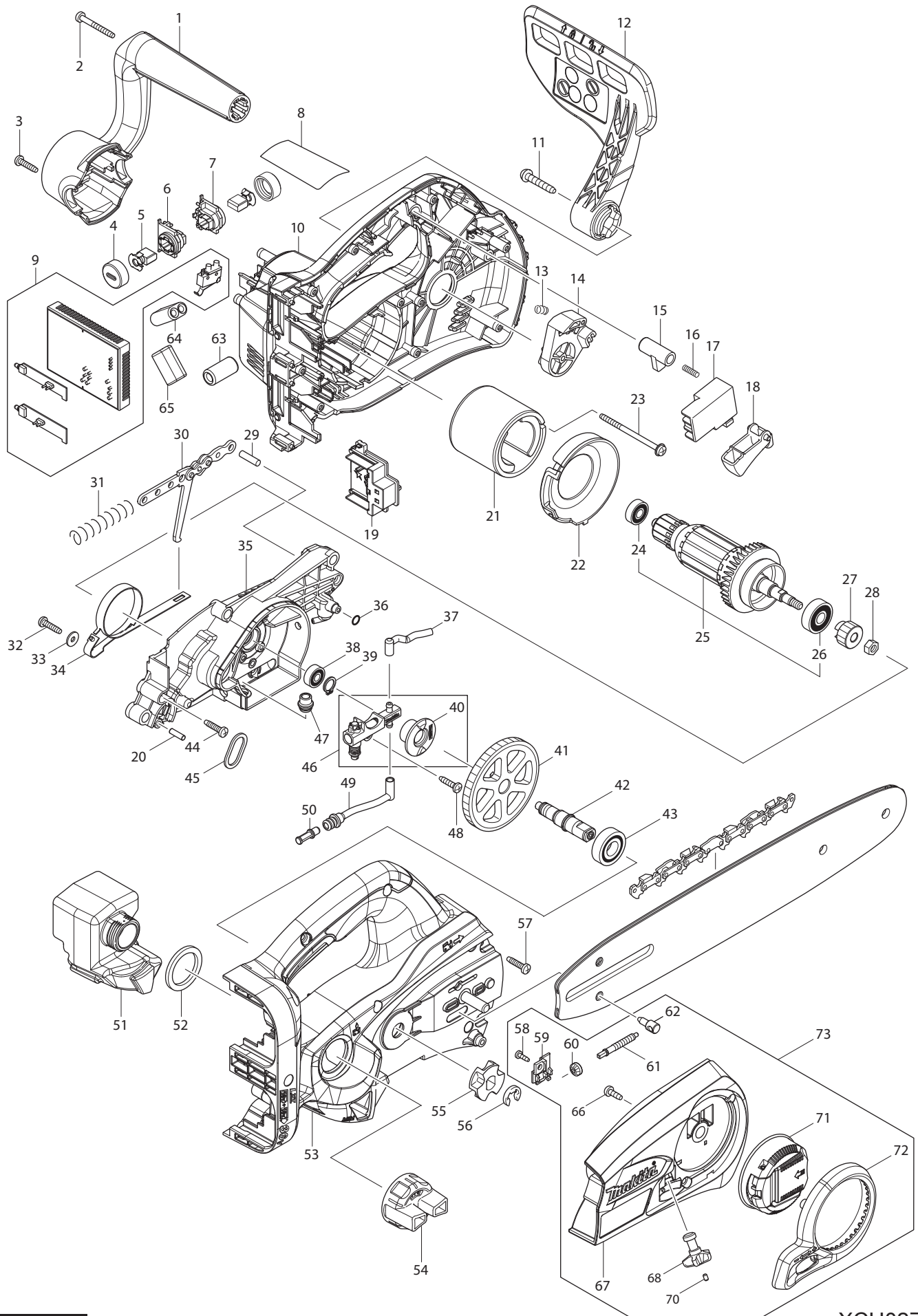
Model XAG06Z Parts List

A = Standard Equipment

O = Circuit Diagram

Item#	Part#	Description	Q'ty	Unit	
001	629139-6	STATOR COMPLETE	1		
002	210034-7	BALL BEARING 607LLB	1	PC.	
003	519354-9	ROTOR ASS'Y	1		
	D10	INC. 2			
004	319214-3	GEAR HOUSING COVER	1		
005	213445-5	O-RING 26	1	PC.	
006	210042-8	BALL BEARING 629LLB	1	PC.	
007	227541-3	SPIRAL BEVEL GEAR 10	1	PC.	
008	252186-8	HEX. NUT M6	1	PC.	
009	417771-6	PIN CAP	1	PC.	
010	233072-2	COMPRESSION SPRING 8	1	PC.	
011	266361-0	TAPPING SCREW 4X30	4	PC.	
012	213960-9	O RING 5	1	PC.	
013	256546-6	SHOULDER PIN 4	1	PC.	
014	319213-5	GEAR HOUSING	1		
015	263002-9	RUBBER PIN 4	1	PC.	
016	210033-9	BALL BEARING 696ZZ	1	PC.	
017	233950-6	RING SPRING 11	1	PC.	
018	227641-9	SPIRAL BEVEL GEAR 37	1		
019	962151-6	RETAINING RING R-32	1	PC.	
020	211129-9	BALL BEARING 6201DDW	1	PC.	
021	267113-2	FLAT WASHER 12	1	PC.	
022	213622-9	O RING 45	1	PC.	
023	318331-6	BEARING BOX	1	PC.	
024	911121-2	PAN HEAD SCREW M4X14	4	PC.	
025	345464-4	LABYRINTH RING	1	PC.	
026	324955-8	SPINDLE A	1	PC.	
027	123144-0	TOOLLESS WHEELCOVER 115AK ASSY	1	PC.	
	C10	213009-5	O RING 4	1	PC.
	C20	265180-1	PAN HEAD SCREW M5X16	1	PC.
028	224399-1	INNER FLANGE 45	1	PC.	
029	193465-4	LOCK NUT 5/8-45	1	PC.	
030	850L04-2	XAG06 NAME PLATE	1		
031	266326-2	TAPPING SCREW 4X18	5	PC.	
032	455450-8	DUST COVER R	1		
033	183A52-3	MOTOR HOUSING SET	1		
	C10	263005-3	RUBBER PIN 6	2	PC.
	D10	INC. 41			
036	632E12-1	SWITCH UNIT	1	PC.	
037	234357-9	COMPRESSION SPRING 11	1		
038	142976-6	SWITCH LEVER COMPLETE	1		
039	142901-7	INDICATOR PANEL COMPLETE	1		
040	650734-1	SWITCH TG73BDS-2	1		
041	183A52-3	MOTOR HOUSING SET	1		
	C10	263005-3	RUBBER PIN 6	2	PC.
	D10	INC. 33			
042	455449-3	DUST COVER L	1		
043	643899-6	TERMINAL	1	PC.	
046	850L08-4	XAG06 SERIAL NO. LABEL	1		
A01	A-95956	INOX GRINDING WHEEL 115MM	1	PC.	

A02	158237-4	GRIP 36 COMPLETE	1 PC.
A03	782424-9	LOCK NUT WRENCH 28	1 PC.
A04	122910-2	WHEEL COVER 115CK ASSEMBLY	1 PC.
	C10 213009-5	O RING 4	1 PC.
	C20 265180-1	PAN HEAD SCREW M5X16	1 PC.
A05	724115-A-25	THIN CUTTING 115	1 PC.
E01	805C42-5	CAUTION LABEL	1



Model XCU02Z Parts List

A = Standard Equipment

O = Circuit Diagram

Item#	Part#	Description	Q'ty	Unit
001	451972-6	FRONT HANDLE	1	PC.
002	266053-1	TAPPING SCREW 4X35	1	PC.
003	265995-6	TAPPING SCREW 4X18	2	PC.
004	643941-3	BRUSH HOLDER CAP	2	PC.
005	CB442	CARBON BRUSH SET CB-442 (195023-2)	1	SET
006	644514-5	BRUSH HOLDER	1	
007	644513-7	BRUSH HOLDER	1	
008	815R33-8	XCU02 NAME PLATE	1	
009	620306-6	CONTROLLER	1	PC.
010	187941-8	HOUSING SET	1	
	C10 263005-3	RUBBER PIN 6	4	PC.
	C20 803R62-3	CAUTION LABEL	1	
	C30 804R95-1	CAUTION LABEL	1	
	D10	INC. 53		
011	266173-1	TAPPING SCREW 5X30	1	PC.
012	455120-9	FRONT HAND GUARD	1	PC.
013	231298-0	COMPRESSION SPRING 6	1	PC.
014	451973-4	HAND GUARD SUPPORT	1	PC.
015	416178-3	LOCK-OFF BUTTON	1	PC.
016	233173-6	COMPRESSION SPRING 4	1	PC.
017	650730-9	SWITCH TG72BD-6	1	
018	450212-9	SWITCH LEVER	1	PC.
019	644808-8	TERMINAL	2	PC.
020	256184-4	PIN 4	1	PC.
021	638571-3	YOKE UNIT	1	PC.
022	451970-0	BAFFLE PLATE	1	PC.
023	266292-3	TAPPING SCREW 4X65	2	PC.
024	210062-2	BALL BEARING 607ZZ	1	PC.
025	519268-2	ARMATURE ASS'Y 36V	1	PC.
	D10	INC. 24,26		
026	211092-6	BALL BEARING 629DDW	1	PC.
027	227252-0	SPUR GEAR 16	1	PC.
028	252186-8	HEX. NUT M6	1	PC.
029	256123-4	PIN 5	1	PC.
030	158047-9	LINK PLATE COMPLETE	1	PC.
031	233175-2	COMPRESSION SPRING 9	1	PC.
032	265995-6	TAPPING SCREW 4X18	1	PC.
033	267195-4	FLAT WASHER 4	1	PC.
034	168321-7	BRAKE BAND	1	PC.
035	142573-8	BEARING HOUSING COMPLETE	1	PC.
	C10 263002-9	RUBBER PIN 4	1	PC.
	C20 414377-1	NOZZLE	1	PC.
036	213039-6	O RING 6	1	PC.
037	422058-3	CONNECTOR	1	PC.
038	210028-2	BALL BEARING 606ZZ	1	PC.
039	961006-2	RETAINING RING S-10	1	PC.
040	221427-3	WORM GEAR	1	PC.
041	227251-2	SPUR GEAR 73	1	PC.
042	326417-2	SPINDLE	1	
043	210109-2	BALL BEARING 6001DDW	1	PC.
044	265995-6	TAPPING SCREW 4X18	3	PC.
045	310593-2	HANGER	1	PC.

046	196419-0	OIL PUMP SET	1
	D10	INC. 40	
047	424629-2	GROMMET	1 PC.
048	265995-6	TAPPING SCREW 4X18	1 PC.
049	422057-5	CONNECTOR	1 PC.
050	450437-5	FILTER	1 PC.
051	455121-7	OIL TANK	1 PC.
052	424326-0	SPONGE SHEET	1 PC.
053	187941-8	HOUSING SET	1
	C10	263005-3 RUBBER PIN 6	4 PC.
	C20	803R62-3 CAUTION LABEL	1
	C30	804R95-1 CAUTION LABEL	1
	D10	INC. 10	
054	158810-0	TANK CAP COMPLETE	1 PC.
055	221526-1	SPROCKET	1 PC.
056	961014-3	STOP RING E-8	1 PC.
057	265995-6	TAPPING SCREW 4X18	9 PC.
058	266020-6	TAPPING SCREW 4X12	1 PC.
059	454818-5		1
060	227496-2	STRAIGHT BEVEL GEAR 14	1 PC.
061	326372-8	ADJUST SCREW	1
062	326310-0	ADJUST PIN	1
066	266020-6	TAPPING SCREW 4X12	3 PC.
067	142571-2	SPROCKET COVER COMPLETE	1
068	142665-3	DRIVE GEAR COMPLETE	1 PC.
070	263002-9	RUBBER PIN 4	1 PC.
071	142235-8	NUT COMPLETE	1
072	454819-3	NUT COVER	1
073	196779-0	SPROCKET COVER SET	1 PC.
	D10	INC. 58-62,66-68,70-72	
A01	165245-8	GUIDE BAR	1 PC.
A02	419288-5	CHAIN COVER	1 PC.
A03	196740-7	SAW CHAIN SET	1