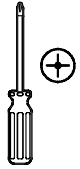


Pre-assembly

TOOLS REQUIRED



Phillips screwdriver



Safety goggles



10 mm Wrench

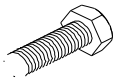


13 mm Wrench

HARDWARE INCLUDED



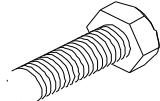
NOTE: Hardware not shown to actual size.



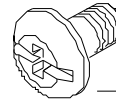
AA



BB



CC



DD

Part	Description	Quantity
AA	Bolt M6x15L	6
BB	Washer M8	24
CC	Bolt M8x20L	24
DD	Screw M4x8L	8

SPECIFICATIONS

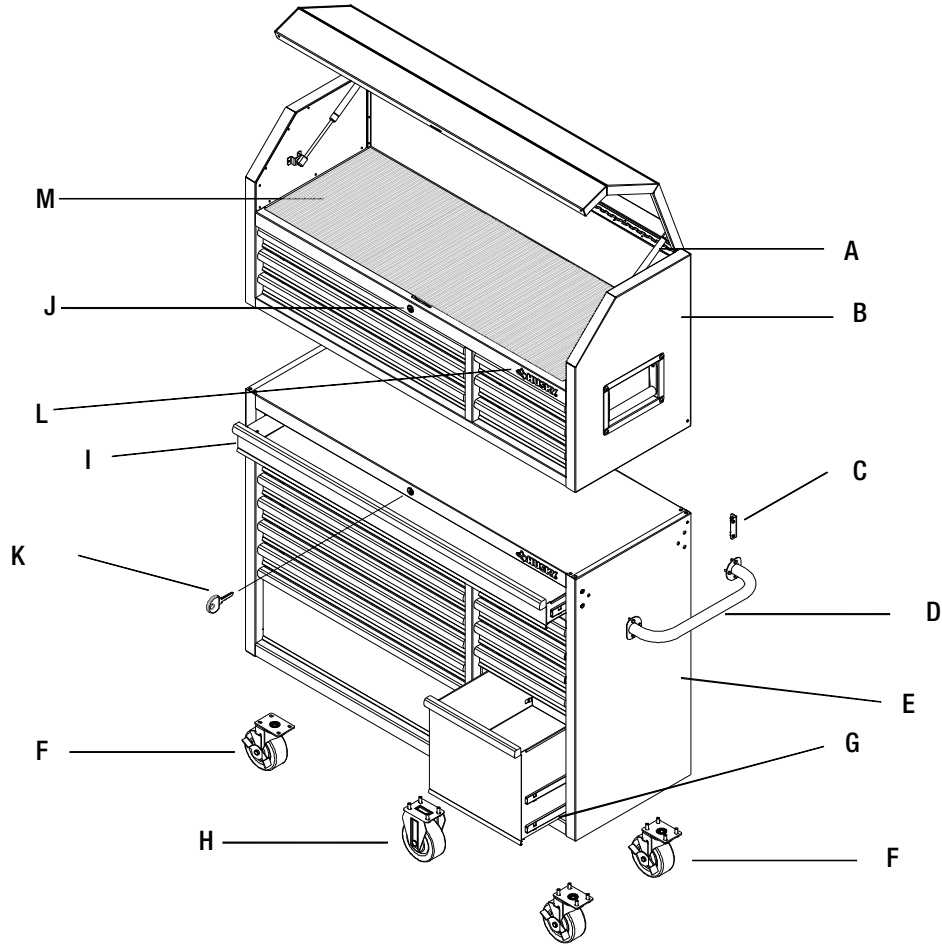
Maximum capacity (chest drawer)	300 lbs.
Maximum capacity (cabinet drawer)	800 lbs.
Empty weight	374 lbs.



NOTE: Begin product assembly close to the final intended location of your chest/cabinet. This product is heavy and may be difficult to move after assembly.

Pre-assembly (continued)

PACKAGE CONTENTS



Part	Description	Quantity
A	Gas lift	2
B	Top chest	1
C	Bracket	2
D	Side handle	1
E	Rolling cabinet	1
F	Swivel caster with brake	4
G	Drawer slide (pair)	20

Part	Description	Quantity
H	Regular caster	2
I	Drawer	18
J	Lock	2
K	Key (set)	2
L	Husky badge	2
M	Drawer Liner	19

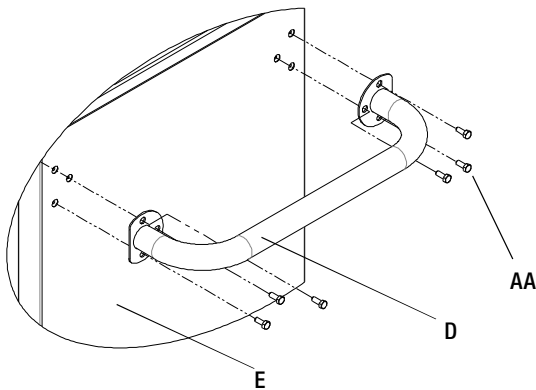
Assembly

1 Attaching the side handle

- Attach the side handle (D) to the rolling cabinet (E) using six bolts (AA).



NOTE: The holes in the cabinet are tapped and do not require nuts.

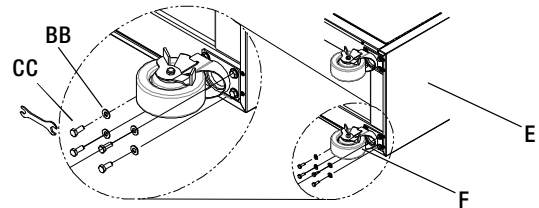


2 Installing the casters



CAUTION: Do not over tighten the screws.

- Ensure all cabinet drawers are securely locked into place using the key lock on the rolling cabinet (E).
- Lay the rolling cabinet (E) on its back. Use the packaging material to protect the finish.
- Mount the four swivel casters with brake (F) to the rolling cabinet (E) using four bolts (CC) and washers (BB) per caster. The swivel casters with brake (F) should be installed on each end at the cabinet.
- Mount the two regular casters (H) to the center the rolling cabinet (E) using four bolts (CC) and washers (BB) per caster.
- Tighten all bolts with a wrench.
- Return the rolling cabinet (E) to its upright position.

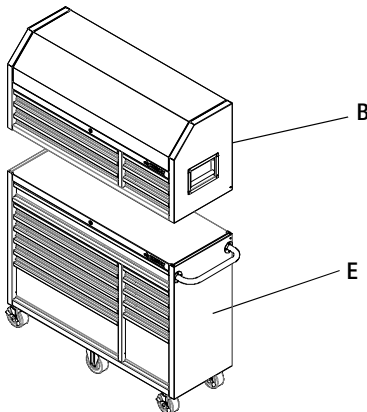


3 Placing the chest



NOTE: Two people may be required to complete this step.

- Place the top chest (B) on top of the rolling cabinet (E).

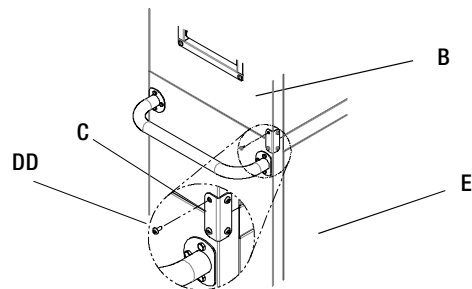


4 Installing the brackets



NOTE: The holes in the cabinet are tapped and do not require nuts.

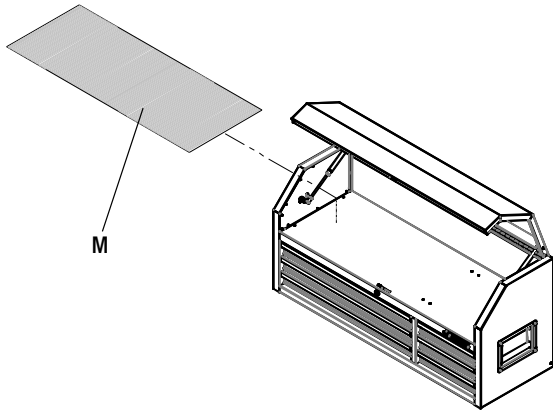
- Attach the brackets (C) to the back of the product to secure the top chest (B) to the rolling cabinet (E). Place the brackets over the holes and secure with four screws (DD) per bracket.
- Tighten all screws securely with a screwdriver.



Assembly (continued)

5 Installing the drawer liner

- Place the drawer liners (M) in appropriately sized drawers and the chest lid area to protect the surface.



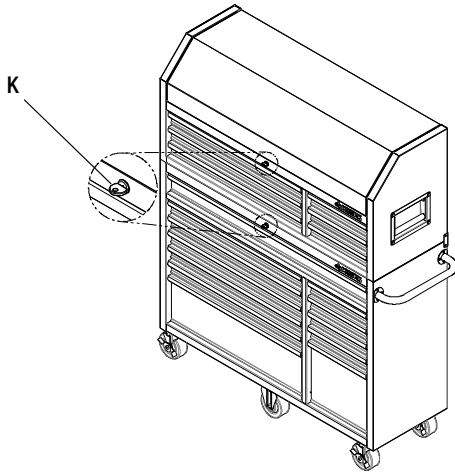
Operation

1 Locking and unlocking the unit



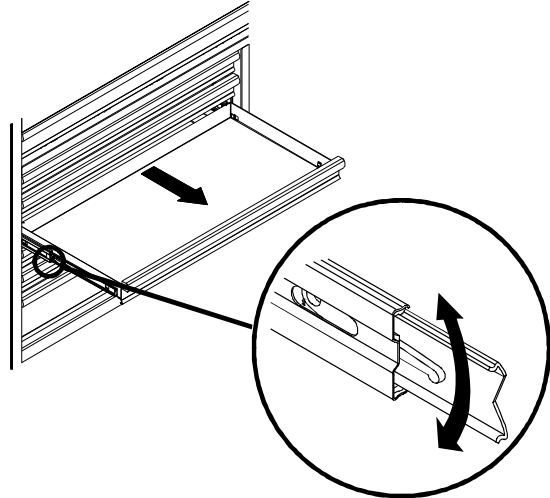
IMPORTANT: The drawers must be fully closed before locking / unlocking the unit.

- Insert the key (K) and turn it fully to the left to lock.
- Remove the key (K).
- Insert the key (K) and turn it fully to the right to unlock.
- Remove the key (K).



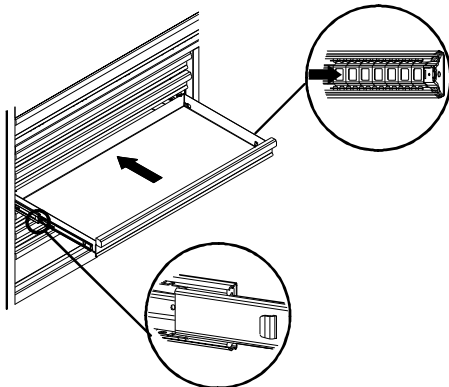
2 Removing the drawers

- Fully extend and empty the drawer.
- Depending on the slide, either lift or lower the release lever on both sides so the slides can ride over the stops. Pull out to remove.



3 Installing the drawers

- Pull the slides and slide carrier out until fully extended.
- Hold the slide on the cabinet while aligning it with the slide on the drawer.
- Slightly insert one side and repeat for the other side.
- Slowly push the drawer until it is fully closed to engage the slide.
- Open the drawer and close it to verify proper operation.

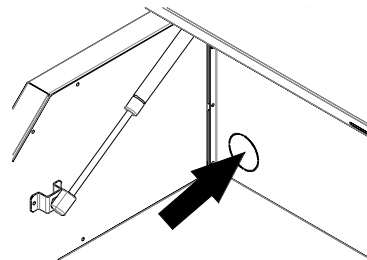


4 Preparing the electrical hole



WARNING: Be careful to put the power cord through the hole, as there may be sharp edges around the punched hole.

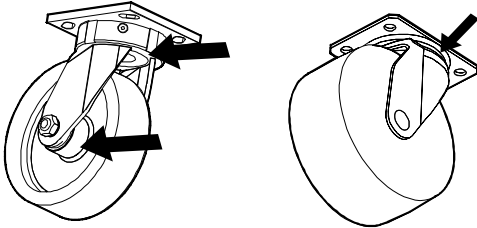
- A perforated hole is located in the back of the chest to allow for the use of a power cord to be used while the chest top lid is closed.
- The perforated hole can be punched through with a small hammer, mallet, or punch. The hole has been perforated around the edges. Take care not to damage the cabinet around the perforation when punching the hole through.
- Use a metal file to smooth out any sharp edges around the hole.



Maintenance

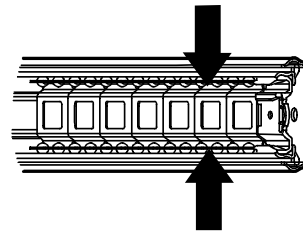
1 Maintaining the casters

- Grease the casters annually using high quality bearing grease.



2 Maintaining the drawers

- Periodically clean the drawer trim, and inside the drawers with a mild detergent and water.
- Remove grease and oil with a standard, nonflammable cleaning fluid.
- The use of drawer liners is recommended to protect the finish inside the drawers and make the drawers easier to clean. Drawer liners can be purchased at The Home Depot and can be cleaned with soap and water.
- Lubricate the slides semi-annually with grease or equivalent.



Care and Cleaning

- This steel product has been coated with industrial powder coating for a durable finish.
- To help protect the powder coated finish, do not allow harsh chemicals (oil, grease, or other chemical) to remain on the powder coating surface.
- Use a glass cleaner (Windex® or equivalent product) to clean and maintain all surfaces of powder coating.