



Buy it for looks. Buy it for life.®

There is more than 1 version of this model.
Page down to identify the version you have.

DESCRIPTION

- Metal construction with chrome plated finish
- 1/2" connections: IPS - exterior, CC - interior
- Includes showerhead, arm and flange, tub filler spout

OPERATION

- Acrylic knob handles with hot and cold color indicators
- Volume and temperature controlled by rotating either handle counterclockwise to open and clockwise to close

FLOW

- Showerhead is limited to 2.5 gpm (9.5 L/min) Max.
- EP Suffix models are limited to 1.75 gpm (6.6 L/min.) at 80 psi

CARTRIDGE

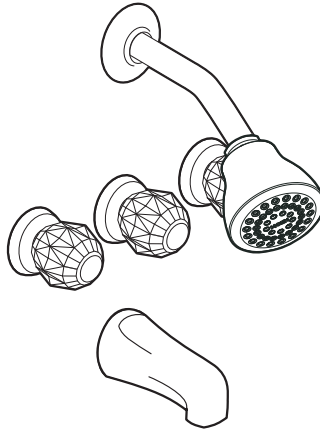
- 1224 cartridge design
- Nonmetallic and stainless steel materials

STANDARDS

- Third party certified to ASME A112.18.1/CSA B-125-1, and all applicable requirements referenced therein

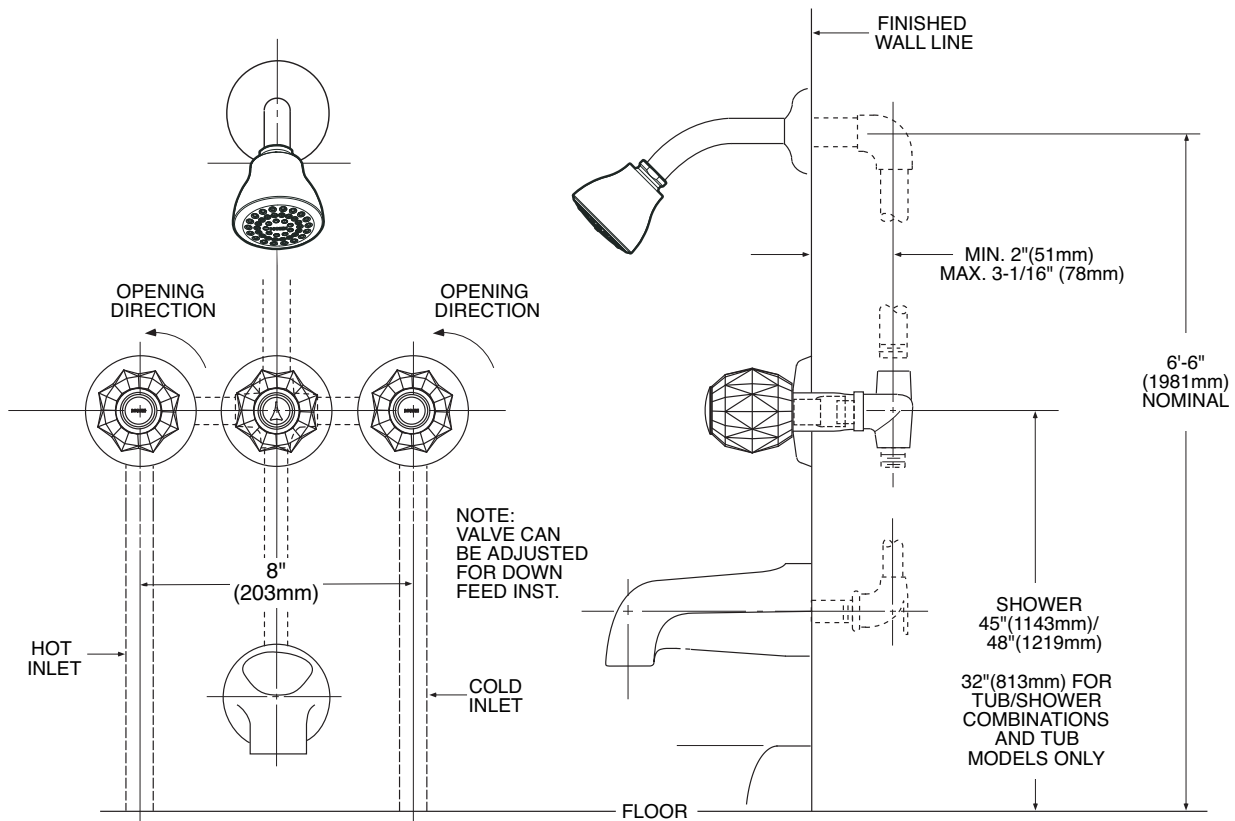
WARRANTY

- Lifetime limited warranty against leaks, drips and finish defects to the original consumer purchaser
- 5 year warranty if used in commercial installations



CHATEAU®
Three-Handle Tub/Shower Valve

Models: 2995, 2995EP



CRITICAL DIMENSIONS

(DO NOT SCALE)



Buy it for looks. Buy it for life.®

Specifications

DESCRIPTION

- Chrome plated metal construction
- 1/2" IPS connections
- Includes showerhead, arm and flange

OPERATION

- Dual control
- Acrylic knob style handles
- Volume and temperature controlled by rotating either handle counterclockwise to open and clockwise to close

FLOW

- Showerhead is limited to 2.5 gpm (9.5 L/min) max.

CARTRIDGE

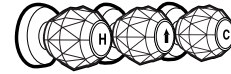
- 1224 cartridge design
- Nonmetallic and stainless steel materials

STANDARDS

- Designed and manufactured to comply with the requirements of: CSA B-125 and ASME A112.18.1M and all applicable requirements referenced therein

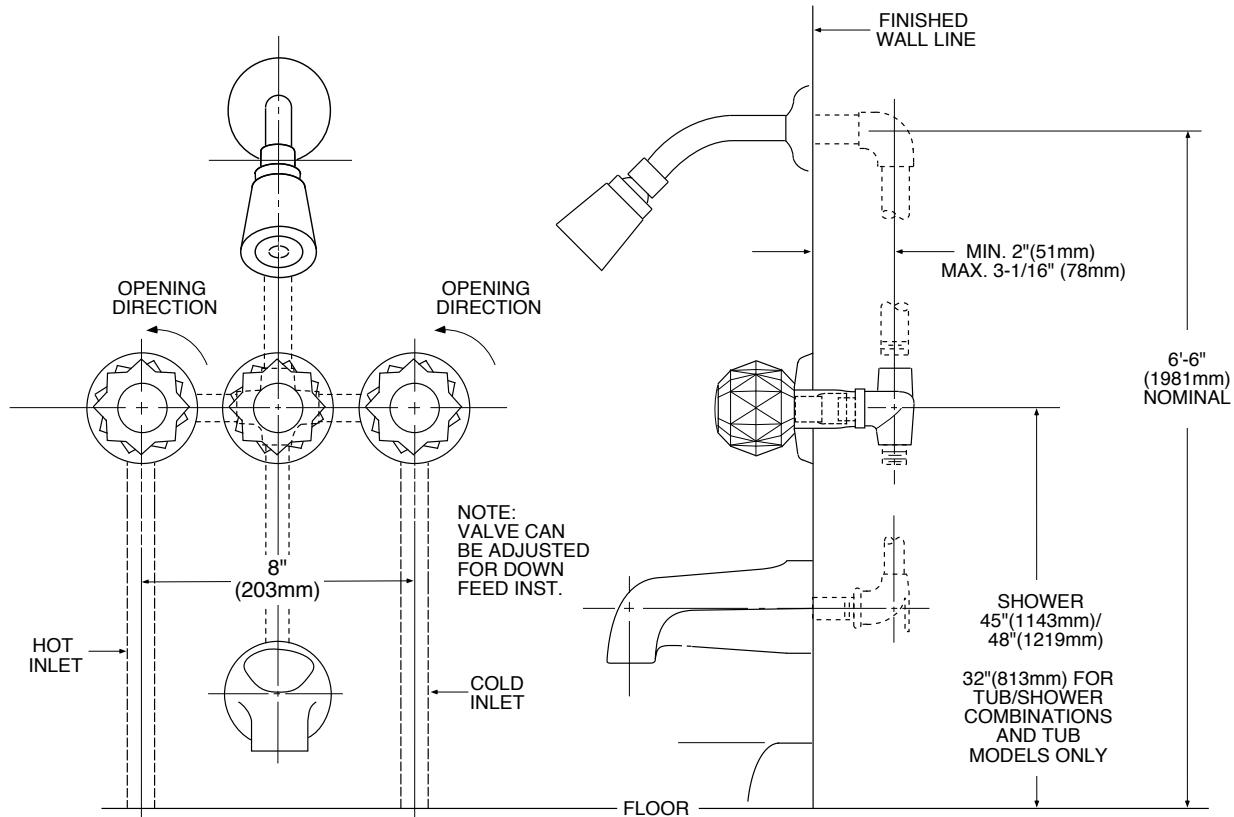
WARRANTY

- Lifetime limited warranty against leaks, drips and finish defects to the original consumer purchaser
- 5 year warranty if used in commercial installations



CHATEAU® Three-Handle Tub/Shower Valve

Model: 2995



CRITICAL DIMENSIONS

(DO NOT SCALE)