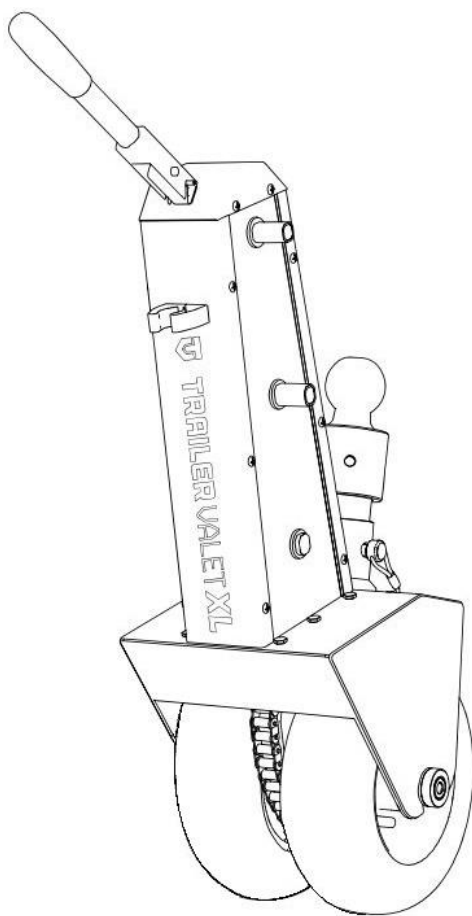


# TRAILER VALET



## *XL Operating Manual*

*The Most Advanced Trailer Dolly On The Planet*

---

# Operating Manual

## WARNING

Carefully read and understand all the instructions before connecting your new Trailer Valet.

Failure to follow these guidelines may result in serious injury to persons and property for which Trailer Valet will not be held liable. Do not allow persons to operate or assemble this trailer dolly until they have read this manual and have developed a thorough understanding of how the trailer dolly works.

## SAVE THESE INSTRUCTIONS

### Table of Contents

SPECIFICATIONS .....	2
WARNINGS .....	3
OVERVIEW .....	4
ASSEMBLY .....	5
OPERATING INSTRUCTIONS .....	7
WARRANTY .....	9
MAINTENANCE .....	10

---

## Thank You For Your Purchase!

Congratulations on your purchase of the Trailer Valet. For your future reference please complete the owner's record below:

Purchase Date: \_\_\_\_\_ Order No.: \_\_\_\_\_

Retailer: \_\_\_\_\_

Be sure to save your receipt and owner's manual with warranty information in a safe place.

---

## Specifications

The Trailer Valet is made of high strength steel and given a powder coat finish made to resist corrosion from the elements and marine use. When cared for properly, it will provide years of service. The Trailer Valet mounts to the coupler of the trailer tongue with the aid of our specially designed Ball Attachment. Once attached to your trailer, the Trailer Valet makes maneuvering your trailer much easier. Hitching, unhitching, and moving is now done with precision. The Trailer Valet XL is designed for trailers up to 10,000 lbs. The Trailer Valet is for use only on paved surfaces or compacted gravel and soils that are free of debris.

Wheel size: 9.25 inches

Tongue max weight: 1,000 lbs.

Trailer max weight: 10,000 lbs.

Weight: 55 lbs.

Maximum dimensions: 29" H x 13" L x 7.5"

**Visit our website to see a video on the features that make the Trailer Valet a trailer dolly like no other!**

Phone: (844) 846-9344

Email: [support@trailervalet.com](mailto:support@trailervalet.com)

Office: 2368 Peck Rd., City of Industry, CA 90601

---

# Warnings

- DO NOT use the Trailer Valet on slopes and inclines beyond stated limits.
- DO NOT attempt to use the Trailer Valet to pull up (nose first) or to push down (rear first) an incline. Always move along an incline with the unit on the lower end of the incline.
- DO NOT submerge the Trailer Valet in water (salt or fresh) or leave it in water for prolonged periods, since this can damage the gears and erode lubricants.
- DO NOT use your drill on the Trailer Valet's high gear.
- Carefully read all instructions. The operator of the Trailer Valet must exercise common sense, caution, and full judgment when assessing situations not covered or cautioned in this manual.
- The Trailer Valet is designed for specific applications only. Trailer Valet will not be responsible for issues arising from modifications made onto the device. Do not modify the device or use the device for any application other than its intended purpose. Do not exceed the designated weight limits.
- Stay alert! Do not operate if you are tired. Do not operate the device while under the influence of drugs or alcohol. Read prescription warning labels to determine if the use of prescription drugs may impair your ability to operate the device.
- As with all devices with moving parts, do not wear excessively loose clothing as it may become caught, resulting in injury. Tie back and secure long hair.
- Have a second person guide your trailer's movements while using the Trailer Valet to avoid property damage, especially in narrow or poorly visible areas.
- Operator and bystanders should never place any part of the body under or in the path of any portion of this product or the load being supported or moved.
- This product must be installed and used in strict accordance with these instructions.
- Always remember to set the brakes before leaving or if you are having trouble maintaining control of the trailer.
- Always read and understand your drill/driver operator's manual and instructions.
- Before each use of the Trailer Valet, check for damaged parts. Carefully inspect the device for any part that appears to be damaged to determine if the device will operate properly. Check for alignment and secure mounting of all moving parts. If the device is neither aligned, secured, or both: DO NOT use the device.
- When servicing, use only factory replacement parts.
- This product is not intended to be used as a transport device for the implement it is attached to.
- Have wheel blocks in place before/after use and ready in case of emergency.
- Never exceed the maximum rated capacity. Refer to the operating manual or decals on the product to obtain rated capacity. If uncertain, contact Customer Support at (844) 846-9344 or email: [support@trailer valet.com](mailto:support@trailer valet.com).
- The Trailer Valet is designed for vertical loading. Excessive side forces may cause failure and must be avoided.
- The use of gloves is recommended while attaching the device to the trailer.
- The Trailer Valet is designed for use on solid surfaces. DO NOT use the product on excessively soft surfaces or muddy terrain as the device will not be able to gain traction. If there is no traction despite being on a solid surface, consider shifting more of the weight of your trailer forward.

# Overview

Upon removing items from packaging, it is very important to thoroughly inspect all parts of the system before using the device. Any part that is missing or damaged must be immediately replaced. Contact Trailer Valet Customer Service at 1-844-846-9344 or Support@TrailerValet.com

## What's in the Box:

### A. The Trailer Valet

1. Axle Yoke Compartment
2. Rotating Coupler
3. Brake Cap
4. Drive/Crank Handle
5. Steering/Brake Handle
6. Side Plates
7. Gear Covers
8. Low Gear Driveshaft
9. High Gear Driveshaft
10. Axle Screw Assembly
11. Rims and Tires
12. Tire Axle
13. Gear Chains
14. Easy-Grip Handle
15. Brake Handle Clip

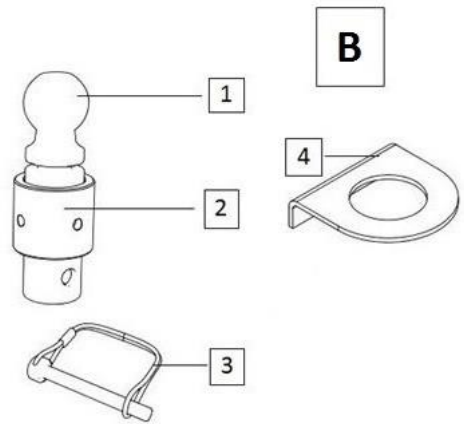
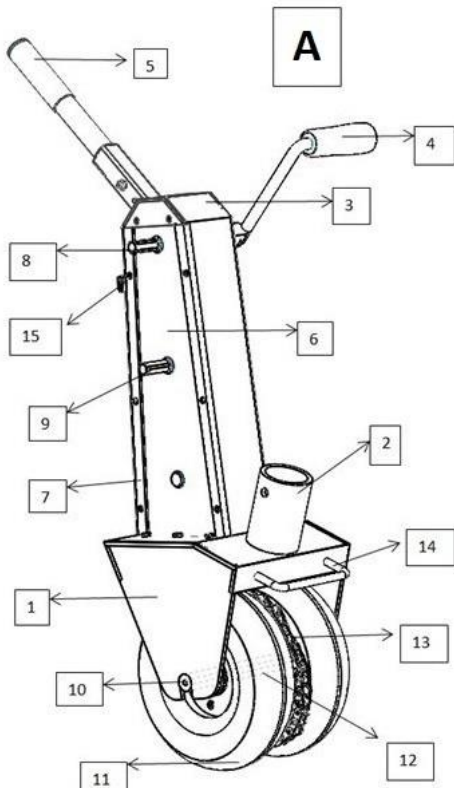
### B. Ball Attachment

1. Hitch Ball
2. Locking Nut and Base
3. Rotation/Security Pin
4. Coupling Plate

### D. Cleaning cloth

### E. Drill Adapter

### F. Tightening Tool



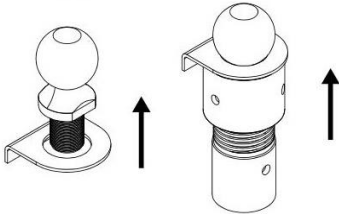
### Items sold separately:

Standard cordless Drill/Driver  
(18V-24V, 1/2" chuck recommended)

# Assembly

## Step 1: SETUP

Remove all the items from the box. If the Coupling Plate is not already installed with the Ball Base, detach the ball from the Locking Nut, slip the Coupling Plate under the ball, and reinsert into the Locking Nut. Secure tightly.



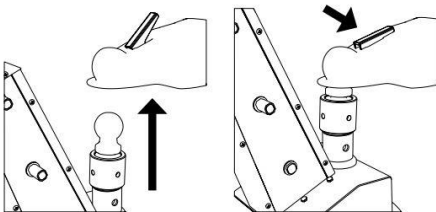
## Step 2: ADJUSTING THE TRAILER HEIGHT

Raise the trailer tongue to where the coupler is about 14 inches off the ground (the same height of the ball when the Trailer Valet is upright).

## Step 3: ATTACHING THE BALL TO COUPLER

**WARNING!** The Steering Handle must be secured to the safety clip to ensure the brake is engaged at all times.

- 1) Slide the Trailer Valet directly under the coupler.
- 2) Slip the ball into the coupler and lock the ball with the coupler latch.



**NOTE:** Similar to attaching the trailer to your hitch, you may need to adjust the position of the ball for it to lock tightly to the coupler.

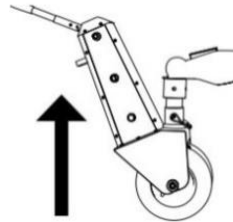
## ALTERNATIVE METHOD FOR INSTALLING THE BALL ATTACHMENT:

**NOTE:** This method is recommended for heavier trailers and users who have difficulty securing the ball tightly into the coupler.

I. Before installing the Ball Attachment into the Rotating Coupler of the XL, put the ball into the trailer coupler and lock the ball with the coupler latch.

II. Using the Tightening Tool, turn the Locking Nut counter clockwise until the nut is secured flat against the coupler.

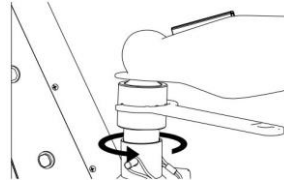
III. Lower the trailer with the Ball Attachment into the Trailer Valet XL and secure using the Rotating Pin.



3) Raise the trailer slightly so that the device hangs from the coupler and the wheels on the Trailer Valet are above ground. This will enable you to tighten the Locking Nut.

4) Using the Tightening Tool, turn the Locking Nut counter clockwise until the nut is secured flat against the coupler.

**WARNING!** Failure to tighten the Locking Nut against the coupler may cause the ball to slip out of the coupler.



**NOTE:** To ensure that the Locking Nut is securely fastened to the coupler, rock the device in all directions and continue tightening until there is no movement by the device and the Locking Nut remains flat against the coupler.

# Operating Instructions

Knowing the proper techniques to operate your Trailer Valet can help keep you and others around you safe. In this guide, you are shown the basic fundamentals for effective operations. However, it is up to you to analyze the situation and make the decisions necessary for the proper use of your Trailer Valet. Apply your knowledge of your Trailer Valet and the basic fundamentals you have practiced to adjust your techniques to each unique situation.

## Step 4: TESTING THE ASSEMBLY

**WARNING!** Always ensure the operator and bystanders are aware of load stability.

1) Lower the trailer gradually until the existing jack is above the ground and the trailer is completely supported by the Trailer Valet.

**NOTE:** Keeping the trailer jack close to the ground prevents serious damages from occurring due to unexpected failures.

Videos are available on the Trailer Valet website if you need a visual guide to install or use your Trailer Valet.

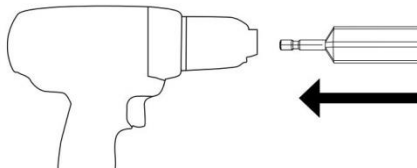
## Step 5: ATTACHING DRIVER

Option 1: Manual Operation with the Drive Handle

1) Attach the Drive Handle to the low or high gear Driveshaft.

Option 2: Using the Drill Adapter

- 1) Using the chuck of your drill/driver, connect to the Drill Adapter
- 2) Secure the chuck of your drill around the Drill Adapter tightly to avoid the Adapter slipping off the drill.
- 3) Align and insert the Drill Adapter to the low gear Driveshaft.



**NOTE:** If you are using a cordless drill, be sure your battery pack is fully charged before use. Follow your drill/driver manufacturer's recommendation.

**WARNING!** DO NOT use your drill on the high gear.

Visit our website to see a video on how to use your drill attachment to move your Trailer Valet.

## Step 6: OPERATING THE DEVICE

**NOTE:** If your trailer has built-in brakes, they must be disengaged prior to operation of the Trailer Valet. Consult your trailer manufacturer's manual/instructions on temporary brake release. If this is not available to you, please contact Trailer Valet Customer Support through phone or email for assistance.

1) When you're getting ready to operate the device, make sure you have one hand firmly gripped on the brake, and the other hand firmly gripped on the drill/driver.

2) Slowly lift the Steering Handle until the brake is disengaged and begin cranking. The Steering Handle must be held up firmly at all times when moving the trailer.

**NOTE:** Hold the drill/driver firmly when engaging. The drill will have high initial torque if the drill trigger is pulled rather than squeezed. Begin to move the trailer as slowly as you are capable and carefully increase the power up to an appropriate speed when using the Drill Attachment.

**NOTE:** It is important that you steer the device only when you are cranking and the trailer is moving. Attempting to turn the Steering/Brake Handle at a dead stop will place excessive stress on a single tire.

**NOTE:** When attempting to make sharp turns (E.G. 90° rotation) from a stationary position, crank the Trailer Valet back and forth while turning until the unit is in the desired position. Then, proceed to make the turn.

**WARNING:** DO NOT use the Trailer Valet on slopes and inclines exceeding a strict maximum of 10 degrees on a paved/concrete surface. This rating is subject to factors including, but not limited to, alternate surfaces, weight distribution, change in weight capacity, and use on multi-axle trailers. DO NOT pull up or push down an incline. The unit must always be on the lower end of any incline. If you have any questions concerning the use of your Trailer Valet on a slope or incline, please contact us at (844) 846-9344 or email us at: [support@trailervalet.com](mailto:support@trailervalet.com)

**NOTE:** Use of power drill is inadvisable for movement upon any incline.

## Step 7: REMOVING THE DEVICE

1) Remove the drill/drive handle.

2) Lower the jack until the Trailer Valet is above the ground.

3) To detach the Telescoping Arm, remove the Security Pins from the Jack Clamp and the Base Bracket. The Jack Clamp can optionally be left secured to the jack for future use.

4) Loosen the Locking Nut and release the latch on the coupler.

Visit our website to see a video on how to detach your Trailer Valet.



# Limited Manufacturer's Warranty

SuperTech S Corp warrants for one year from the purchase date that the product will be in working condition and will be free from manufacturing defects, provided that installation and use of the product is in accordance with product instructions. This warranty is only made to the original consumer purchaser and is non-transferable.

ALL OTHER WARRANTIES IMPLIED OR EXPRESSED ARE HEREBY DISCLAIMED.

## **This warranty does not cover:**

1. Normal wear and tear or normal aging of the product;
2. Consumable parts designed to diminish over time, unless failure occurred due to a manufacturing defect;
3. Cosmetic damage, including but not limited to scratches and dents;
4. Damage through accident, abuse, neglect, misuse, natural events, or other external causes;
5. Damage through misapplication, overloading, or improper installation;
6. Damage due to improper maintenance and repair; and/or
7. Product alterations.

## **Limitation of Liability:**

EXCEPT AS PROVIDED IN THIS WARRANTY AND TO THE MAXIMUM EXTENT PERMITTED BY LAW, SUPERTECH IS NOT RESPONSIBLE FOR ANY DIRECT, INCIDENTAL, CONSEQUENTIAL DAMAGES, OR INJURIES RESULTING FROM ANY BREACH OF WARRANTY OR CONDITION; INCLUDING, BUT NOT LIMITED TO, LOSS OF USE, LOSS OF REVENUE, LOSS OF ACTUAL OR ANTICIPATED PROFITS, LOSS OF BUSINESS, LOSS OF OPPORTUNITY, LOSS OF GOOD WILL, LOSS OF REPUTATION, OR ANY DIRECT, INDIRECT, OR CONSEQUENTIAL LOSS OR DAMAGE WHATSOEVER CAUSED, INCLUDING THE REPLACEMENT OF EQUIPMENT AND PROPERTY.

## **Customer Responsibilities:**

Customers may be required to provide proof of purchase date, respond to questions designed to assist with diagnosing potential issues, and follow Trailer Valet's directions to make a claim on your warranty.

## **To make a warranty claim:**

Contact us either through:

1. phone: (844) 846-9344
2. email: [support@trailervalet.com](mailto:support@trailervalet.com)
3. office: 2368 Peck Rd., City of Industry, CA 90601

**TRAILER VALET SHALL HAVE THE EXCLUSIVE RIGHT TO DETERMINE IF A UNIT IS COVERED UNDER ITS LIMITED MANUFACTURER'S WARRANTY.**

## **Severability:**

The invalidity, illegality, or unenforceability of any provision of this warranty shall not render the other provisions invalid, illegal, or unenforceable.

## **Governing Law and Jurisdiction**

This warranty shall be governed by the laws of the State of California. The courts of California shall have the exclusive right to adjudicate any disputes arising under or in connection to this warranty.

# Maintenance

Check	Before First Use	Before Each Use	Every 90 Days
Take the time to read and understand these operating instructions in order to understand your Trailer Valet and its operations.	✘		
Read and understand your drill/driver operator's manual and instructions.	✘		
Inspect the Trailer Valet for damage. Replace any damaged parts immediately. If a part must be replaced, contact Trailer Valet Customer Service.	✘	✘	
If you plan to keep the device attached to the trailer after each use, you must check the Locking Nut to ensure it stays fastened tightly against the trailer tongue and that the nut is flat against the coupler.		✘	
Keep the device free from contaminants. Remove any dirt and debris from moving parts.		✘	
Apply multipurpose grease to the chain by removing the front cover of the device.			✘
Apply multipurpose grease to the gear bushings.			✘

## Additional Tips:

- The Trailer Valet is made of high strength steel and given a powder coat finish made to resist corrosion. However, if the device is used in a marine environment or where road salt is encountered, rinse off the interior and exterior with fresh water and allow to dry. **DO NOT SUBMERGE THE TRAILER VALET** as this can damage the gears and erode lubricants.
- After each use, wipe exterior surfaces with a clean cloth.



---

Copyright 2017 by Supertech S. Corporation. All right reserved. No portion of this manual or any artwork contained herein may be reproduced in any shape or form without the express written consent of Supertech S. Corporation.



**TRAILER VALET**

For further information or if you have any questions, please contact:

SUPERTECH S. CORP.  
2368 Peck Road  
Industry, CA 90601  
Customer Service: (844) 846-9344  
Email: [support@trailervalet.com](mailto:support@trailervalet.com)  
Or visit: [www.trailervalet.com](http://www.trailervalet.com)

---