

PREPARATION

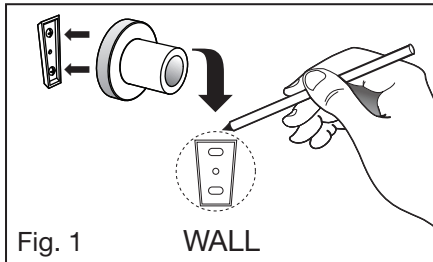
Tools Required for Assembly: (Not included)

- Pencil
- Philips head screwdriver
- Safety Glasses
- Electrical drill with 9/32in. drill bit
- Tape measure
- Hack saw
- Hammer
- Level

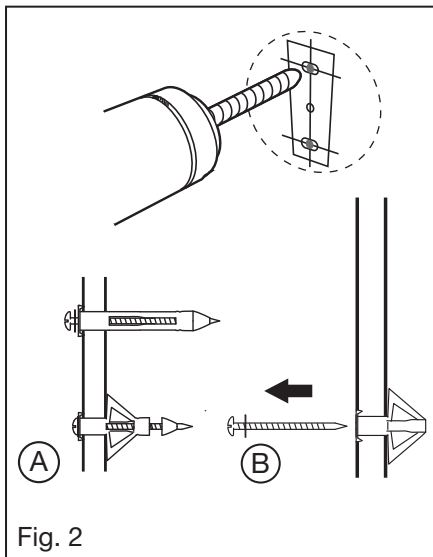
CAUTION : Drywall anchors are for drywalls only. Use tile anchors for tile surfaces. (Not included)

INSTALLATION INSTRUCTIONS

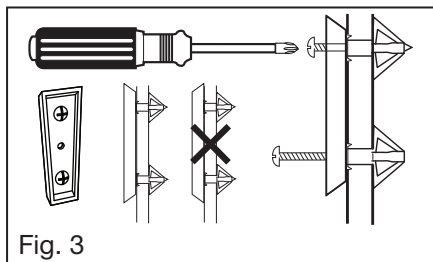
- Use back plate as an outline to mark desired position on wall and location of mounting screw holes.



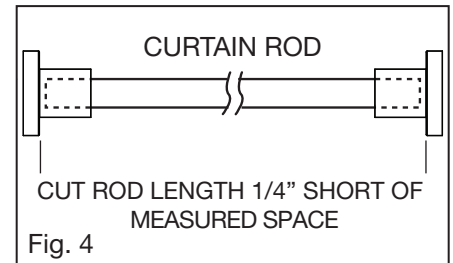
- Drill 9/32 in. pilot holes into the wall where the molly bolts will be inserted using an electrical drill. Tap molly bolts into the pilot holes using a hammer. Use an electrical screwdriver to tighten the screws. This will collapse the molly bolts tightly to the wall. Unscrew the screws from the molly bolts. Molly bolts will remain in the wall. (Fig. 3)



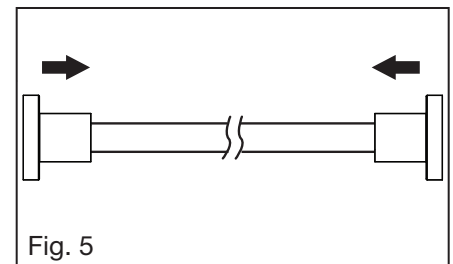
- Fasten mounting bracket to wall with mounting screws. (Fig. 3)



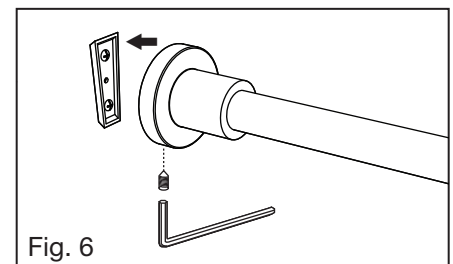
- Using hack saw, cut shower rod to desired length (if necessary). (Fig. 4)



- Assemble shower rod by pushing end base into rod. (Fig. 5)



- Slide assembled shower rod over bracket and tighten set screw. (Fig. 6)



CARE AND MAINTENANCE

To maintain the beautiful luster finish, please use soft damp cloths when cleaning and never use any cleaning solvents.