

Product HOME-FLEX Underground® Coupler Fitting, 1/2" - 2" IPS

Project Information

Job Name: _____
Location: _____
Engineer: _____
Contractor: _____

Date Submitted: _____
Submitted by: _____
Approved by: _____
Manufacturer's Rep: _____

Installation

Must be installed in accordance with the HOME-FLEX Underground® Installation Practices and Guidelines and in accordance with local codes.

Application Information

Gas compression fittings for use in Natural Gas and Liquefied Petroleum (Propane) Gas applications with Polyethylene (PE) gas pipelines.



Technical Data

Materials

Nut and Main Body	Polypropylene
O-Ring	Nitrile
Spacer	Nylon
Grip Ring	Acetal
Stiffener	Acetal



Pressure Ratings

Max Operating Pressure 125 PSIG

Temperature Ratings

Operating Temperature Range -20°F - 180°F

Codes

Uniform Plumbing Code (UPC), International Fuel Gas Code (IFGC)

Standards

ASTM F1924-12 (Category 1 fittings)

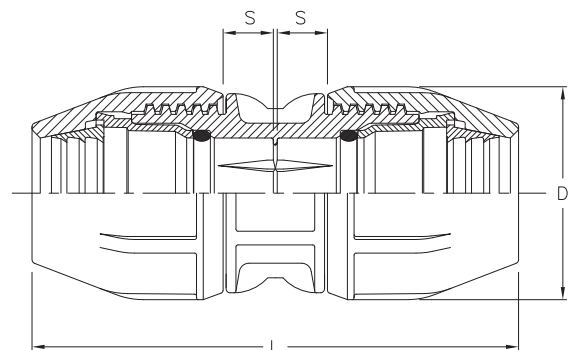
Listings

IAPMO 10218

Made in Australia

Dimensional Information

	Size (IPS)	Part Number	Dimensions (in)			Weight (lbs)
			S	D	L	
	1/2" SDR 9.3	18-429-005	0.39	1.81	4.37	0.18
	3/4" SDR 11	18-429-007	0.43	2.13	4.69	0.29
	1" SDR 11	18-429-010	0.55	2.68	5.75	0.46
	1-1/4" SDR 11	18-429-012	0.71	3.23	7.17	0.93
	1-1/2" SDR 11	18-429-015	0.94	3.78	8.07	1.30
	2" SDR 11	18-429-020	1.14	4.44	9.17	1.96



Product HOME-FLEX Underground® Tee Fitting, 1/2" - 2" IPS

Project Information

Job Name: _____
Location: _____
Engineer: _____
Contractor: _____

Date Submitted: _____
Submitted by: _____
Approved by: _____
Manufacturer's Rep: _____

Installation

Must be installed in accordance with the HOME-FLEX Underground® Installation Practices and Guidelines and in accordance with local codes.

Application Information

Gas compression fittings for use in Natural Gas and Liquefied Petroleum (Propane) Gas applications with Polyethylene (PE) gas pipelines.

Technical Data

Materials

Nut and Main Body Polypropylene
O-Ring Nitrile
Spacer Nylon
Grip Ring Acetal
Stiffener Acetal

Pressure Ratings

Max Operating Pressure 125 PSIG

Temperature Ratings

Operating Temperature Range -20°F - 180°F

Codes

Uniform Plumbing Code (UPC), International Fuel Gas Code (IFGC)

Standards

ASTM F1924-12 (Category 1 fittings)

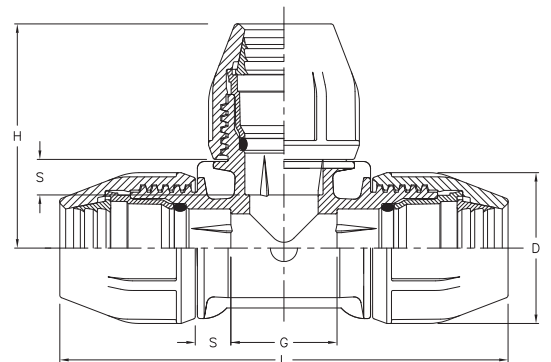
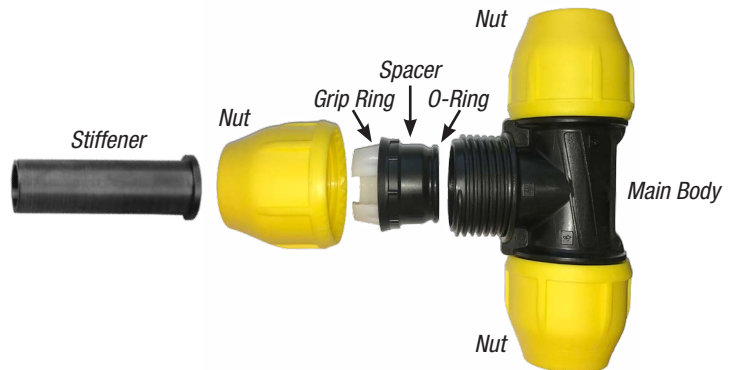
Listings

IAPMO 10218

Made in Australia

Dimensional Information

	Size (IPS)	Part Number	Dimensions (in)					Weight (lbs)
			S	D	H	G	L	
	1/2" SDR 9.3	18-401-005	0.47	1.81	2.76	1.10	5.51	0.29
	3/4" SDR 11	18-401-007	0.51	2.13	3.19	1.54	6.34	0.49
	1" SDR 11	18-401-010	0.63	2.68	3.78	1.69	7.44	0.86
	1-1/4" SDR 11	18-401-012	0.79	3.23	4.41	1.89	8.78	1.46
	1-1/2" SDR 11	18-401-015	0.83	3.78	4.88	2.17	9.65	2.16
	2" SDR 11	18-401-020	0.94	4.45	5.59	2.72	11.1	3.33



Product HOME-FLEX Underground® 90° Elbow Fitting, 1/2" - 2" IPS

Project Information

Job Name: _____
Location: _____
Engineer: _____
Contractor: _____

Date Submitted: _____
Submitted by: _____
Approved by: _____
Manufacturer's Rep: _____

Installation

Must be installed in accordance with the HOME-FLEX Underground® Installation Practices and Guidelines and in accordance with local codes.

Application Information

Gas compression fittings for use in Natural Gas and Liquefied Petroleum (Propane) Gas applications with Polyethylene (PE) gas pipelines.

Technical Data

Materials

Nut and Main Body Polypropylene
O-Ring Nitrile
Spacer Nylon
Grip Ring Acetal
Stiffener Acetal

Pressure Ratings

Max Operating Pressure 125 PSIG

Temperature Ratings

Operating Temperature Range -20°F - 180°F

Codes

Uniform Plumbing Code (UPC), International Fuel Gas Code (IFGC)

Standards

ASTM F1924-12 (Category 1 fittings)

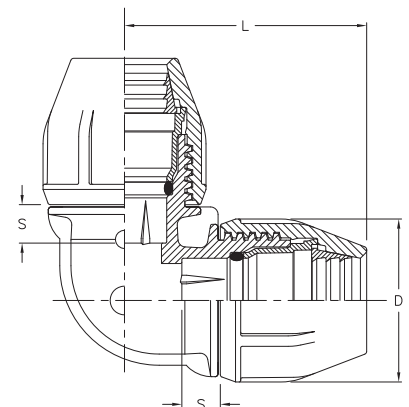
Listings

IAPMO 10218

Made in Australia

Dimensional Information

	Size (IPS)	Part Number	Dimensions (in)			Weight (lbs)
			S	D	L	
	1/2" SDR 9.3	18-406-005	0.47	1.81	2.72	0.20
	3/4" SDR 11	18-406-007	0.51	2.13	3.23	0.33
	1" SDR 11	18-406-010	0.63	2.68	3.78	0.57
	1-1/4" SDR 11	18-406-012	0.79	3.23	4.41	0.99
	1-1/2" SDR 11	18-406-015	0.83	3.78	4.84	1.48
	2" SDR 11	18-406-020	0.94	4.45	5.59	2.29



Product HOME-FLEX Underground® Yellow Polyethylene Gas Pipe, 1/2" - 2" IPS

Project Information

Job Name: _____	Date Submitted: _____
Location: _____	Submitted by: _____
Engineer: _____	Approved by: _____
Contractor: _____	Manufacturer's Rep: _____

Installation

Must be installed in accordance with the HOME-FLEX Underground® Installation Practices and Guidelines and in accordance with local codes.

Application Information

For use in direct burial Natural Gas and Liquefied Petroleum (Propane) Gas applications with Polyethylene (PE) gas pipelines.

Technical Data

Materials

Polyethylene (PE 2406/2708)

Pressure Ratings

Max Operating Pressure 80 PSIG

Temperature Ratings

Operating Temperature Range -20°F - 140°F

Codes

- Uniform Plumbing Code (UPC)
- NFPA 54/ANSI Z223.1
- NFPA 58
- International Fuel Gas Code (IFGC)

Standards

- ASTM D2513
- NSF/ANSI 14 Certified

Made in USA

Dimensional Information

	Size (IPS)	Part Number	Dimensions (in)			Min Bend Radius
			Av. OD	Approx. ID	Wall Thick	
	1/2" SDR 9.3	19-0593XXX	0.840	0.640	0.090	17.00"
	3/4" SDR 11	19-0711XXX	1.050	0.860	0.095	26.25"
	1" SDR 11	19-1011XXX	1.315	1.075	0.120	32.75"
	1-1/4" SDR 11	19-1211XXX	1.660	1.358	0.151	41.50"
	1-1/2" SDR 11	19-1511XXX	1.900	1.554	0.173	47.50"
	2" SDR 11	19-2011XXX	2.375	1.943	0.216	59.40"





28305 Livingston Ave. t: (661) 257-3923
 Valencia, CA 91355 f: (661) 257-3928

HOME-FLEX, LLC
 info@homeflex.com
 homeflex.com

Product HOME-FLEX Underground® Yellow Polyethylene Gas Pipe, 1/2" - 2" IPS

Coil Dimensional Information

Size (IPS)	Length (ft)	Part Number	Approximate Coil Dimensions (in)		Weight (lbs)	
			Diameter	Height	Per Coil	Per Ft
1/2" SDR 9.3	100	19-0593100	24	7.5	9	0.09
	250	19-0593250	30	9	22.5	
	500	19-0593500	39	12	45	
3/4" SDR 11	100	19-0711100	25	7.5	12	0.12
	250	19-0711250	37	12	30	
	500	19-0711500	42	9	60	
1" SDR 11	100	19-1011100	29	7.5	19	0.19
	250	19-1011250	41	12	47.5	
	500	19-1011500	47	11	95	
1-1/4" SDR 11	100	19-1211100	32	9	31	0.31
	250	19-1211250	50	9	77.5	
	500	19-1211500	70	9	155	
1-1/2" SDR 11	100	19-1511100	41	9	40	0.4
	250	19-1511250	51	12	100	
	500	19-1511500	73	10	200	
2" SDR 11	100	19-2011100	45	7	63	0.63
	250	19-2011250	75	7	157.5	
	500	19-2011500	77	13	315	



Product HOME-FLEX Underground[®] Transition Fitting, 1/2" - 2" IPS

Project Information

Job Name: _____	Date Submitted: _____
Location: _____	Submitted by: _____
Engineer: _____	Approved by: _____
Contractor: _____	Manufacturer's Rep: _____

Installation

Must be installed in accordance with the HOME-FLEX Underground[®] Installation Practices and Guidelines and in accordance with local codes.

Application Information

For use in Natural Gas and Liquefied Petroleum (Propane) Gas applications with Polyethylene (PE) gas pipelines.

Technical Data

Materials

Male Pipe Thread Steel Gas Carrier (ASTM A53/API 5L)
 Powder Coating PPG-PCT70265
 Plain End Polyethylene Pipe (ASTM D513)



Pressure Ratings

Max Operating Pressure 80 PSIG

Temperature Ratings

Operating Temperature Range 0°F - 140°F

Codes

Uniform Plumbing Code (UPC)
 International Fuel Gas Code (IFGC)

Standards

ASTM F1973, D2513, A53/API 5L
 ANSI B1.20.1

Listings

IAPMO Listed

Dimensional Information

	Size (IPS)	Part Number	Dimensions (in)			Weight (lbs)
			L	W	H	
	1/2" SDR 9.3	18-445-005	19.5	1.0	1.0	0.6
	3/4" SDR 11	18-445-007	19.5	1.2	1.2	0.9
	1" SDR 11	18-445-010	19.5	1.6	1.6	1.14
	1-1/4" SDR 11	18-445-012	19.5	2.0	2.0	1.8
	1-1/2" SDR 11	18-445-015	19.5	2.2	2.2	2.4
	2" SDR 11	18-445-020	19.5	2.6	2.6	4.0



Product HOME-FLEX Underground[®] Anodeless Meter Riser, 3/4" - 2" IPS

Project Information

Job Name: _____
Location: _____
Engineer: _____
Contractor: _____

Date Submitted: _____
Submitted by: _____
Approved by: _____
Manufacturer's Rep: _____

Installation

Must be installed in accordance with the HOME-FLEX Underground[®] Installation Practices and Guidelines and in accordance with local codes.

Application Information

For use in Natural Gas and Liquefied Petroleum (Propane) Gas applications with Polyethylene (PE) gas pipelines.

Technical Data

Materials

Male Pipe Thread Steel Gas Carrier (ASTM A53/API 5L)
Powder Coating PPG-PCT70265
Plain End Polyethylene Pipe (ASTM D513)

Pressure Ratings

Max Operating Pressure 80 PSIG

Temperature Ratings

Operating Temperature Range 0°F - 140°F

Codes

Uniform Plumbing Code (UPC)
International Fuel Gas Code (IFGC)

Standards

ASTM F1973, D2513, A53/API 5L
ANSI B1.20.1

Listings

IAPMO Listed

Dimensional Information

	Size (IPS)	Part Number	Dimensions (in)			Weight (lbs)
			L	W	H	
	3/4" SDR 11	18-440-007	29	1.2	31	5
	1" SDR 11	18-440-010	29	1.6	31	6
	1-1/4" SDR 11	18-440-012	29	2.0	31	9
	1-1/2" SDR 11	18-440-015	29	2.2	31	14
	2" SDR 11	18-440-020	29	2.6	31	28

