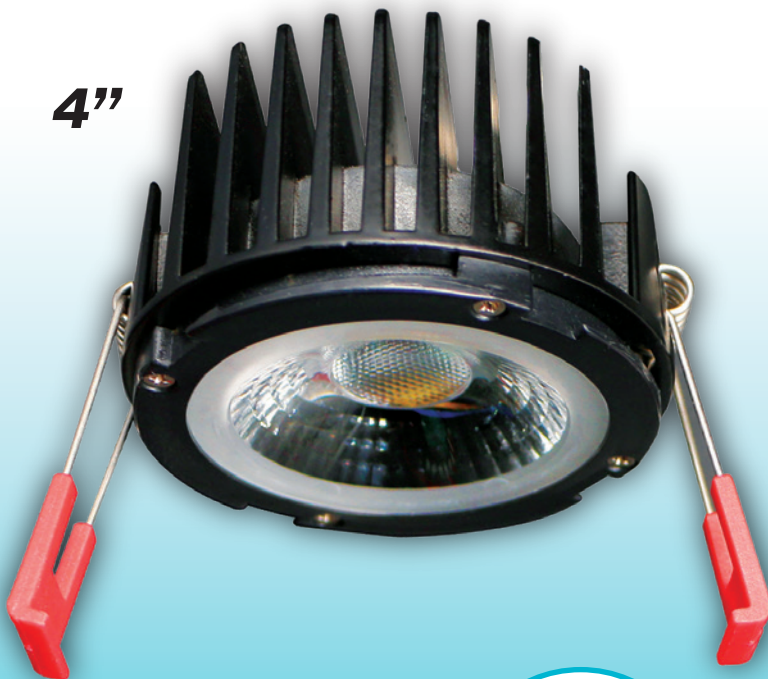


RECESSED INTERCHANGEABLE MODULE TRIM 5 CCT SELECTABLE 4"



4"

INTERCHANGEABLE TRIMS *SOLD SEPARATELY



COMPATIBLE WITH:	
LR35123 EM LED DRIVER	
LR41004 NEW CONSTRUCTION MOUNTING PLATE	



5 CCT
SWITCH

--	--	--	--	--	--	--	--	--

SPECIFICATIONS

ELECTRICAL

4"	MODEL	DESCRIPTION	POWER	INPUT VOLTS	DIMMABLE	EFFICACY (LPW)	FREQUENCY	LIFETIME
NARROW FLOOD	LR24950	LED/DLMD4/5CCT/D	15	120V	YES	73	50/60Hz	50,000
WIDE FLOOD	LR24951	LED/DLMD4/5CCT/D/WFL	15	120V	YES	73	50/60Hz	50,000

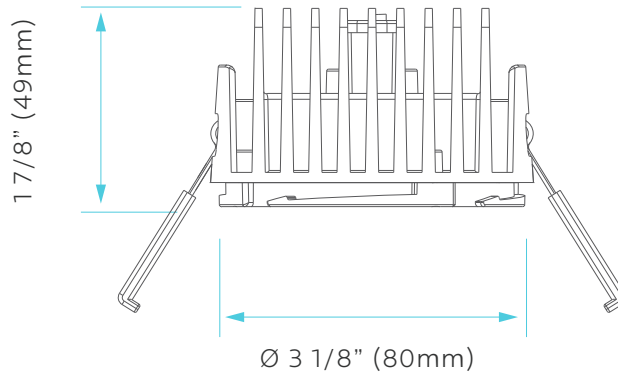
PHOTOMETRIC

MODEL	COLOR (CCT)	TEMP	LUMEN	FLOOD	CRI	COST/YR	IC RATED	WET LOCATION	ENERGY STAR	ETL LISTED
LR24950	2700K/3000K/3500K/4000K/5000K	WARM/SOFT/NATURAL/COOL/BRIGHT	1100	40°	80	\$ 1.81	YES	YES	YES	YES
LR24951	2700K/3000K/3500K/4000K/5000K	WARM/SOFT/NATURAL/COOL/BRIGHT	1100	60°	80	\$ 1.81	YES	YES	NO	YES

GENERAL

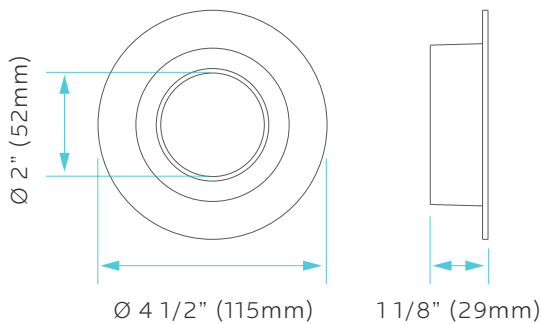
DIMENSIONS

4"MODULE

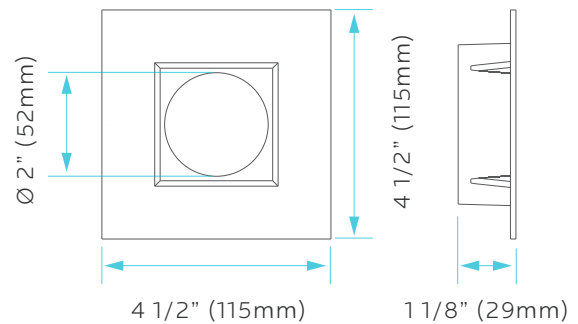


Cutting Diameter:
3.75" (95mm)

INTERCHANGEABLE TRIMS



4" ROUND TRIM



4" SQUARE TRIM

MODEL	DESCRIPTION	FINISH	MODEL	DESCRIPTION	FINISH
LR24952	LED/DLMD4/TRIM/RD/W	WHITE ROUND SMOOTH	LR24962	LED/DLMD4/TRIM/RD/BN	BRUSHED NICKEL ROUND
LR24953	LED/DLMD4/TRIM/RD/B/W	WHITE ROUND BAFFLED	LR24963	LED/DLMD4/TRIM/RD/BZ	BROZNE ROUND
LR24956	LED/DLMD4/TRIM/RD/BK	BLACK ROUND SMOOTH	LR24964	LED/DLMD4/TRIM/SQ/BN	BRUSHED NICKEL SQUARE
LR24954	LED/DLMD4/TRIM/SQ/W	WHITE SQUARE SMOOTH	LR24965	LED/DLMD4/TRIM/SQ/BZ	BROZNE SQUARE
LR24955	LED/DLMD4/TRIM/SQ/B/W	WHITE SQUARE BAFFLED	LR24967	LED/DLMD4/TRIM/RD/BK/WT	BLACK/WHITE ROUND
LR24958	LED/DLMD4/TRIM/SQ/BK	BLACK SQUARE SMOOTH	LR24968	LED/DLMD4/TRIM/SQ/BK/WT	BLACK/WHITE SQUARE