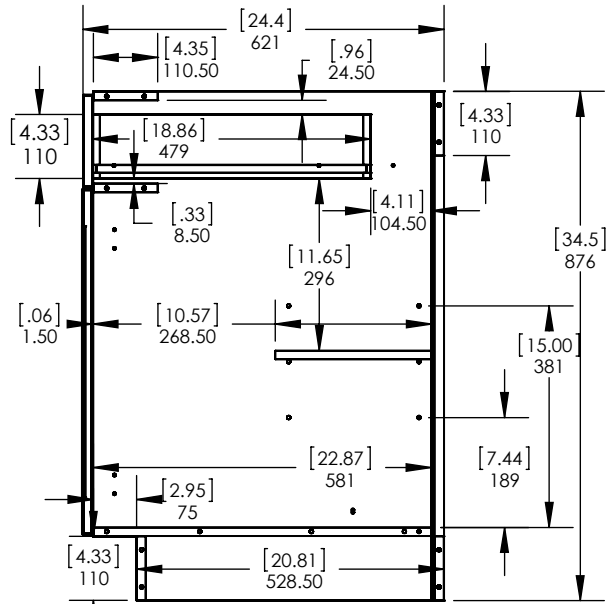
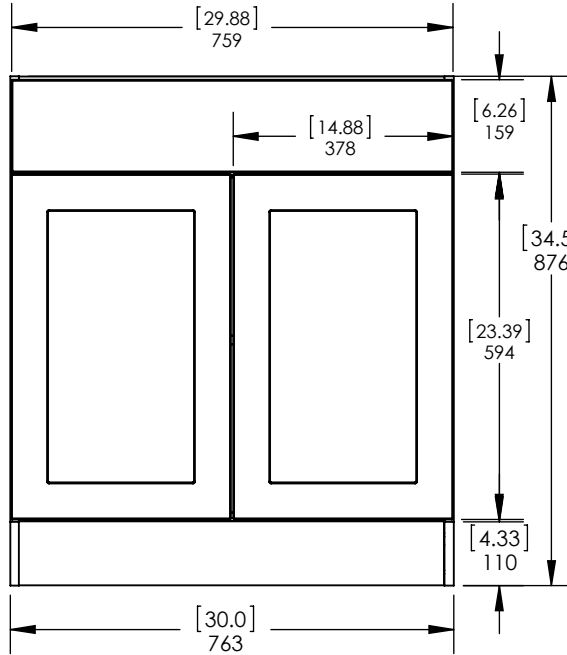


Item ID	Description
CM3035B-WH	Kitchens - Cambridge Base Cabinet with Soft Close Full Extension Drawer in White 30In W x 24.5 D x 34.5 H

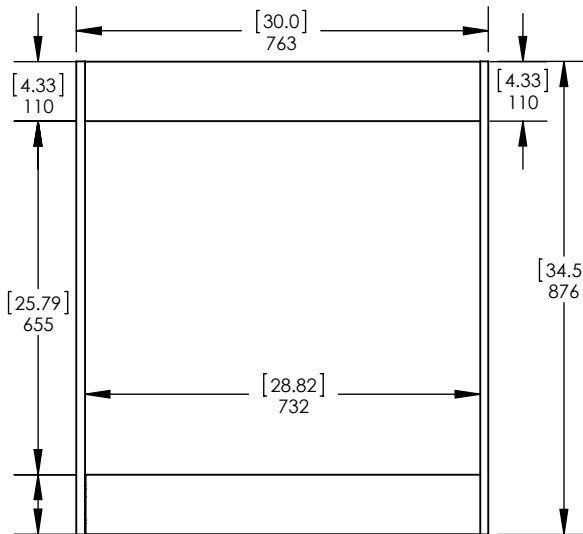
Rev	ECO #	Description	REV'D BY DATE	CHK'D BY DATE	APRV'D BY DATE
0		New Release	KISM 9/30/16	KISM 9/30/16	KISM 9/30/16
1	1773	Change of position on back lower cleat (731mm)	RR 8/30/17	RR 8/30/17	RR 8/30/17



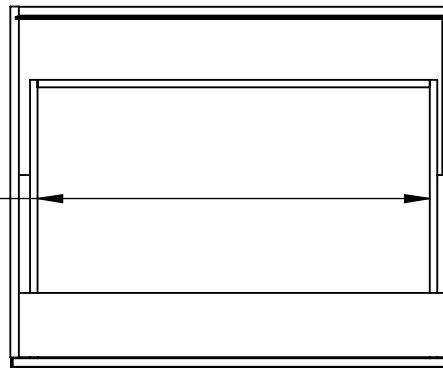
SIDE VIEW



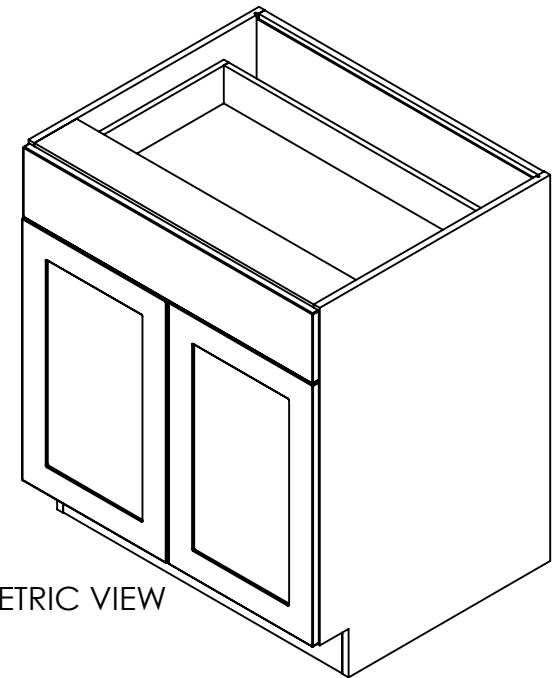
FRONT VIEW



BACK VIEW



TOP VIEW



[4.33]
110

PROPRIETARY AND CONFIDENTIAL
THE INFORMATION CONTAINED IN THIS DRAWING IS THE SOLE PROPERTY OF WOODCRAFTERS. ANY REPRODUCTION IN PART OR AS A WHOLE WITHOUT THE WRITTEN PERMISSION OF WOODCRAFTERS IS PROHIBITED.

UNLESS OTHERWISE SPECIFIED
DIMENSIONS ARE IN MM.
AND (INCHES)
TOLERANCES ARE
+ 0.039 [1] - 0.039 [-1]
SCALE:1:13

	NAME	DATE
DRAWN	Kadir S.	9/30/16
CHECKED	Victor S.	9/30/16
ENG APPR.	V. Sanchez	



SIZE DWG. NO. **A** Base_Drawer_30in

SHEET 1 OF 1
REV. **1**