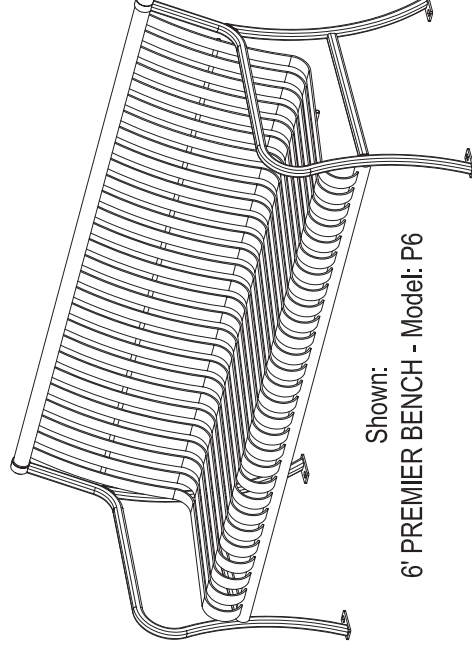
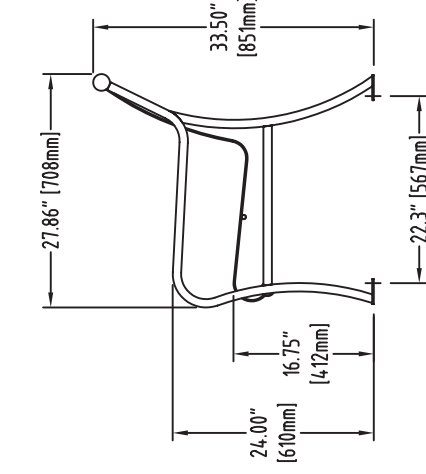
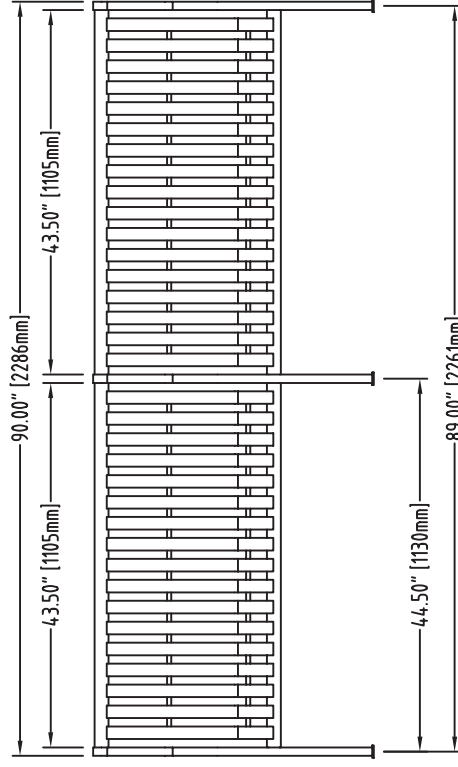
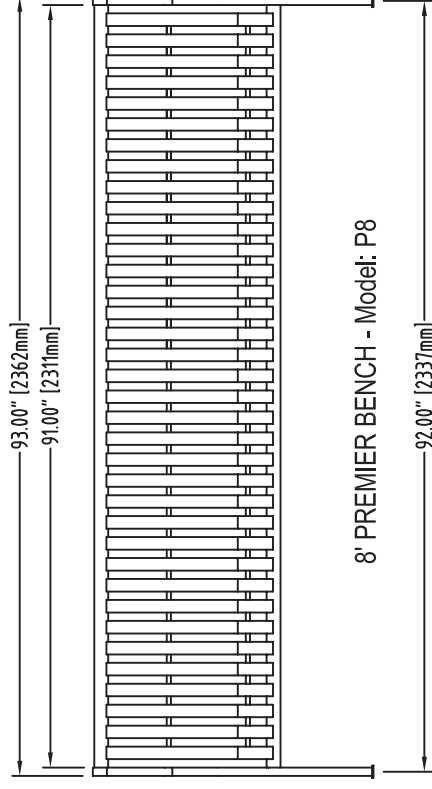
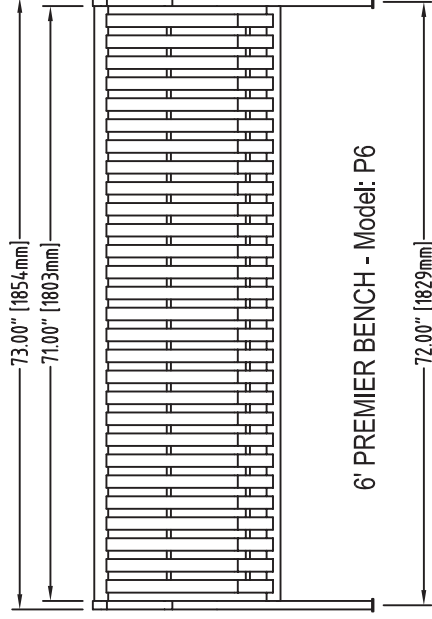
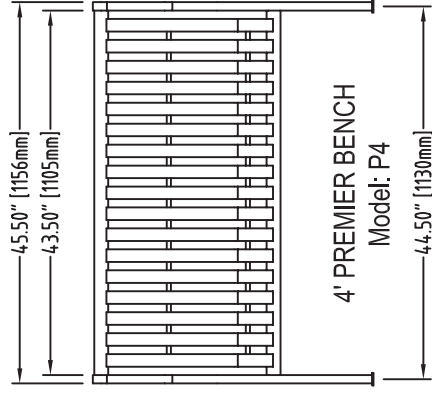


PREMIER BENCHES - Specifications

4', 6' & 8' Standard Benches - 8' Bench with Center Leg/Arm



MATERIAL SPECIFICATIONS:

- 3/16" X 1 1/2" Flat Bar
- 1/2" O.D. Steel Rod
- 1" x 1/8" Wall Square Steel Tube
- 1.66" O.D. X .10" Wall Steel Tube
- 2" O.D. Steel Rod
- 1/4" Steel Plate

FINISH:

Electrostatically applied polyester powder coating over shot blasted and zinc primer coated substrate.

HARDWARE: Premier Benches are fully Welded/Assembled. Anchoring Hardware Is Not Included.

Note: We have endeavored to insure that all product specifications listed on this drawing were correct at the time of publication. We reserve the right to improve, alter, or discontinue specifications without notice.

Rev. 13Dec07