

Galanz

Galanz Americas Limited Company Ridgefield Park, N.J. 07660

Household Refrigerator

Model: GLF11URDG16

Voltage / Frequency: 120V, 60Hz

Current: 1.9A

Light Power: 1W

Net Weight: 134.48 lbs

Prevent electricity: **I**

Foaming agent: CYCLOPENTANE

Amount of refrigerant: R600a/2.36oz

Defrost power: 200W

MADE IN CHINA

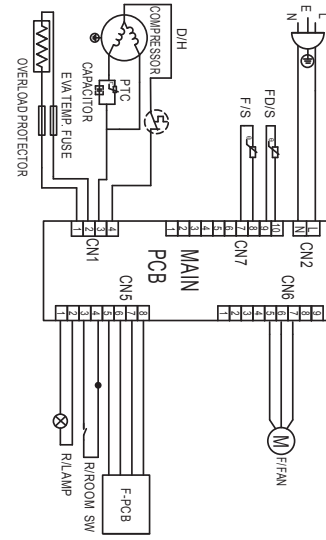
Manufactured: Jul 2020

CALL CENTER: 1-800-562-0738

FREE STANDING INSTALLATION ONLY



Serial Number:



CIRCUIT DIAGRAM