

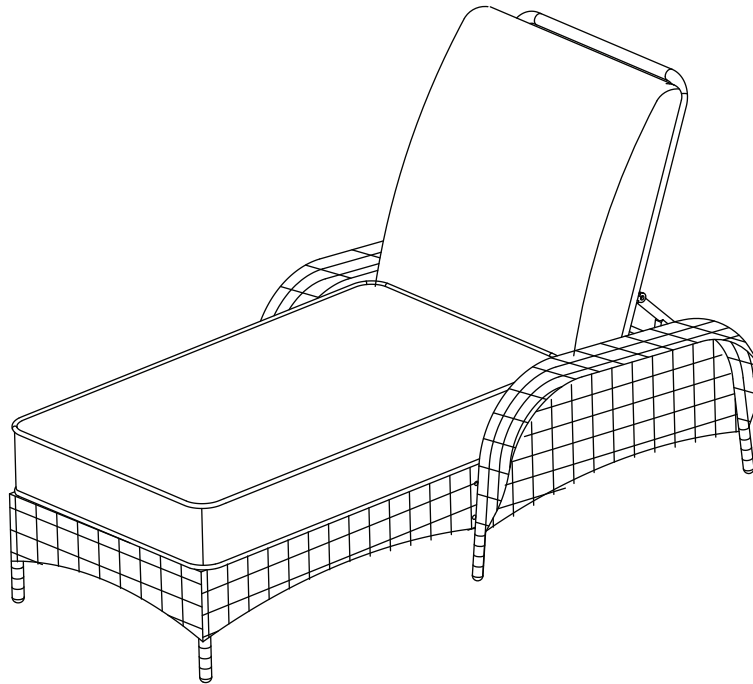
Item # 1002 554 971  
Model # FBS80022

# HAMPTON BAY®

## USE AND CARE GUIDE

---

### BEACON PARK CHAISE LOUNGE



Questions, problems, missing parts? Before returning to the store,  
call Hampton Bay Customer Service.  
8 a.m. - 7 p.m., EST, Monday - Friday, 9 a.m. - 6 p.m., EST, Saturday

**1-855-HD-HAMPTON**

**HAMPTONBAY.COM**

---

#### **THANK YOU**

*We appreciate the trust and confidence you have placed in Hampton Bay through the purchase of this chaise. We strive to continually create quality products designed to enhance your home. Visit us online to see our full line of products available for your home improvement needs. Thank you for choosing Hampton Bay!*

# Table of Contents

Table of Contents.....	2	Pre-Assembly .....	3
Important Safety Instructions .....	2	Planning Assembly .....	3
Save These Instructions .....	2	Hardware Included .....	3
Read All Instructions Before Use .....	2	Package Contents .....	4
Warranty .....	3	Assembly .....	5
What is Covered .....	3	Care and Cleaning .....	8
What is Not Covered .....	3		

## Important Safety Instructions

### SAVE THESE INSTRUCTIONS



**WARNING:** This chaise was made for the explicit purpose of providing outdoor functions and is not to be used as a toy. This product is intended for normal outdoor use; however, the manufacturer recommends storing and / or covering this chaise when any formidable / severe weather is approaching.



**WARNING:** Do not locate this product near open flames. Do not use this product as a support. Do not shake, lean or climb on the product. Children under the age of 10, near the product, should be supervised by a competent adult at all times. This product is NOT intended for commercial use and will void the warranty.

### READ ALL INSTRUCTIONS BEFORE USE

To reduce the risk of injury to persons:

1. Close supervision is necessary when this product is used by or near children, or disabled persons, if applicable.
2. Use this furnishing only for its intended use as described in these instructions. Do not use attachments not recommended by the manufacturer.
3. Do not move the chaise while the chaise is occupied. Failure to obey this caution could result in injury.
4. Do not rock in the chaise as you may fall and cause serious injury.
5. Please keep children out of the assembly area before assembly.



**WARNING:** Do not place heavy objects on the chaise.



**WARNING:** Weight limit for the chaise is 300 lbs (136.07 kg).



**WARNING:** This chaise unit is heavy, and may require two adults for safe assembly.



**CAUTION:** Do not locate the product near any heat source.

# Warranty

## 3 YEAR FRAME AND 3 YEAR FABRIC LIMITED WARRANTY

### WHAT IS COVERED

We warrant the frames to be free of manufacturing defects to the original purchaser for three years, and a three year limited warranty for the fabric.

### WHAT IS NOT COVERED

It remains the customer's responsibility for freight and packaging charges to and from our service center. This warranty does not cover commercial use, hardware, acts of nature, fire, freezing and abusive use. In addition, purchased parts are not covered under this warranty. We reserve the right to make substitutions with similar merchandise, if the model in question is no longer in production.

Contact the Customer Service Team at 1-855-HD-HAMPTON or visit [www.Hamptonbay.com](http://www.Hamptonbay.com)

# Pre-Assembly

## PLANNING ASSEMBLY

Read all instructions before assembly.

To avoid damaging this product, assemble it on a soft, non-abrasive surface such as carpet or cardboard.



**NOTE:** More than one person may be required to assemble this product.

## HARDWARE INCLUDED



**NOTE:** Hardware not shown to actual size.



AA



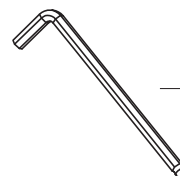
BB



CC



DD

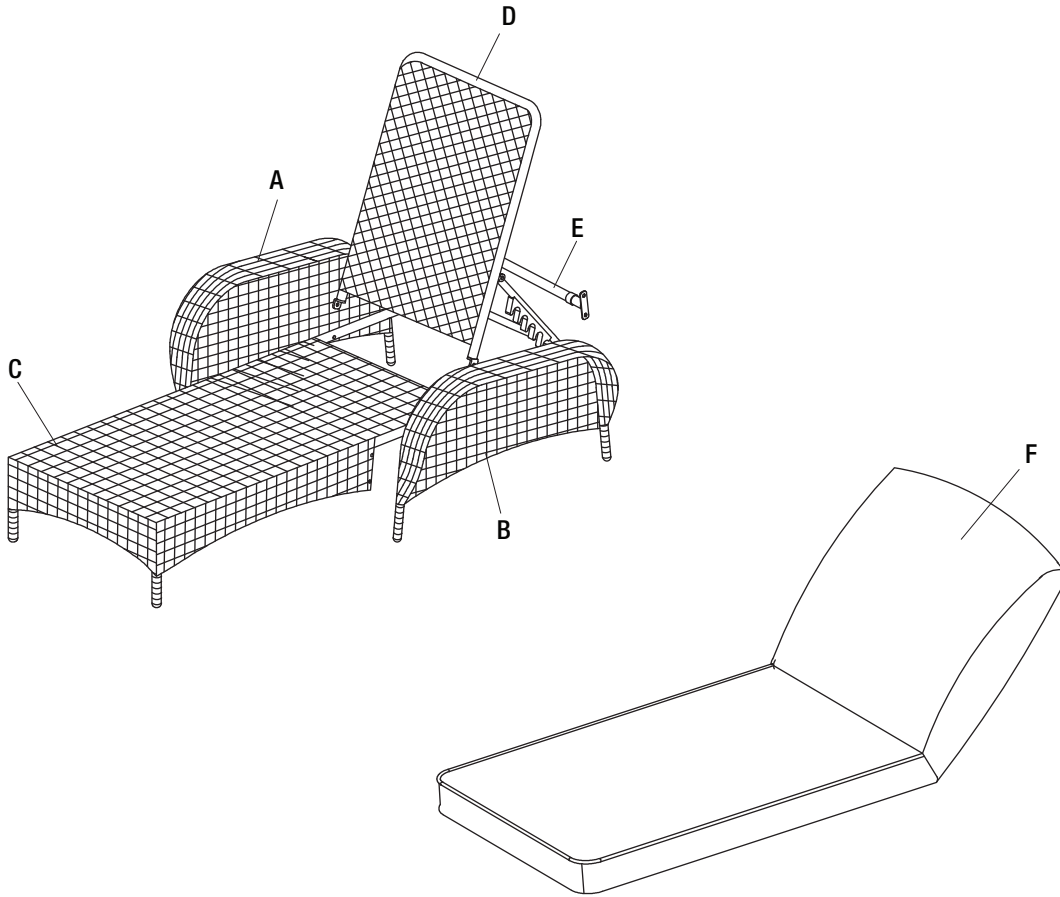


EE

Part	Description	Quantity
AA	M6x20 combination bolt	2+1
BB	M6x25 combination bolt	2+1
CC	M6x45 combination bolt	6+1
DD	Plastic washer	6
EE	Hex wrench	1

# Pre-Assembly (continued)

## PACKAGE CONTENTS

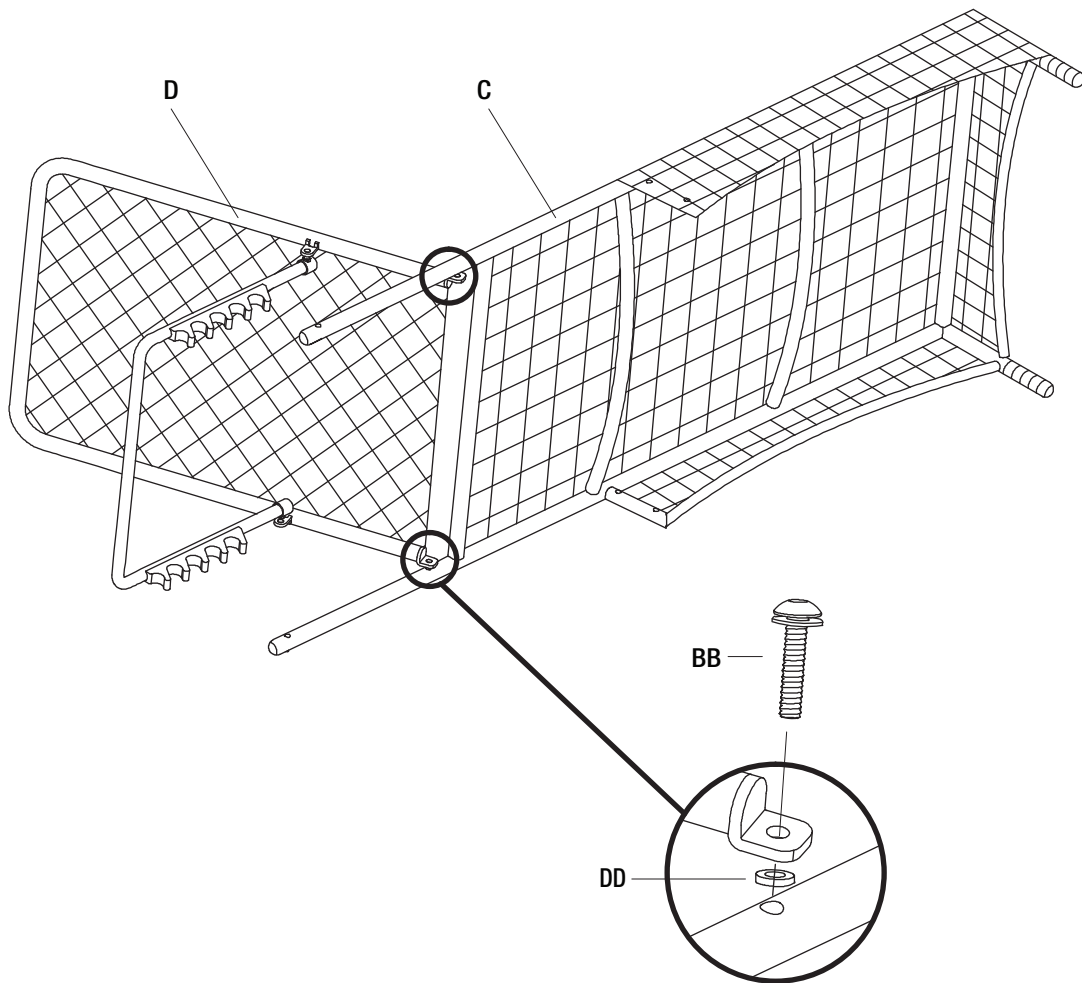


Part	Description	Quantity
A	Right arm	1
B	Left arm	1
C	Chaise seat	1
D	Chaise back	1
E	Connection bar	1
F	Cushion	1

# Assembly

## 1 CONNECTING THE CHAISE SEAT TO THE CHAISE BACK

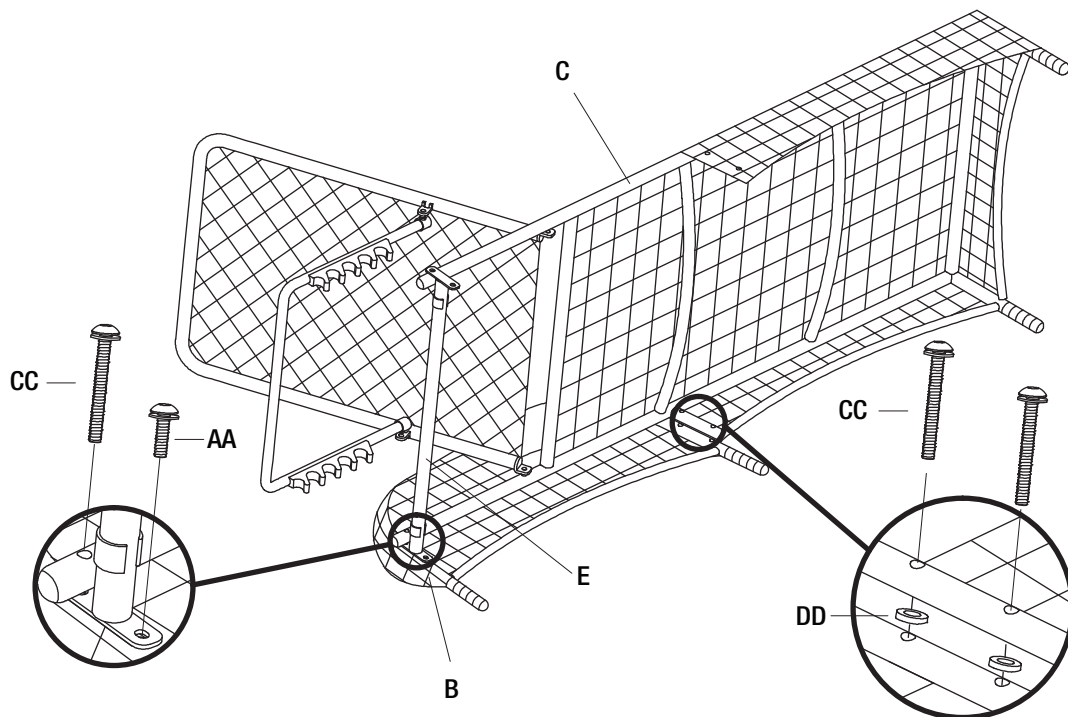
- Connect the chaise seat (C) to the chaise back (D) using M6x25 combination bolts (BB) and plastic washers (DD).
- Do not fully tighten the bolts at this step.



## Assembly (continued)

### 2 CONNECTING THE CHAISE SEAT AND THE CONNECTION BAR TO THE LEFT ARM

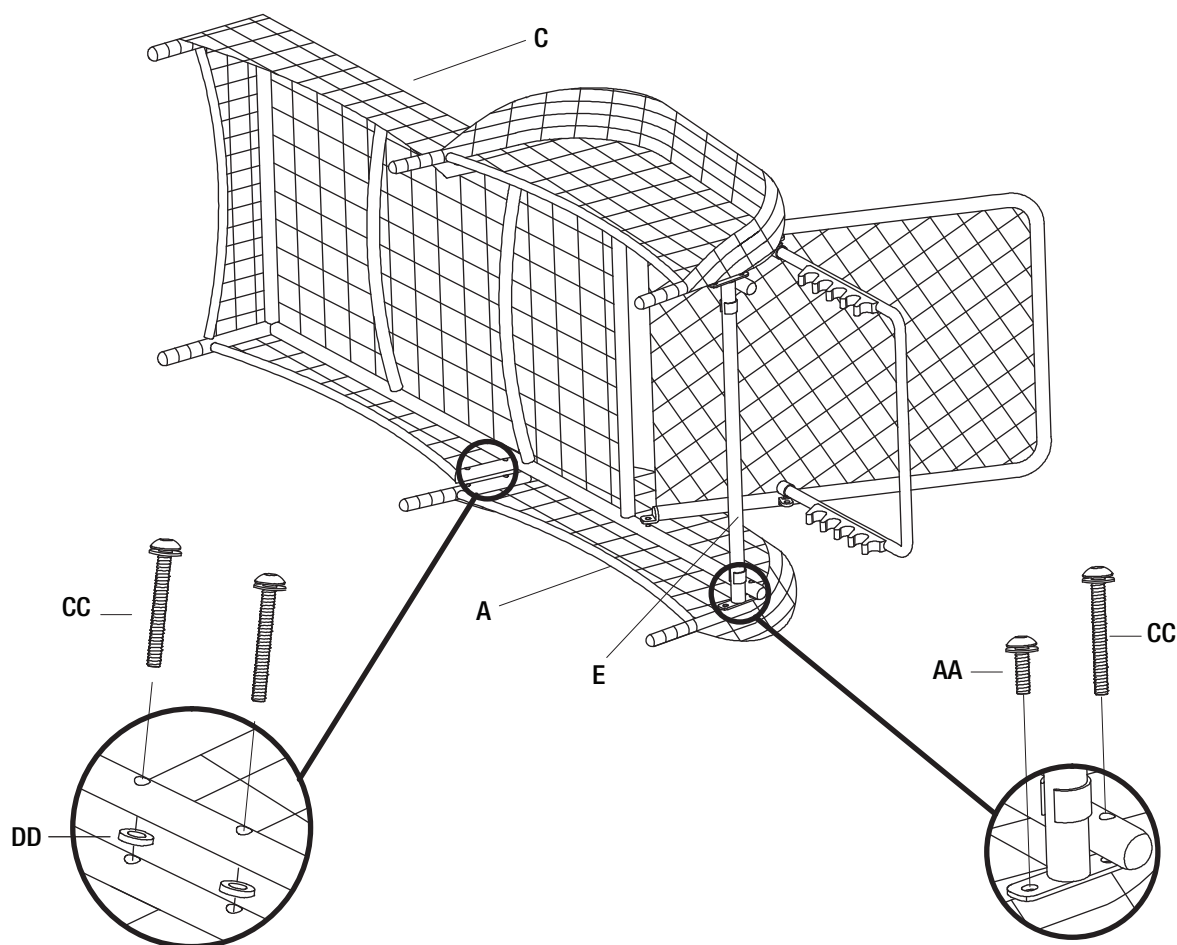
- Place the left arm (B) on a soft surface, and attach the chaise seat (C) to the left arm (B) using M6x45 combination bolts (CC) and plastic washers (DD), as shown below.
- Attach the connection bar (E) to the left arm (B) using an M6x20 combination bolt (AA) and M6x45 combination bolt (CC).
- Do not fully tighten all the bolts at this step.



## Assembly (continued)

### 3 CONNECTING THE CHAISE SEAT AND THE CONNECTION BAR TO THE RIGHT ARM

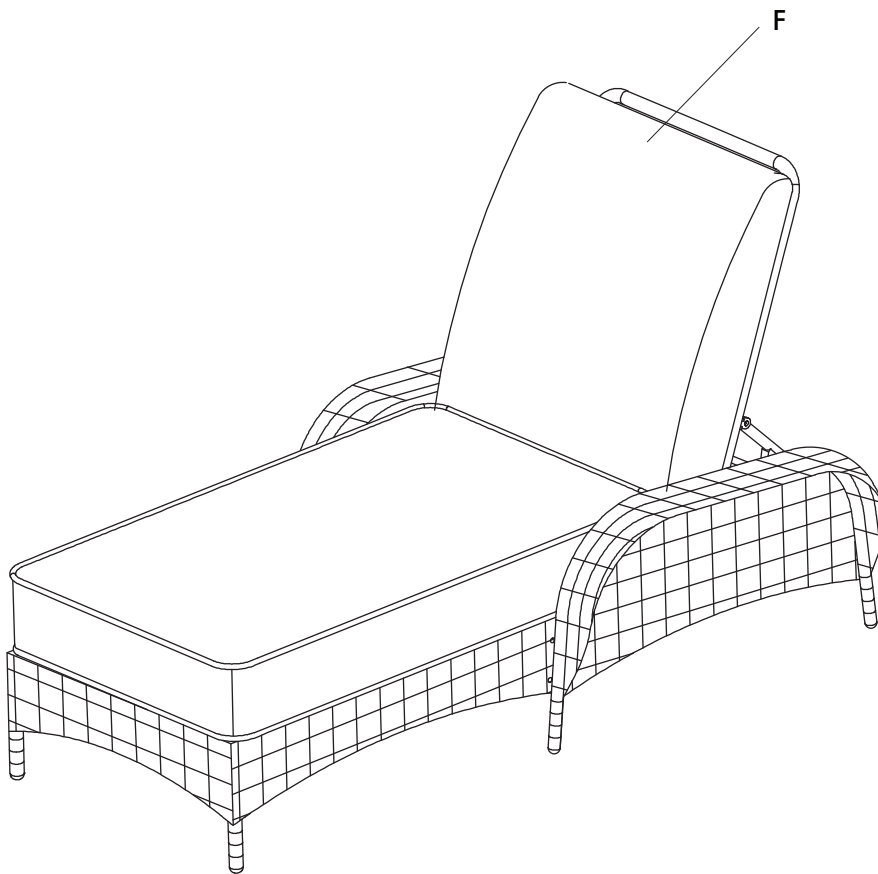
- Place the right arm (A) on a soft surface.
- Attach the chaise seat (C) to the right arm (A) using M6x45 combination bolts (CC) and plastic washers (DD), as shown below.
- Attach the connection bar (E) to the right arm (A) using an M6x20 combination bolt (AA) and M6x45 combination bolt (CC).
- Do not fully tighten all the bolts at this step.



## Assembly (continued)

### 4 TIGHTENING THE BOLTS

- Once all of the bolts are in place, fully tighten the bolts.
- Turn the chaise right side up.
- Ensure all connections are secure before use.
- Place the cushion (F) to finish the assembly of the chaise.



## Care and Cleaning

- For best results, clean the chaise with a damp cloth and dry thoroughly. This will help prevent mildew by removing dirt particles that may accumulate.
- Do not clean with abrasive materials, bleach, or solvents.
- Store the chaise in a dry, sheltered place when not in use.
- Keep the chaise away from fire, extreme heat, freezing conditions, and inclement weather such as rain, hail, sleet, snow, or wind.



# HAMPTON BAY®

Questions, problems, missing parts? Before returning to the store,  
call Hampton Bay Customer Service.  
8 a.m. - 7 p.m., EST, Monday - Friday, 9 a.m. - 6 p.m., EST, Saturday

**1-855-HD-HAMPTON**

**HAMPTONBAY.COM**

Retain this manual for future use.

For certification use only
----------------------------

Factory chaise ID # FBS80022
------------------------------