

OUTDOOR SHOWER

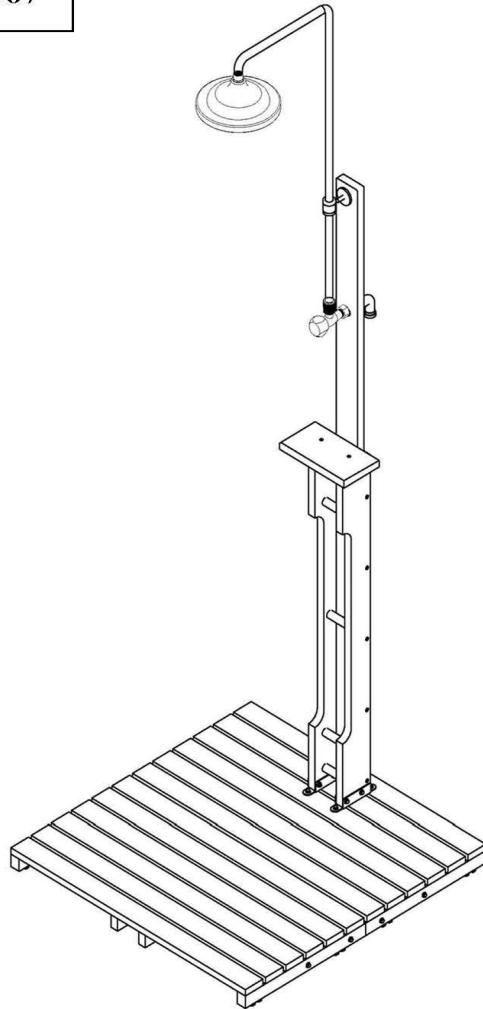
OD889900TX Assembly Instructions



**Southern
ENTERPRISES**

For assistance with assembly, contact:
Southern Enterprises Inc.
Customer Service 1-800-633-5096
service@seidal.com
www.seidal.com

PO:13907



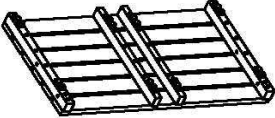
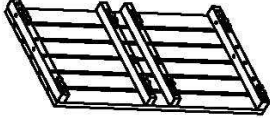
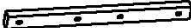
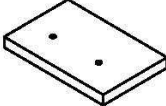

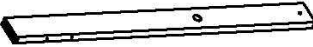
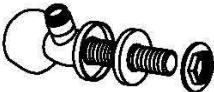


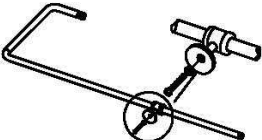

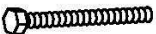



WARNING: Adult Assembly required.

Due to the presence of small parts during assembly, keep out of reach of children until assembly is complete.

OUTDOOR SHOWER

Parts And Hardware List

Please review all parts and hardware before disposing of any packaging.
Call Customer Service if missing hardware. Do not return to store/retailer.

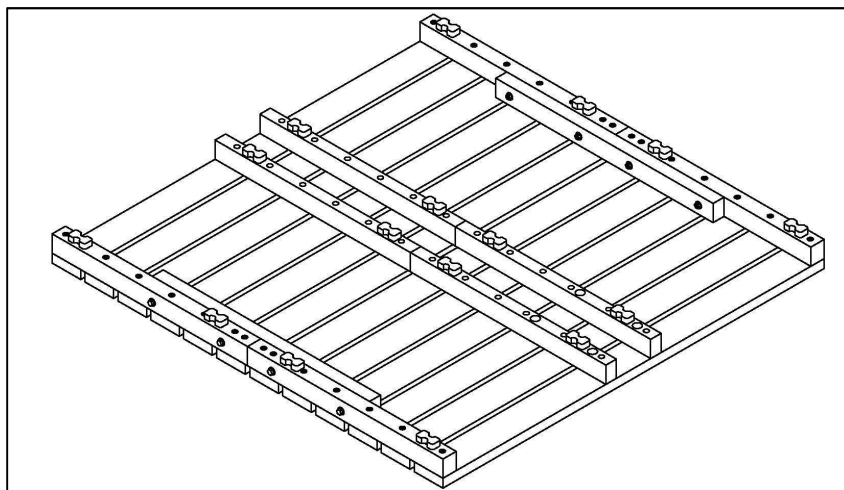
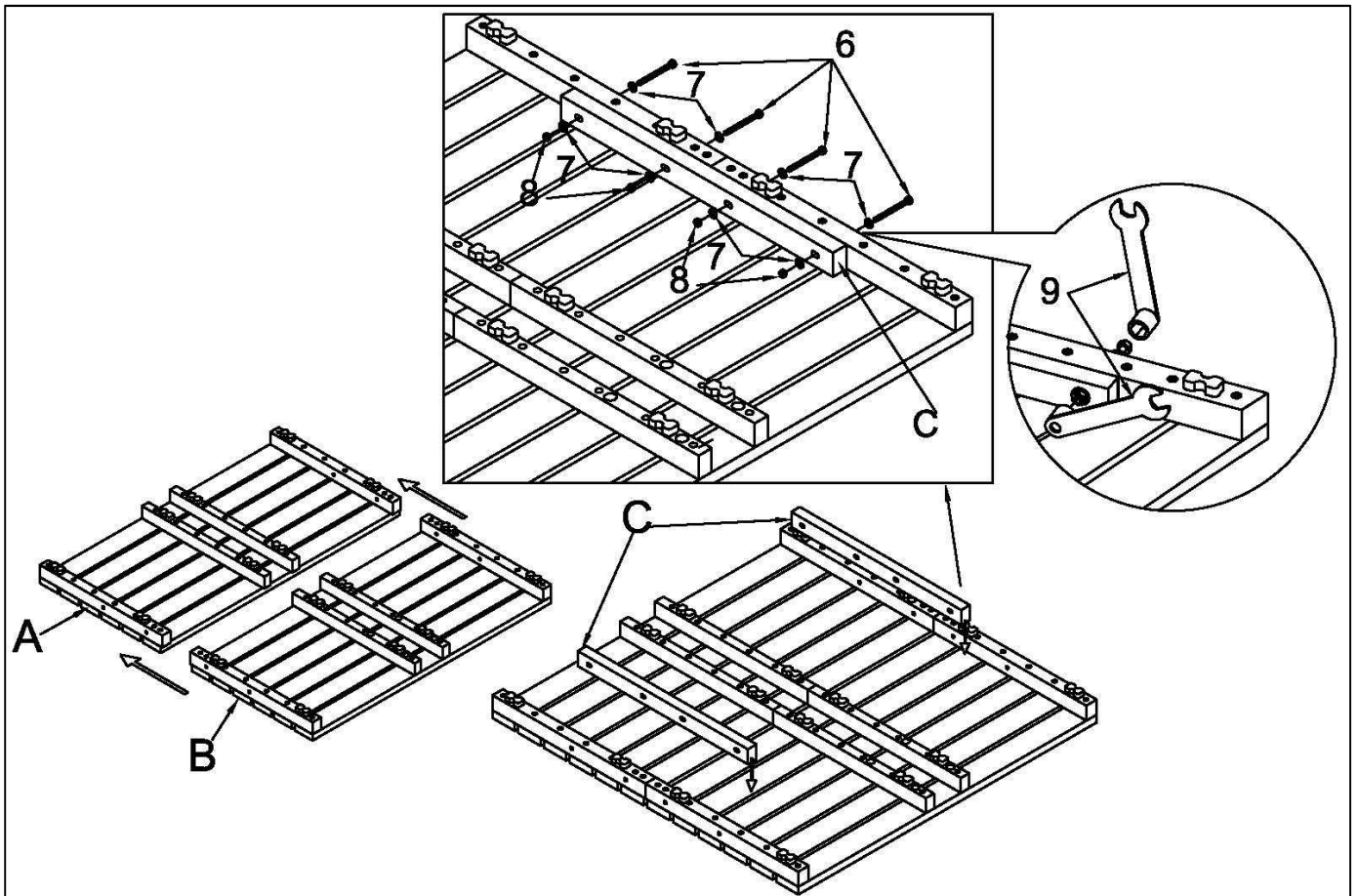
<p>A</p> <p>Quantity Of 1</p>  <p>Footplate-A</p>	<p>B</p> <p>Quantity Of 1</p>  <p>Footplate-B</p>	<p>C</p> <p>Quantity Of 2</p>  <p>Cleat</p>	<p>D</p> <p>Quantity Of 1</p>  <p>Soap Holder</p>
<p>E</p> <p>Quantity Of 1</p>  <p>Lower Pole Assembly</p>	<p>F</p> <p>Quantity Of 1</p>  <p>Upper Long Pole</p>	<p>1</p> <p>Quantity Of 1</p>  <p>Switch</p>	<p>2</p> <p>Quantity Of 1</p>  <p>Hose Connector</p>
<p>3</p> <p>Quantity Of 1</p>  <p>Shower Head</p>	<p>4</p> <p>Quantity Of 1</p>  <p>L-shaped Pipe</p>	<p>5</p> <p>Quantity Of 6</p>  <p>Screw (D5*38mm)</p>	<p>6</p> <p>Quantity Of 12</p>  <p>Bolt (M6*60mm)</p>
<p>7</p> <p>Quantity Of 24</p>  <p>Washer(6.0*16mm)</p>	<p>8</p> <p>Quantity Of 12</p>  <p>Nut</p>	<p>9</p> <p>Quantity Of 2</p>  <p>Wrench</p>	

Tool Required: Phillips Screwdriver (not included)

OUTDOOR SHOWER

Assembly Instructions

Step 1

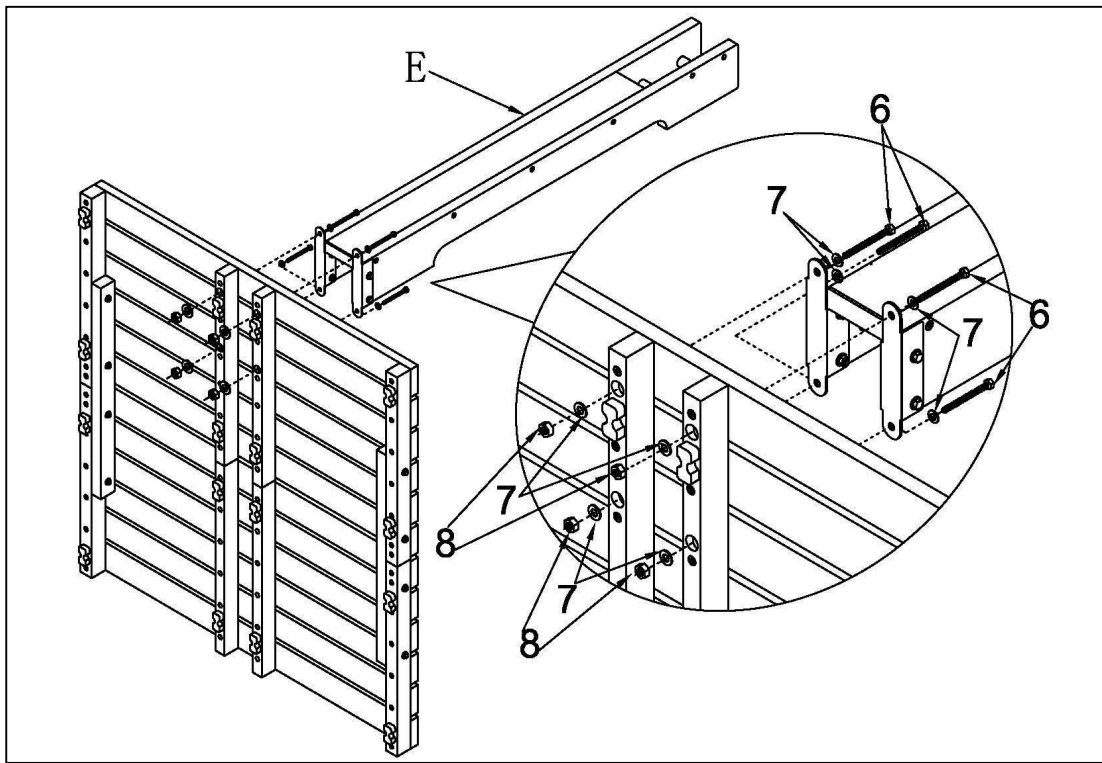


Turn footplates part (A) and part (B) facing down, forming a trapezium shape. Affix the Wood Cleat (C) along the inner side of the trapezium border. By aligning the threaded holes, place the washer (7) around the bolt (6), insert bolt from the outside through the border and wood cleat, secure with a washer (7) from inside of wood cleat, followed by a nut (8). Tighten with wrench (9). Repeat same steps for the other side.

OUTDOOR SHOWER

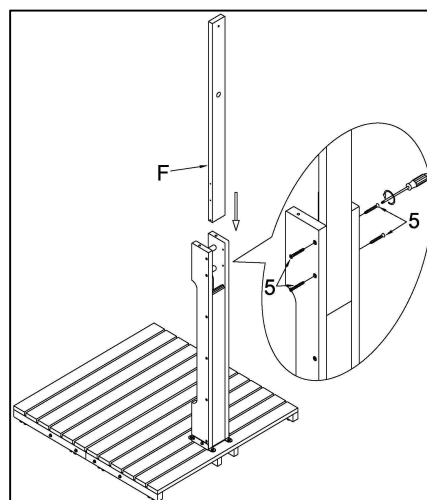
Assembly Instructions

Step 2



Put the footplate vertically upright and the lower pole (E) laying horizontally with the arc shape facing upwards. Align the threaded holes on the footplate with the hardware holes on lower pole (E), place the metal washer (7) around the bolt (6), insert bolt from the lower pole through the hardware hole to the footplate, secure with a washer (7) from bottom of footplate, followed by a nut (8). Tighten with wrench (9).

Step 3

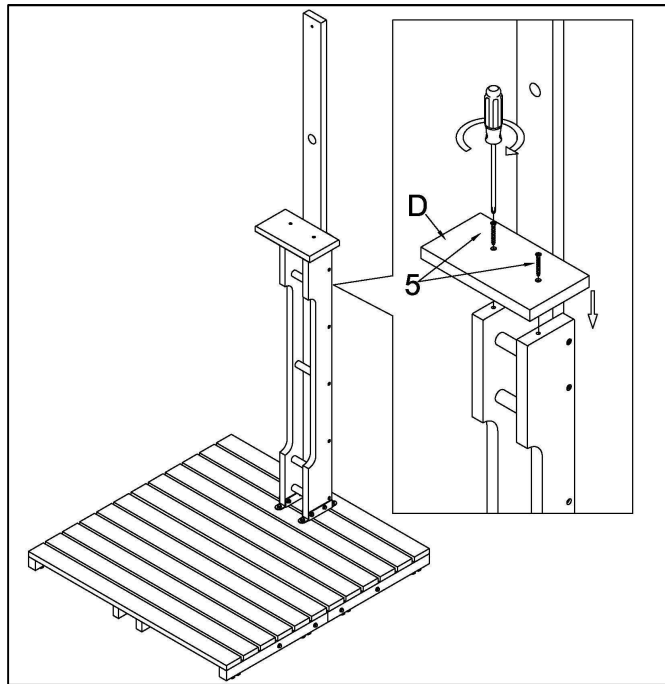


Place the assembled footplate upright. Insert the upper long pole (F) with four threaded holes into the lower pole, secure with screw (5), and tighten with a Phillips screwdriver.

OUTDOOR SHOWER

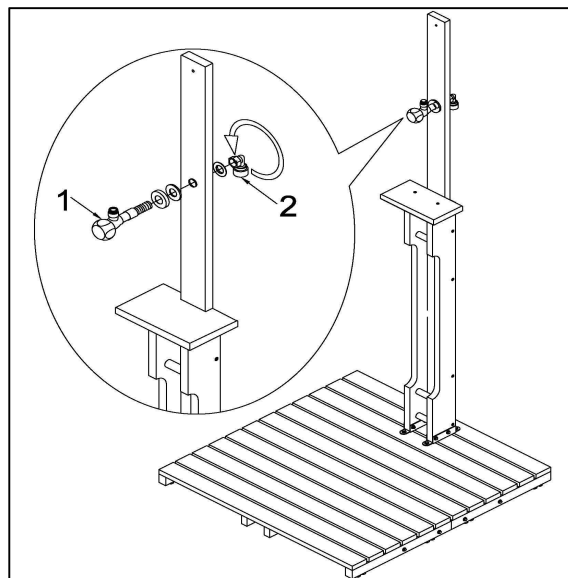
Assembly Instructions

Step 4



Position the soap holder (D) into the gap at top of lower pole. When in position, secure with screw (5), and tighten with a Phillips screwdriver.

Step 5



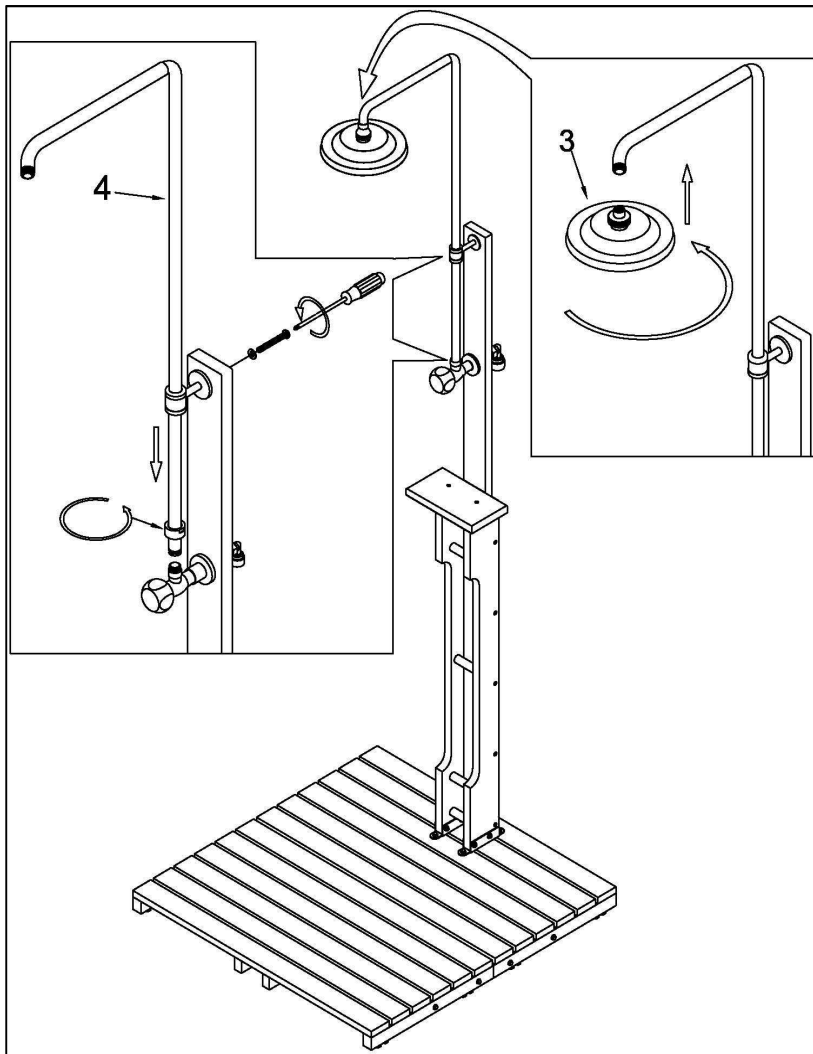
Unbolt the nut of faucet (1) and insert it through upper pole (F), then tighten the nut back on the faucet (1). Be cautious not to drop the metal washer & plastic washer in faucet.

Then attach the hose connector (2) to the end of the faucet (1). Be cautious not to drop the rubber washer in the hose connector (2).

OUTDOOR SHOWER

Assembly Instructions

Step 6



Remove the bolt & washer from the L-shaped pipe (4) holder, position the holder to align with the threaded hole of upper pole (F), then secure with washer, screw into the holder from the back of upper pole (F), tighten with a Phillips screwdriver. Insert the bottom end of the L-shaped pipe into the faucet (1), ensure that the rubber washer is in place before tightened.

Attach the shower head (3) onto the top end of the L-shaped pipe. In the event that there is water leakage on any connection joint, please reinforce with waterproof adhesive tape on the thread of the connection joint.

Assembly is completed.



Customer Service 1-800-633-5096
service@seidal.com
Southern Enterprises, Inc.
600 Freeport Pkwy Ste: 200
Coppell, Texas 75019

SEI Item# Parts Replacement Form

Customer Information

Name _____

Address _____

City/State/Zip Code _____

Phone Number _____

Please indicate where you purchased this item: Store/Website/Catalog

Please indicate color/size/style number:

Style No	Parts Letter	Parts Description	Quantity Needed
_____	_____	_____	_____
_____	_____	_____	_____
_____	_____	_____	_____

Please immediately examine this product carefully. Any request for missing parts or damage replacement must be received within 90 days of your receipt of the product. Replacement, if available, will be honored within this time frame. Parts will not be available for items arriving fully assembled. We do not recommend modifying product(s) and we are not responsible for any damages due to product modification(s). If damages or missing parts are not reported within 90 days of your receipt, we are under no obligation to provide parts or replacement merchandise.

Please contact Southern Enterprises at 800-633-5096 or in Dallas 972-869-0111/ 9am – 4pm Mon-Fri Central time if you have product issues or email us at service@seidal.com. Please ask for customer service representative for issues involving damages or replacement parts. Please ask for technical assistance representative for any issues with product and assembly/construction.

Please contact the retailer that you purchased from for returns.



Customer Service 1-800-633-5096
service@seidal.com
Southern Enterprises, Inc.
600 Freeport Parkway, Suite 200
Coppell, Texas 75019