



## **Attention Installer**

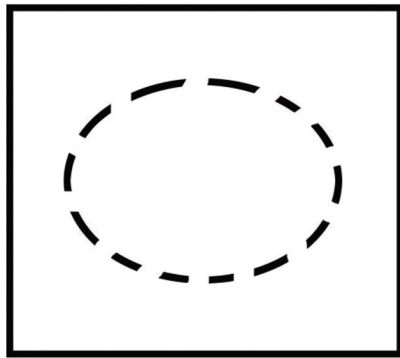
1. Read these instructions carefully before installation. Inspect sink for damages. Do not install if the sink is damaged.
2. Ariel recommends that installation of undermount sinks be done by a professional installer.
3. Sink edges may be sharp and can cause accidental injury to installer if not careful. Wear cut-resistant protective gloves during installation.
4. Templates are only provided as a guide. Place template on sink to ensure the template will give you the proper cutout for the sink. Ariel is not responsible for improper sink or countertop installation. Ariel is not liable for any damages to sink or countertop or personal injury during installation.
5. The instructions in this guide are for installation on granite, marble or cultured stone countertops ask your fabricator for proper installation instructions. Remind your fabricator to install the sink in a way that it can be.

## Materials and Tools Needed

- Plumber's Putty
- Sink
- Sink Mounting Clips
- Silicon Caulk
- Philips Head Screwdriver
- Jigsaw or Keyhole Saw
- Pencil
- Sink Cut-Out Template

### \*\*TEMPLATE/GUIDE\*\*

The template provided is to be used as a guide for cutting. Due to the nominal dimensions and installation preference, some customization will be required. In some instances a template may not be included. If this is the case, the countertop fabricator will make a custom template based upon installation preference.



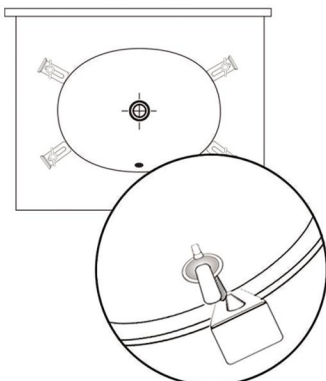
### Step: 2

## INSTALLATION

After you have confirmed that the sink lines up correctly within the existing hole cut-out, it is now time to install the sink.

1. Center the sink on the underside of the countertop using the marks you created during the dry fitting
2. Using the new hardware/existing hardware, loosely tighten the clips with the angled side facing down. After final adjustments have been made, tighten clips. **Do not over tighten**

3. Clean any excess sealant from the rim immediately and prepare for plumbing.



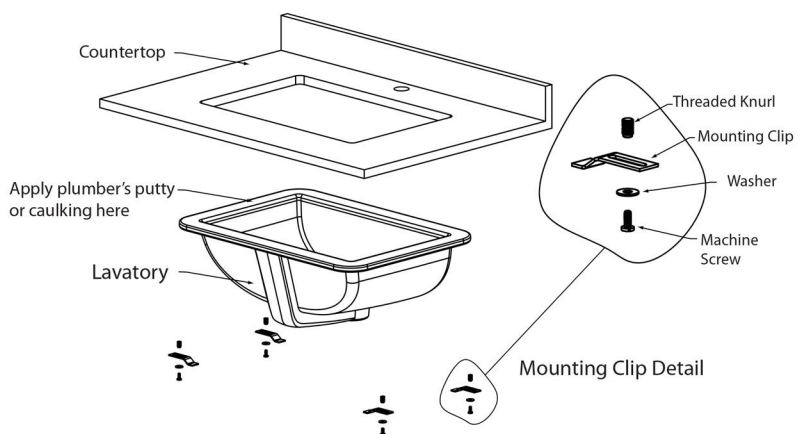
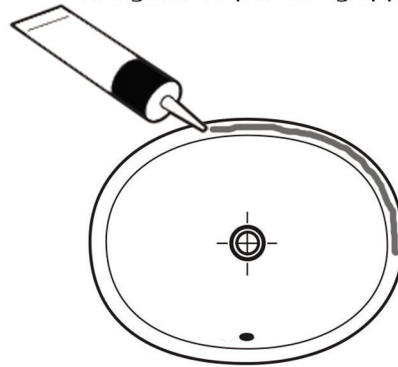
### Step: 1

## PREP

For proper adhesion, please make sure that the rim is clean, dry and dust free.

1. If replacing an existing sink, make sure that you have lined up the sink so that the overhang is equal all the way around. It is suggested to dry fit the sink and mark its location before installation.

2. Apply a continuous bead of silicone sealant / adhesive specifically designed for plumbing applications.



---

## Care and Maintenance

- Clean regularly with normal detergent and warm water.
- Always make a habit of drying your sink after use and buffing with a soft cloth. This will ensure that no build up of limescale or other mineral deposits can occur.
- Clean the sink once a week using a non-abrasive cleanser such as Comet and a clean soft sponge. Scrub in the same direction as the natural grain of the sink.
- **Never** let soap or other household cleaners to dry on the surface of the sink. Most products contain additives which will affect the finish of the sink.
- **Never** use a steel wool pad to clean your sink. Doing so may damage the sink's surface and cause discoloration.
- Minor scratching of the sink's surface is extremely difficult to avoid and is not something to be unduly concerned about. These marks are usually only superficial and can be removed with a proprietary stainless steel cleaner.

---

## LIMITED LIFETIME WARRANTY

This product has been manufactured and inspected to the highest possible quality standards.

Should you experience any defects in materials or workmanship within the warranty period, we will repair or replace the defective product, subject to the following conditions:

- Any claim made under this warranty must include a copy of a valid proof of purchase showing the date and place of purchase.
- Our obligation under this warranty is to the original purchaser only, and may not be transferred.
- Product replacement does not include shipping costs or labor installation costs.
- This warranty applies to residential installations only.

This warranty relates to defects in manufacture, materials or workmanship in a sink supplied for installation into domestic premises in the United States. It does not extend to

- Damage resulting from failure to maintain the product in accordance with the *Care and Maintenance* instructions in this manual.
- Normal wear and tear, scratches or accidental damage.
- Faults arising from improper use and/or installation.
- Defects in accessories, strainers and rinse grids.

**All incidental or consequential damages are specifically excluded. No additional warranties, express or implied are given, including but not limited to, any implied warranty of merchantability or fitness for a particular purpose.**

Some states do not allow the exclusion or limitation of incidental or consequential damages or limitations on how long an implied warranty lasts, so the above limitations or exclusions may not apply to you.

This warranty gives you specific legal rights, and you may also have other rights which vary from state to state.

---