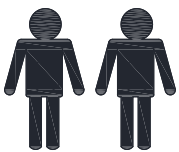
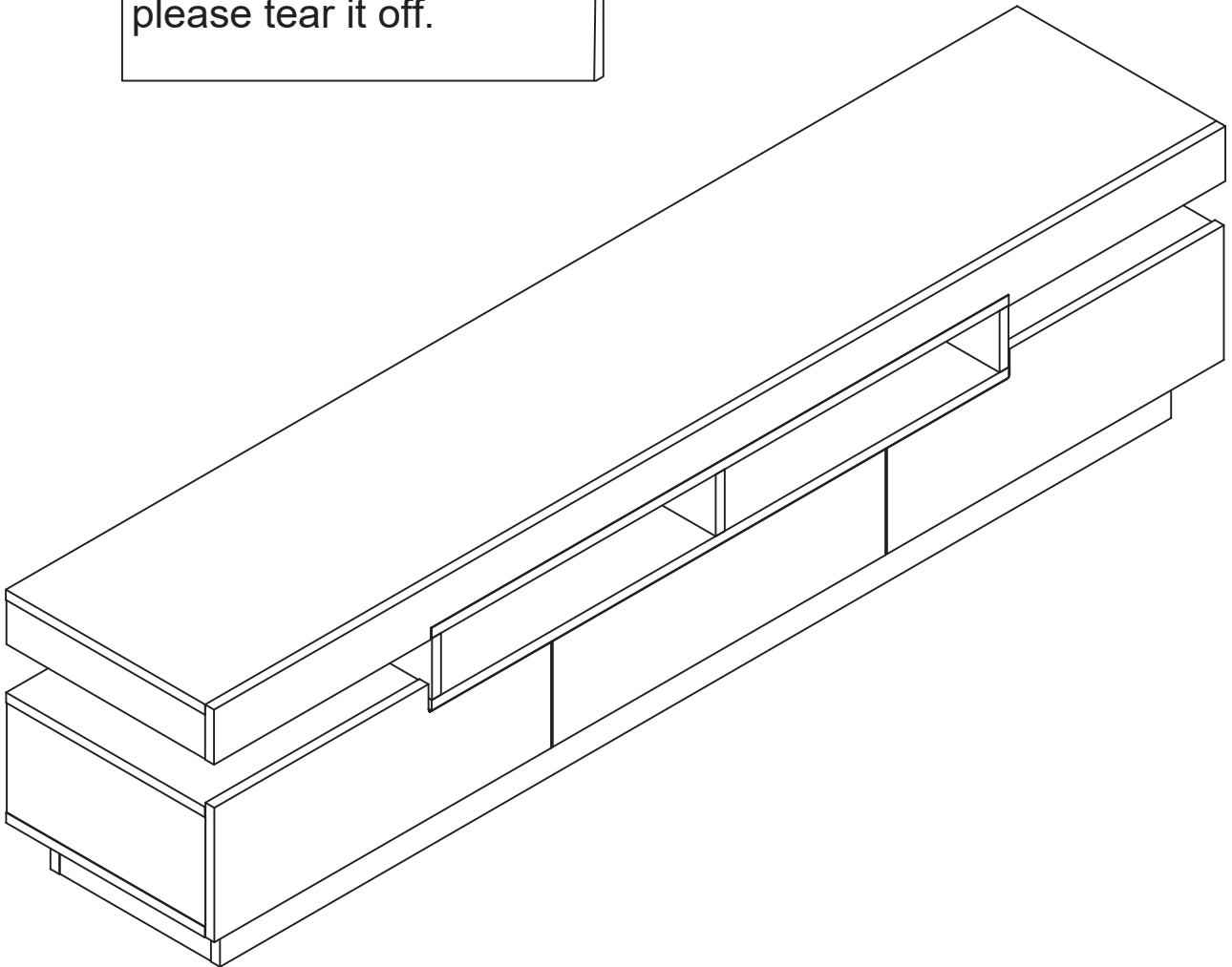




There is a protective film,
please tear it off.

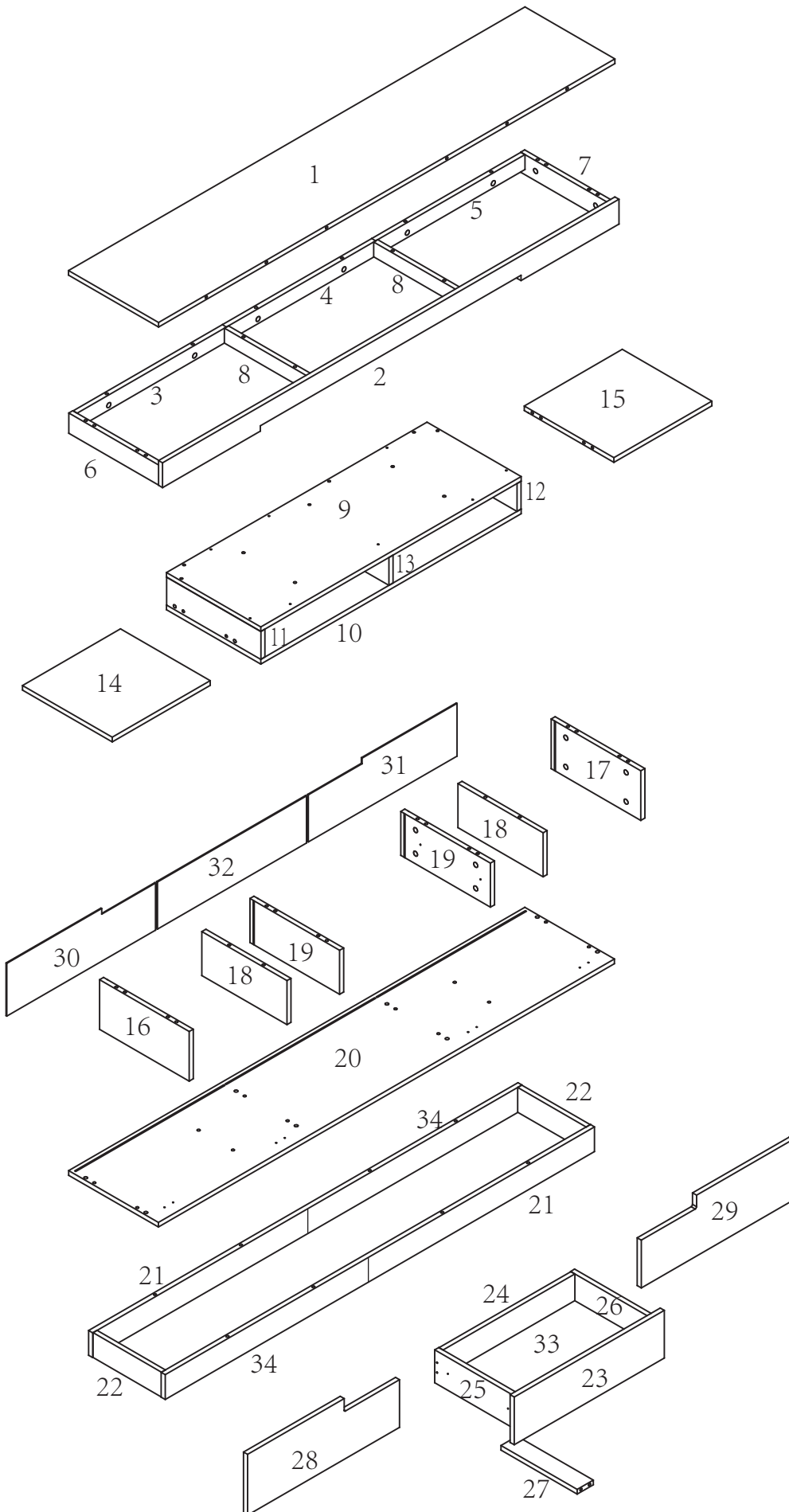




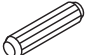
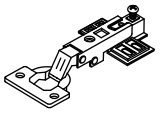

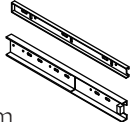



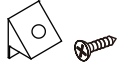

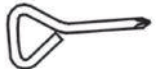
2 PERS



60 MIN

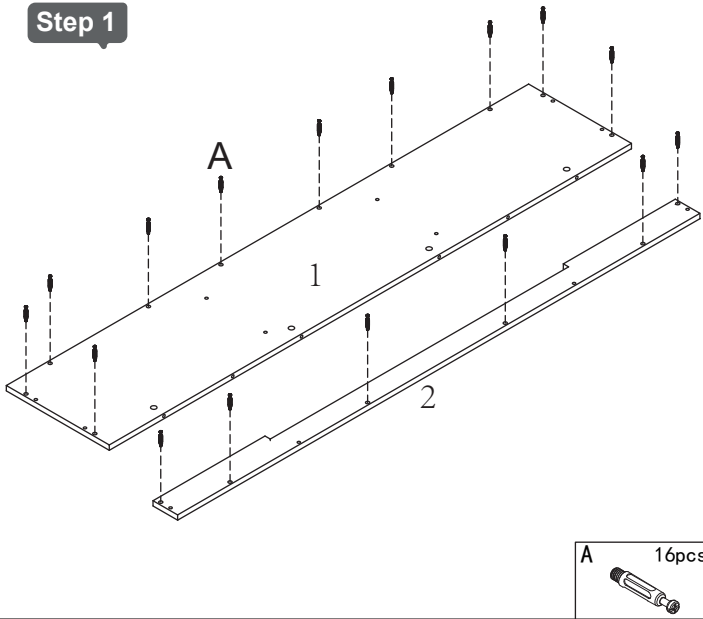
PARTS LIST



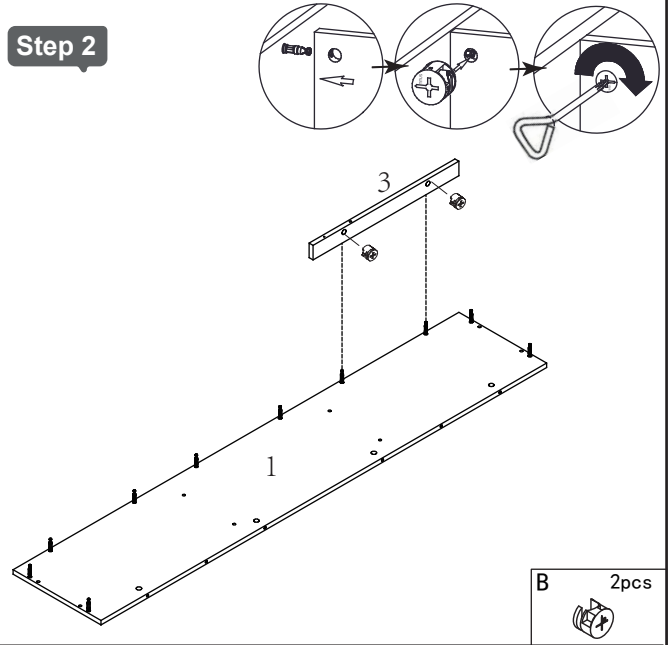
A		44+2pcs
B		44+2pcs
C		φ6*30mm 72+2pcs
D		4pcs
E		2pcs
F		300mm 1set
G		G1 G2 G3 1set
H		M3.5*30mm 32+2pcs
I		M3.5*14mm 44+2pcs
J		6+1pcs
K		LED 1set
L		1pcs

INSTRUCTION MANUAL

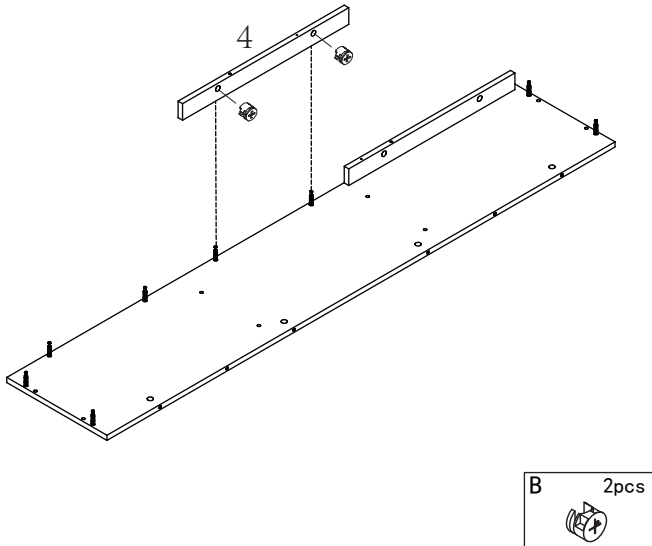
Step 1



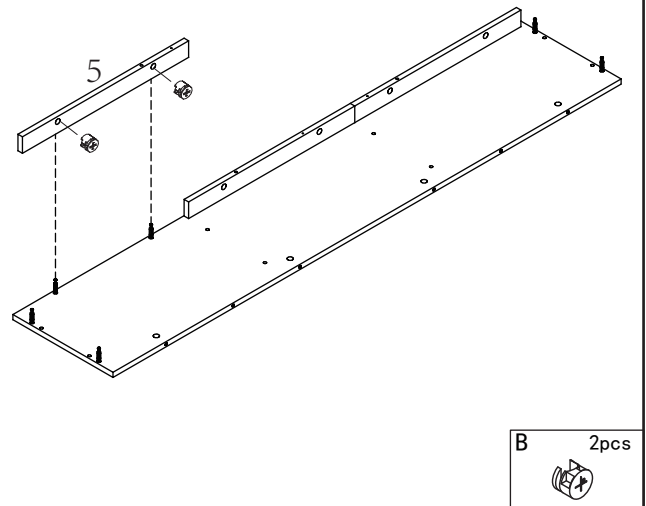
Step 2



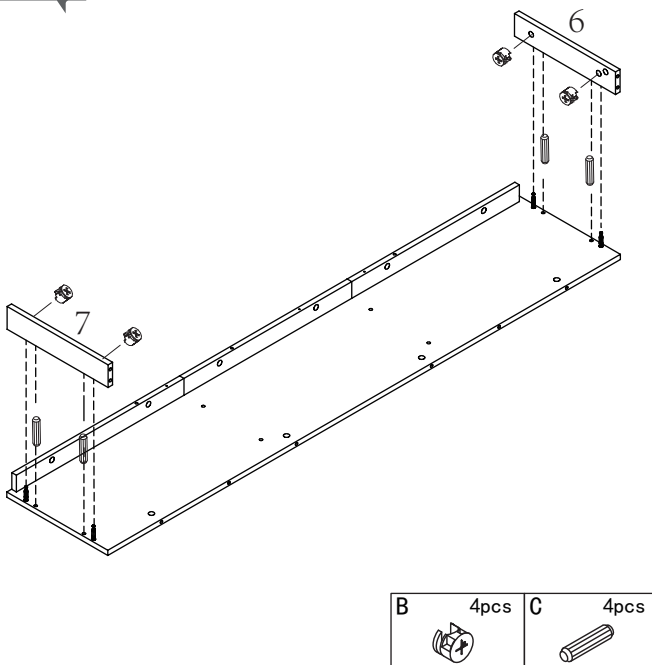
Step 3



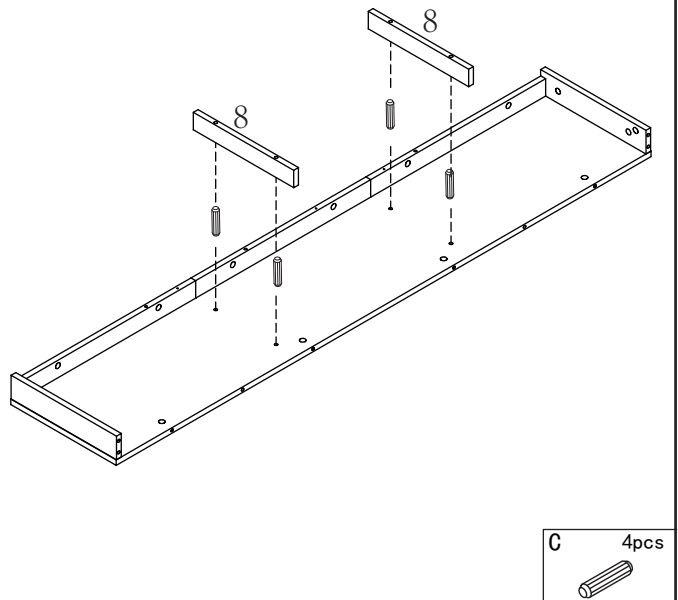
Step 4



Step 5

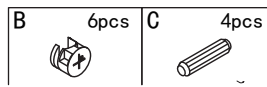
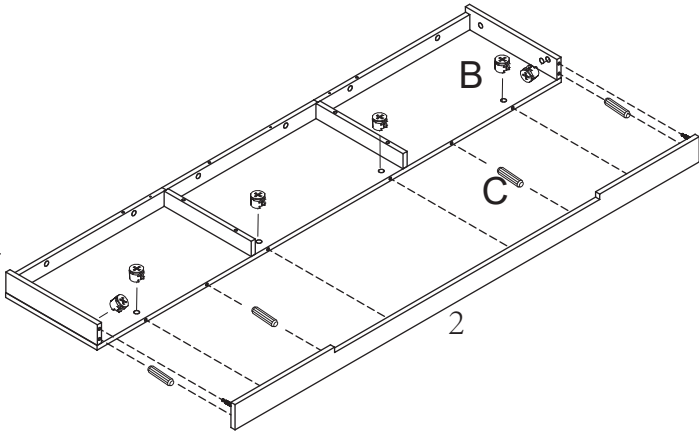


Step 6

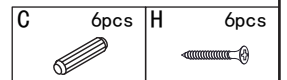
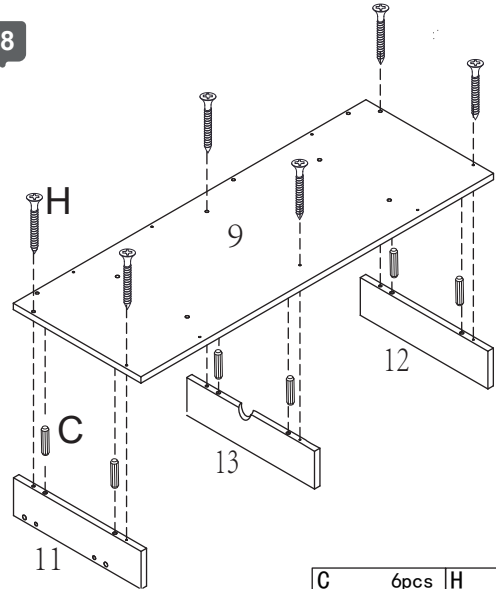


INSTRUCTION MANUAL

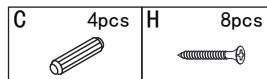
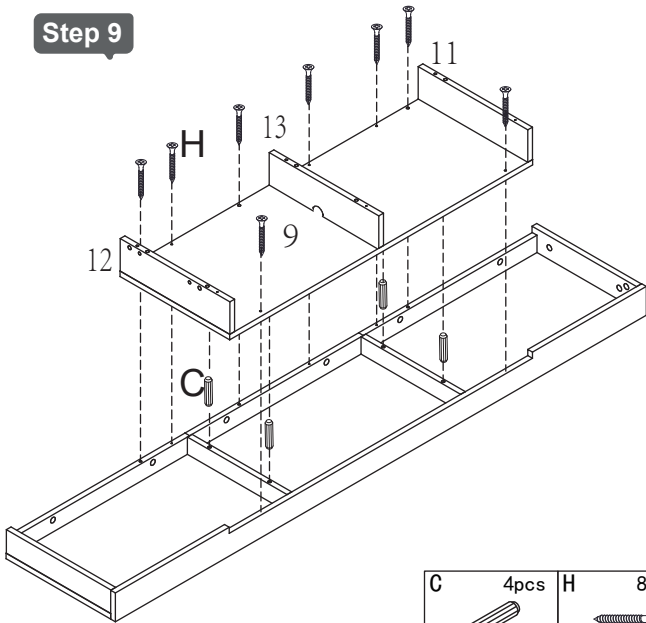
Step 7



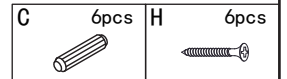
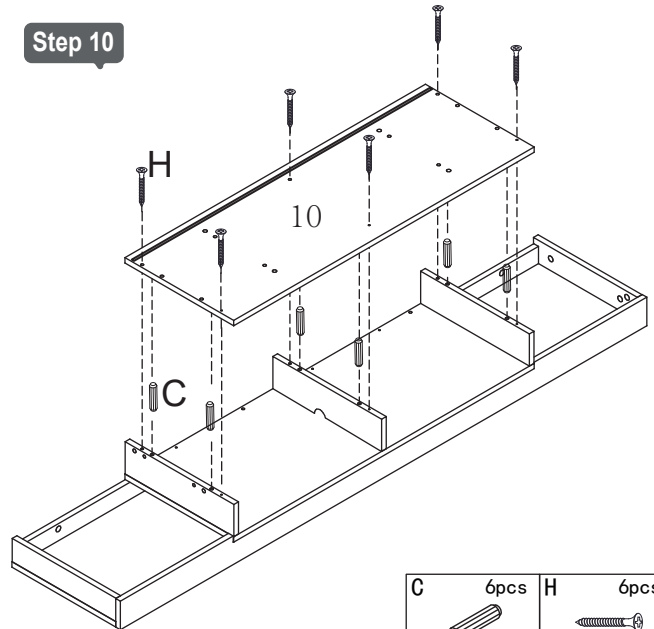
Step 8



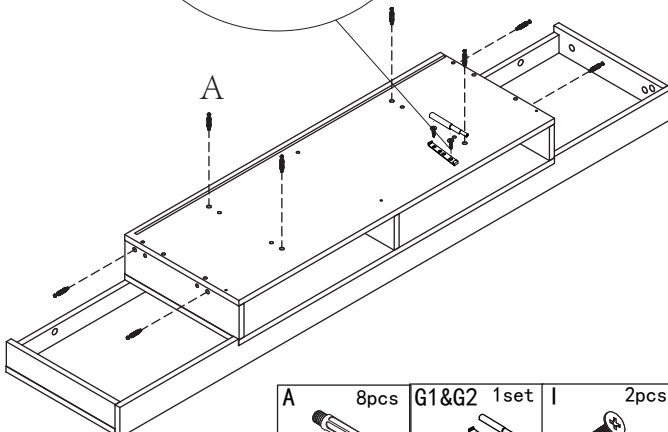
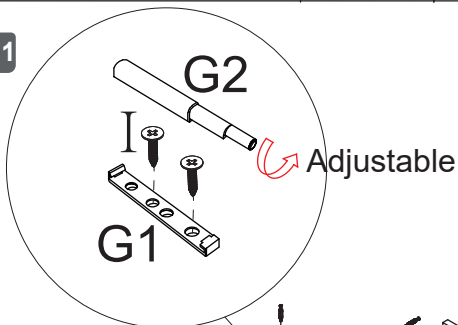
Step 9



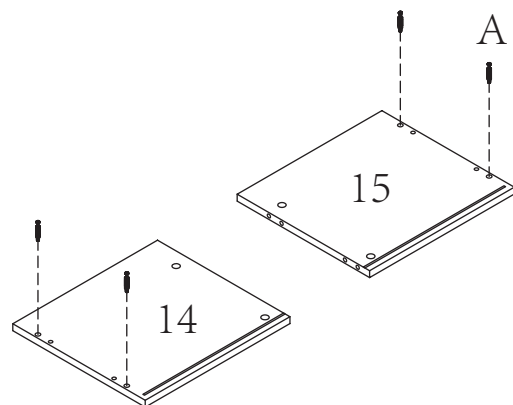
Step 10



Step 11

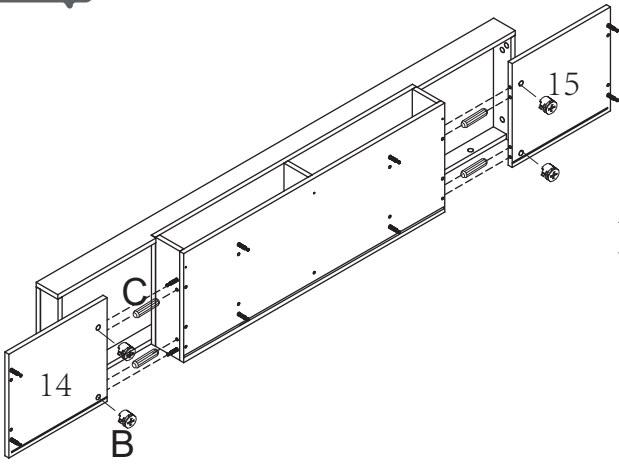


Step 12



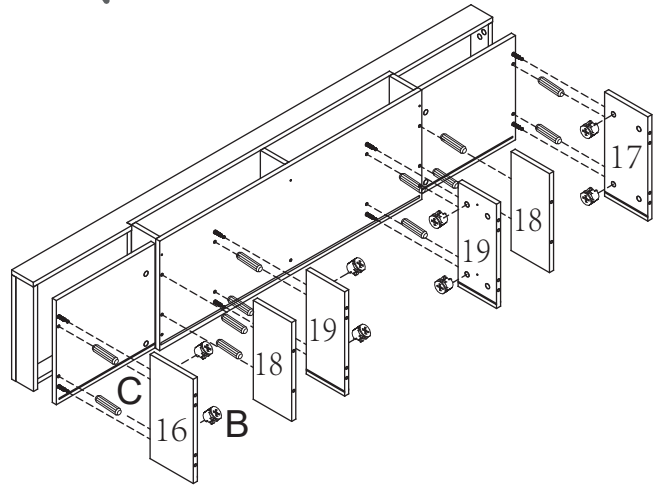
INSTRUCTION MANUAL

Step 13



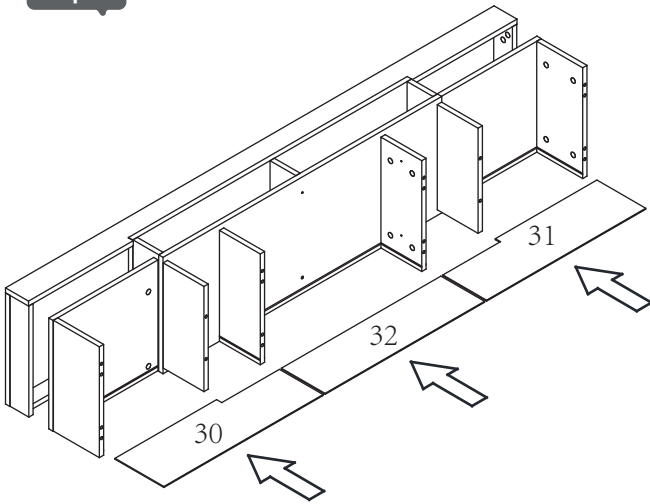
B 4pcs C 4pcs

Step 14

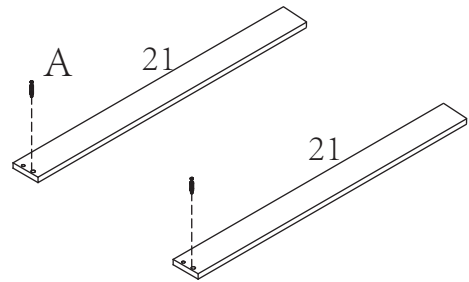


B 8pcs C 12pcs

Step 15

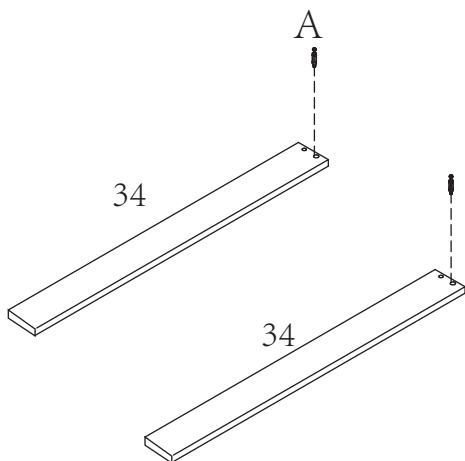


Step 16



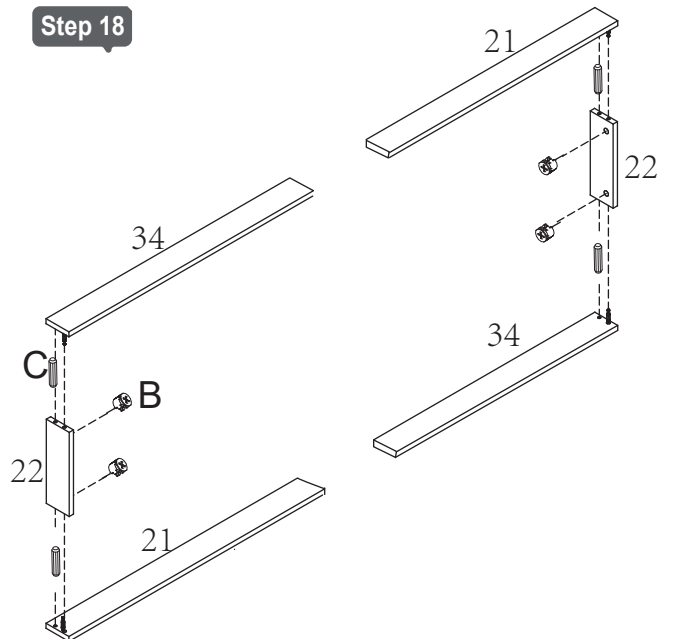
A 2pcs

Step 17



A 2pcs

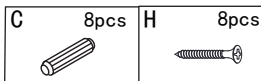
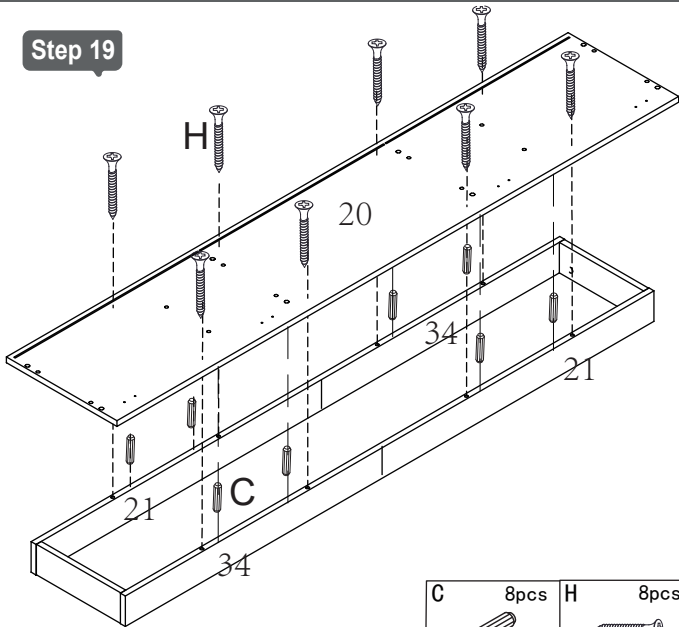
Step 18



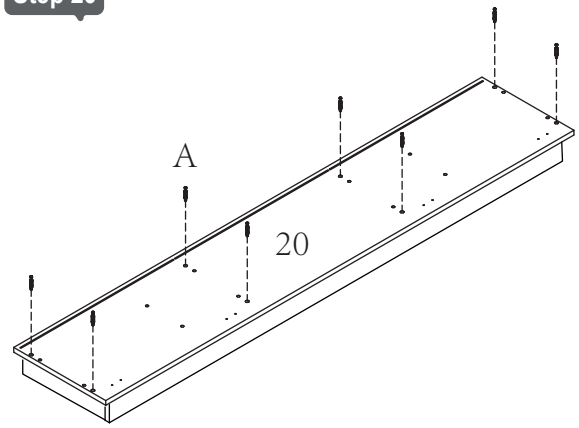
B 4pcs C 4pcs

INSTRUCTION MANUAL

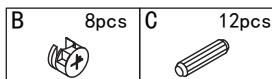
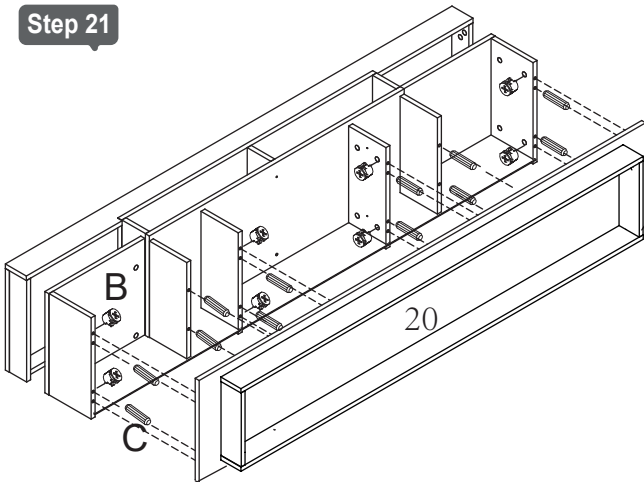
Step 19



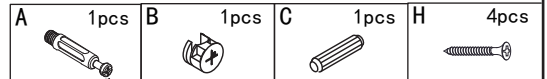
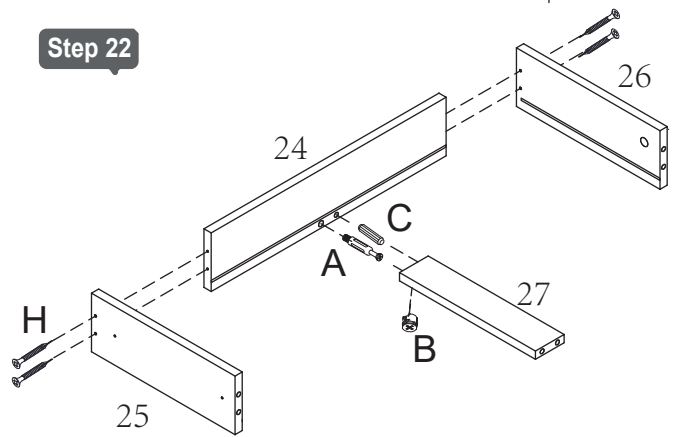
Step 20



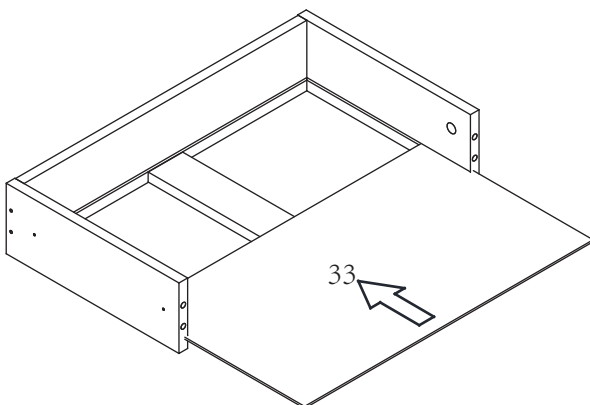
Step 21



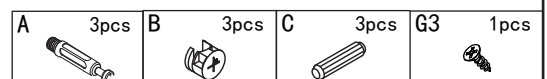
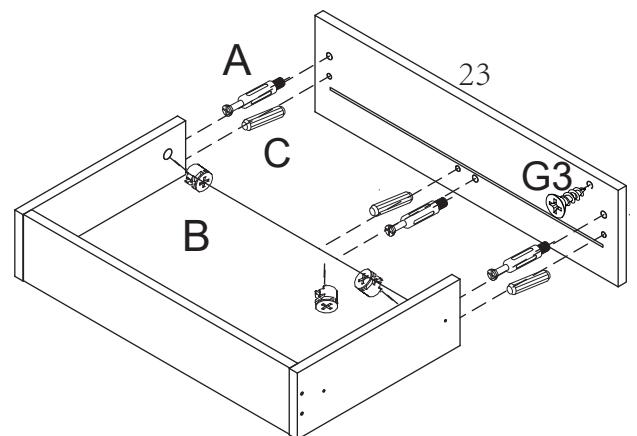
Step 22



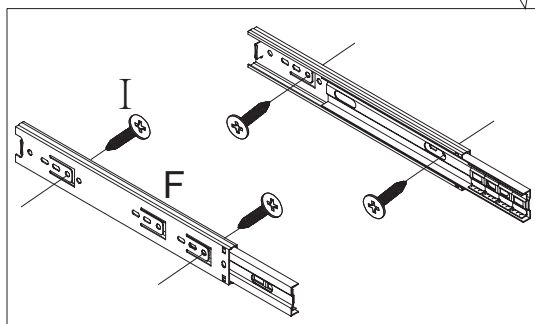
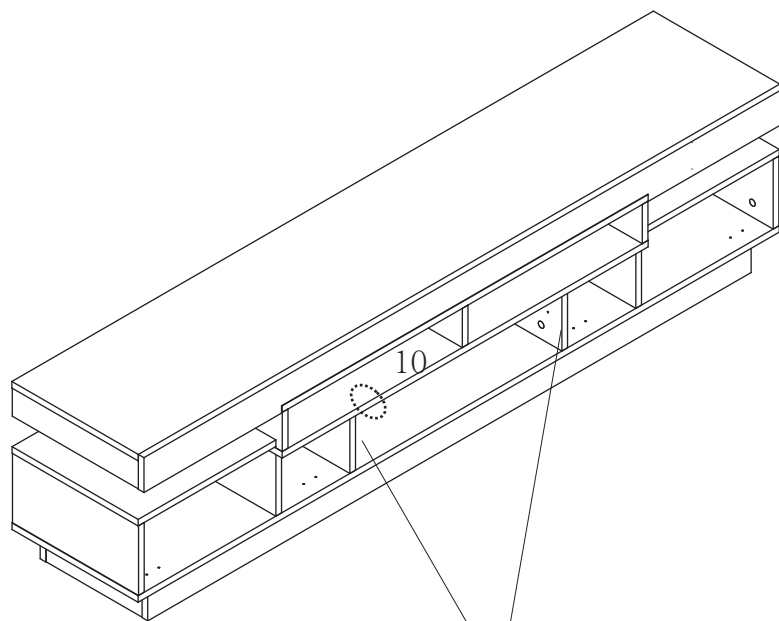
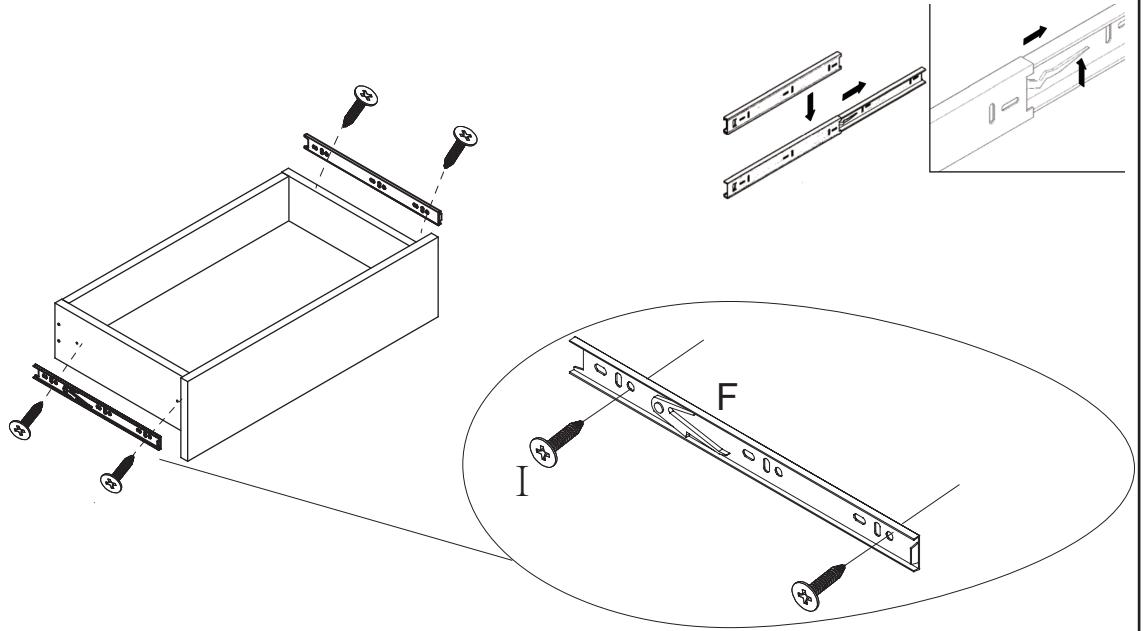
Step 23



Step 24

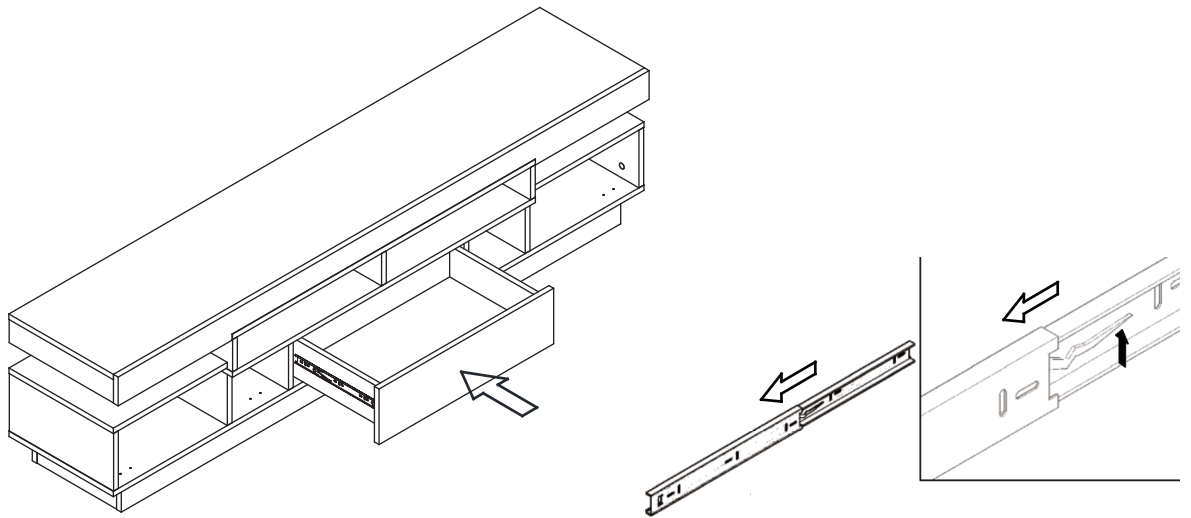


Step 25

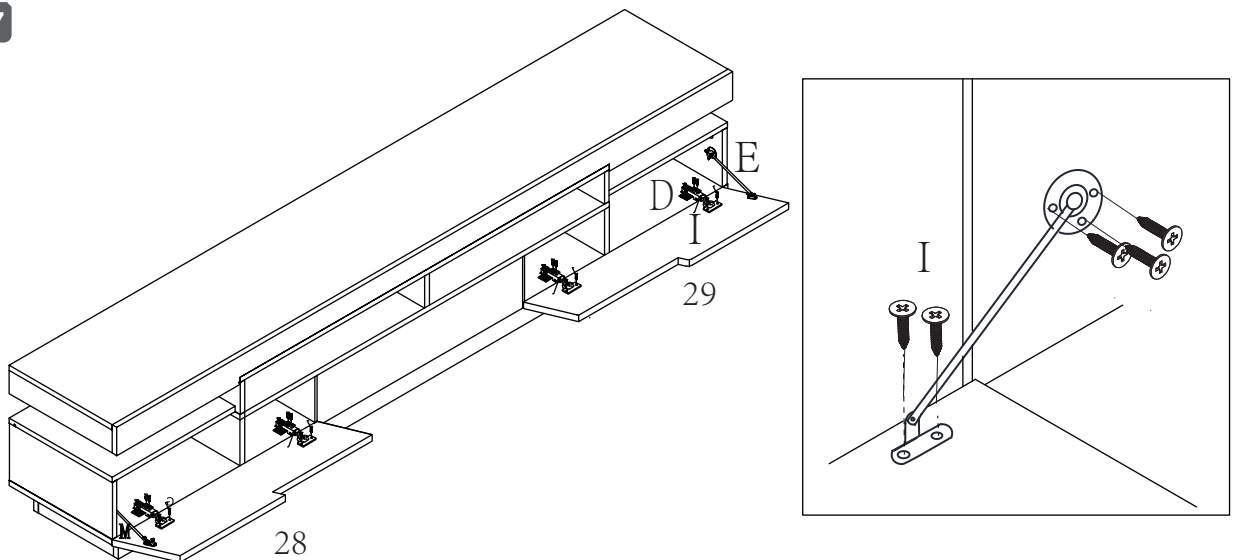


F	1set	I	8pcs
---	------	---	------

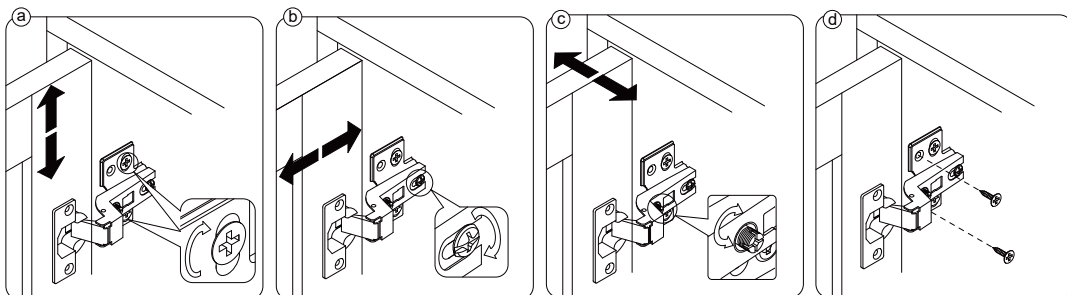
Step 26



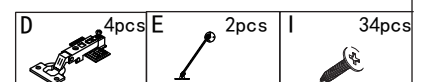
Step 27



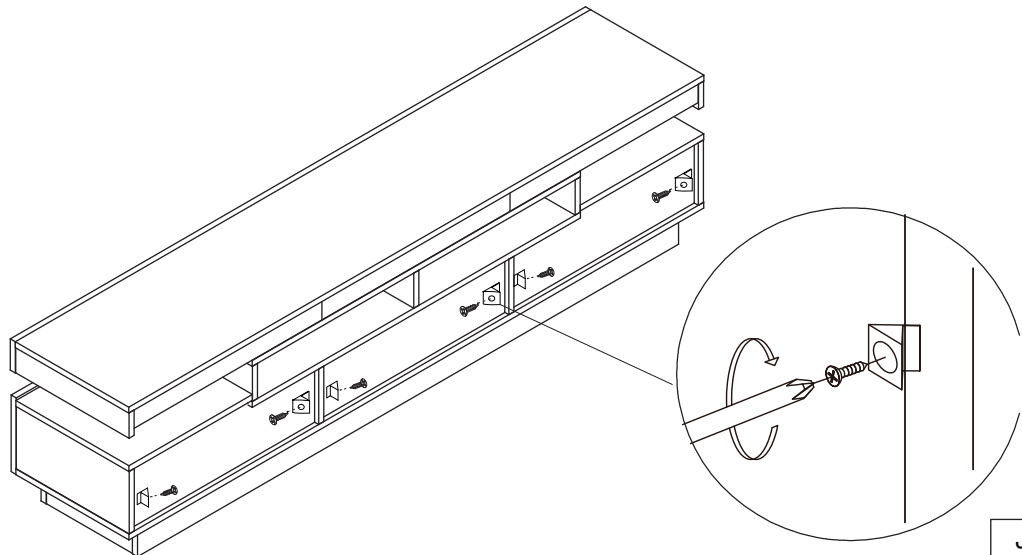
When the hinges are installed, you can refer to the pictures to adjust crevice of the doors till it's perfect:



1. To adjust the doors up and down, please refer to step (a)
2. To adjust the distance between the doors and side panels, please refer to step (b)
3. To adjust the gap between two doors, please refer to step (c)
4. After the adjustment finished, please tight the screws, refer to step (d)



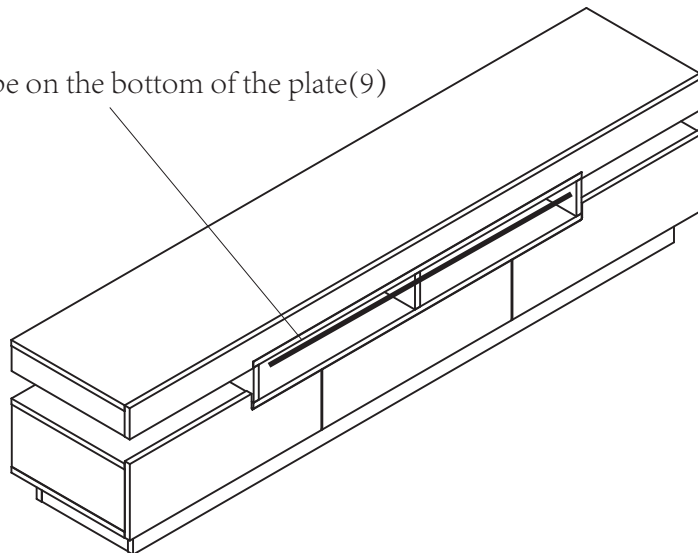
Step 28



J 6set

Step 29

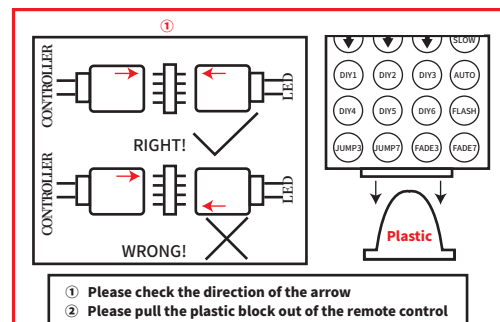
Paste the LED light tape on the bottom of the plate(9)



LED Light

If you can't let the lights work successfully, please check the following:

1. Please check the direction of the connect, try it in the opposite direction, according to the following picture .
2. Please check the remote control. it need you to tear down the plastic septum before use it.
3. Don't let the remote control too far from the receiver, make sure there is no obstruction between them.



K 1set