

# **POWER KING<sup>®</sup>**

## **42TON KINETIC LOG SPLITTER**

### **MODEL**

### **PK0342**



## **Owner's Manual and Operation Instruction**

## General Safety Rules

### **WARNING**

Read this Safety & Operating Instructions manual before you use the KINETIC LOG SPLITTER. Become familiar with the operation and service recommendations to ensure the best performance from your machine. If you have any questions or need assistance, please contact your local dealer.

### **Warning Labels**

Your KINETIC LOG SPLITTER carries prominent labels as reminders for its proper and safe use. Shown below are copies of all the safety and Information labels that appear on the equipment. Take a moment to study them and make a note of their location on your LOG SPLITTER as you set up and before you operate the unit. Replace damaged or missing safety and information labels immediately.



 **WARNING**  
**PINCH POINT - KEEP AWAY**  
To avoid serious injury. Keep hands clear of moving parts. Speeds may change with load or engine RPM

## OPERATION

1. Lock front wheel
2. Push unlock lever and hold
3. Push split lever quickly and Let go .  
Lever will auto retract.  
**PUSHING SPLIT LEVER SLOWLY WILL DAMAGE UNIT .BE QUICK.**

### **WARNING!**

**AVOID SERIOUS INJURY OF DEATH**  
Read Safety & Operating Instruction manual completely.  
Keep hands and all body parts away from splitting wedge, ram partially split wood and moving parts.  
Rotating parts inside can cause severe injury.  
Do NOT start or operate machine without all guards in place  
Shut off the engine and wait 30 seconds for the flywheels to stop  
Spinning to remove any stuck pieces of wood from the wedge, or before performing any actions around the ram or rack of the machine.  
Wait 5 minutes for engine to cool and flywheels to have stopped spinning before removing any guarding  
Hold logs by the sides, not the ends or top while loading  
Only one person is allowed to load logs and operate the log splitter  
Never operate log splitter under the influence of alcohol or drugs

### **CAUTION!**

Ram automatically retracts when the engagement handle is disengaged or released  
Keep hands and clothing clear of retracting ram  
Operate log splitter on flat, level, dry ground. Stay off slopes and slippery surfaces  
Never allow children or untrained adults to use log splitter  
Keep bystanders, children, and helpers at least 25ft away  
Wear safety glasses, hearing protection, tight fitting work gloves without loose straps or drawstrings, and safety shoes  
Never leave log splitter unattended during operation  
Split wood in the direction of the grain only

## ***Protecting Yourself and Those Around You***

---

### **WARNING**

This is a high-powered machine, with moving parts operating with high energy. You must operate the machine safely. Unsafe operation can create a number of hazards for you, as well as anyone else in the nearby area. Always take the following precautions when using this machine:

- Keep in mind that the operator or user is responsible for accidents or hazards occurring to other people, their property, and themselves.
- Always wear protective goggles or safety glasses with side shields while using the Log Splitter to protect your eyes from possible thrown debris.
- Avoid wearing loose clothing or jewelry, which can catch on moving parts.
- We recommend wearing gloves while using the Log Splitter. Be sure your gloves fit properly and do not have loose cuffs or drawstrings.
- Wear shoes with non-slip treads when using your Log Splitter. If you have safety shoes, we recommend wearing them. Do not use the machine while barefoot or wearing open toed sandals.
- Wear long pants while operating the Log Splitter.
- Keep bystanders at least 50 feet away from your work area at all times. Stop the motor when another person or pet approaches.

---

## ***Safety for Children and Pets***

---

### **WARNING**

Tragic accidents can occur if the operator is not alert to the presence of children and pets. Children are often attracted to the machine and the splitting activity. Never assume that children will remain where you last saw them. Always follow these precautions:

- Keep children and pets at least 50 feet from the working area and ensure they are under the watchful care of a responsible adult.
- Be alert and turn the machine off if children or pets enter the work area.
- Never allow children to operate the Log Splitter.

## ***Safety with Gasoline - Powered Machines***

---

### **WARNING**

Gasoline is a highly flammable liquid. Gasoline also gives off flammable vapor that can be easily ignited and cause a fire or explosion. Never overlook the hazards of gasoline. Always follow these precautions:

- Never run the engine in an enclosed area or without proper ventilation as the exhaust from the engine contains carbon monoxide, which is an odorless, tasteless, and a deadly poisonous gas.
- Store all fuel and oil in containers specifically designed and approved for this purpose and keep away from heat and open flame, and out of the reach of children.
- Replace rubber fuel lines and grommets when worn or damaged and after 5 years of use.
- Fill the gasoline tank outdoors with the engine off and allow the engine to cool completely. Don't handle gasoline if you or anyone nearby is smoking, or if you're near anything that could cause it to ignite or explode. Reinstall the fuel tank cap and fuel container cap securely.
- If you spill gasoline, do not attempt to start the engine. Move the machine away from the area of the spill and avoid creating any source of ignition until the gas vapors have dissipated. Wipe up any spilled fuel to prevent a fire hazard and properly dispose of the waste.
- Allow the engine to cool completely before storing in any enclosure. Never store a machine that has gas in the tank, or a fuel container, near an open flame or spark such as a water heater, space heater, clothes dryer or furnace.
- Never make adjustments or repairs with the engine running. Shut down the engine, disconnect the spark plug wire, keeping it away from the spark plug to prevent accidental starting, wait 5 minutes before making adjustments or repairs.
- Never tamper with the engine's governor setting. The governor controls the maximum safe operation speed and protects the engine. Over-speeding the engine is dangerous and will cause damage to the engine and to the other moving parts of the machine. If required, see your authorized dealer for engine governor adjustments.
- Keep combustible substances away from the engine when it is hot.
- Never cover the machine while the muffler is still hot.
- Do not operate the engine with the air cleaner or the carburetor air intake cover removed. Removal of such parts could create a fire hazard. Do not use flammable solutions to clean the air filter.
- The muffler and engine become very hot and can cause a severe burn; do not touch.

### ***A Note to All Users***

No list of warnings and cautions can be all-inclusive. If situations occur that are not covered by this manual, the operator must apply common sense and operate this KINETIC LOG SPLITTER in a safe manner

## **MECHANICAL SPECIFICATIONS**

Model	PK0342
Engine	7HP Kohler engine
Max splitting force	42ton
Max splitting length	550mm
Max splitting dia.	600mm
Cycle time	3seconds
Splitter weight	295kgs

## **IMPORTANT**

---

**The diameter listed is indicative of the maximum suggested size. A small log can be difficult to split when it contains knots or a particularly tough fiber. On the other hand, it may not be difficult to split logs with regular fibers even if its diameter exceeds the maximum indicated above.**

## Log Splitter OPERATION

---

### NOTICE

All logs should be no longer than 550mm

---

### WARNING

- Do not place your hands on the ends of the log when loading the Log Splitter. This is a very UNSAFE method and could result in injury to your hands
  - Do not reach or step across the beam while the Log Splitter is running. This is a very UNSAFE method which could cause personal injury or even death.
- 

### CAUTION

- Never attempt to split wood across the grain. The Log Splitter was not designed for cross-grain splitting. Doing so could damage the Log Splitter and may cause personal injury.
  - Make sure both ends of the log you are splitting are cut as square as possible. This will prevent the log from sliding out of position while under pressure.
- 

### NOTICE

THE KINETIC LOG SPLITTER OPERATES DIFFERENTLY THAN A HYDRAULIC SPLITTER. NOT OPERATING THE MACHINE PROPERLY WILL RESULT IN DAMAGE TO THE MACHINE. ALWAYS FOLLOW THESE NOTICES:

- Do not be timid. A rapid movement of the Engagement Handle is necessary for the Rack and Pinion to engage and disengage fully without damage.
  - The Engagement Handle should never be stopped in any location between the fully forward or fully backward positions.
  - Do not hold the Handle in the forward position when the Ram stops moving forward. Always pull the Engagement Handle RAPIDLY to the back (Auto-Retract) position as soon as the Log is split or when the Ram is at the end of the stroke or when the Ram stops moving forward due to a tough log.
- 

1. Place the log on the Log Splitter. Grasp the log on the sides near the middle of the block. Center the log, side-to-side, on the rail of the Log Splitter, making sure that one end is against the Splitting Wedge.
- 

### CAUTION

- The engagement Handle must be held fully in the Split Position against the hard stop when splitting. Failure to do so may result in kickback of the Handle.
- 
2. With one hand, actuate and hold the safety lever towards you, then **RAPIDLY** actuate the Engagement Handle fully towards the engine until it contacts the hard stop and hold firmly until the Log is split
  3. **IMMEDIATELY AFTER** the log is split, actuate and hold the Engagement Handle to the Auto-Retract position to allow the Ram to return. If the Ram stops before the end of the stroke while splitting a tough log, quickly actuate the Engagement Handle back to the Auto-Retract position.

### *Splitting Tough Logs*

If the Ram stops before the end of the stroke while splitting a tough Log, quickly actuate the Engagement Handle back to the Auto-Retract position. Let the Ram return and allow the Flywheels to gain momentum for another full power split.

## Maintaining the KINETIC LOG SPLITTER

---

Regular maintenance is the way to ensure the best performance and long life of your machine. Please refer to this manual for proper maintenance procedures.

---

### **WARNING**

Before performing any maintenance procedure or inspection, stop the motor, unplug the power cord and wait five minutes to allow all parts to cool.

---

### **Regular Maintenance Checklist**

PROCEDURE	Before each use	Every 5 hours	Every 25 hours	Every 100 hours
Check engine oil level	Δ			
Check general equipment	Δ			
Grease teeth on the rack	Δ			
Check belts	Δ			
Grease teeth of pinion	Δ			
Clean engine exterior and cooling		Δ		
Change engine oil	First time 5hours		Δ	
Replace air filter			Δ	
Replace spark plug				Δ

---

## Engine Service

Refer to the engine manufacturer's user manual for engine maintenance.

---

## Lubrication

---

### **NOTICE**

All Bearings of your Splitter are sealed units and should have sufficient lubricant to last the life of your machine with normal use.

---

## Greasing the rack and Pinion

---

### **NOTICE**

All the rack and pinion should be greased before every use.

---

### **WARNING**

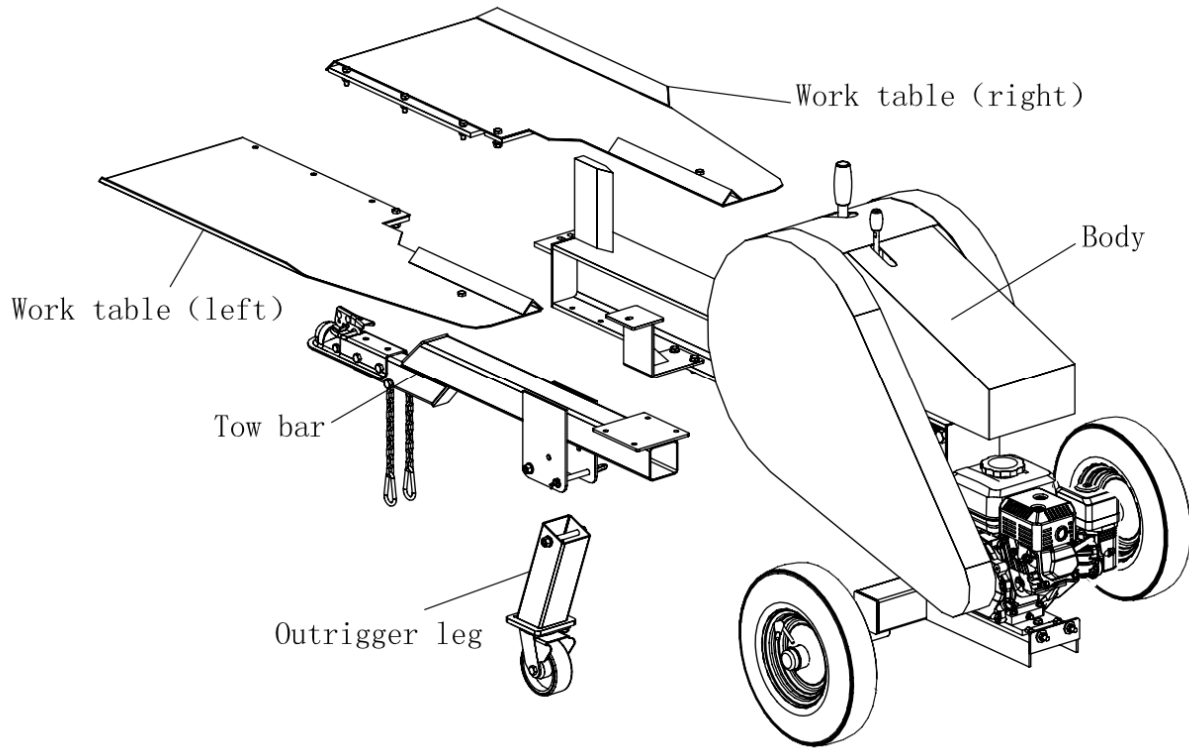
Before performing any maintenance procedure or inspection, stop the engine, wait five minutes to allow all parts to cool. Disconnect the spark plug wire, keeping it away from the spark plug.

## Troubleshooting Table

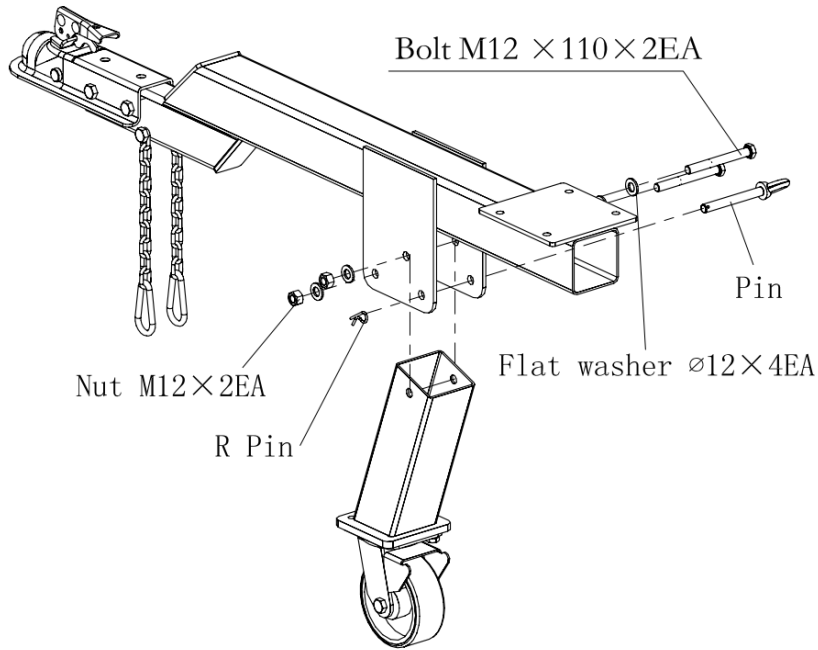
<b>SYMPTOM</b>	<b>POSSIBLE CAUSE</b>
<p>The engine won't start.</p> <p>(Please refer to the engine user manual for engine-specific procedures.)</p>	<ul style="list-style-type: none"> <li>⇒ Is the ignition switch in the "ON" position?</li> <li>⇒ Is the fuel shut-off valve on?</li> <li>⇒ Are you using fresh, clean gas? If the gas is old, change it. Use a fuel stabilizer if you keep gas longer than 30 days.</li> <li>⇒ Is the spark plug clean? If the spark plug is dirty or cracked, change it. If it's oily, leave it out, hold a rag over the plug hole and pull the recoil cord several times to blow out any oil in the cylinder, then wipe off the plug and reinsert it.</li> </ul>
<p>The engine lacks power or is not running smoothly.</p> <p>(Please refer to the engine user manual for engine-specific procedures.)</p>	<ul style="list-style-type: none"> <li>⇒ Check that the Throttle Lever is in the "Run" position.</li> <li>⇒ Is the air filter clean? If it's dirty, change it following the procedure in the engine manufacturer's owner's manual.</li> <li>⇒ Is the spark plug clean? If it's fouled or cracked, change it. If it's oily, leave it out, hold a rag over the plug hole and pull your recoil cord several times to blow out any oil in the cylinder, then wipe off the plug and reinsert it.</li> <li>⇒ Are you using fresh, clean unleaded gas? If it's old, change it. Use a fuel stabilizer if you keep gas longer than 30 days.</li> <li>⇒ Does your engine have the right amount of clean oil? If it's dirty, change it following the procedure in the engine manufacturer's owner's manual.</li> <li>⇒ Check the oil level and adjust as needed.</li> </ul>
<p>Engine smokes.</p> <p>(Please refer to the engine user manual for engine-specific procedures.)</p>	<ul style="list-style-type: none"> <li>⇒ Check the oil level and adjust as needed.</li> <li>⇒ Check the air filter and clean or replace if needed.</li> <li>⇒ You may be using the wrong oil—too light for the temperature. Refer to your Engine Owner's Manual for detailed information.</li> <li>⇒ Clean the cooling fins if they're dirty.</li> </ul>
<p>Rack catching on tail tube (at end of stroke).</p> <p>Rack returning very slow or not going all the way back.</p>	<ul style="list-style-type: none"> <li>⇒ Adjust carriage hold downs (slide guides).</li> <li>⇒ Check for wood chips or debris between ram bushing plate and beam.</li> <li>⇒ Check rack lift bearing for alignment or damage.</li> <li>⇒ Return spring is unhooked or damaged. Reconnect or replace as needed.</li> <li>⇒ Machine wedge end too low. Must be almost level or wedge end slightly higher.</li> </ul>
<p>Operator Lever Snapping out of gear or not staying in gear.</p>	<ul style="list-style-type: none"> <li>⇒ Lever not all the way forward when rack comes under full load. Push lever quicker and more forcefully into the full forward position.</li> <li>⇒ Ram has been overloaded at lower part of face. Check rack gear for straightness.</li> </ul>
<p>Rack slamming back too fast.</p>	<ul style="list-style-type: none"> <li>⇒ Wedge end of machine too high. Must be almost level with ram end or just slightly higher.</li> <li>⇒ Springs not operating properly. Fix or replace as needed.</li> </ul>
<p>Machine does not seem to have full splitting power.</p>	<ul style="list-style-type: none"> <li>⇒ The belts may be too loose and slipping. Adjust or replace belts as needed.</li> </ul>
<p>Operator Lever not engaging rack with pinion gear.</p>	<ul style="list-style-type: none"> <li>⇒ Clean wood chips or other debris from under rack.</li> <li>? ⇒ Clean accumulated dirt from frame where carriage assembly rests against rubber bumpers.</li> </ul>



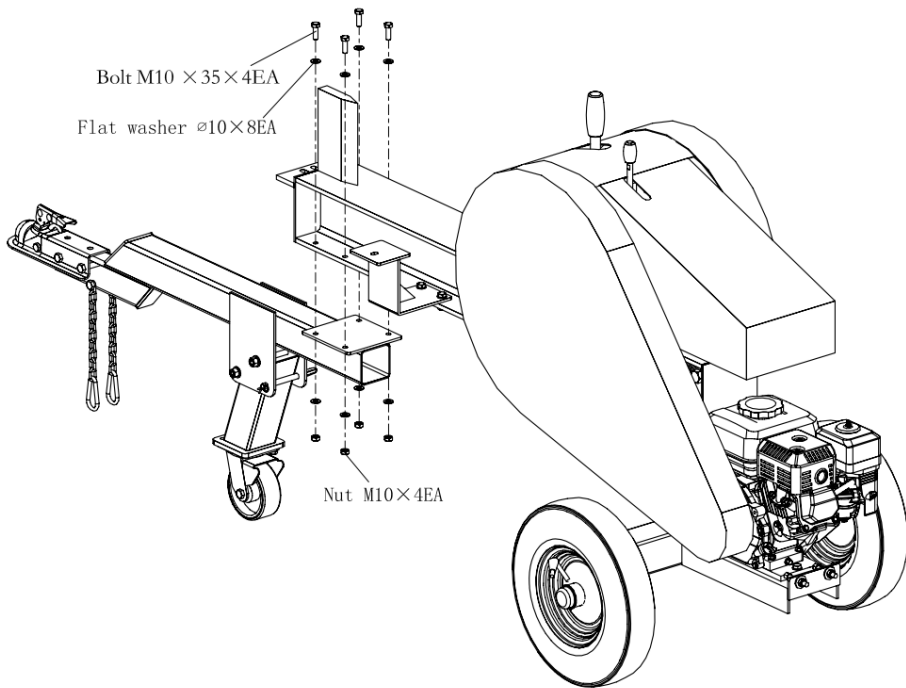
# Components in the package



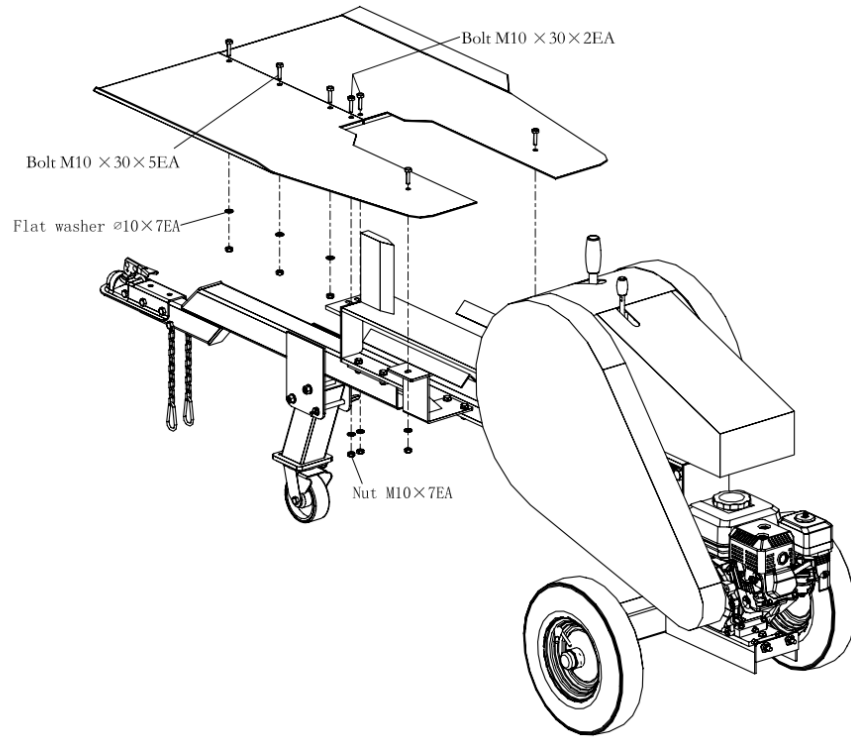
# Assembly



Step 1

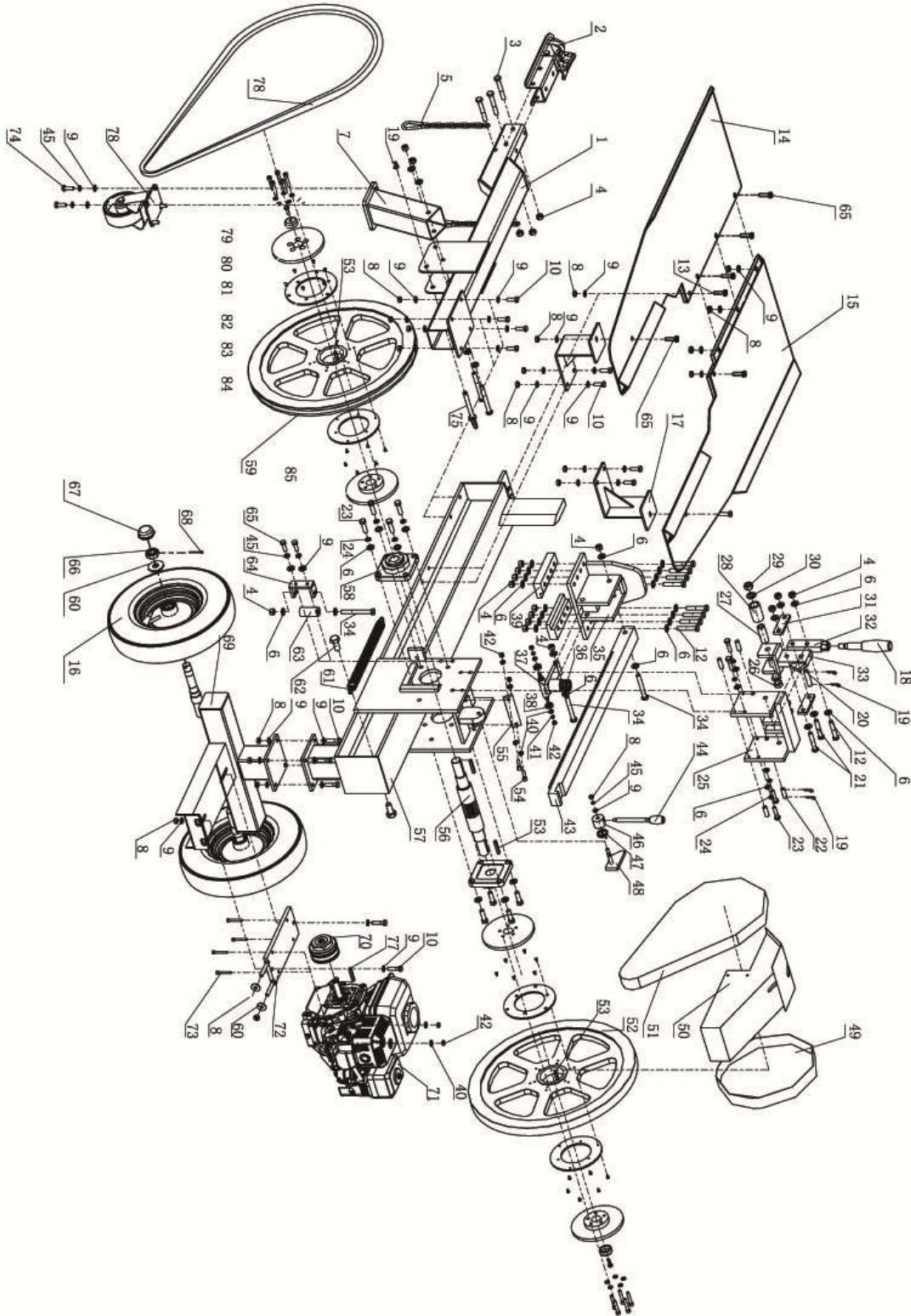


Step 2



Step 3

# Exploded view and part list



No.	Description	Qty	No.	Description	Qty
1	Tow bar	1	44	Safety lever	1
2	Hitch coupler	1	45	Spring washerφ10	5
3	Hex bolt M12x80	3	46	Spring housing	1
4	Nut M12	20	47	Spring	1
5	Safety chain	2	48	Safety block	1
6	Flat washerφ12	46	49	Flywheel guard	1
7	Outrigger leg	1	50	Mainframe guard	1
8	Nut M10	35	51	Pulley guard	1
9	Flat washerφ10	65	52	Flywheel	1
10	Hex Bolt M10x35	14	53	Key 8x7	2
11	Hex bolt M12x110	3	54	Hex bolt M8x3	4
12	Hex Bolt M10x25	2	55	Shock pad	1
13	Hex Bolt M8x45	2	56	Pinion driver	1
14	Left work table	1	57	Body	1
15	Right work table	1	58	Bearing housing	2
16	Hex bolt M10x100	2	59	Flywheel for belt	1
17	Table support	2	60	Flat washerφ8	4
18	Operation handle grip	1	61	Tension spring	2
19	R pin	10	62	Hex bolt M16x30	2
20	Hinge pin	1	63	Sider roller	2
21	Hex bolt M12x55	11	64	Bracket for side roller	2
22	Locating pin	4	65	Hex bolt M10x30	18
23	Hex bolt M12x30	12	66	Nut 8-1/2-20UNF	8
24	Spring washerφ12	1	67	Wheel	2
25	Housing	1	68	Torsion shaft	2
26	Hex bolt M16x100	1	69	Wheel bracket	1
27	Bushing	1	70	Clutch	1
28	Roller	1	71	Engine	1
29	Nut M16	1	72	Engine block	1
30	Flat washerφ16	2	73	Hex bolt M6x40	4
31	Lever	2	74	Foot pad	1
32	Operating lever	1	75	Flat washerφ6	4
33	Press device	1	76	Hex bolt M6x20	4
34	Hex bolt M12x90	3	77	Engine flat key	1
35	Pusher	1	78	Vee-belt	1
36	Spring	1	79	Inner Hex bolt M8x45	10
37	Restoration device	1	80	Dish Spring Washer φ8	20
38	Bearing 628	2	81	Stop cap	2
39	Track Slab	2	82	Front Friction Platen	2
40	Spring washerφ8	10	83	Cross groove bolt	24
41	Flat washerφ8	2	84	Clutch disc	4
42	Nut M8	8	85	Back Friction Platen	2
43	Rack	1			



## RETURN / WARRANTY POLICY

Thank you for choosing QVTOOLS Products. We're here to ensure that your experience is perfect.

In some rare instances, you may need some help with a warranty claim please call us at 1-800-344-3371.

### **Engine Warranty**

Kohler engines are covered with a 3 year commercial warranty for command pro series. Parts and Labor are covered.

Power King engines by Lifan are covered with a 3 year residential warranty. 1 year commercial warranty. Parts and Labor are covered. QVpower 3pt 40hp gear box warranty 1 year, Visit your engine manufacture for warranty details or visit [www.QVtools.com](http://www.QVtools.com)

### **Equipment warranty**

Manufactures defects of chassis and components parts are covered for 30 days. Parts only are covered.

Qvtools will repair or replace at its' option, any part that is proven to be defective in material or workmanship. This warranty is not valid for products or parts affected or damaged by accident, collision, normal wear, fuel contamination, abuse, neglect, misuse, alteration and/or unsuitable use or unauthorized parts replacement. Transportation charges to and from service centers if assigned is not covered. Shipping cost of product for repair is not covered. Labor to repair equipment is not covered. Parts not covered under warranty are: belts, springs, tires and rims, chainsaw chains, bars, carburetors, and electronics. Equipment cutting teeth and blades, throttle and throttle cables, brakes, and cables. Power King has all replacement parts at value pricing for replacement parts needed.

### **Damaged Products**

You must take the time to inspect the goods before you sign the delivery receipt from the carrier. If you sign the delivery receipt without inspecting the shipment you will be responsible for filing a freight claim and arranging for a repair or return of the damaged goods.

Concealed damage claims must be reported immediately.

#### *Suspect Damage*

On occasion, the outer carton may look damaged, but the product inside the box is perfectly fine. If you suspect concealed damage, **notate "Possible Freight Damage" on the delivery receipt while the driver is present.** This way, if you discover later that the product is damaged, the remedy of a freight claim is less of a hassle.

#### *Obvious Damage*

Do not sign for damaged products. If your product arrives damaged, please **(a) REFUSE DELIVERY** and **(b) Call where you purchased the item Immediately** so the dealer can process the appropriate claims and coordinate an exchange for you.

### **Defective Products**

We encourage you to test your product within 15 days of receipt so we can quickly remedy any mechanical problems. If you think your product is defective, don't worry.

In most cases, it's a simple issue that can be resolved over the phone. You are also welcomed to contact QVTOOLS customer service departments. They have expert technicians standing by to help solve your issue. Please have your model number and serial number available and your proof of purchase receipt for fastest service.

### **Original owner warranty**

Warranty is non-transferable and covers the original owner only who purchased from a QVTOOLS authorized dealer. This revised warranty is in effect for all products purchased after August 31<sup>st</sup>, 2017.

QVTOOLS, LLC 2731 CRIMSON CANYON DRIVE, LAS VEGAS, NV. 89128 1-800-344-3371