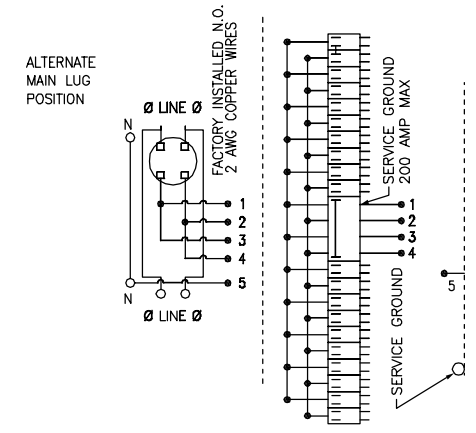
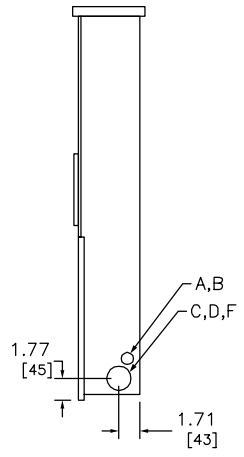
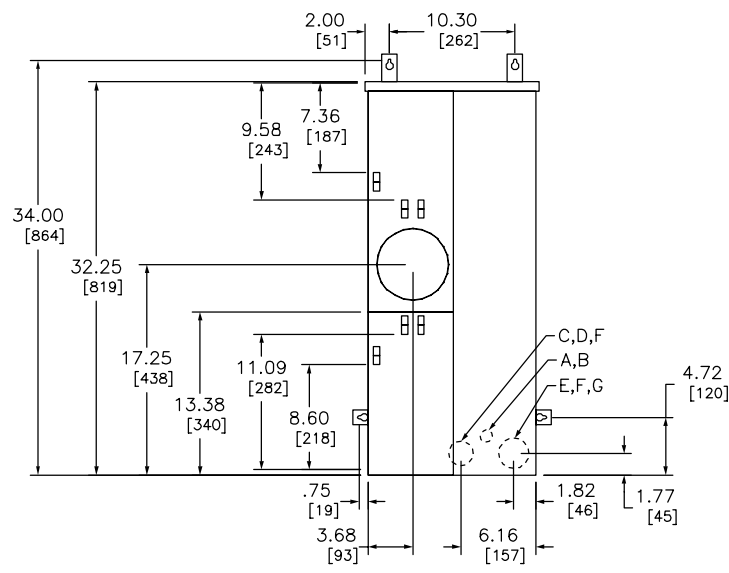


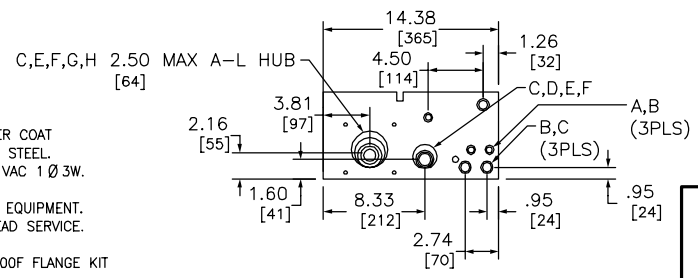
KNOCKOUTS		
SYMBOL	CONDUIT SIZE	
	IN	MM
A	.50	13
B	.75	19
C	1.00	25
D	1.25	32
E	1.50	38
F	2.00	51
G	2.50	64
H	3.00	76



TWO SINGLE POLE, ONE PLUG-ON SPACE TYPE HOMT OR ONE SINGLE POLE, ONE PLUG-ON SPACE TYPE HOM. TWO POLE TYPE HOM, HOMA OR HOMT MAY PLUG-ON TWO ADJACENT SPACES. BRANCH BREAKER IS LIMITED TO 100A MAX.
 A SQUARE D UL LISTED SECONDARY SURGE ARRESTER MAY PLUG ON TWO ADJACENT SPACES. ORDER CATALOG NO. HOM2175SB

SC2040M200C

DUAL DIMENSIONS: INCHES MILLIMETERS



NOTES:
 FINISH - GRAY BAKED ENAMEL POWDER COAT
 PAINT OVER CLEANED GALVANNEALED STEEL.
 MAXIMUM SYSTEM VOLTAGE: 120/240 VAC 1 Ø 3W.
 UL LISTED - FILE E-6294
 SUITABLE ONLY FOR USE AS SERVICE EQUIPMENT.
SUITABLE FOR UNDERGROUND/OVERHEAD SERVICE.
 MEETS EUSERC SPECIFICATIONS.
 CONVERTIBLE TO SEMIFLUSH WITH SC200F FLANGE KIT

AMPERE RATING	FACTORY INSTALLED BYPASS TYPE	SHORT CIRCUIT CURRENT RATING	CATALOG NUMBER	SERIES	SPACES	MAXIMUM NUMBER OF SINGLE POLE HOM CIRCUITS	LINE SIDE PHASE & NEUTRAL LUGS (AWG/KCMIL)	SERVICE GROUND LUG (AWG/KCMIL)
200	NONE	10K	SC2040M200C	002	20	40	#6-300	#14-1/0

COMBINATION SERVICE ENTRANCE DEVICES
 RING TYPE ALL-IN-ONE
 RAINPROOF NEMA TYPE 3R ENCLOSURE
 SURFACE/SEMI FLUSH

DWG# 1973
 NO.