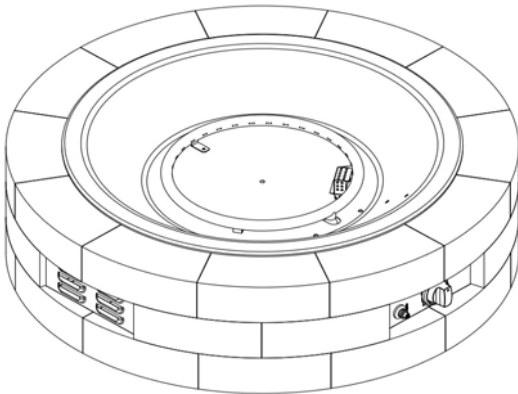


OWNER'S MANUAL

! READ BEFORE USE!

Model No.: BHDIY-003

Item No.: 66926



! WARNING:

- Do not store or use gasoline or other flammable vapors and liquids in the vicinity of this or any other appliance.
- An LP cylinder not connected for use should not be stored in the vicinity of this or any other appliance.
- Service must be performed by a qualified installer, service agency or the gas supplier.

! DANGER

IF YOU SMELL GAS:

1. Shut off gas to the appliance
2. Extinguish any open flame
3. If odor continues, keep away from the appliance and call your gas supplier or fire department immediately.



Design certified under ANSI Z21.97
 • CSA 2.41-(2014) Requirements for Outdoor Gas Fireplaces

! WARNING: For Outdoor Use Only!

Use Liquid Propane Gas (LP-Gas) Only!

Propane cylinders sold separately.

! WARNING:

Improper installation, adjustment, alteration, service or maintenance can cause injury or property damage. Read the owners manual thoroughly before installing or servicing this equipment. If the information in this manual is not followed exactly, a fire or explosion may result causing property damage, personal injury or loss of life. Save these instructions for future use. If you are assembling this unit for someone else, give this manual to him or her to read and save for the future.

! WARNING:

Turn off gas supply when the appliance is not in use.

If the appliance is stored indoors, detach and leave LP-Gas cylinder outdoors.

! WARNING:

This appliance must be attended at all times!

! WARNING:

Battery may contain mercury. Do not deposit in fire or put in trash. Recycle the battery as hazardous waste.

! WARNING:

The propane cylinder must be disconnected when appliance is not in use.

! DANGER

CARBON MONOXIDE HAZARD



This appliance can produce carbon monoxide which has no odor.

Using it in an enclosed space can kill you.

Never use this appliance in an enclosed space such as a camper, tent, car or home.

SAFETY INFORMATION

Please read and understand this entire manual before attempting to assemble, operate or install the product. Failure to follow the dangers, warnings and cautions contained in this owners manual may result in a fire or explosion causing damage to property, serious bodily injury or death.

WARNING

- The installation of this product must conform with local codes or, in the absence of local codes, with either the National Fuel Gas Code, ANSI Z223.1/NFPA 54, OR CAN/CGA-B149.1, National Gas and Propane Installation Code.
- **FOR OUTDOOR USE ONLY!** This appliance shall be used only outdoors in a well-ventilated space and shall not be used in a building, garage, or any other enclosed area.
- **USE PROPANE GAS ONLY!**
- Use only with a propane gas tank (sold separately). Do not attach to a remote gas supply.
- Propane gas is not natural gas. Only use propane gas for this fire pit.
- The conversion or attempted use of natural gas in a propane unit or propane gas in a natural gas unit is dangerous and not recommended. Doing so may void your warranty.
- Never use charcoal or any other solid fuel in the fire pit.
- During ignition procedure, you should never get your face close to the burner as an unnoticed flame may light up and cause injury.
- **LP GAS WARNING:** Do not exceed 1/4 in. depth of pumice stones directly above burner holes. Applying too much media may result in unburned gas pooling in fire pit. Ventilation is required to allow fresh air into enclosure and for any residual gas to escape.
- If you see, smell or hear the hiss of escaping gas from the propane gas tank: 1. Disconnect propane gas tank. 2. Do not attempt to correct the problem yourself. 3. Get to your gas supplier and/or the fire department for help.
- Do not operate the fire pit if there is a gas leak present.
- Never use a flame to check for gas leaks.
- The max. inlet supply pressure: max. gas supply 11 inch w.c. (2.74kPa).
- The gas pressure regulator provided with the fire pit must be used.
- Use LP propane gas tanks only with these required measurements: 12 in. (diameter) x 18 in. (tall) with 20 lb. capacity maximum.
- Propane tank used must include a collar to protect the propane gas tank valve.
- Never fill the propane gas tank beyond 80% full.
- Propane gas tank supply system must be arranged for vapor withdrawal.
- Do not use a propane gas tank with a damaged valve and any other worn out parts. A dented or rusty propane gas tank may be hazardous and should be checked by your gas supplier prior to use.
- Do not burn any other materials than are supplied with and intended for use in this fire pit.
- Pumice stones could hit somebody's face or eyes during initial start of this unit, so please keep away from the fire pit for the first 20 minutes after it has been ignited.
- Do not operate fire pit unless it is completely assembled and all parts are in place.
- Pay attention when operating the fire pit. It is hot when in use and should never be left unattended. Do not move it while in operation.
- Do not use this fire pit for cooking.
- Do not put any other fireplace cover or anything flammable on, beneath or around the fire pit.
- Users should be alerted to the hazards of high surface temperatures and keep a safe distance to avoid burning or clothing ignition.
- Do not sit on the fire pit. Do not rest feet or hands on the fire pit.

SAFETY INFORMATION

- Never lean over the open fire pit or place hands or fingers on the upper portion of an operational unit.
- Keep any electrical supply cords and the fuel supply hose away from any heated surfaces.
- Combustible materials should never be within 72 inches of the top, 48 inches of the back or sides of the fire pit.
- This fire pit must be attended at all times!
- Should the fire go out while burning, turn the gas valve off. Follow the instructions and wait five minutes before attempting to relight.
- Do not use this fire pit if any part has been under water.
- Do not pour water into fire pit.
- Immediately call a qualified service technician to inspect the appliance and to replace any part of the control system and any gas control which has been under water.
- Do not light or use gas unit if pumice stones are wet. Ensure pumice stones are completely dry before igniting as intense heat could cause the stones to crack or pop.
- Do not attempt to disconnect the gas regulator or any gas fittings while your fire pit is in operation.
- Do not handle fire pit until it is shut off and completely cooled.
- The propane gas tank must be disconnected when fire pit is not in use.
- Do not store a spare or disconnected propane gas tank under or near this fire pit, or in the vicinity of any other appliance.
- If the fire pit is stored indoors, detach and leave propane gas tank outdoors.
- Remove the battery when not using the fire pit for an extended length of time.
- Clean the battery contacts and also those of the device prior to battery installation.
- Do not enlarge valve orifices or burner ports when cleaning the valve or burner.
- Do not use this fire pit on vehicles or boats. Always operate the appliance on flat ground outdoors.
- Remove the PVC cover from the fire pit before operating the appliance.
- Do not lay the PVC cover over the fire pit until it is turned off and completely cooled down.
- After a period of storage and/or non-use, the propane fire pit should be checked for gas leaks and burner obstructions before use.
- **The propane fire pit should never be used by children. Children must be supervised when they are anywhere near the appliance.**
- Please keep gas tank a minimum of 5 feet away from fire pit when lit.
- The maximum gas supply pressure is 250psi.
- **Clothing or other flammable materials should not be hung from the appliance, or placed on or near the appliance.**
- **Any guard or other protective device removed for servicing the appliance must be replaced prior to operating the appliance.**
- **All installation and repair should be done by a qualified service person. This appliance should be inspected annually. More frequent cleaning may be required as necessary. It is imperative that the control compartment, burners and circulating air passageways of the appliance be kept clean.**
- Inspect the burner before each use of this fire pit. If there is evidence of damage, the burner must be replaced prior to use of this fire pit.
- Inspect the hose before each use of this fire pit. If the hose shows signs of cracks, abrasion, cuts or damage, do not use this fire pit. Fix the hose as required before using appliance.
- Remove the hose out of pathways where it may be tripped over or subject to accidental damage.
- **Children and adults should be alerted to the hazards of high surface temperatures and**

SAFETY INFORMATION

should stay away to avoid burns or clothing ignition.

- **Young children should be carefully supervised when they are in the area of this appliance.**
- The LP gas supply tank must be constructed and marked in accordance with the specifications for LP gas tanks of the U.S. Department of Transportation (DOT) or the National Standard of Canada CAN/CSA-B339, LP gas tanks, spheres and tubes for the Transportation of Dangerous Goods; and Commission.
- The LP gas tank must have a listed overfilling prevention device (OPD) and a QCCI or Type I, (CGA810) LP gas tank connection.

Caution:

Only use the pressure regulator and hose assembly supplied with this fire pit. Replacement pressure regulator and hose assemblies must be specified or supplied by BOND MANUFACTURING CO.

Inspect the burner before each use of the appliance. If the burner shows signs of damage of any kind, do not operate the appliance. Fix or replace the burner as required before using the appliance. For assistance with repair or replacement of the burner, call Bond Manufacturing at 1-866-771-2663. Use only replacement parts from the manufacturer.

Caution: This heating item should not be used on plastic composite or artificial wood decks.

WARNING !

* Do not light or use gas unit if lava rocks are wet. Ensure lava rocks are completely dry before igniting as intense heat could cause the rock to crack.

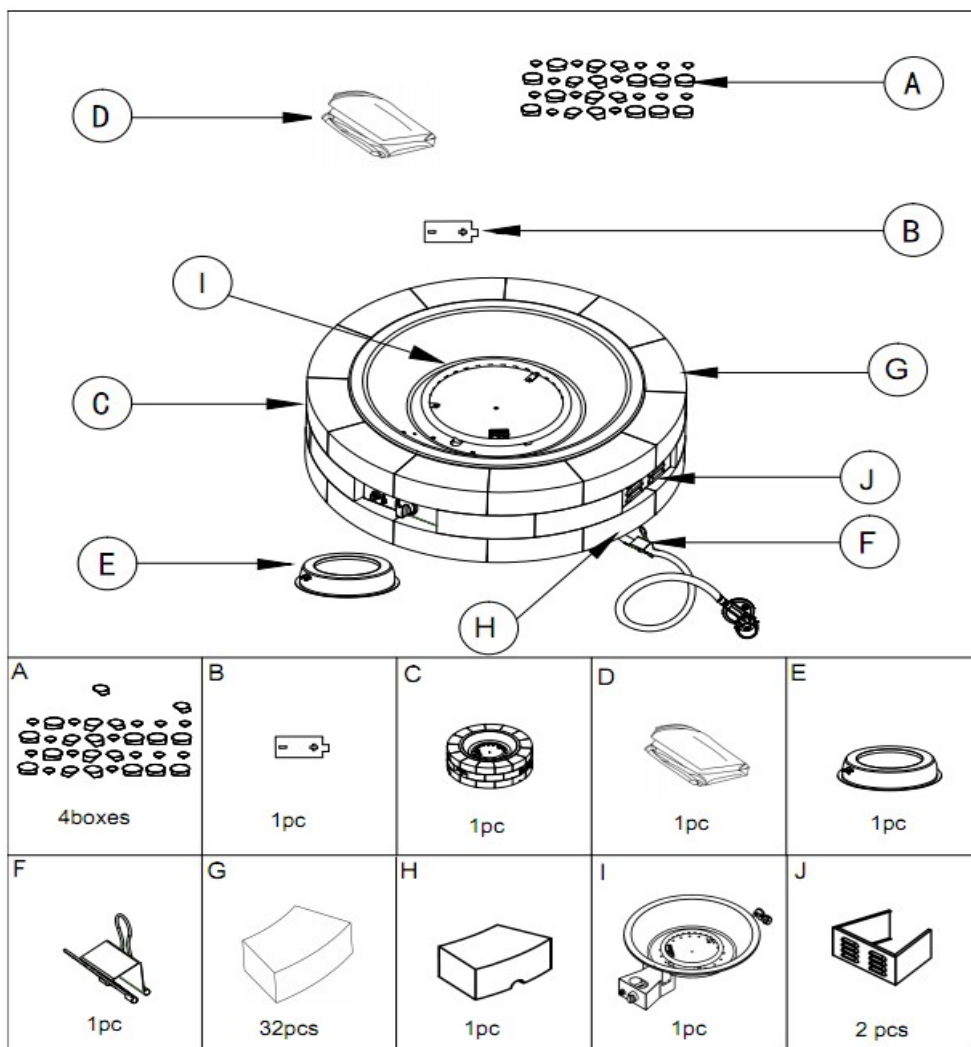
* Lava Rocks could hit someone's face or eyes during initial start of this unit , so please keep away from the firebowl for the first 20 minutes after it has been ignited.

Warranty and Installation Information:

The Bond warranty will be voided by, and Bond disclaims any responsibility for, the following actions:

- ▶ Modification of the firebowl and/or components including the gas valve assembly.
- ▶ Use of any component part not manufactured or approved by Bond.
- ▶ Use and Installation other than as instructed in this manual.

ACCESSORIES



ITEM	DESCRIPTION	QTY
A	Lava Rocks	4 boxes
B	Battery (AAA)	1pc
C	Body(after assembled)	1pc
D	PVC cover	1pc
E	Tank Seat	1pc

ITEM	DESCRIPTION	QTY
F	Gas hose clip	1pc
G	Common bricks	32pcs
H	Slot brick	1pc
I	Firebowl	1pc
J	Steel vent bricks	2pcs

ASSEMBLY INSTRUCTIONS

*Please keep the owner's manual for future reference

*If you have opened the carton and removed all packages, please disregard STEP 1 and 2. For assembling see STEP 3 and 4 directly.

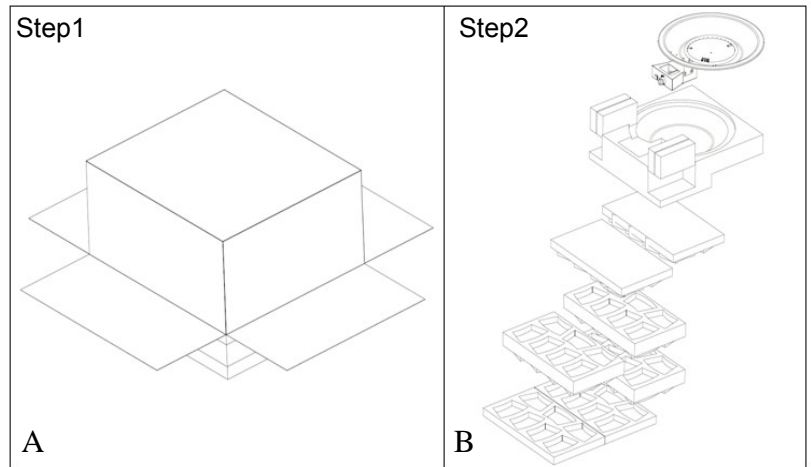
STEP 1

(1) Open the carton and turn it upside down, and make sure the 4 pieces of the carton are opened up as shown on the right.

(2) Lift off the carton carefully and be wary of the accessories inside falling out. Take out the boxes containing lava rocks.

(3) Take all the packing materials out except for the polyfoam rounding the top of the firebowl.

See Figure A.



STEP 2

(1) Turn the firebowl heads up on a flat ground.

(2) Cut off the binding tape on the polyfoam board and remove all the polyfoam board rounding the top of the firebowl.

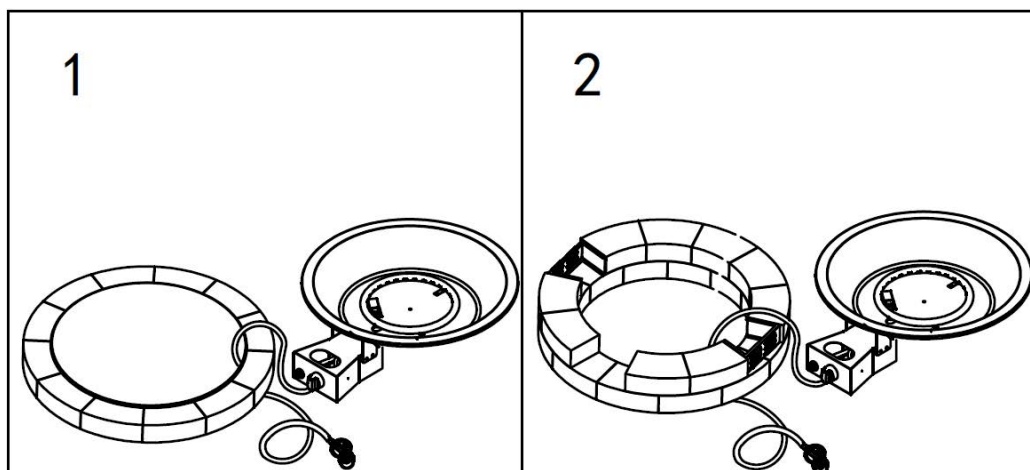
(3) Cut off the tie fastened regulator and set it free for installation to propane tank.

STEP 3

(1) Select a suitable place to build the DIY fire pit, making sure the ground is flat before building.

(2) Build the first layer ring with 11 common bricks (G) and one slot brick (H) used for the gas hose opening. Place the bricks one by one to create a circle, making sure the slot brick is not towards the side of where you want to place the control panel. Put the firebowl (I) beside the brick ring and insert the gas hose through the slot underneath the slot brick (H), making sure the regulator is on the outside of the ring. **See Figure 1.**

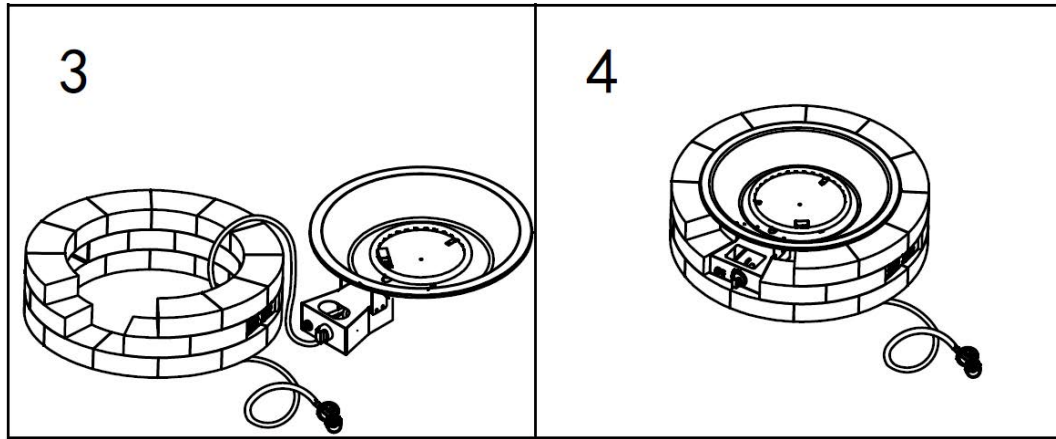
(3) Build the second layer of the ring, with 9 common bricks (G) and two steel vent bricks (J). Place the bricks one by one on the first layer ring and take out one brick on the front side to lay the control plate (attached to the firebowl) and put the two steel vent bricks (J) on the left and right side of the ring individually. Make sure the bricks intersect with the first layer bricks. **See Figure 2.**



(4) Build the third layer of the ring with 10 common bricks (G). Place the bricks one by one on the second layer ring, except for the two bricks touching the gap in Figure 2.

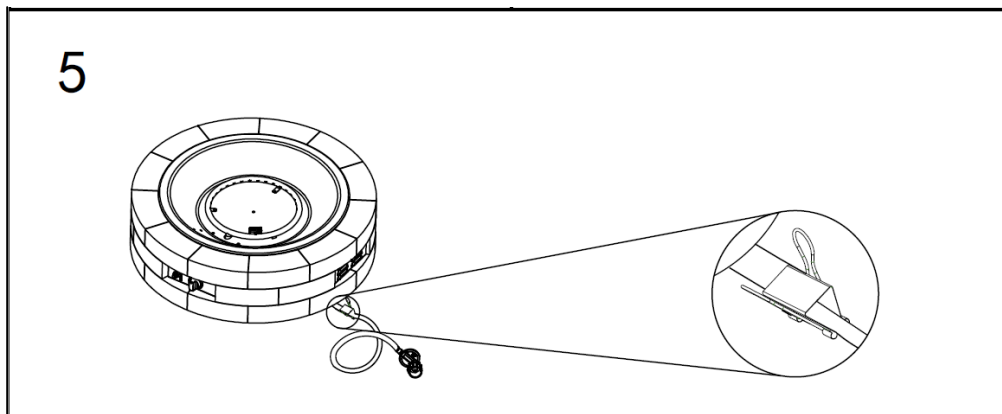
See Figure 3.

(5) Install the firebowl (I) in the middle of brick ring, making sure the lip edge of the bowl is on the top of the bricks. The control panel will sit in the gap made in step 3. **See Figure 4.**



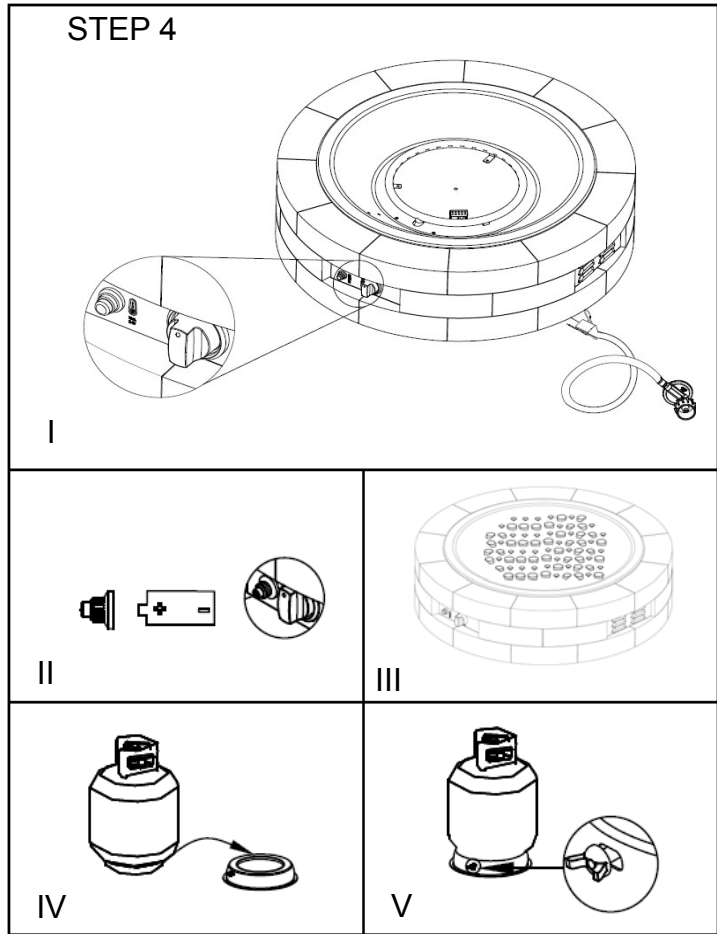
(6) Put the two final common bricks (G) on the empty position above the control plate. Then pull-out the overmuch hose in the brick ring and clamp the clip (F) on the gas hose beside the slot brick (H) to avoid the gas hose to be inserted too long into the brick ring. **See**

Figure 5.



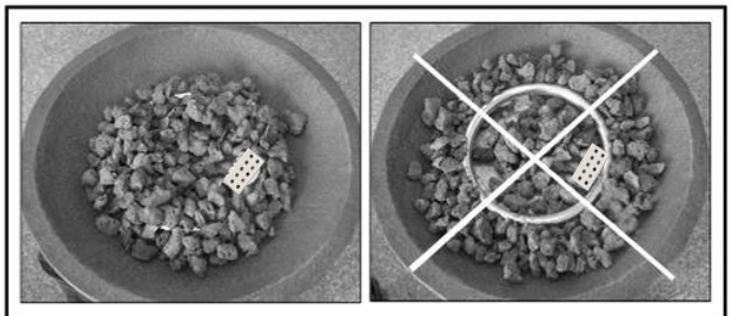
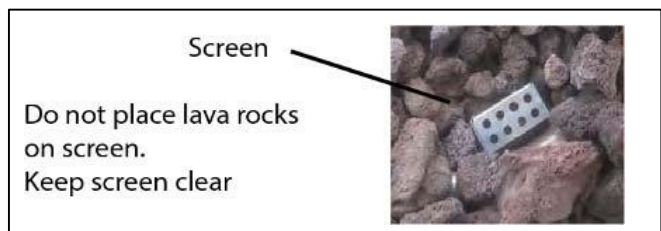
STEP 4

- (1) Check each part before using the product. Make sure the gas supply system is turned "OFF" before assembling. **See Figure I.**
- (2) Put the gas tank in the tank seat. Make sure the gas tank sits on the tank seat completely. Turn the wing screw on the outer part of tank seat clockwise to secure the gas tank tightly. **See Figure IV, V.**
- (3) Locate the battery and remove the plastic cover first. Unscrew the rubber cap of the Electric Igniter, place a AAA battery into the battery case. Make sure the positive pole ("+") is towards the cap. Screw the cap back to the battery case tightly. **See Figure II.**
- (4) Open the lava rock boxes, evenly distribute the lava rocks in the top of the firebowl. **See Figure III.**



⚠ WARNING:
**** DO NOT COVER THE IGNITION SCREEN** when placing the lava rocks into the firebowl. Always keep Ignition Screen visible. This screen must be clear and free of obstructions at all times to insure proper operation.

The burner of the firebowl must be covered by lava rocks completely. Otherwise the flame may be extinguished partially. See the Figure CORRECT and INCORRECT for reference.



CORRECT

INCORRECT

LP (Liquid Propane) gas supply connection

- Always confirm that the burner control knob is in the "OFF" position before connecting the gas supply.
- Do not obstruct the flow of combustion air and ventilation air to the appliance.

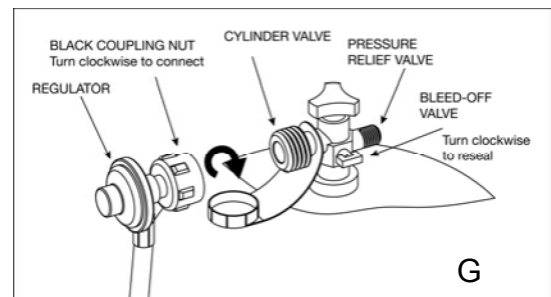
To Connect:

- Ensure that there is no debris caught in the head of gas cylinder, head of the regulator valve.
- Insert the nipple of the valve coupling into the cylinder valve and tighten the black coupling nut by turning it clockwise with one hand while holding the regulator with the other hand. (See Figure G.) **Hand tighten only.**



To Disconnect:

- Always confirm that the cylinder valve is in the "OFF" position before disconnecting the gas supply.
- Hold the regulator with the one hand and loosen the black coupling nut by turning it counterclockwise with the other hand.



IMPORTANT

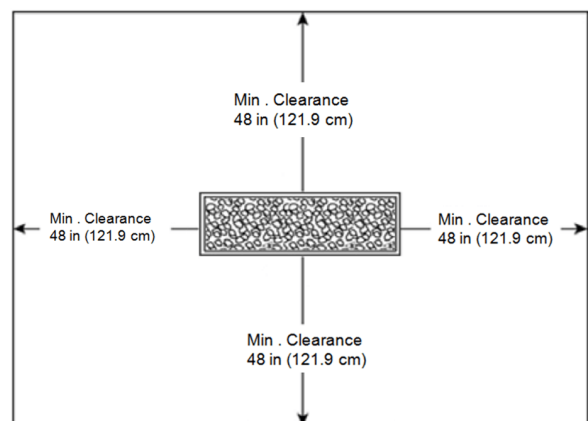
- Disconnect the propane cylinder from the regulator valve when the appliance is not in use.

SELECTING A LOCATION

Always place this outdoor appliance on a hard, level non-combustible surface such as concrete, rock or stone.

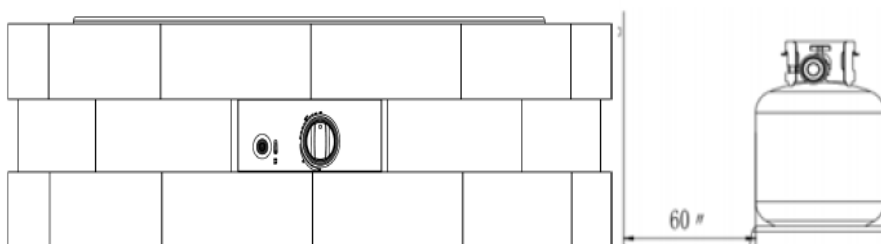
Minimum Clearance from Unit to Combustible Materials

72" (182.9 cm) from the top; 48" (121.9 cm) from all sides and back. Do not put this appliance under any overhead enclosure. Position the appliance so that you have easy access to the control knob.



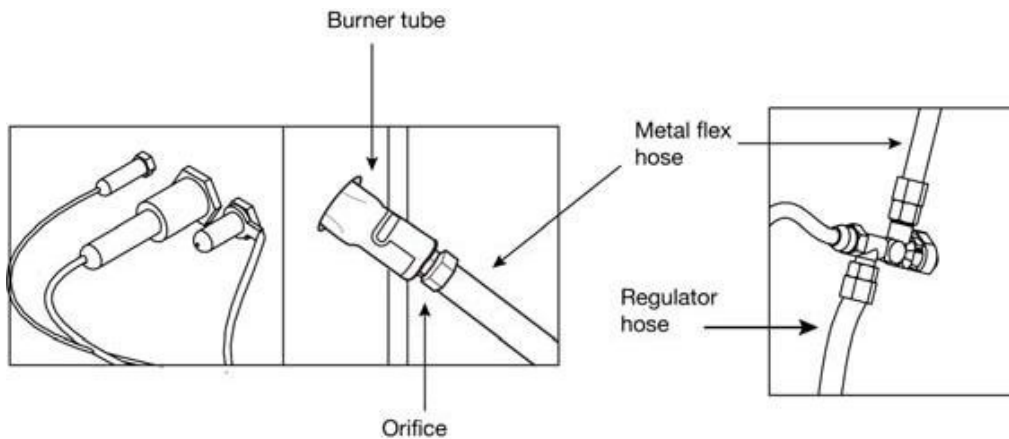
Cover must be removed when burner is in operation.

Fire pit and propane gas cylinder minimum distance must be over 60" (as per the below photo).



VISUAL CHECK

Prior to each use, check the hose and valve for excessive wear, abrasions or any damage.



LEAK TEST

1. Perform a leak test in a well-ventilated area outside.
2. Make sure any open flames or cigarettes are extinguished.
3. Remove the battery.
4. Ensure the burner control knob is in the "OFF" position.
5. In a bowl, create a soap solution using 1 part water and 1 part liquid detergent.
6. Apply the soapy water solution to all connections.
7. Open LP tank valve.
8. A gas leak will be detected by expanding bubbles originating from the point of the leak.
9. If a leak is found at any connection point or if you smell gas, close the tank valve, disconnect the tank and do not use the appliance until repairs can be made.

TO LIGHT

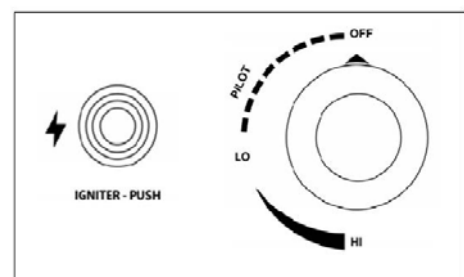
TIPS: Before Beginning

- Read and understand the instructions thoroughly.
- Check and make sure that all parts are present.
- For future reference, save this instruction sheet.

1. Locate the burner control knob and make sure it is in the "OFF" position.
2. Connect propane (LP) cylinder. (See above pages).
3. Open LP tank valve slowly.
4. Push in igniter button to create sparks at the electrode and hold.
5. Push and turn burner control knob counterclockwise to the "PILOT" position. Continue to push the control to light the pilot flame.

Note: For initial start or after any cylinder change, hold Control Knob IN for 2 minutes to purge air from gas lines before proceeding.

6. After ignition, release the igniter button. Continue to push the control knob for 45 seconds.
7. If ignition does NOT immediately take place on pilot burner in seconds, turn the burner control knob to "OFF", wait 5 minutes for gas to clear and repeat the lighting procedure. If pilot still will not light, refer to the Troubleshooting Section.

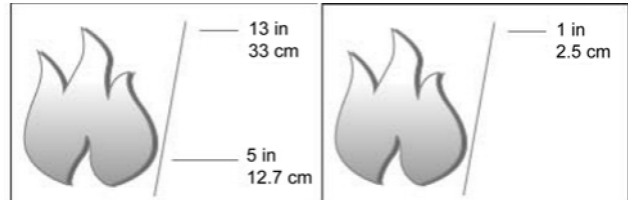


8. Once the pilot is lit, turn the burner control knob to "High" and "Low" positions. Main burner will light immediately. If not, turn the burner control knob to "OFF", wait 5 minutes for gas to clear and repeat the lighting procedure. If main burner still will not light, refer to the Troubleshooting Section.

9. Flame height can be changed by adjusting the burner control knob between the "High" and "Low" positions.

10. Always check burner and pilot flames periodically to ensure proper operation. Flames should be mostly yellow with some blue for best performance. (See diagrams)

Note: This appliance is equipped with a Pilot Light that allows for safer start-ups and shutdowns. Pilot must be lit before Main Burner can be started.



Main Burner Flame

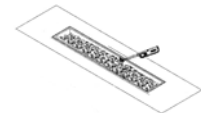
Pilot Flame

⚠ CAUTION

If the burner does not ignite with the burner control valve open, gas will continue to flow out of the burner and could accidentally ignite causing injury or property damage.

USING A LONG MATCH OR LIGHTER

1. Connect propane (LP) cylinder (See above pages).
2. Before lighting, move the lava rocks with a small shovel to allow access to the pilot located inside the screen.
WARNING: Lava rocks can become very hot. DO NOT touch unless they are completely cooled.
3. Locate the burner control knob and make sure it is in the "OFF" position.
4. Wearing heat resistant gloves, position a lit long match or lit long neck lighter close to the pilot. DO NOT lean over the burner while lighting.
5. Push and turn burner control knob to the "PILOT" position. The pilot should light immediately.
6. If the pilot does not light immediately, turn the burner control knob to "OFF", wait 5 minutes for gas to clear and repeat the lighting procedure. If pilot still will not light, refer to the Troubleshooting Section.
7. Flame height can be changed by adjusting the burner control knob between the "LOW" and "HIGH" positions.
8. Always check burner flames periodically to ensure proper operation. Flames should be mostly yellow with some blue for best performance.



TO EXTINGUISH

1. Push and turn burner control knob clockwise to the "PILOT" position. (Normally, burner will make a slight popping sound when extinguished). Main burner will extinguish but Pilot flame will remain ON.
2. To extinguish Pilot flame, depress Control Knob and continue to turn it clockwise to OFF.
3. Close the LP tank valve.
4. Disconnect the regulator from the LP tank to close the gas supply when not in use.
5. Make sure that the unit is completely cooled before touching any of the components or putting on the cover.

ROUTINE CARE

- Keep your appliance free and clear from combustible materials.
- Visually inspect burner for obstructions, keep tank enclosure free and clear from debris.
- After the burner and lava rocks are completely cooled down, use a soft brush to get rid of the mild stains, loose dirt and soil. Wipe with a soft cloth.

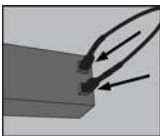
STUBBORN STAINS

- Stubborn stains, discoloration and possibly rust pitting can occur from exposure to harsh outdoor conditions.
- Be careful not let any powder or solvent come in contact with painted or plastic components as damage may occur.

MAINTENANCE

- Store the appliance in a cool dry place away from direct sunlight.
- Make sure both the gas and the appliance are turned off before changing battery. Please refer to the process of inserting battery.
- Protect your appliance with the cover when not in use.
- The propane cylinder must be disconnected and stored outdoors before the appliance can be stored indoors.
- Use Manufacturer approved or supplied replacement parts and accessories only. Otherwise may void the warranty of this product and result in a hazardous condition.
- Please contact the Manufacturer for information regarding replacement hoses, thermocouples, igniters, lava rocks, etc.

TROUBLESHOOTING

PROBLEM	CAUSE	CORRECTIVE ACTION
Pilot will not light	Igniter pin and burner are wet	Wipe dry with a cloth
	Igniter battery is incorrectly inserted.	Check that battery is correctly inserted.
	Igniter pin cracked or broken	Call customer service for replacement part
	Electrode wire is loose or disconnected	Reconnect wire to the igniter box located inside the table base behind the igniter button. 
	Electrode wire is shorting between valve and igniter pin	Call customer service for replacement part

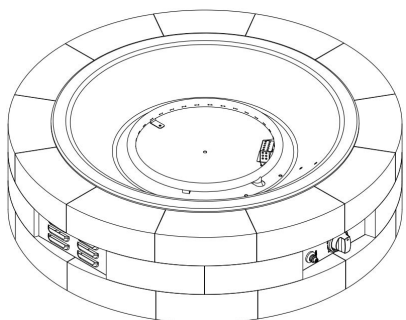
Pilot will not light using a match OR Main burner will not light after pilot is lit	No gas flow	Check if gas cylinder is empty. If yes, replace.
	Regulator is not fully connected to the tank	Check LP tank connection.
	Gas flow is obstructed	Check hose for bends or kinks
	Spider webs or insect nest in the venturi (end of burner tube) or pilot housing	Clean the venturi or pilot housing
	Burner ports are clogged	Insert an opened paperclip into each of the burner ports to clean them. Ensure the appliance is off and all parts are cooled before attempting to clean the burner ports
Appliance emits a lot of black smoke when lit	Flame is obstructed at burner ports	Make sure all the gas burner ports are free of any lava rocks or debris to allow the gas to flow freely.
	Regulator hose is pinched	Check the regulator hose for bends or kinks
Sudden drop in gas flow	No gas flow	Check if gas cylinder is empty. If yes, replace.
	Excess flow safety valve has been activated	Turn the control knob to "OFF", close the LP tank valve and disconnect the regulator from the tank. Turn the control knob to "HIGH". Wait 1 minute. Turn the control knob to "OFF". Reconnect regulator to LP tank. Open tank valve slowly. Light appliance as indicated in the "To Light" section.
Flame blow out	High or gusting winds	Increase flame to "High"
	No gas flow	Check if gas cylinder is empty. If yes, replace.
	Excess flow safety valve has been activated	See "Sudden drop in gas flow" above
Irregular flame pattern or flame does not come out of the entire length of the burner	Burner ports are clogged	See "Burner will not light using a match" above.

**IF YOU HAVE QUESTIONS OR CONCERNS
PLEASE CALL BOND TOLL FREE #
1-866-771-BOND(2663) OR TO BETTER EXPEDITE
YOUR REQUEST FEEL FREE TO EMAIL US
Customer.service@bondmfg.com
OR VISIT OUR WEBSITE UNDER CUSTOMER SERVICE SUPPORT
www.bondmfg.com
BOND MANUFACTURING CO.
1700 West 4th Street, Antioch, CA 94509**

Mannul del dueño

⚠ ¡LEER ANTES DE USAR!

No. de modelo: BHDIY-003 No. de artículo: 66926



⚠ ADVERTENCIA:

- No almacene ni use gasolina u otros vapores y líquidos inflamables cerca de éste o de cualquier otro aparato.
- No almacene una bombona de gas LP no conectada para el uso cerca de éste o de cualquier otro aparato.
- El servicio debe ser hecho por un instalador calificado, una agencia de servicio o el proveedor de gas.

⚠ PELIGRO

SI SIENTE OLOR A GAS:

1. Cierre el suministro de gas al aparato.
2. Apague cualquier llama desnuda.
3. Si el olor persiste, subsistencia lejos del aparato llame inmediatamente a la central de fugas o a su proveedor de gas.



Diseño homologado bajo los requisitos ANSI Z21.97 • CSA 2.41-(2014) para chimeneas de gas para exteriores

⚠ ADVERTENCIA: ¡Solamente para uso en exteriores!

¡Usar Solamente Gas Propano (Gas LP)!

Las bombonas de propano se venden por separado.

⚠ ADVERTENCIA:

Una instalación, ajuste, alteración, servicio o mantenimiento inadecuado puede causar lesiones o daños a la propiedad. Lea atentamente el manual del usuario antes de instalar o dar servicio a este aparato. El no seguir exactamente las instrucciones de este manual puede producir un incendio o una explosión con daños a la propiedad, lesiones serias y hasta mortales. Conserve estas instrucciones para su futura consulta. Si usted está montando esta unidad para otra persona, entréguele este manual para futuras consultas.

⚠ ADVERTENCIA:

Apague el suministro de gas cuando el aparato no esté en uso.

⚠ Si se almacena el aparato adentro, desconecte y deje la bombona de gas LP afuera.

⚠ ADVERTENCIA:

¡Se debe vigilar este aparato en todo momento!

⚠ ADVERTENCIA:

La pila puede contener mercurio. No la ponga en un fuego o la basura. Deshágase de la pila como desechos peligrosos.



PELIGRO DE MONÓXIDO DE CARBONO



Este aparato puede producir monóxido de carbono, el cual es inodoro.

El usarlo en un espacio cerrado puede ser mortal.

Nunca utilice este aparato en un espacio cerrado como una caravana, una tolda, un automóvil o en la casa.

INFORMACIÓN DE SEGURIDAD

Lea y comprenda completamente este manual antes de intentar ensamblar, usar o instalar el producto. No seguir los avisos de peligro, las advertencias y las precauciones de este manual del usuario podría provocar incendios o explosiones que causen daños a la propiedad, lesiones personales graves o la muerte.



ADVERTENCIA

- La instalación de este producto debe cumplir con los códigos locales o, en su defecto, con el Código Nacional de Gas Combustible, ANSI Z223.1/NFPA 54, O el Código de Instalación de Gas Propano y Gas Natural, CAN/CGA-B149.1.
- SOLO PARA USO EN EXTERIORES. Este electrodoméstico solo se debe usar en exteriores, en un espacio bien ventilado y no se debe usar en edificios, garajes ni otras áreas cerradas.
- USE GAS PROPANO ÚNICAMENTE.
- Use únicamente con un tanque de gas propano (se vende por separado). No lo conecte a un suministro de gas remoto.
- El gas propano no es un gas natural. Use solamente gas propano para este fogón.
- La conversión a gas natural, el intento de uso de gas natural en una unidad de propano o el gas propano en una unidad de gas natural es peligroso y no se recomienda. De lo contrario, puede anular su garantía.
- Nunca use carbón ni otro combustible sólido en el fogón.
- Durante el proceso de encendido, aleje el rostro del quemador, ya que una llama inesperada podría encenderse y causarle lesiones.
- ADVERTENCIA SOBRE EL GAS PL: No coloque las piedras pómez directamente sobre los orificios del quemador, a más de ¼ pulg. de profundidad.
- Si aplica demasiado producto, se puede acumular gas sin quemar en el fogón. Se necesita ventilación para permitir que entre aire fresco en el espacio cerrado y que salga el gas residual.
- Si ve, huele o escucha el silbido del gas que se escapa desde el tanque de gas propano: 1. Desconéctelo. 2. No intente corregir usted mismo el problema. 3. Solicite ayuda a su proveedor de gas o al departamento de bomberos.
- No utilice el fogón si existe alguna fuga de gas.
- Nunca use una llama para detectar fugas de gas.
- Presión de suministro de entrada máxima: suministro máximo de gas de 27,94 cm de columna de agua (2,74 kPa).
- Debe usarse el regulador de presión de gas que se proporciona con el fogón.
- Use tanques de gas propano PL solo con las siguientes medidas requeridas: 30,48 cm (diámetro) x 45,72 cm (alto) con una capacidad máxima de 9,07 kg.
- El tanque de propano que se utilice debe incluir un anillo para proteger la válvula del tanque de gas propano.
- Nunca llene el tanque de gas propano a más del 80% de su capacidad.
- Se debe adaptar el sistema de suministro del tanque de gas propano para la extracción de vapores.
- No use un tanque de gas propano con una válvula dañada o con alguna otra pieza desgastada. Un tanque de gas propano abollado u oxidado puede ser peligroso y el proveedor de gas deberá revisarlo antes de su uso.
- No queme otros materiales que no sean los suministrados y que deben usarse con este fogón.
- Las piedras pómez podrían impactar en los ojos o en el rostro de alguien durante el encendido inicial de esta unidad, por ello, manténgase lejos del fogón durante los primeros 20 segundos después de haberlo encendido.

INFORMACIÓN DE SEGURIDAD

- No use el fogón, a menos que todas las piezas estén correctamente instaladas y estén en su lugar.
- Preste atención cuando opera el fogón. Se calienta durante el uso y nunca debe dejarse sin supervisión. No lo mueva cuando está funcionando.
- No use este fogón para cocinar.
- No coloque ninguna otra cubierta para chimenea ni nada inflamable sobre, debajo o cerca del fogón.
- Sea consciente de los peligros de las altas temperaturas de la superficie y mantenga una distancia segura para evitar quemaduras o que se incendie la ropa.
- No se siente en el fogón. No apoye los pies ni las manos sobre el fogón.
- Nunca se incline sobre el fogón abierto ni coloque las manos o los dedos en la parte superior de una unidad operativa.
- Mantenga todos los cables de suministro de electricidad o las mangueras de suministro de combustible alejados de cualquier superficie caliente.
- Deberá haber un espacio de separación mínimo de 182,89 cm entre la parte superior, 121,92 cm entre la parte posterior o los laterales del fogón y los materiales inflamables.
- Este fogón debe supervisarse en todo momento.
- Si el fuego se apaga durante el funcionamiento, cierre la válvula de gas. Siga las instrucciones y espere cinco minutos antes de intentar volver a encenderlo.
- No use este fogón si alguna de sus piezas estuvo sumergida en agua.
- No vierta agua en el fogón.
- Llame de inmediato a un técnico en mantenimiento calificado a fin de que inspeccione el electrodoméstico y reemplace cualquier pieza del sistema de control y cualquier control de gas que haya estado bajo agua.
- No encienda ni use la unidad a gas si las piedras pómez están mojadas. Asegúrese de que las piedras pómez estén completamente secas antes de encender la unidad, ya que el calor intenso podría provocar que las rocas se agrieten o exploten.
- No intente desconectar el regulador de gas ni ninguna conexión de gas mientras esté usando el fogón.
- No manipule el fogón hasta que esté cerrado y totalmente frío.
- Debe desconectar el tanque de gas propano cuando no use el fogón.
- No guarde un tanque de gas propano vacío o desconectado debajo o cerca del fogón, o cerca de cualquier otro electrodoméstico.
- Si almacena el fogón en el interior, retire el tanque de gas propano y déjelo en el exterior.
- Retire la batería cuando no use el fogón por un período prolongado.
- Limpie los contactos de la batería y los del dispositivo antes de instalar la batería.
- No agrande los orificios de la válvula ni los puertos del quemador cuando los limpie.
- No use este fogón en vehículos ni embarcaciones marítimas. Siempre haga funcionar el electrodoméstico en áreas exteriores de suelo plano.
- Retire la cubierta de PVC del fogón antes de poner en funcionamiento el electrodoméstico.
- No coloque la cubierta de PVC sobre el fogón hasta que esté apagado y completamente frío.
- Después de un período de almacenamiento o desuso, revise si hay fugas de gas u obstrucciones en los quemadores del fogón a gas propano antes de usarlo.
- **Los niños nunca deben usar el fogón a gas propano. Vigile a los niños cuando se encuentren cerca del electrodoméstico.**
- Mantenga el tanque de gas a una distancia de 1,52 m, como mínimo, del fogón cuando

INFORMACIÓN DE SEGURIDAD

- este último esté encendido.
- La presión máxima de suministro de gas es de 250 psi.
- **No se debe colgar, colocar sobre o cerca del electrodoméstico ropa ni otros materiales inflamables.**
- **Cualquier protector u otro dispositivo de protección que se haya retirado para dar mantenimiento al electrodoméstico se debe volver a colocar antes de hacerlo funcionar.**
- **Solo una persona calificada debe realizar la instalación y reparación del electrodoméstico. Este electrodoméstico se debe revisar todos los años. Es posible que se requiera una limpieza más frecuente, según sea necesario. Es esencial que mantenga limpios el compartimiento del control, los quemadores y los pasajes de circulación de aire del electrodoméstico.**
- Inspeccione el quemador antes de cada uso del fogón. Si existen pruebas de daños, deberá reemplazar el quemador antes de usarlo.
- Inspeccione la manguera antes de cada uso del fogón. Si la manguera presenta signos de roturas, abrasión, cortes o daños, no use el fogón. Arregle la manguera como corresponde antes de usar el electrodoméstico.
- Mantenga la manguera fuera de áreas donde las personas puedan tropezarse con esta o de áreas donde la manguera pueda estar sujeta a daños accidentales.
- **Tanto niños como adultos deben estar informados sobre los peligros de las altas temperaturas de la superficie y deben permanecer alejados para evitar quemaduras o que se incendie la ropa.**
- **Es necesario supervisar cuidadosamente a los niños pequeños cuando se encuentren en el área de este electrodoméstico.**
- La fabricación y marcado del tanque de suministro de gas propano líquido debe cumplir con las especificaciones para este tipo de tanques del Departamento de Transporte de EE.UU. (DOT, por sus siglas en inglés) o la Ley Nacional de Canadá CAN/CSA-B339, tanques de gas PL, esferas y tubos para el Transporte de Mercancías Peligrosas; y la Comisión.
- El tanque de gas PL debe estar equipado con un dispositivo de prevención de sobrellenado (OPD, por sus siglas en inglés) y una conexión para el tanque de gas QCCI o Tipo 1 (CGA810) homologado.

Aviso:

Solo use el regulador de presión y la manguera de montaje provistas con esta Fogata a Gas. Repuestos del regulador de presión y la manguera de montaje deberan ser especificadas o provistas por BOND MANUFACTURING CO.

Revise la manguera antes de cada uso del aparato. Si la manguera tiene indicios de craqueos, abrasión, cortes o daños de cualquier tipo, no use el aparato. Repare o reemplace la manguera según la necesidad antes de usar el aparato. Para obtener ayuda con la reparación o el reemplazo de la manguera, póngase en contacto con Bond Manufacturing al 1-866-771-2663. Utilice sólo piezas de repuesto del fabricante.

Precaución: Este artículo de calefacción no deberá utilizarse sobre plataformas de madera artificial o compuesto de plástico.

¡ADVERTENCIA!

* Ne pas allumer les gaz ou utilisez ci les pierres en lava sont mouiller. Assurer que les pierres en lava sont complètement sec avant d'allumer, parce que la chaleur peu fêler les pierres en lava.

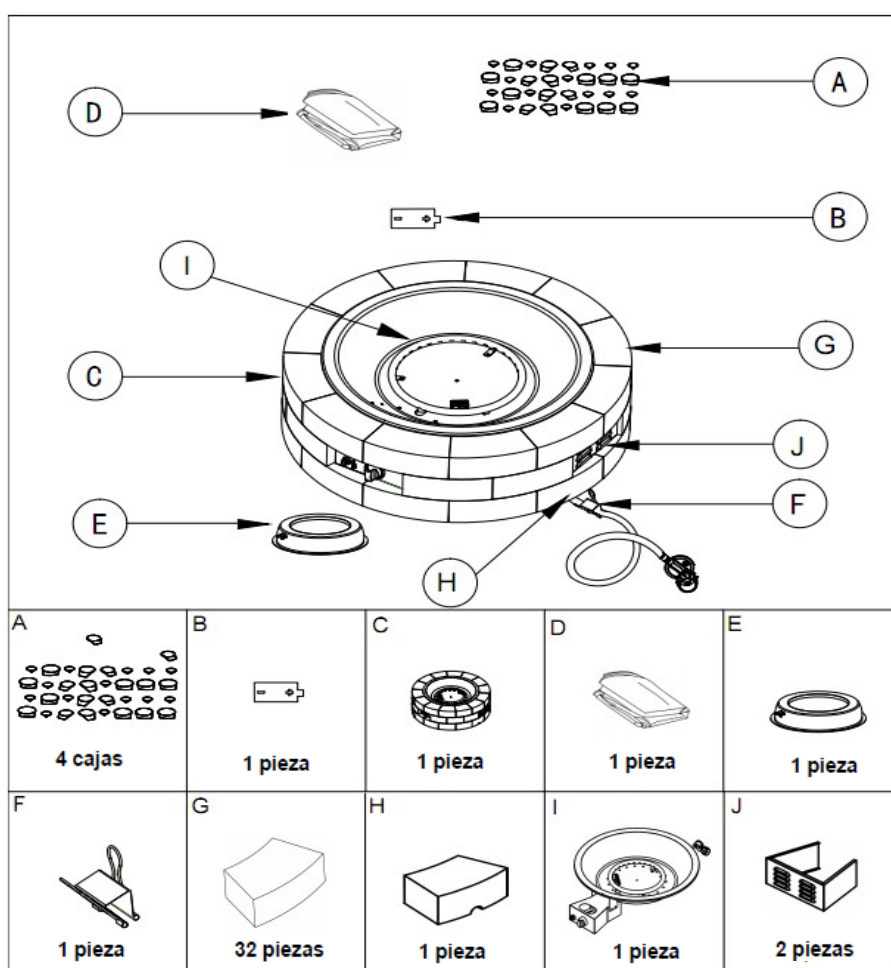
* Las piedras de lava podrían golpear la cara o los ojos de alguien durante el arranque inicial de la unidad, luego se ruega mantenerse fuera de la fuente de fuego durante los primeros 20 minutos después del encendido.

Garantía y Información sobre la Instalación:

La garantía de Bond se anulará por Bond y Bond no se hará responsable por los actos siguientes:

- ▶ Modificación de la mesa de gas y/o de los componentes, incluyendo la unidad de válvula de suministro de gas.
- ▶ Uso de cualquier componente no fabricado o aprobado por Bond.
- ▶ Uso y instalación con fines ajenos a los indicados en las instrucciones de este manual.

ACCESORIOS



ART.	DESCRIPCION	CANT.
A	Rocas volcánicas	12 kgs
B	Batería (AAA)	1 pieza
C	Cuerpo (ya ensamblado)	1 pieza
D	Cubierta de PVC	1 pieza
E	Asiento de tanque	1 pieza

ART.	DESCRIPCION	CANT.
F	Conector de manguera de gas	1 pieza
G	Ladrillos comunes	32 piezas
H	Ladrillo partido	1 pieza
I	Bol de fuego	1 pieza
J	Ladrillos de ventilación de acero	2 piezas

INSTRUCCIONES DE MONTAJE

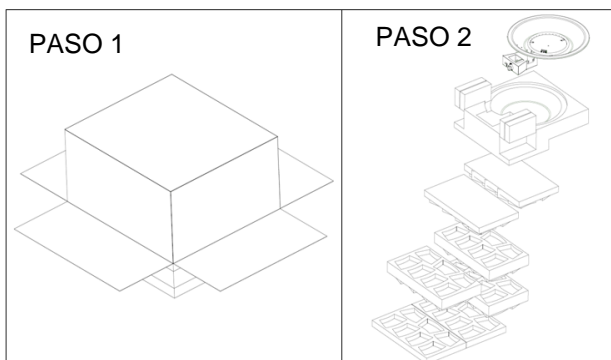
* **Por favor quédese con este manual del usuario para referencia futura.**

**Si ya ha abierto la caja y retirado todos los paquetes, descarte los PASOS 1 y 2. Para ensamblar, vaya a los PASOS 3 y 4 directamente.

PASO 1

- (1) Abra el cartón y póngalo al revés, asegurándose que las 4 piezas del cartón se abran como abajo.
- (2) Levante el cartón cuidadosamente y tome cuidado con los accesorios de adentro que puedan caer. Saque la caja con las piedras de lava.
- (3) Saque todo material de embalaje menos la papel de tablero de panal encima de la fogata a gas.

Véase Figura PASO 1.

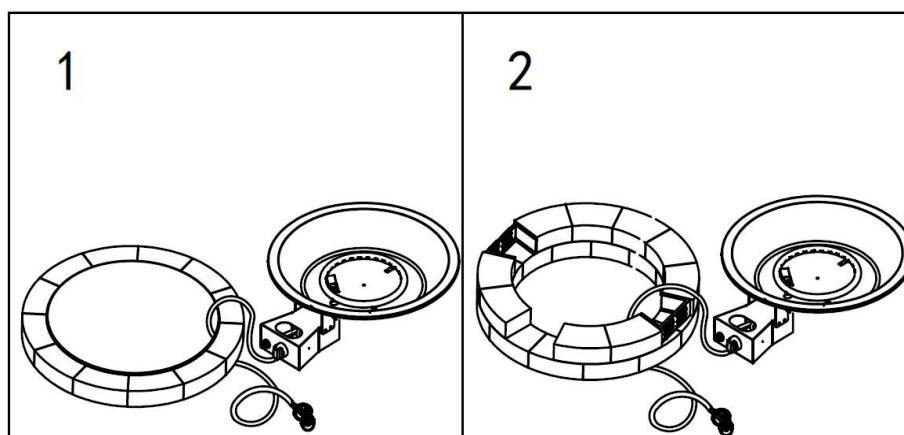


PASO 2

- (1) Voltee los cabezales del bol de fuego hacia arriba sobre una superficie plana.
- (2) Corte la cinta aisladora de la plancha de poliestireno y quite toda la plancha que rodea la parte superior del bol de fuego.
- (3) Corte la ligadura que sujeta al regulador y libérelo para instalarlo en el tanque de propano.

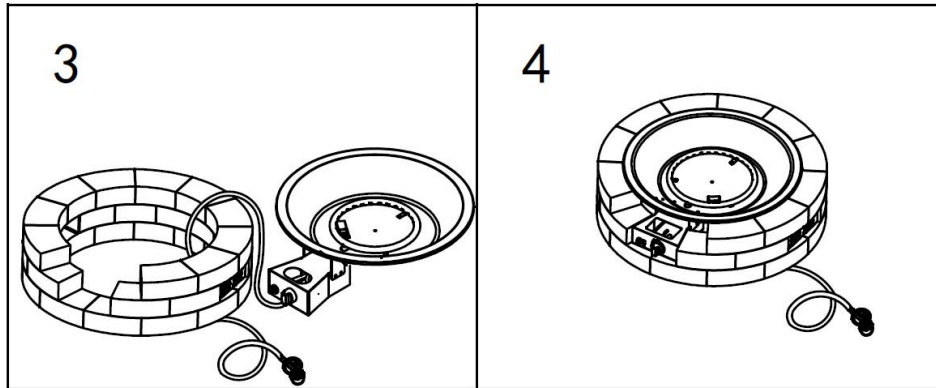
PASO 3

- (1) Seleccione un lugar adecuado para hacer usted mismo la fosa de fuego, asegurando previamente que el piso sea plano.
- (2) Construya la primera capa del anillo con 11 ladrillos comunes (G) y un ladrillo partido (H) que se usa como entrada de la manguera de gas. Coloque los ladrillos uno a uno formando un círculo, asegurando que el ladrillo partido no quede hacia el lado de donde quiere colocar el panel de control. Coloque el bol de fuego (I) junto al anillo de ladrillos e inserte la manguera de gas por la ranura que está debajo del ladrillo partido (H), asegurando que el regulador quede por fuera del anillo. **Ver Figura 1.**
- (3) Construya la segunda capa del anillo, con 9 ladrillos comunes (G) y dos ladrillos de ventilación de acero (J). Ponga los ladrillos uno a uno en la primera capa del anillo y saque un ladrillo del frente para colocar la placa de control (adosada al bol de fuego) y coloque los dos ladrillos de ventilación de acero (J) a la izquierda y derecha del anillo, individualmente. Verifique que los ladrillos estén transversales con los ladrillos de la primera capa. **Ver Figura 2.**

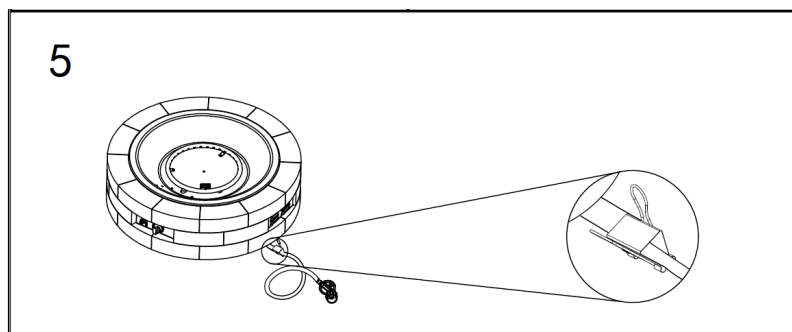


(4) Construya la tercera capa del anillo con 10 ladrillos comunes (G). Coloque los ladrillos uno a uno sobre la segunda capa del anillo, salvo los dos ladrillos que tocan la abertura como se muestra en la Figura 2. **Ver Figura 3.**

(5) Instale el bol de fuego (I) en el medio del anillo de ladrillos, verificando que el borde de labio del bol esté por encima de los ladrillos. El panel de control se apoyará en la abertura hecha en el paso 2. **Ver Figura 4.**



(6) Coloque los últimos dos ladrillos comunes (G) sobre el lugar vacío que está encima de la placa de control. Luego retire el exceso de manguera que quede en el anillo de ladrillos y engrape el conector (F) de la manguera de gas al lado del ladrillo partido (H) para evitar insertar demasiada longitud de manguera de gas en el anillo de ladrillos. **Ver Figura 5.**

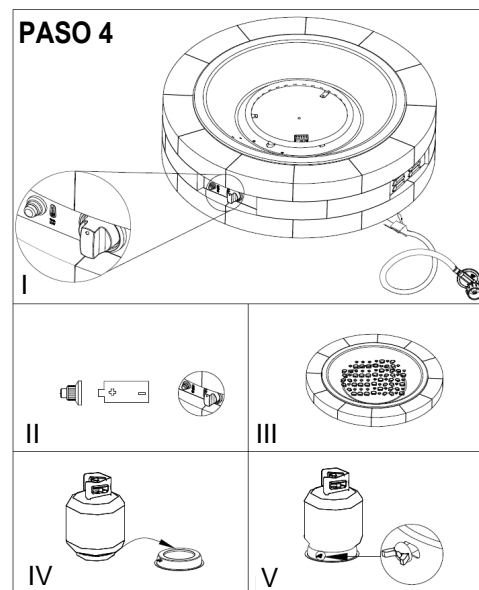


PASO 4

(1) Revise cada pieza antes de usar el producto. Verifique que el sistema de suministro de gas esté apagado antes de ensamblar. **Ver Figura I.**

(2) Ponga el tanque de gas en el asiento del tanque. Asegúrese de que el tanque de gas quede completamente apoyado sobre el asiento del tanque.

Gire el tornillo de mariposa que está en la parte exterior del asiento del tanque en sentido horario para que el tanque de gas quede bien asegurado. **Ver Figuras IV, V.**



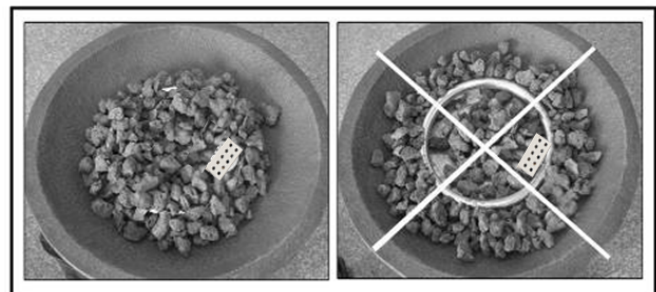
(3) Localice la batería quitando primero el recubrimiento de plástico. Afloje la tapa de goma del Encendedor Eléctrico y coloque una batería AAA dentro del compartimiento de batería. Verifique que el polo positivo (“+”) esté mirando hacia la tapa. Vuelva a ajustar bien la tapa en el compartimiento de batería. **Ver Figura II.**

(4) Abra las cajas de rocas volcánicas y distribúyalas en forma pareja arriba del bol de fuego. **Ver Figura III.**

⚠ ADVERTENCIA

**** NO TAPE EL TAMIZ METALICO DEL ENCENDEDOR** al colocar las rocas de lava en el plato hondo de la fogata a gas. Siempre mantenga la Cortina Protectora visible. Este tamiz metálico debe quedar libre y limpio de obstrucciones en todo momento para asegurar un correcto funcionamiento.

El quemador de la fogata a gas debe estar completamente cubierto por rocas de lava. De lo contrario, la llama puede extinguirse parcialmente. Véase la Figura CORRECTA e INCORRECTA para referencia.



CORRECTA

INCORRECTA

Conexión del Suministro de Gas LP (Propano Líquido)

- Siempre asegúrese de que el botón de control esté en la posición ‘OFF’ antes de conectar el suministro de gas.
- No obstruya el flujo del aire para la combustión ni del aire para la ventilación al aparato.

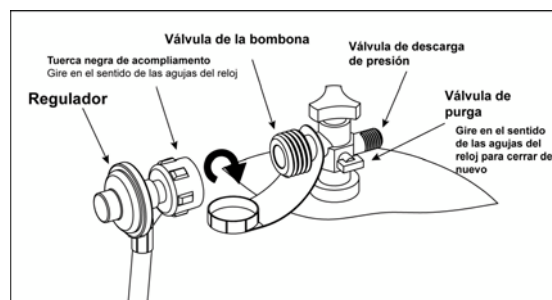
Para Conectar:

1. Asegúrese de que no haya residuos atrapados en el cabezal de la bombona de gas ni el cabezal de la válvula del regulador.
2. Inserte la boquilla del acoplamiento de la válvula en la válvula del cilindro y apriete la tuerca negra de acoplamiento, girándola en el sentido de las agujas del reloj con una mano mientras mantiene el regulador en la otra mano. (Véase el diagrama.) **Apriete sólo con la mano.**



Para Desconectar:

1. Siempre confirme que la válvula de la bombona esté en la posición ‘OFF’ antes de desconectar el suministro de gas.
2. Mantenga el regulador en una mano y la tuerca negra de acoplamiento, girándola en el sentido contrario a las agujas del reloj con la otra mano.



IMPORTANTE

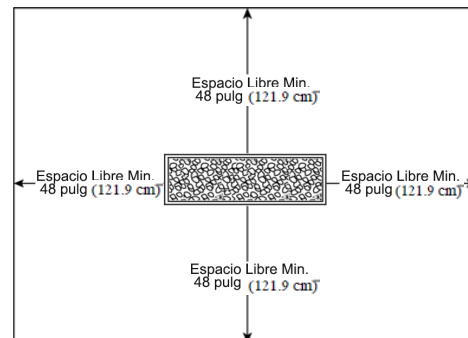
Desconecte la bombona de propano de la válvula del regulador cuando el aparato no esté en uso.

SELECCIONAR UNA UBICACIÓN

Coloque siempre este aparato para exteriores en una superficie firme, nivelada y no combustible como hormigón, roca o piedra.

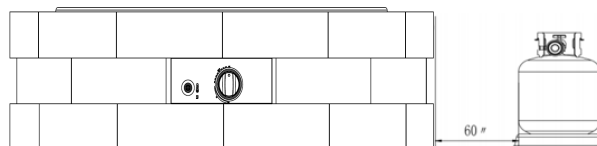
Espacio Libre Mínimo Entre la Unidad y Materiales Combustibles

182.9 cm (72") de la parte superior; 121.9 cm (48") de todos los lados y de la parte trasera. No coloque este aparato debajo de cualquier recinto elevado. Coloque la mesa de fuego para obtener un acceso fácil al botón de control.



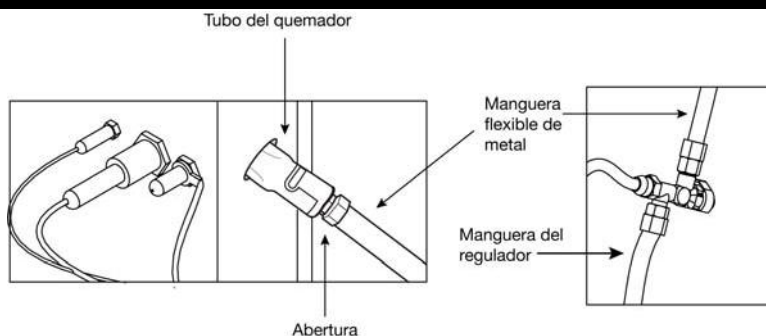
Cuando el quemador está en funcionamiento debe retirarse la cubierta.

La distancia mínima del cilindro de gas propano y bol de fuego debe ser superior a 60" (según foto de la derecha).



VERIFICACIÓN VISUAL

Antes de cada uso, revise la manguera y la válvula en búsqueda de desgaste excesivo, abrasión o cualquier daño.



ENSAYO DE FUGAS

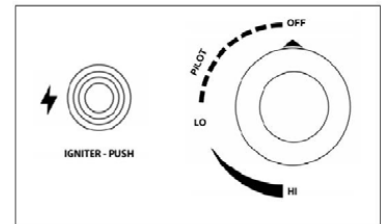
1. Compruebe si hay fugas afuera en un área con buena ventilación.
2. Asegúrese de que cualquier llama desnuda o cigarrillo esté apagado.
3. Quite la pila.
4. Asegúrese de que el botón de control esté en la posición 'OFF'.
5. En un tazón, cree una solución jabonosa utilizando una parte de agua a una parte de detergente líquido.
6. Aplique la solución de agua jabonosa a todas las conexiones.
7. Abra la válvula de la bombona de gas LP.
8. Una fuga de gas se detectará por burbujas crecientes originadas en el punto de la fuga.
9. Si se encuentra una fuga en cualquier punto de conexión o si siente olor a gas, cierre la válvula de la bombona, desconecte la bombona y no use el aparato hasta que se hagan reparaciones.

PARA ENCENDER

- SUGERENCIAS:** Antes de empezar
- Lea detenidamente y comprenda las instrucciones.
 - Verifique y asegúrese de que todas las piezas se encuentran presentes.
 - Guarde esta hoja de instrucciones para referencia futura.

1. Ubique la perilla de control del quemador y asegúrese que se encuentra en la posición "APAGADO" [OFF].
2. Conecte el cilindro de propano (LP). (Consulte las páginas anteriores).
3. Abra lentamente la válvula del tanque LP.
4. Oprima el botón de encendido para crear una chispa en el electrodo y sostenga.
5. Oprima y gire la perilla de control del quemador hacia la izquierda a la posición "PILOTO" [PILOT]. Continúe oprimiendo el control hasta encender la llama del piloto.

Nota: En el encendido inicial o después de un cambio de cilindro, presione y sostenga la perilla de control durante 2 minutos para purgar el aire de la cañería de gas antes de continuar.



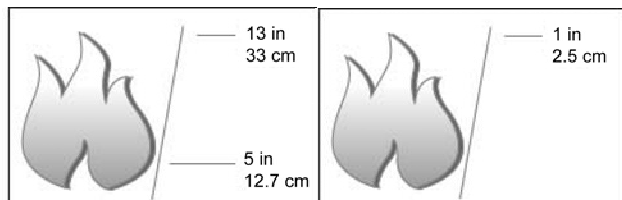
6. Después de encender, suelte el botón de encendido. Continúe oprimiendo la perilla de control durante 45 segundos.
7. Si el piloto del quemador NO se enciende inmediatamente en segundos, cierre la perilla de control del quemador, espere 5 minutos hasta que el gas se disipe y repita el procedimiento de encendido. Si el piloto sigue sin encender, consulte la sección Resolución de problemas.

8. Una vez encendido el piloto, gire la perilla de control del quemador a las posiciones "Alto" [HI] y "Bajo" [LO]. El quemador principal se prenderá inmediatamente. De lo contrario, cierre la perilla de control del quemador, espere 5 minutos hasta que el gas se disipe y repita el procedimiento de encendido. Si el quemador principal sigue sin encender, consulte la sección Resolución de problemas.

Nota: Este aparato está equipado con una llama piloto que hace más seguros el encendido y el apagado. Hay que encender el piloto antes de poder prender el quemado principal.

9. La altura de la llama se puede graduar con la perilla de control del quemador entre las posiciones "Alto" [HI] y "Bajo" [LO].

10. Siempre debe controlar periódicamente la llama del quemador y del piloto para garantizar el funcionamiento correcto. La llama debería ser casi toda amarilla con un poco de azul para dar un buen rendimiento. (Consulte los diagramas)



Llama de quemador

Llama del

piloto principal

⚠ PRECAUCIÓN

Si el quemador no enciende cuando su válvula de control está abierta, el gas seguirá saliendo del quemador y se puede encender accidentalmente provocando lesiones y daños materiales.

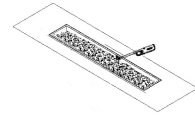
USO DE UN ENCENDEDOR O CERILLA LARGA

1. Conecte el cilindro de propano (LP). (Consulte las páginas anteriores)
2. Antes de encender, mueva las rocas volcánicas con una pala pequeña para poder acceder al piloto que se encuentra dentro del filtro.

ADVERTENCIA: Las rocas volcánicas se pueden calentar mucho. NO las toque si no se han enfriado completamente.

3. Ubique la perilla de control del quemador y asegúrese que se encuentra en la posición "APAGADO" [OFF].
4. Usando guantes antitérmicos coloque una cerilla larga encendida o un encendedor largo encendido cerca del piloto. NO se asome sobre el quemador mientras lo enciende.

5. Oprima y gire la perilla de control del quemador a la posición "PILOTO" [PILOT]. El piloto se debería prender inmediatamente.
6. Si el piloto no se enciende inmediatamente, cierre la perilla de control del quemador en posición "APAGADO" [OFF], espere 5 minutos hasta que el gas se disipe y repita el procedimiento de encendido. Si el piloto sigue sin encender, consulte la sección Resolución de problemas.
7. La altura de la llama se puede graduar con la perilla de control del quemador entre las posiciones "ALTO" [HI] y "BAJO" [LO].
8. Siempre debe controlar periódicamente la llama del quemador para garantizar el funcionamiento correcto. La llama debería ser casi toda amarilla con un poco de azul para dar un buen rendimiento.



PARA APAGAR

1. Oprima y gire la perilla de control del quemador hacia la derecha a la posición "PILOTO" [PILOT]. (Normalmente el quemador hará un pequeño chasquido al extinguirse). El quemador principal se apagará pero la llama del piloto se mantendrá ENCENDIDA [ON].
2. Para apagar la llama del piloto, oprima la perilla de control y continúe girándola hacia la izquierda a la posición APAGADO [OFF].
3. Cierre la válvula del tanque LP.
4. Desconecte el regulador del tanque LP y cierre el suministro de gas cuando no lo use.
5. Verifique que la unidad se ha enfriado completamente antes de tocar ningún componente o de ponerle la cubierta.

CUIDADO USUAL

- Mantenga su aparato libre de materiales combustibles.
- Visualmente revise el quemador para obstrucciones, mantenga el encerramiento de la bombona limpio y sin residuos.
- Cuando el quemador y las piedras de lava se hayan enfriados totalmente, use un cepillo suave para deshacerse de manchas pequeñas, suciedad y polvo. Seque con un trapo suave.

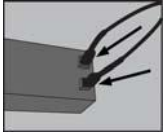
MANCHAS REBELDES

- Manchas rebeldes, decoloración y posiblemente agujeros por el óxido pueden resultar por exposición a severas condiciones externas.
- Tenga cuidado que ningún polvo ni solvente entre en contacto con piezas pintadas o de plástico ya que se pueden dañar.

MANTENIMIENTO

- Almacene el aparato en un lugar seco y fresco, fuera de la luz directa del sol.
- Asegúrese de que el suministro de gas y el aparato estén apagados antes de cambiar la pila. Se ruega consultar el proceso de inserción de la pila.
- Proteja el aparato con la funda cuando no esté en uso.
- Hay que desconectar la bombona de propano y sacarla del aparato antes de poder almacenar el aparato adentro.
- Utilice sólo accesorios y piezas de repuesto provistos o aprobados por el fabricante. De otra manera, la garantía de este producto queda inválida y pueden resultar condiciones peligrosas.
- Por favor contacte al fabricante para información acerca de piezas de repuesto, mangueras, termopares, encendedores, piedras de lava, etc.

RESOLUCIÓN DE PROBLEMAS

PROBLEMA	CAUSA	ACCIÓN CORRECTIVA
El piloto no enciende	La espiga de encendido y el quemador están mojados	Séquelos con un paño
	La batería de encendido está mal colocada.	Compruebe que la batería esté bien colocada.
	La espiga de encendido está rajada o rota	Llame a atención al cliente para pedir un repuesto
	El cable del electrodo está flojo o desconectado	Vuelva a reconectar el cable a la caja de ignición ubicada dentro de la base detrás del botón de encendido 
	El cable del electrodo hace corto entre la válvula y la espiga de encendido	Llame a atención al cliente para pedir un repuesto
El piloto no enciende con una cerilla O BIEN El	No pasa gas	Compruebe si el cilindro de gas está vacío. Si es así, reemplácelo.
	El regulador no está bien conectado al tanque	Verifique la conexión al tanque LP.
	Hay una obstrucción en el paso de gas	Verifique si la manguera está doblada o plegada
El enciende después de encender el piloto	Hay telas de araña o nidos de insectos en el venturi (extremo del caño del quemador) o el alojamiento del piloto	Limpie el venturi o el alojamiento del piloto
	Están tapados los orificios del quemador	Inserte un broche de papel abierto en cada uno de los orificios para limpiarlos. Compruebe que el aparato está apagado y que todas las piezas se han enfriado antes de tratar de limpiar los orificios del quemador.
El aparato emite mucho humo negro cuando está encendido	La llama tiene una obstrucción en los orificios del quemador	Verifique que todos los orificios del quemador de gas están limpios de rocas volcánicas o residuos para permitir que el gas pase libremente.
	La manguera del regulador está estrangulada	Verifique si la manguera está doblada o plegada
Caída repentina del flujo de gas	No pasa gas	Compruebe si el cilindro de gas está vacío. Si es así, reemplácelo.
	Se ha activado la válvula de seguridad del exceso de flujo	Gire la perilla de control a la posición "APAGADO" [OFF], cierre la válvula del tanque LP y desconecte el regulador del tanque. Gire la perilla de control a la posición "ALTO" [HI]. Espere 1 minuto Gire la perilla de control a la posición "APAGADO" [OFF]. Vuelva a conectar el regulador al tanque LP. Abra lentamente la válvula del tanque. Encienda el aparato como se indica en la sección "Para encender".

Se apaga la llama	Viento fuerte o arrachado	Aumente la llama a "Alto" [HI]
	No pasa gas	Compruebe si el cilindro de gas está vacío. Si es así, reemplácelo.
	Se ha activado la válvula de seguridad del exceso de flujo	Consulte "Caída repentina del flujo de gas" anterior
Fuego irregular o la llama no termina de salir del todo	Están tapados los orificios del quemador	Consulte "El piloto no enciende con una cerilla" anterior.

SI TIENE PREGUNTAS O DUDAS
 SE RUEGA LLAMAR A BOND SIN CARGOS al
 1-866-771-BOND(2663) O PARA ACELERAR SU PEDIDO NO
 DEJE DE MANDARNOS UN CORREO ELECTRÓNICO AL
customer.service@bondmfg.com
 O VISITE NUESTRA PÁGINA WEB BAJO ATENCIÓN AL CLIENTE
 CUSTOMER SERVICE SUPPORT www.bondmfg.com
 BOND MANUFACTURING CO.
 1700 West 4th Street, Antioch, CA 94509