



**WS3130**  
**INSTALLATION GUIDE**

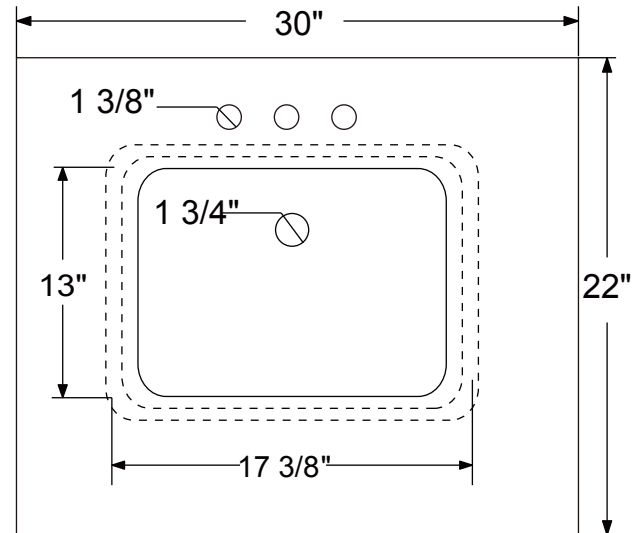


LEGION FURNITURE

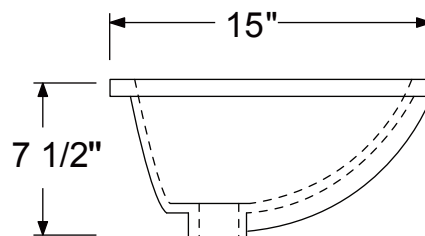
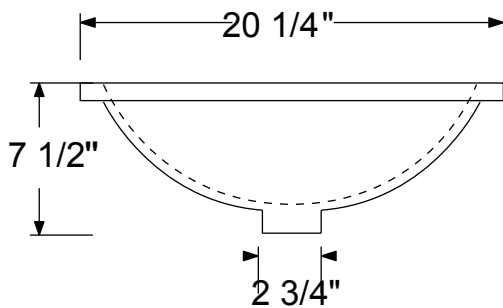
Vanity Ensemble



Countertop



Sink



Note: All dimensions and specifications are approximate and subject to change without notice.



LEGION FURNITURE

**WS3130**

**INSTALLATION GUIDE**

PAGE 1



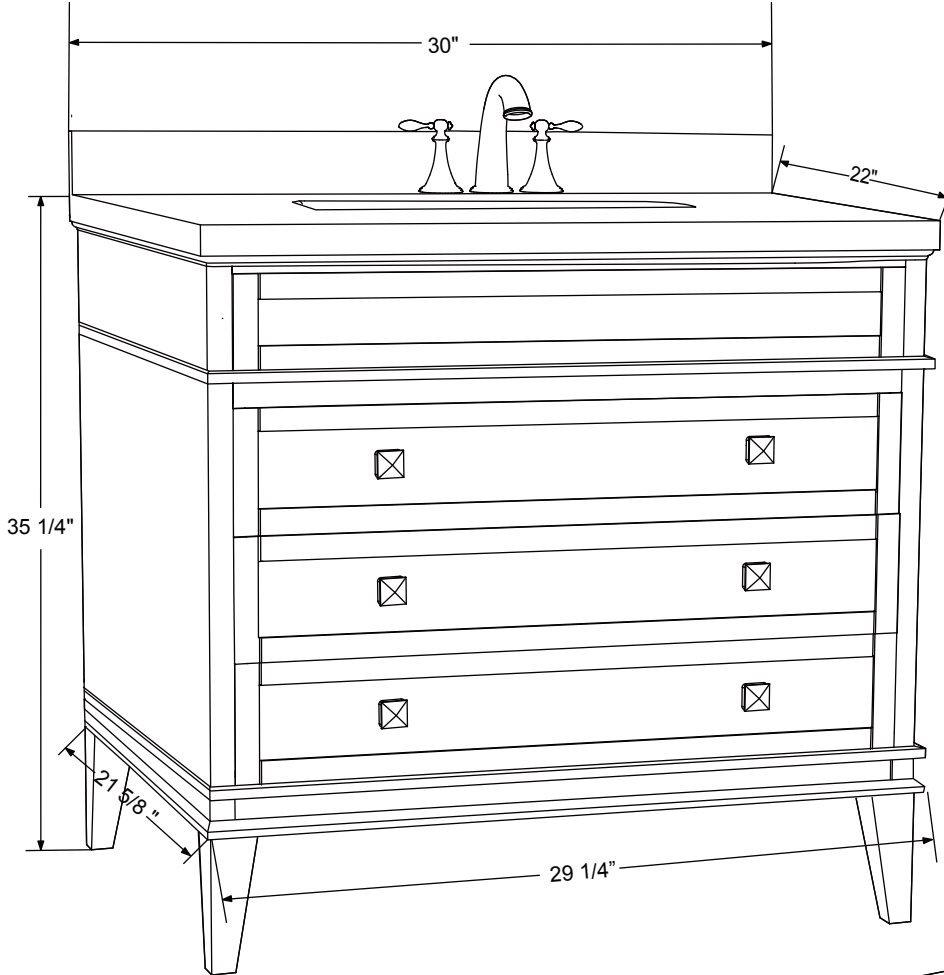
# WS3130

## INSTALLATION GUIDE

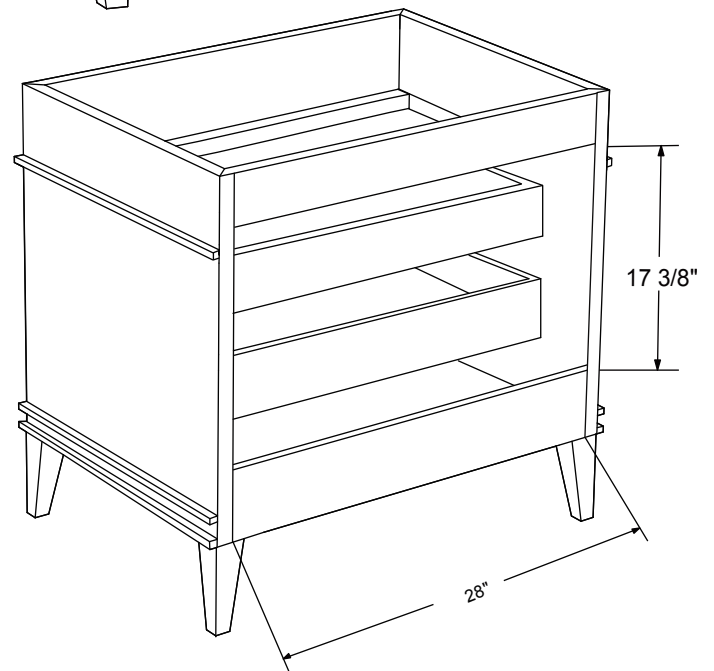


LEGION FURNITURE

Vanity Front



Vanity Back

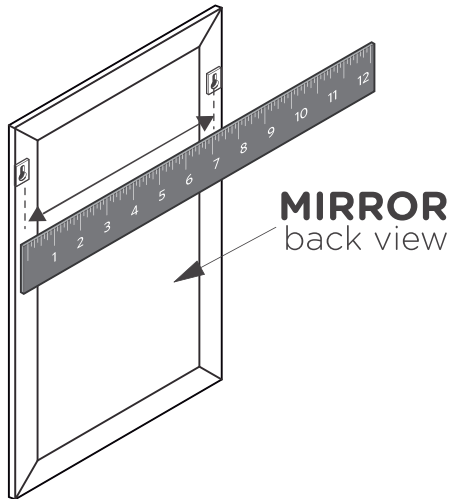


# MIRROR INSTALLATION INSTRUCTION

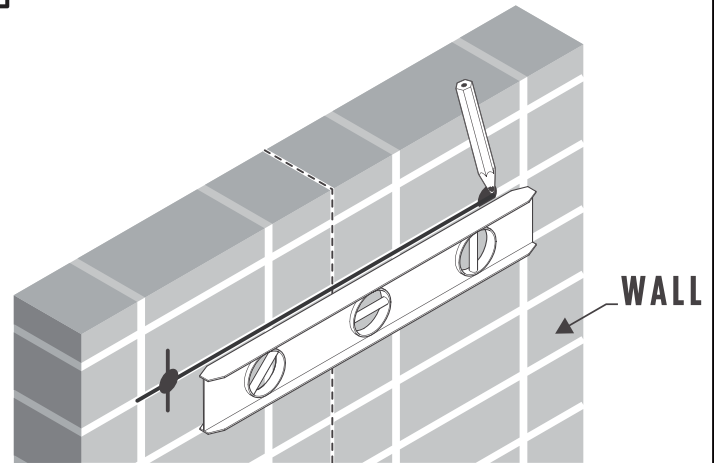
## TOOLS FOR ASSEMBLY



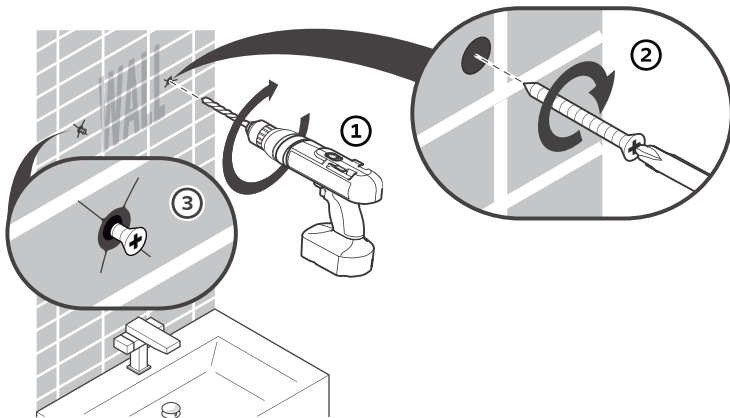
- 1** Measure the distance between the brackets on the back of the mirror



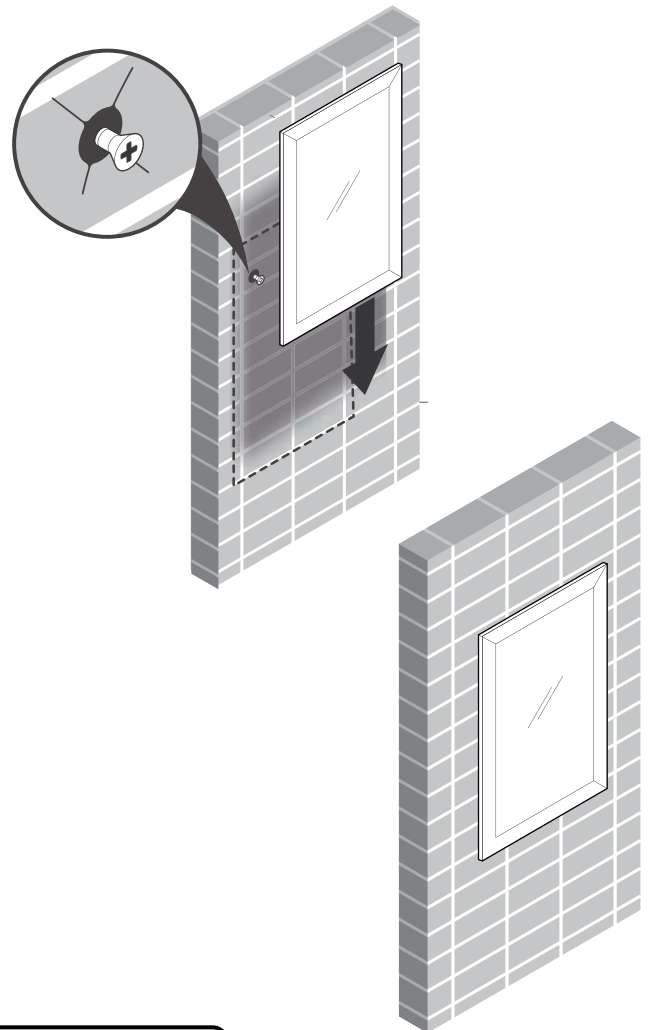
- 2** Mark the measured distance on the wall using a level



- 3** Once position is marked, drill 2 holes and insert anchors if stud is not available



- 4** Hang mirror on the wall



### IMPORTANT:

CONSULT AN EXPERT FOR THE PROPER SCREWS/BOLTS TO USE WHEN ATTACHING TO VARIOUS WALL CONSTRUCTIONS. SCREWS PROVIDED **DO NOT** ATTACH TO ALL WALL CONSTRUCTION TYPES.



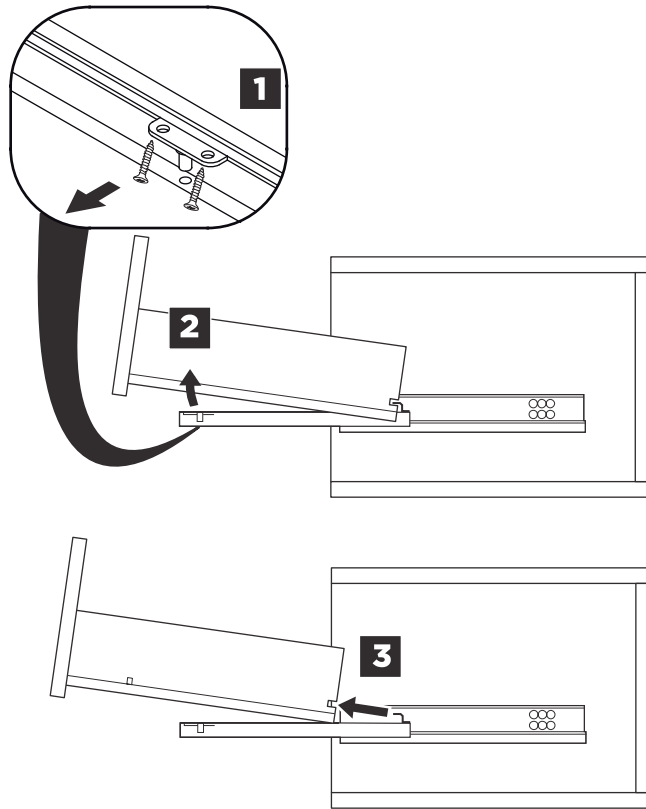
LEGION FURNITURE

WS3130

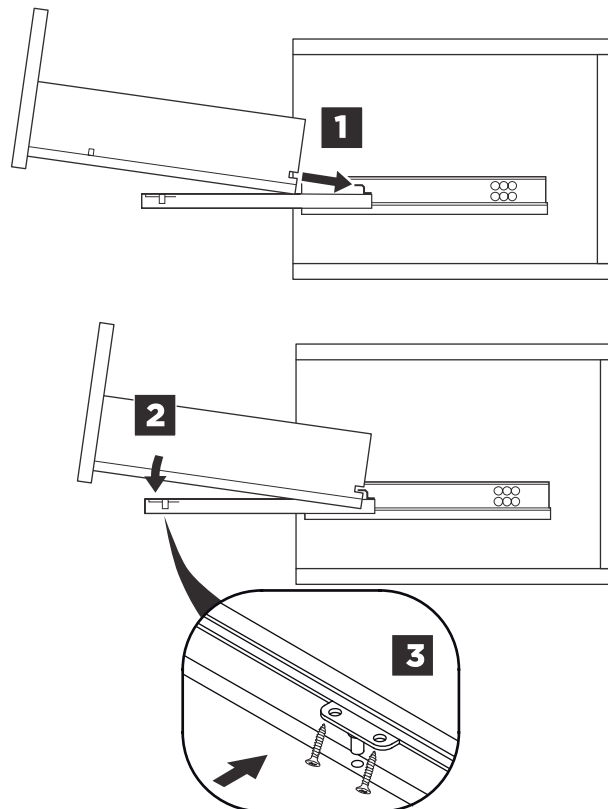
INSTALLATION GUIDE

PAGE 3

## DRAWER REMOVAL



## DRAWER INSTALLATION



## INSTALLATION INSTRUCTIONS

**1** Secure cabinet to the wall



**2** Apply a bead of silicone on the top of the cabinet and place the sink on top



**IMPORTANT:**

Consult an expert for the proper screws/bolts to use when attaching to various wall constructions. Screws provided do not attach to all wall construction types.



LEGION FURNITURE

**WS3130**

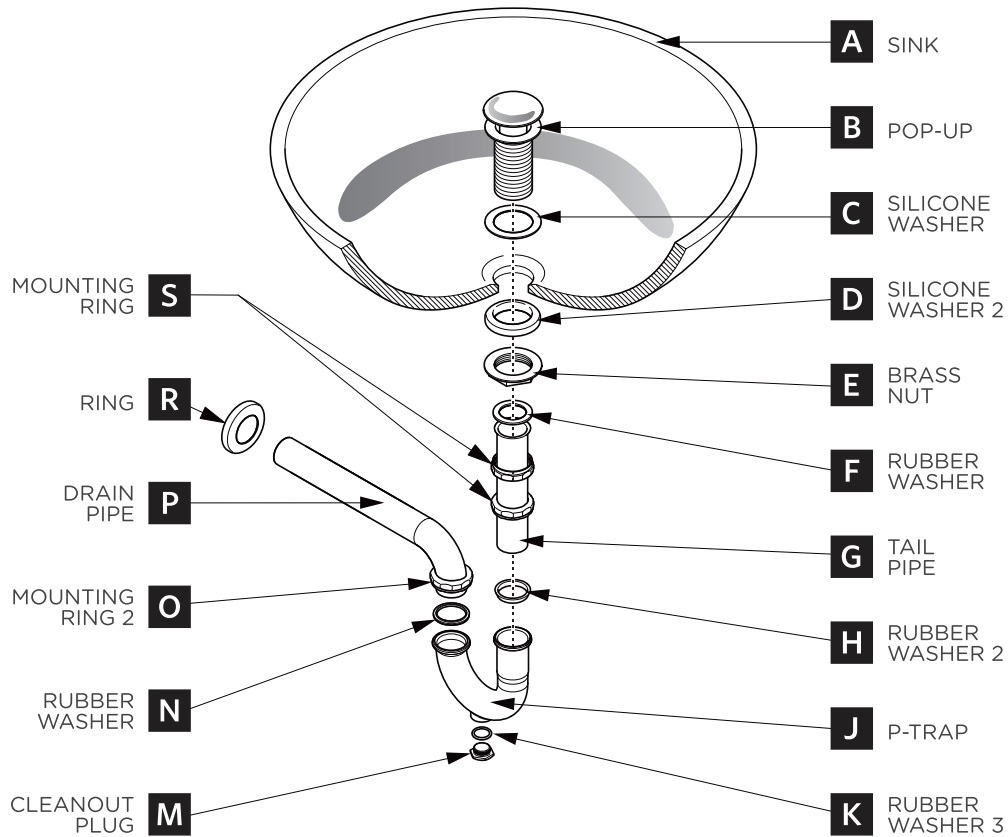
**INSTALLATION GUIDE**

PAGE 5

# P-TRAP & POP-UP

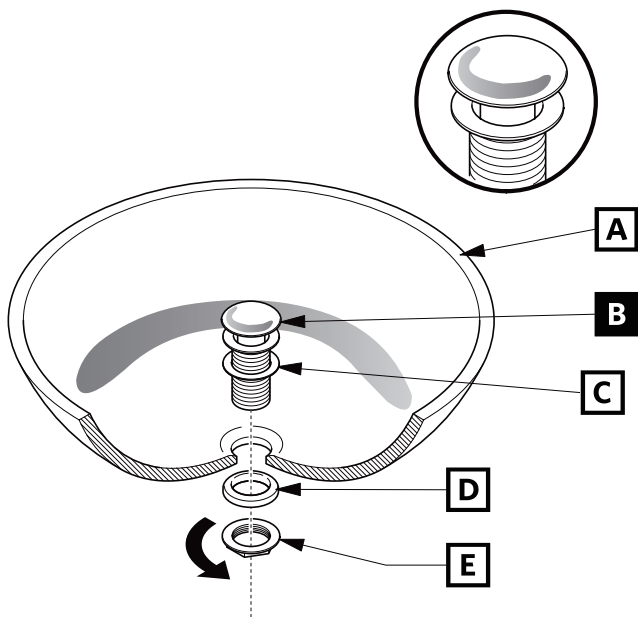
## INSTALLATION INSTRUCTIONS

Your item may appear slightly different from the illustration.



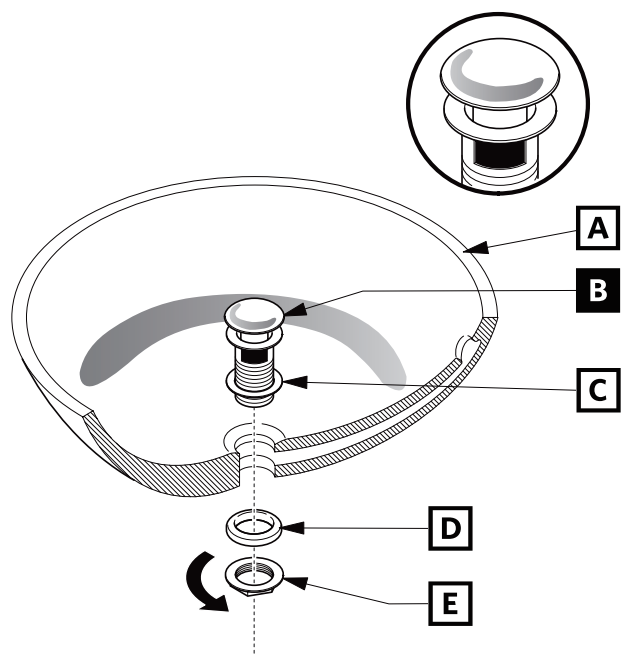
### POP-UP INSTALLATION

#### FOR SINKS WITHOUT OVERFLOW



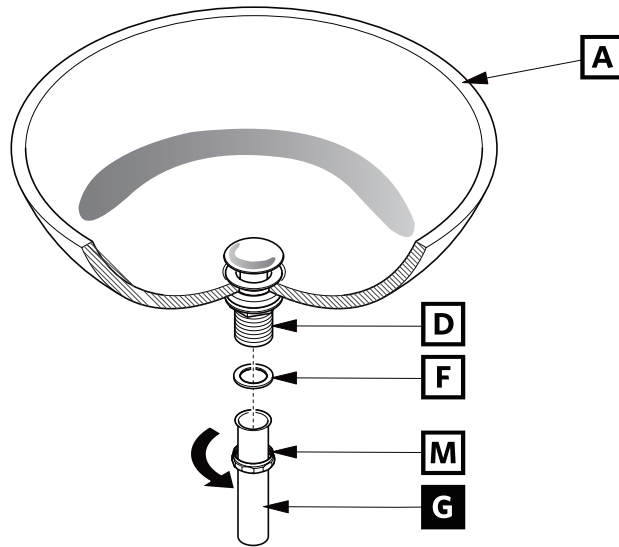
OR

#### FOR SINKS WITH OVERFLOW



# P-TRAP INSTALLATION

## 1 Install tail pipe (G)



## 2 Install P-trap (J)

