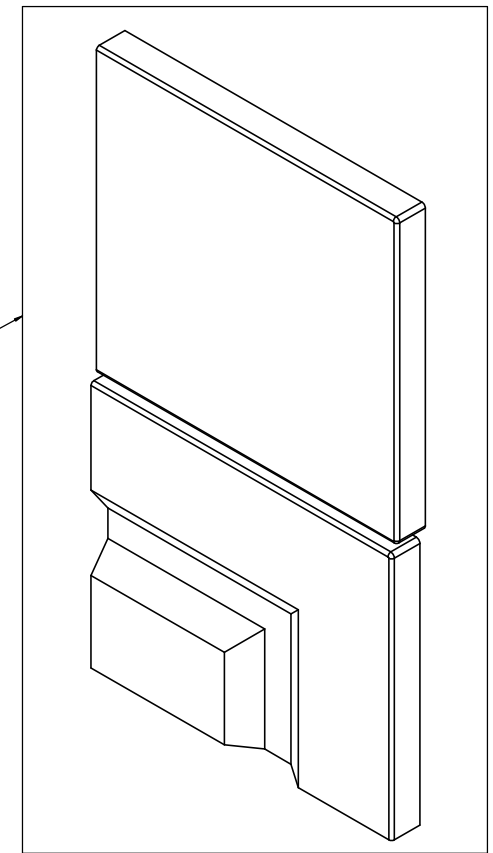
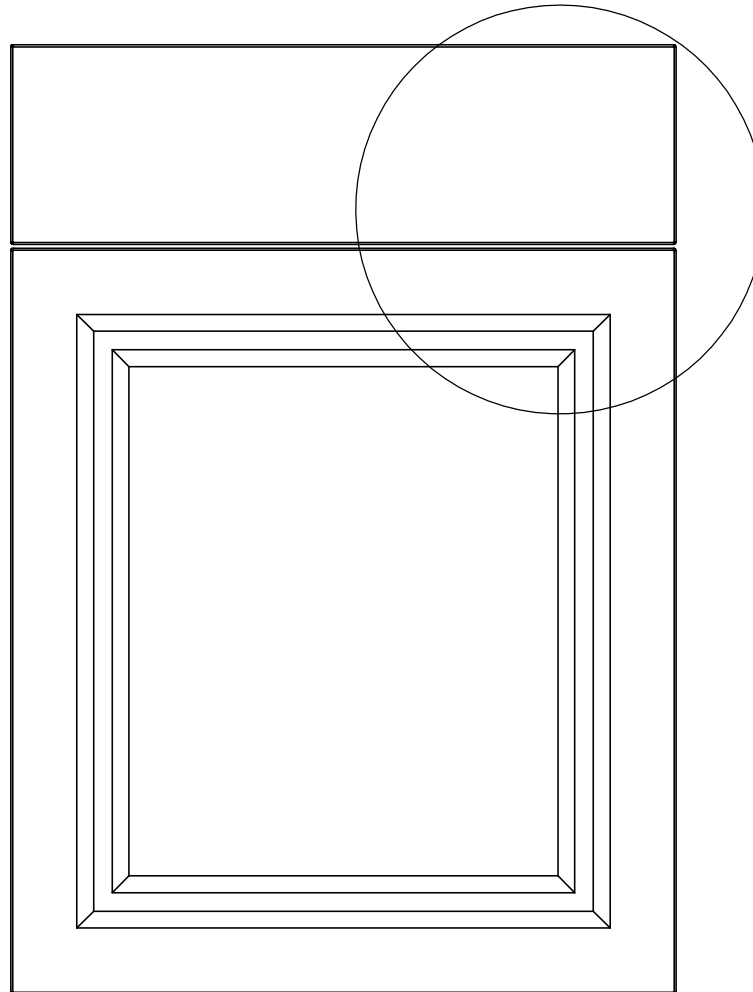


Item ID	Front Thickness [in] mm	Door Thickness [in] mm
BT2135B-WH	[.63] 16	[.63] 16

**This profile  
belongs to  
BT2135B-WH**

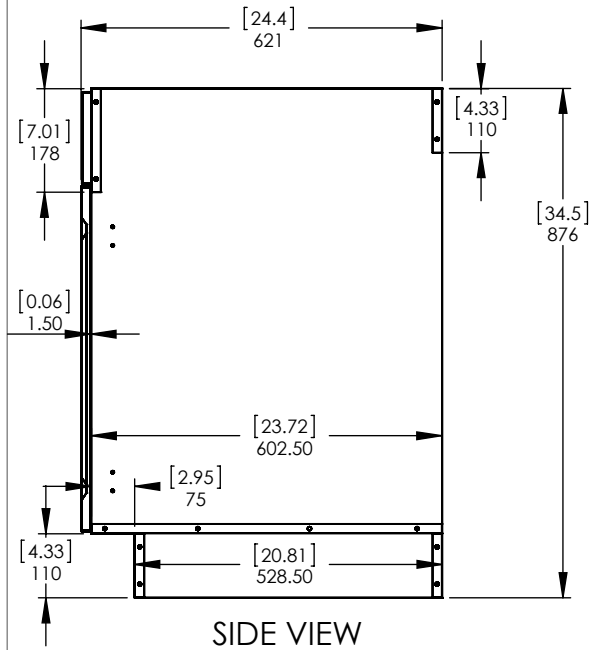


**Detailed View**

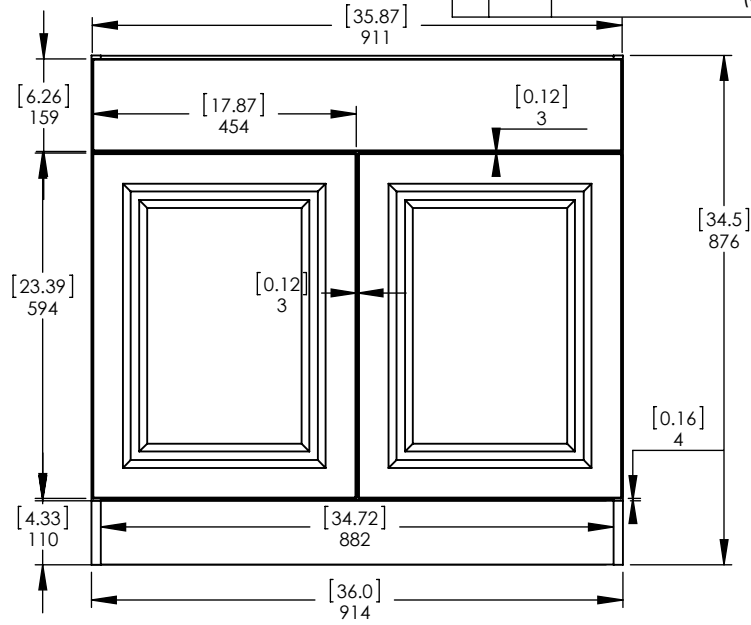
<b>Profile: Benton White</b>	
PROPRIETARY AND CONFIDENTIAL THE INFORMATION CONTAINED IN THIS DRAWING IS THE SOLE PROPERTY OF WOODCRAFTERS. ANY REPRODUCTION IN PART OR AS A WHOLE WITHOUT THE WRITTEN PERMISSION OF WOODCRAFTERS IS PROHIBITED.	UNLESS OTHERWISE SPECIFIED DIMENSIONS ARE IN MM AND [INCHES] TOLERANCES ARE +.039[1]-.039[1] SCALE:1:2

Item ID	Description
BT3635S-WH	Kitchens - Benton Sink Base Cabinet with False Drawer Front in White 36in W x 24.5 D x 34.5 H

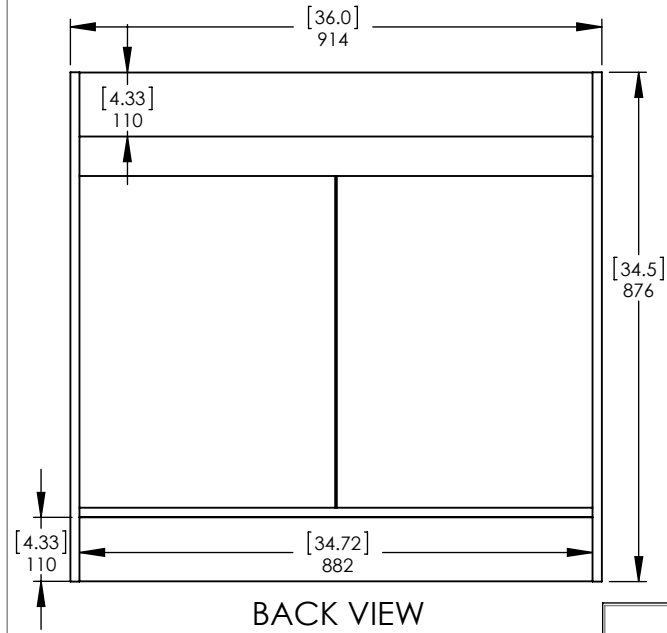
Rev	ECO #	Description	REV'D BY DATE	CHK'D BY DATE	APRV'D BY DATE
0		New Release	KISM 9/30/16	KISM 9/30/16	KISM 9/30/16
1	1773	Change of position on back lower cleat (881mm)	RR 8/29/17	RR 8/29/17	RR 8/29/17



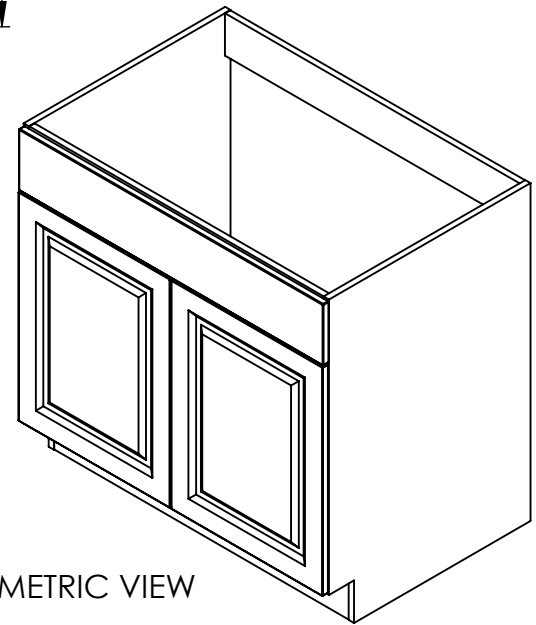
SIDE VIEW



FRONT VIEW



BACK VIEW



ISOMETRIC VIEW

<b>PROPRIETARY AND CONFIDENTIAL</b> THE INFORMATION CONTAINED IN THIS DRAWING IS THE SOLE PROPERTY OF WOODCRAFTERS. ANY REPRODUCTION IN PART OR AS A WHOLE WITHOUT THE WRITTEN PERMISSION OF WOODCRAFTERS IS PROHIBITED.	UNLESS OTHERWISE SPECIFIED DIMENSIONS ARE IN MM. AND [INCHES] TOLERANCES ARE + 0.039 [1] - 0.039 [1] SCALE:1:13	DRAWN	Kadir S.	10/3/16		SIZE DWG. NO. SHEET 1 OF 1 <b>A</b> Base_Sink_Cabinet_36in REV: 1
		CHECKED	Kadir S.	10/3/16		
		ENG APPR.	V. Sanchez			