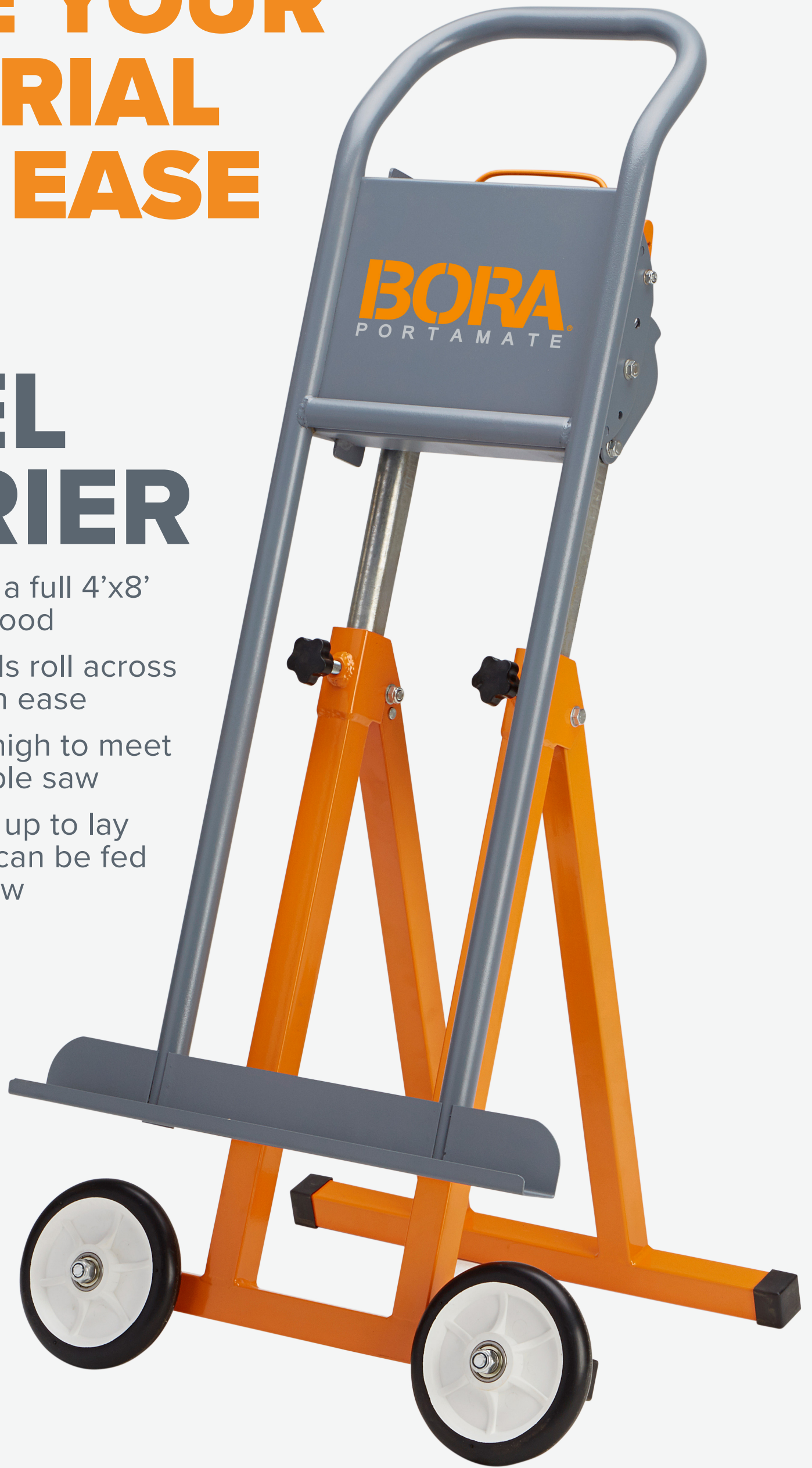


# MOVE YOUR MATERIAL WITH EASE

## PM-1800 PANEL CARRIER

- Designed to hold a full 4'x8' size sheet of plywood
- Heavy duty wheels roll across the shop floor with ease
- Adjusts 28"–38" high to meet the top of your table saw
- Panel carrier flips up to lay plywood flat so it can be fed onto your table saw



Easily transport plywood across your shop



Safely feed plywood onto your table saw



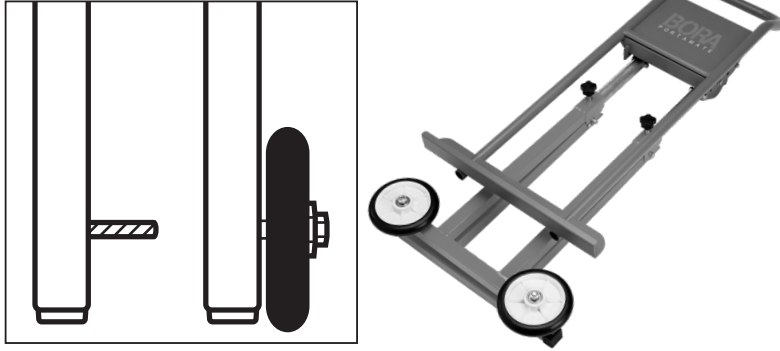
Quick height adjustment



Folds flat for storage

## PM-1800 PANEL CARRIER USER MANUAL

### 1 Install Wheels



### 2 Flip out legs, ensure pin snaps into place



### 3 Flip up tray to horizontal, adjust horizontal height until it is level with the height of your table saw



### 4 Tighten knobs



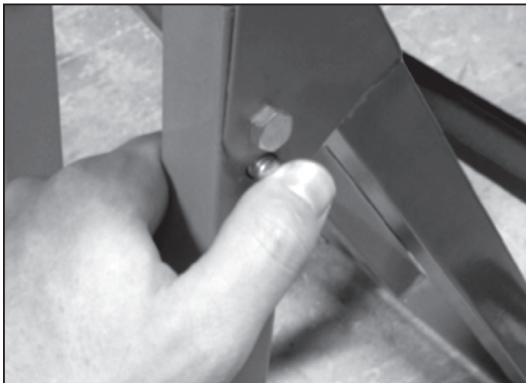
### 5 Push down on latch handle to collapse tray



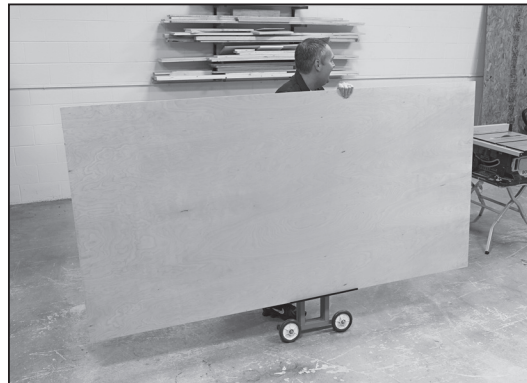
### 6 Place board on tray, make sure it is centered



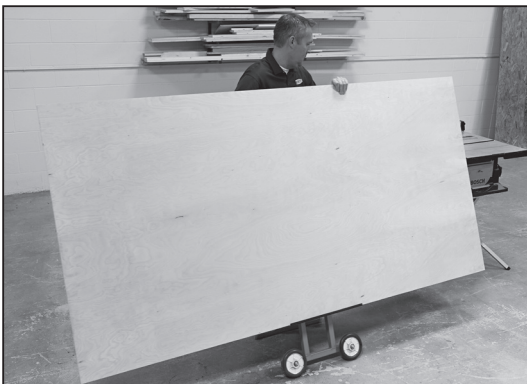
### 7 Collapse legs by pushing in the spring pin



### 8 Place the panel carrier next to the table saw



### 9 Unfold legs, ensure pin snaps into place



### 10 Flip up board to horizontal, ensure latch snaps into place



### 11 Make your cut



# MOVE YOUR MATERIAL WITH EASE