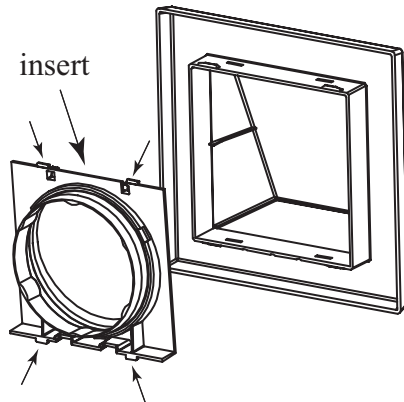
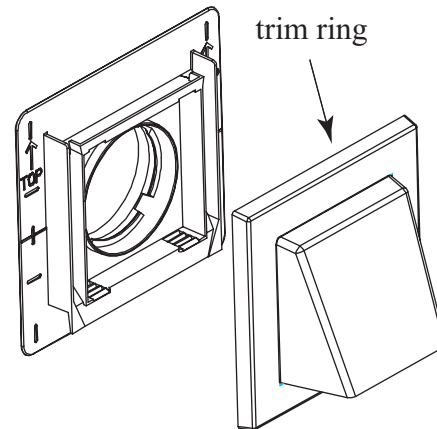


4" Fiber Cement Hooded Exterior Vent Screen Installation Instructions

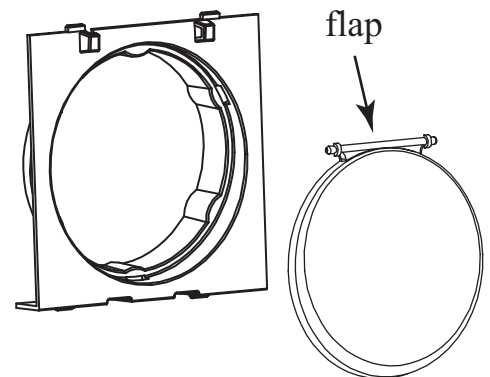
Step 1

Remove the trim ring from the vent assembly.
See figure at right.



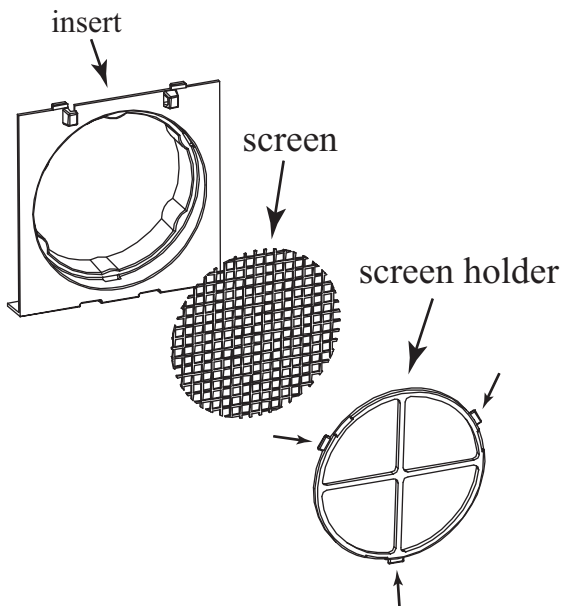
Step 2

Remove the insert from the trim ring by disengaging the 4 tabs.
See figure at left.



Step 3

If needed, remove the flap from the insert. This will aid in the installation of the screen and is optional. For clarity, the flap will be removed in these instructions. See figure at right.



Step 4

Place the screen inside the insert and assemble the screen holder by aligning the three tabs on the screen holder with the three openings in the insert and flexing it into position. Reassemble the remaining components.

Note:

To remove the screen holder from the insert place a straight slot screwdriver in the recessed areas located at each one of the 3 lock tabs. See figure at left.