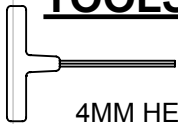


HANOVER®

MODEL: HVLNA10

- (1) Seat
- (1) Back
- (2) Front legs
- (2) Arms
- (1) Long brace
- (1) Short brace
- (1) Hardware pack

TOOLS NEEDED

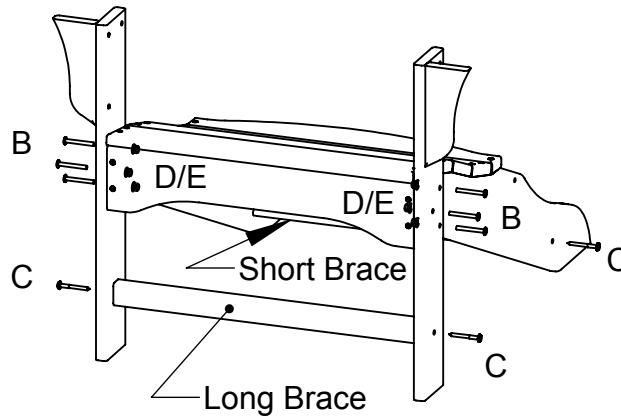


4MM HEX KEY, ALLEN, T-HANDLE (INCLUDED), 7/16 WRENCH

STEP 1

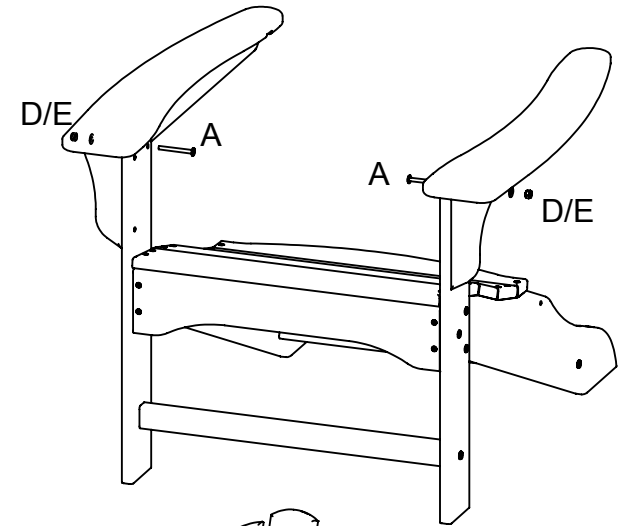
Attach Front Legs to Seat using (6) 1-7/8" bolts, nuts and washers.

Attach Front and Rear Brace using (4) 2" screws.



STEP 2

Attach Arms to Front Legs using (2) 2-1/4" bolts, nuts and washers.



| QTY | DESCRIPTION |
|-----|------------------------------|
| 2 | A-1/4-20 X 2-1/4 WAFER SHCS |
| 6 | B-1/4-20 X 1-7/8 WAFER SHCS |
| 8 | C-.273 X 2.00 SOCKET WAFER A |
| 8 | D-1/4-20 NYLOCK NUT |
| 8 | E-1/4 FLAT WASHER |

- | | | |
|---|------------------------------|--|
| 2 | A-1/4-20 X 2-1/4 WAFER SHCS | |
| 6 | B-1/4-20 X 1-7/8 WAFER SHCS | |
| 8 | C-.273 X 2.00 SOCKET WAFER A | |
| 8 | D-1/4-20 NYLOCK NUT | |
| 8 | E-1/4 FLAT WASHER | |

STEP 3

Attach Back to Seat and Arms using (4) 2" screws

