



Vinyl Railing and Stair Railing

For Traditional Railing with Round Metal Balusters

INSTALLATION INSTRUCTIONS



Read all instructions prior to installing product.

Refer to manufacturers safety instructions when operating any tools.

To register your product, please visit:

veranda.barretteoutdoorliving.com

⚠ WARNING:

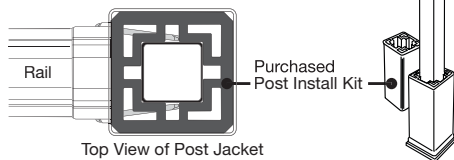
- Improper installation of this product can result in personal injury. Always wear safety goggles when cutting, drilling and assembling the product.
- Incorrect installation may cause harm to the product or individual.
- Not pool code approved.

NOTICE:

- DO NOT attempt to assemble the kit if parts are missing or damaged.
- DO NOT return the product to the store. For assistance or replacement parts call: 1-800-336-2383.

BEFORE YOU BEGIN:

Vinyl rail posts require an internal support system for weight-bearing purposes and therefore a post install kit or wood post is required inside a post jacket. Post install kit and wood post need to be purchased separately.



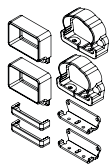
TOOLS NEEDED:

Tape Measure
Level
Drill
3/32" and 1/8" Drill Bits
#2 Square Drive Bit
3" Wood Blocks
Hacksaw
Clamps
Safety Glasses

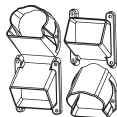
Railing & Stair Railing Components:

Description
Line Brackets & Covers*
Stair Brackets*
Angle Brackets & Covers*
Top Rails
Bottom Rails
Round Metal Balusters
Support Braces
Square Drive Screws
Adhesive Foam Strips

*Sold separately.



Line Brackets*



Stair Brackets*



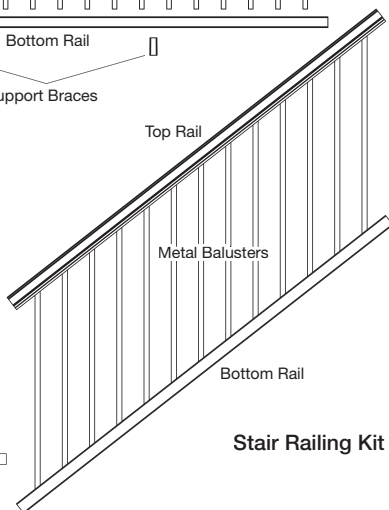
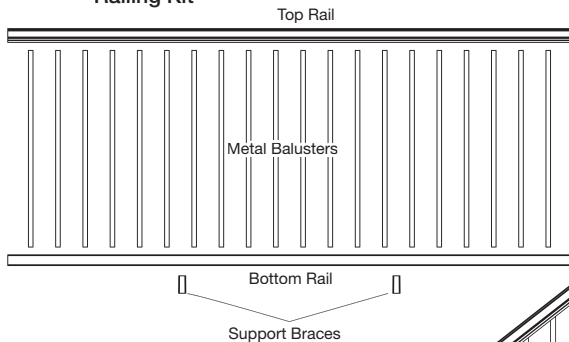
Angle Brackets*



Screws

Adhesive Foam Strips for Aluminum Balusters

Railing Kit



Stair Railing Kit

VINYL RAILING

NOTE:

Closely follow post manufacturer's installation instructions or use a Post Jacket on an existing wood 4x4.

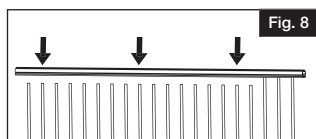
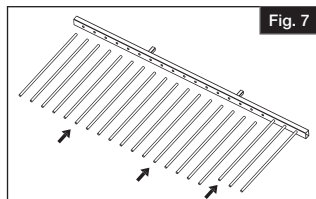
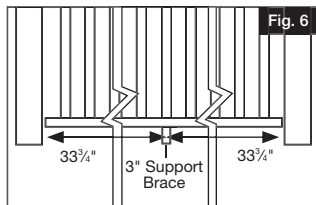
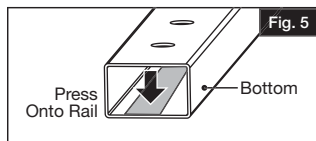
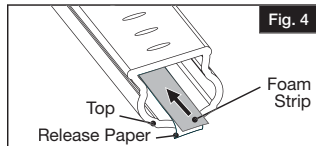
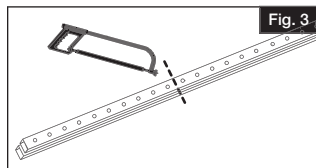
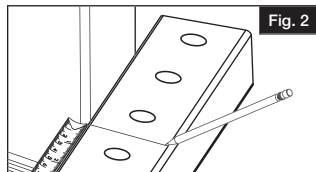
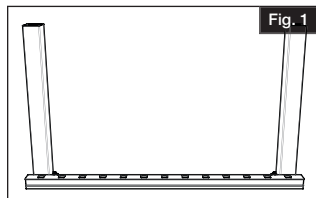
1

Cut Rails to Length:

Place bottom rail across post opening leaving equivalent spacing from the last baluster and post on each end (Fig. 1). Mark $\frac{1}{2}$ " from end of post to allow room for bracket width and expansion (Fig. 2). Align top rail with bottom rail and cut both rails with miter box or hacksaw (See blade manufacturer's specs for correct blade) (Fig. 3).

NOTE:

- You will have to cut through an aluminum insert in the top rail of an 8' section.
- Prior to installing round aluminum balusters, insert the provided foam strip into the top of the top rail and bottom of the bottom rail (sides opposite of routed holes).
- Cut foam strip to rail length.
- **DO NOT REMOVE THE RELEASE PAPER FROM ENTIRE STRIP! ONLY** remove 1" of the release paper from each end of the foam strip to expose adhesive (Fig. 4).
- Press the foam strips onto rails (Fig. 5).



2

Install Support Braces to Bottom Rail:

a. One support brace is included with 6' railing kits. Measure equal distance from both ends of railing and install support brace in center of bottom rail.

For 67 $\frac{1}{2}$ " rail: install center of support brace 33 $\frac{3}{4}$ " from ends of rail (Fig. 6).

b. Two support braces are included with 8' railing kits. Measure length of rail, divide by 3 and measure that distance from your rail to the center of your first support brace and install support brace. Repeat that step from the opposite side of your rail.

For other rail lengths: install support braces evenly.

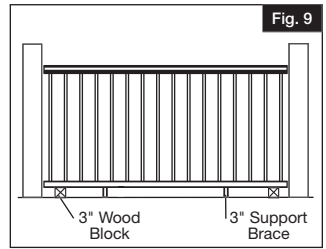
3

Assemble Railing Section:

Lay bottom rail on a clean smooth surface and slide round balusters into routed holes (Fig. 7). Then repeat the process to connect the top rail (Fig. 8).

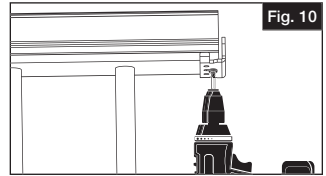
4

Cut two 3" temporary wood spacer blocks (not included) to insert under ends of railing sections to temporarily assist in aligning railing section (Fig. 9).



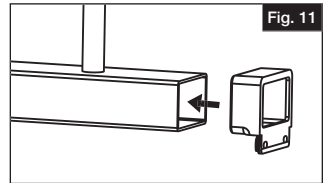
5

Screw in top rail metal brackets to underside of each end of rail, with #10 x 1 1/4" square drive screw (sold separately) in middle slot of bracket (Fig. 10). Do not tighten at this time (allows for adjustment).



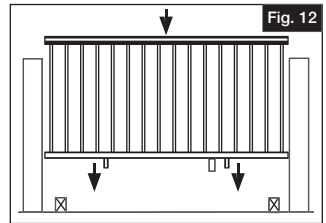
6

Slide the bottom rail bracket over bottom rail on each end (Fig. 11).



7

Slide rail section in-between posts and on top of temporary spacer blocks (position spacer blocks next to installed vinyl posts) (Fig. 12).



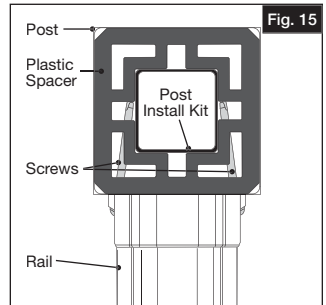
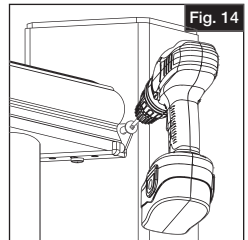
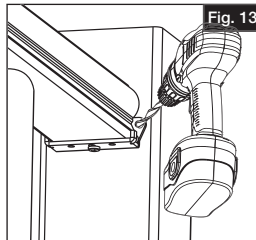
NOTE:

Be careful when moving railing between posts to prevent railing assembly from coming apart.

8

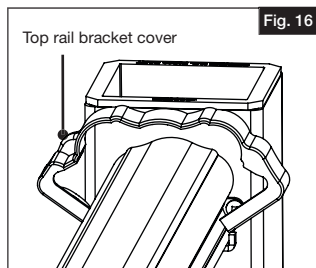
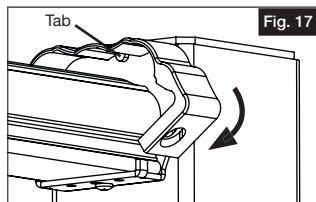
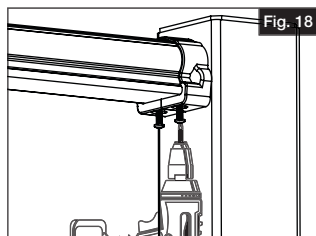
For Top Brackets:

- a. Center rail on post. Then, using a 5/32" drill bit, pre-drill the first hole on an angle through the top rail bracket, vinyl post jacket, and into wood post (or plastic spacer of post install kit) (Fig. 13).
- b. Install the #10 x 2 1/2" square drive screws (Fig. 14). Looking down from above, check to ensure screws penetrate the wood post (or plastic spacer of post install kit) (Fig. 15).

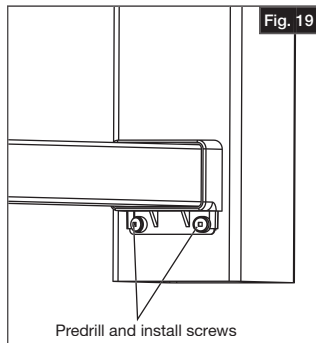


9**Top Bracket Covers:**

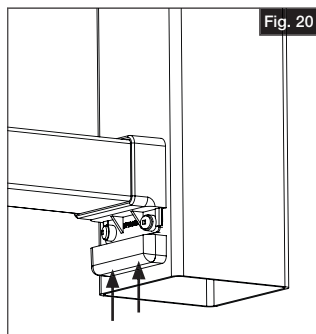
- a. Ensure the railing is centered between both posts and tighten the set screws put into the metal brackets from Step 5.
- b. Open the top rail bracket cover to allow it to wrap around the top rail (Fig. 16). While open, make sure the "tab" fits behind the rail and against the post (Fig. 17).
- c. While tightly squeezing the bracket cover closed, pre-drill using a $\frac{5}{32}$ " drill bit through the two holes underneath. Then, drive two #10 x $\frac{1}{4}$ " square drive screws through the cover, metal bracket and into the top rail (Fig. 18).

**Fig. 16****Fig. 17****Fig. 18****10****For Bottom Brackets:**

- a. Center rail on post. Then, using a $\frac{5}{32}$ " drill bit, pre-drill the first hole on an angle though the bottom rail bracket, vinyl post jacket, and into wood post (or plastic spacer of post install kit).
- b. Install the #10 x $2\frac{1}{2}$ " square drive screws (Fig. 19).

**Fig. 19****11****Bottom Bracket Covers:**

- Slide bottom bracket covers onto bottom brackets (Fig. 20).

**Fig. 20**

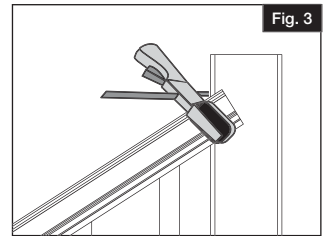
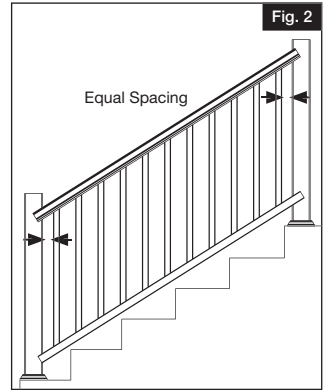
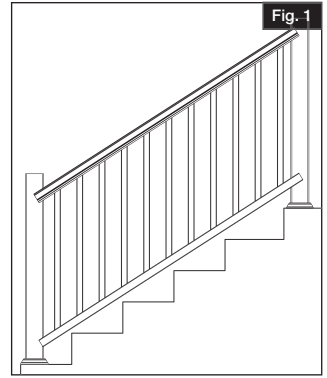
VINYL STAIR RAILING

1

Place assembled stair rail section adjacent to the mounted stair posts (Fig. 1). Measure the distance from the first and last baluster to the top and bottom posts making sure distance is equal on both sides of stair rail section (Fig. 2). Clamp into place (Fig. 3).

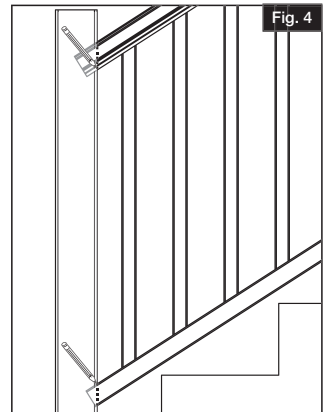
NOTE:

Some installations may require longer stair posts.



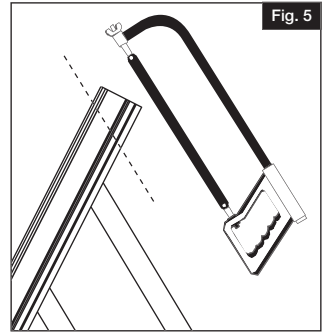
2

Trace the post onto each rail (both ends of top and bottom rails). Make four marks in total (Fig. 4).



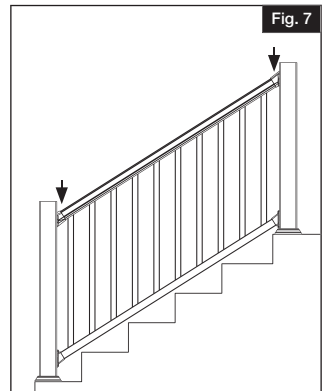
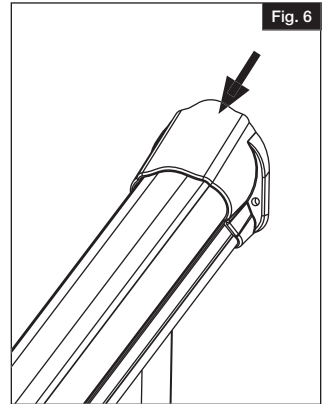
3

Remove clamped stair kit from posts. Cut along all four angled marks on rails (Fig. 5).



4

Slide the angle brackets onto the rails (Fig. 6), and place rail section between your posts (Fig. 7).



5

Mark all bracket holes (Fig. 8). Pre-drill all bracket holes with $\frac{1}{8}$ " drill bit (Fig. 9).

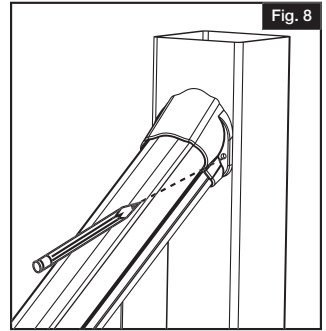


Fig. 8

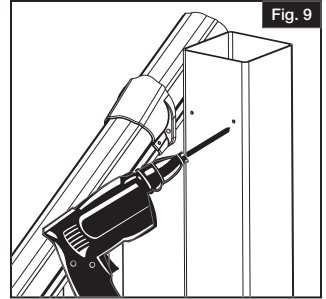


Fig. 9

6

Drive screws through brackets into post (Fig. 10). For top rail, use #10 x 2" self-tapping square drive screws (two per bracket); for bottom rail, use #10 x $1\frac{1}{4}$ " self-tapping square drive screws (four per bracket).

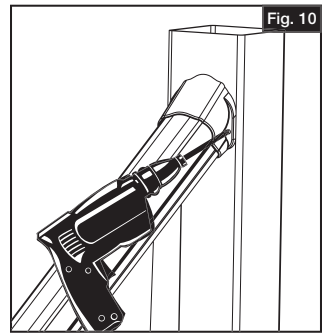


Fig. 10

7

Pre-drill one side (outside of the stair rail installation) of the top rail bracket with $\frac{5}{32}$ " drill bit. Hole should be oriented as shown, approximately $\frac{3}{8}$ " in from the end of the bracket (Fig. 11). Drive #10 x 1" pan head square drive screw through bracket and rail. Do NOT over-tighten.

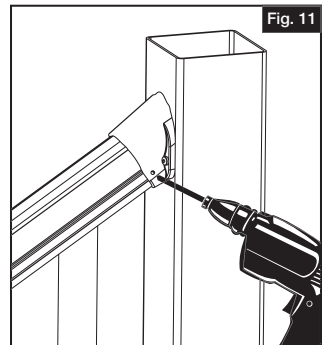
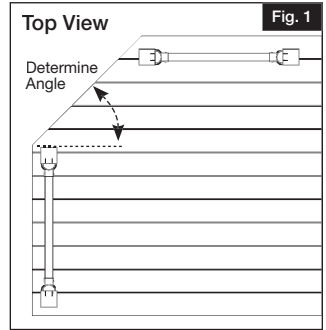


Fig. 11

ANGLE BRACKETS

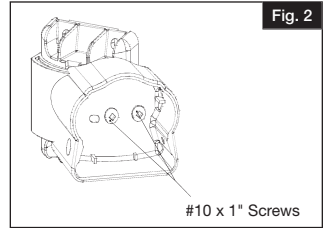
1

After posts have been installed, determine angle and height of railing (Fig. 1).



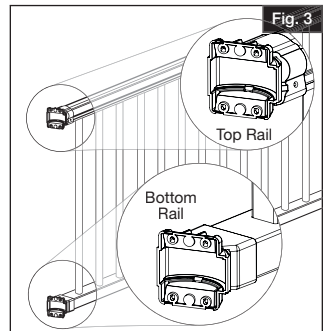
2

Pre-drill $\frac{1}{8}$ " diameter holes in base of top bracket only. Then, fasten bracket to base at the determined angle with two #10 x 1" square drive screws (Fig. 2).



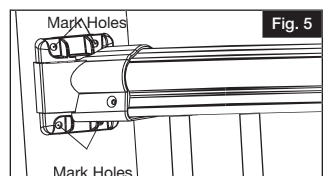
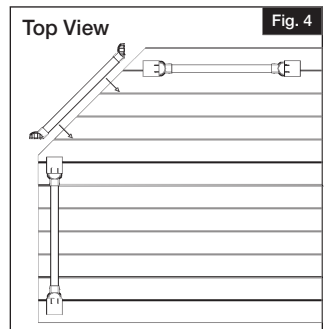
3

Cut railing to desired length. Place bracket on each end of top and bottom rails (Fig. 3). Fasten bottom bracket to base with one #10 x 1" square drive screw.



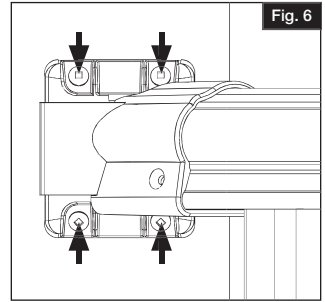
4

- Position the rail section between the posts (Fig. 4).
- Mark four screw hole locations on each bracket. Set rail section aside, then pre-drill $\frac{1}{8}$ " diameter holes in post at each mark (Fig. 5).



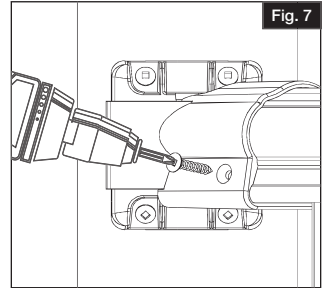
5

Attach each 2" top rail bracket with four #10 x 2" square drive screws (Fig. 6). Attach each bottom rail bracket with four #10 x 1½" screws.



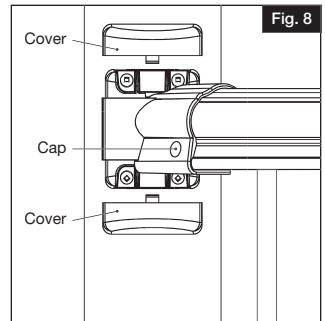
6

Pre-drill one ⅛" diameter hole through top rail and aluminum insert for each side of top rail brackets only. Fasten with #10 x 1" flat head square drive screws (Fig. 7).



7

Add two screw covers for both top and bottom brackets and add two screw caps for each top rail bracket (Fig. 8).



8

Repeat installation process for each additional rail assembly.

BARRETTE OUTDOOR LIVING

7830 FREEWAY CIRCLE
MIDDLEBURG HEIGHTS, OHIO 44130

TEL: (800) 336-2383
WWW.VERANDA.BARRETTEOUTDOORLIVING.COM

