



TABLE OF CONTENTS

Product Information

General Information.....	2
Lite Cut Information.....	3
Unit Sizing.....	4
Vent Projections.....	5

Options

Divided Lite Options.....	6
Trim & Sill Nose Options.....	7
Jamb Extender Options.....	8
Mullion Options.....	9

Sizing Details

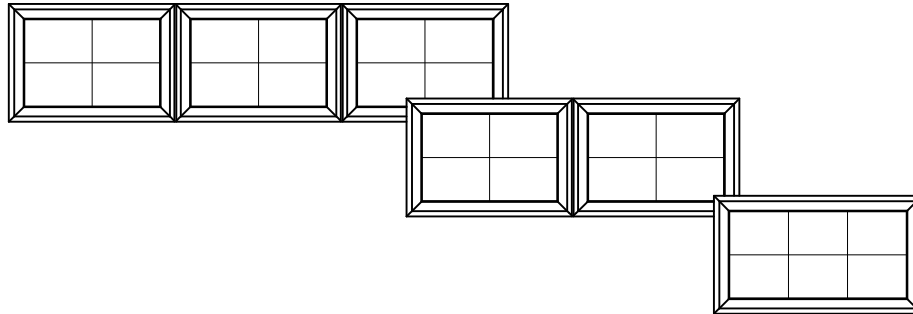
Operator Min-Max Sizing.....	10
------------------------------	----

Section Details

Operator:	
Vertical Section.....	11
Horizontal Section.....	12
Picture:	
Vertical Section.....	13
Horizontal Section.....	14



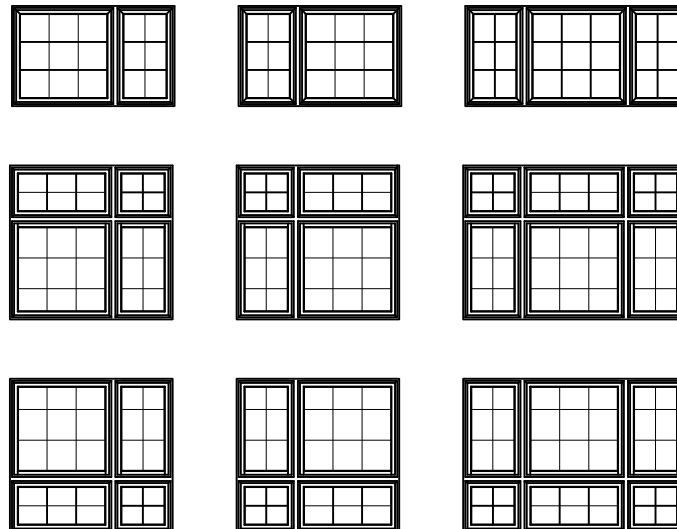
GENERAL INFORMATION



W-2500 Clad Awning Windows are available as operating, or stationary (non-venting). Operating mechanism includes corrosion resistant steel hinges and dual arm roto-type operator with hardened steel gears and operating arms. Sash locks are concealed unison type with an exposed locking lever and escutcheon plate. There are several interior hardware finish options. Refer to the Specifications for finish options. An optional traditional sash can be specified in this window. Refer to the cross sections for more details.

Multiple Assemblies

W-2500 Clad Awning Windows may be mullied above, below, or beside other clad casement windows, or other clad window products. Factory assembled mulls are limited in height (100"), width (150").

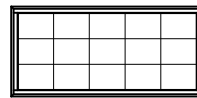


LITE CUT INFORMATION

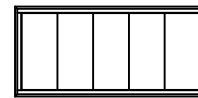
W-2500 Clad Awning Windows are available with 7/8" removable grilles, 7/8" beaded SDL, 5/8" flat GBG, or 23/32" contour GBG. Standard lite cuts are rectangular, and conform to the layouts noted in the charts on the next page. To use the chart, refer to the appropriate table by the type of window and type of bars or grilles the section drawings illustrate. Then simply cross reference the frame Height and Width to determine the standard lite cut.

Lite Cut Options

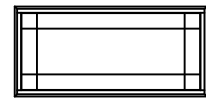
Special lite cut patterns can include a wide variety of straight line and radius patterns. The illustrations shown here represent just a few of the possibilities. Rectangular, horizontal, vertical and Prairie lite patterns are available in all standard size clad casement windows. Uneven, diamond, radius and Gothic lite cuts are available, subject to approval. Approvals are based on the ability to fulfill the design requirement while maintaining the construction integrity of the finished product.



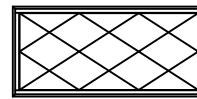
Rectangular



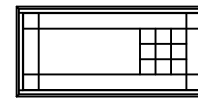
Horizontal



Prairie



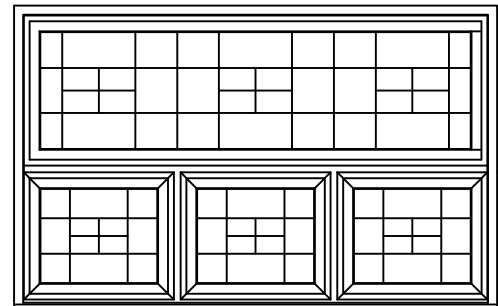
Diamond



Uneven

Bar Alignment

Alignment of divided lite muntin bars from one window to the next is often required by fine architectural design. Wood grilles, Grilles Between the Glass, grilles, and Simulated Divided Lites may be specified with muntin bars aligned.



UNIT SIZING

General Notes:

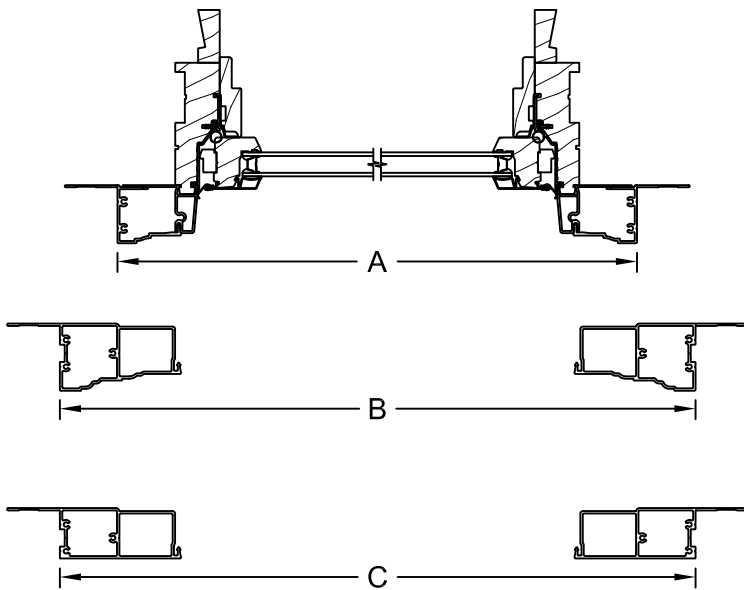
Unit size is always the maximum size of the window with or without trim and does not include nail fin.

Masonry Opening:

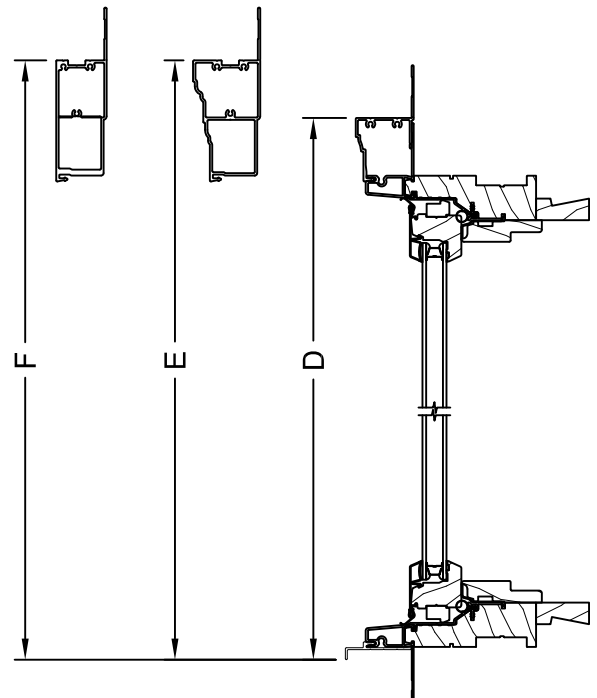
Masonry opening is always 1/2" over (height and width) the unit size or the outside of the trim of the window.

Rough Opening:

Rough opening is always 3/4" over frame size of the window.



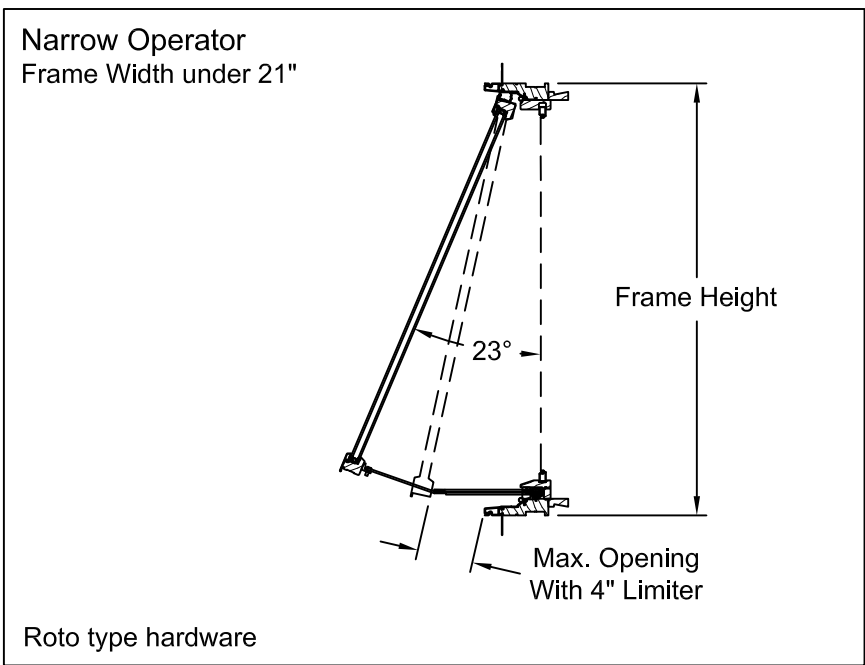
Horizontal Sections		
Trim Option	Dimension	Frame +
Brickmould	A	3"
Adams Casing	B	6"
3 1/2" Flat Casing	C	6"



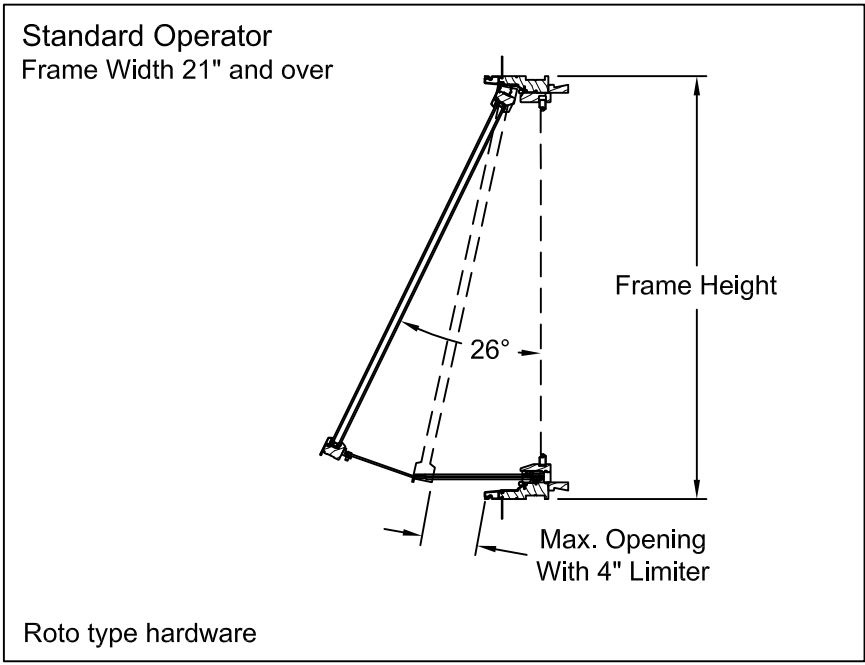
Vertical Sections (w/ Sill Nose)		
Trim Option	Dimension	Frame +
Brickmould	D	1 13/16"
Adams Casing	E	3 5/16"
3 1/2" Flat Casing	F	3 5/16"



VENT PROJECTIONS



Note: Up to 4" max opening w/
window limiter device.

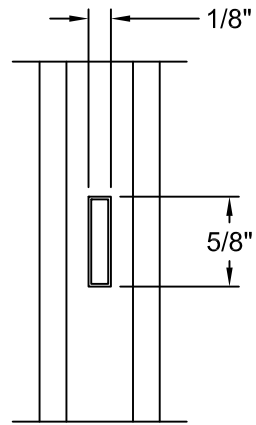


Awning Vent Projection

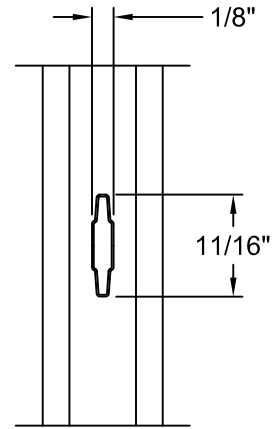
The drawings above reflect full operation. Dimensions and angles above are approximate and will vary due to frame height.



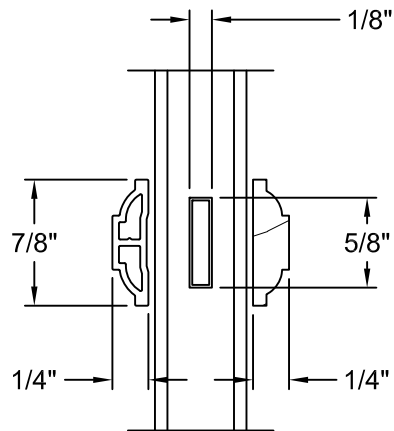
DIVIDED LITE OPTIONS



5/8" Grille



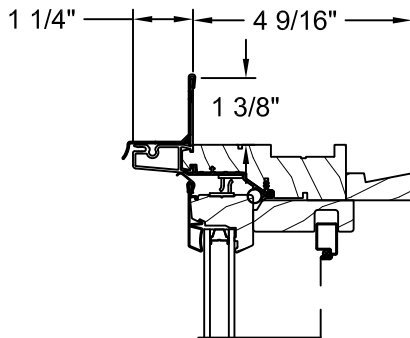
23/32" Grille



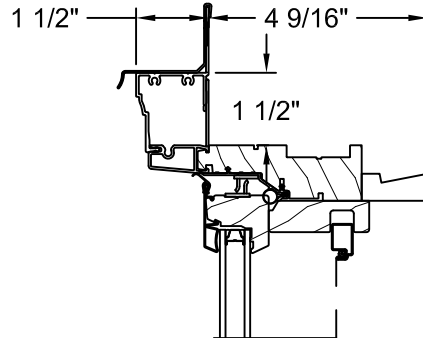
7/8" SDL



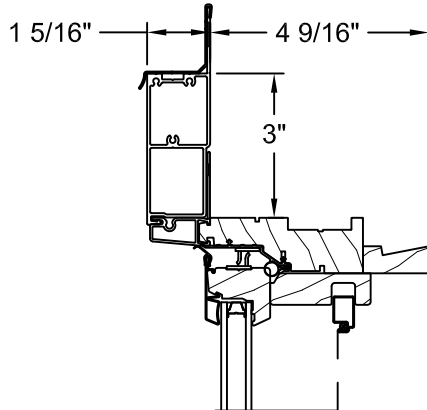
TRIM & SILL NOSE OPTIONS



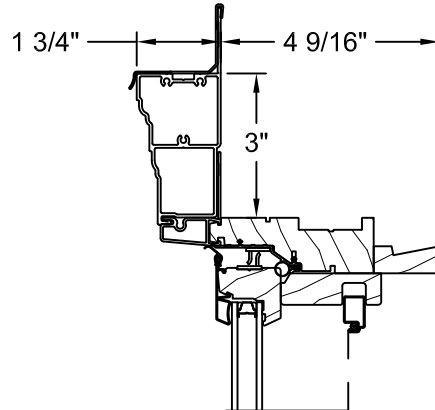
Standard



Brickmould

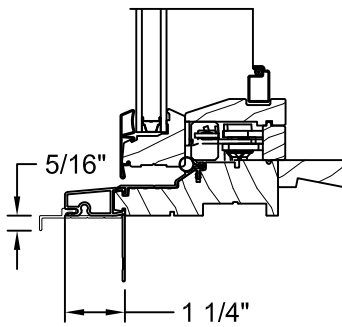


3 1/2"
Flat Casing

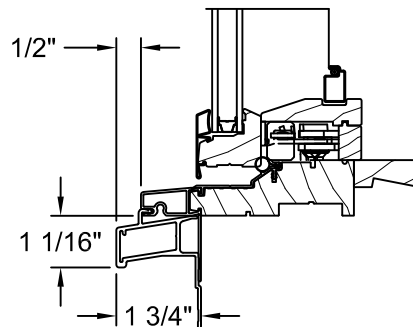


Adams
Casing

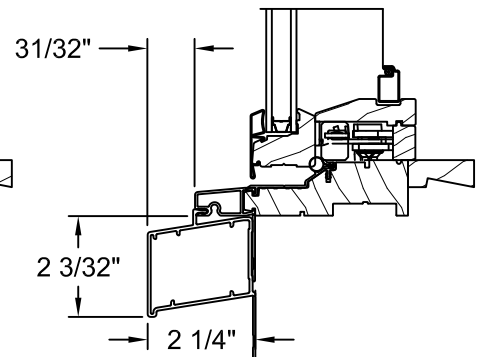
Sill Nose Options



Sill with Nail Fin



Sill with Standard Casing

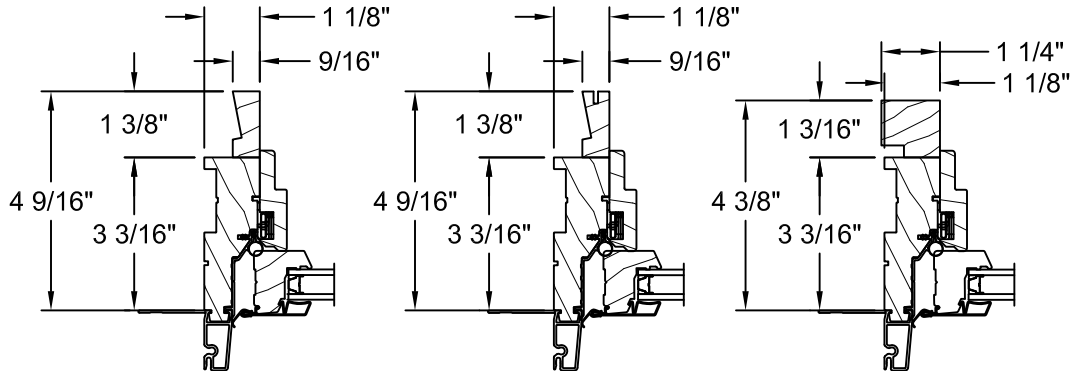


Sill with 2" Sill Nose Casing



JAMB EXTENDER OPTIONS

4 9/16" Wall

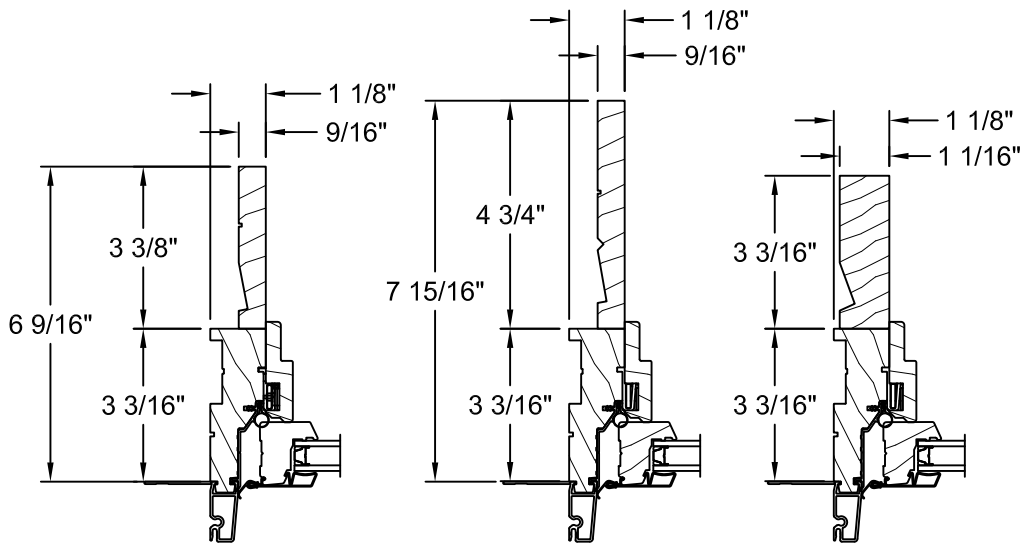


Standard 4/4
Jamb Extender

Standard 4/4
Jamb Extender
with 9/16" Kerf
Option

Standard 5/4
Jamb Extender

6 9/16" Wall



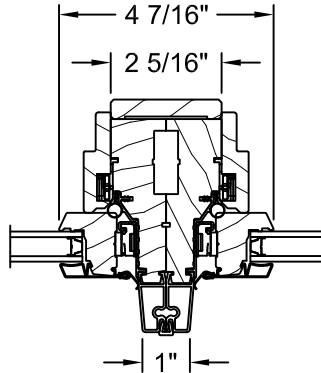
Standard 4/4
Jamb Extender

7 15/16" Wall
Max 1-PC
Jamb Extender

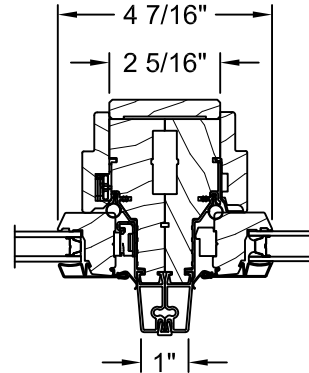
Standard 5/4
Jamb Extender



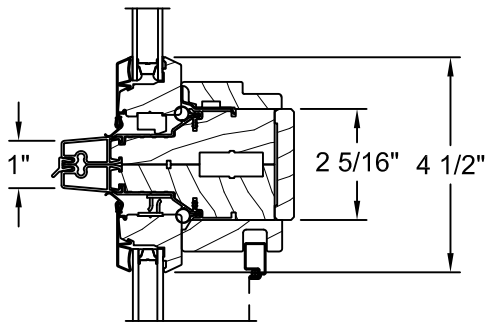
MULLION OPTIONS



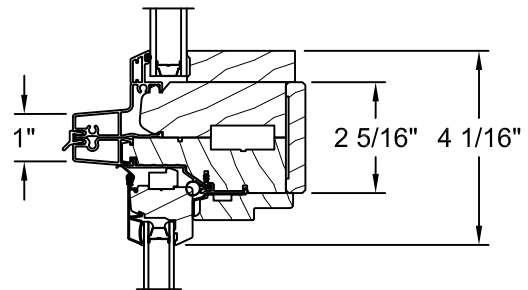
Twin Operating Awning



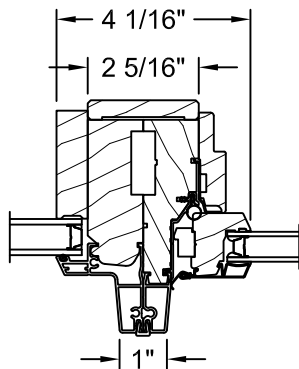
Operating Awning with
Stationary Awning



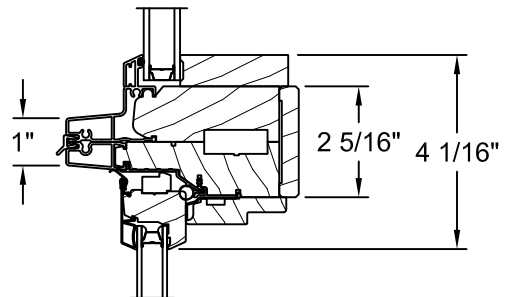
Operating Awning with
Stationary Awning



Radius over Awning



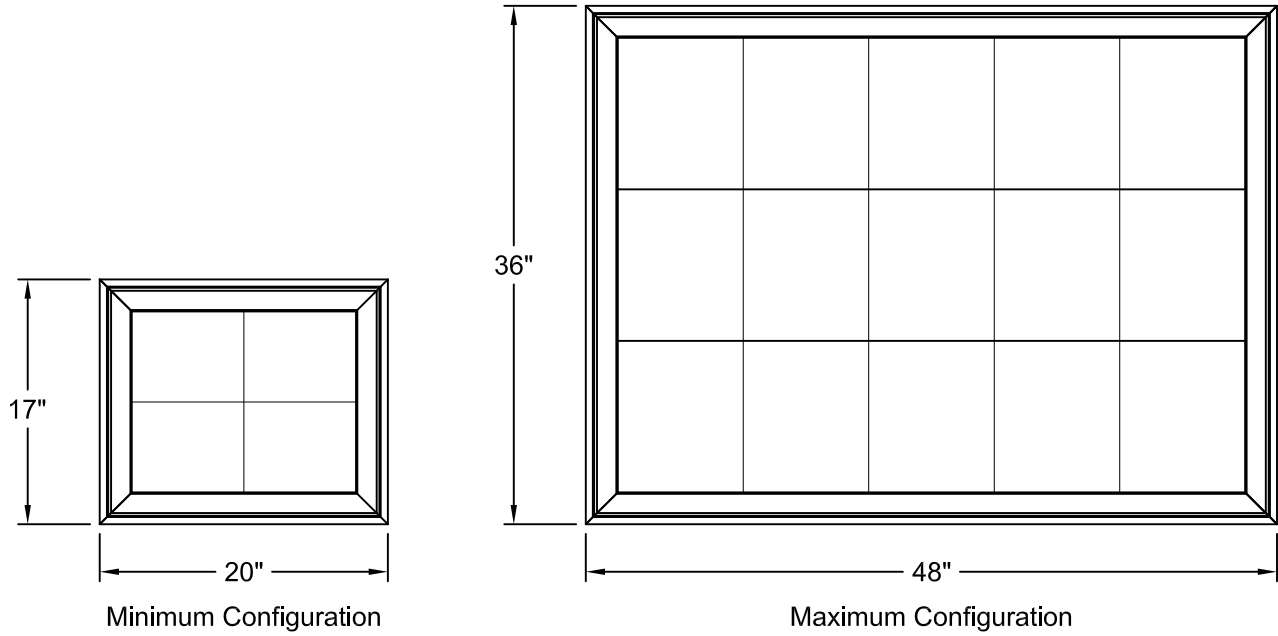
Direct Set Picture next to Awning
and/or
Direct Set Geo next to Awning



Direct Set Picture over Awning
and/or
Direct Set Geo over Awning



MIN-MAX SIZING

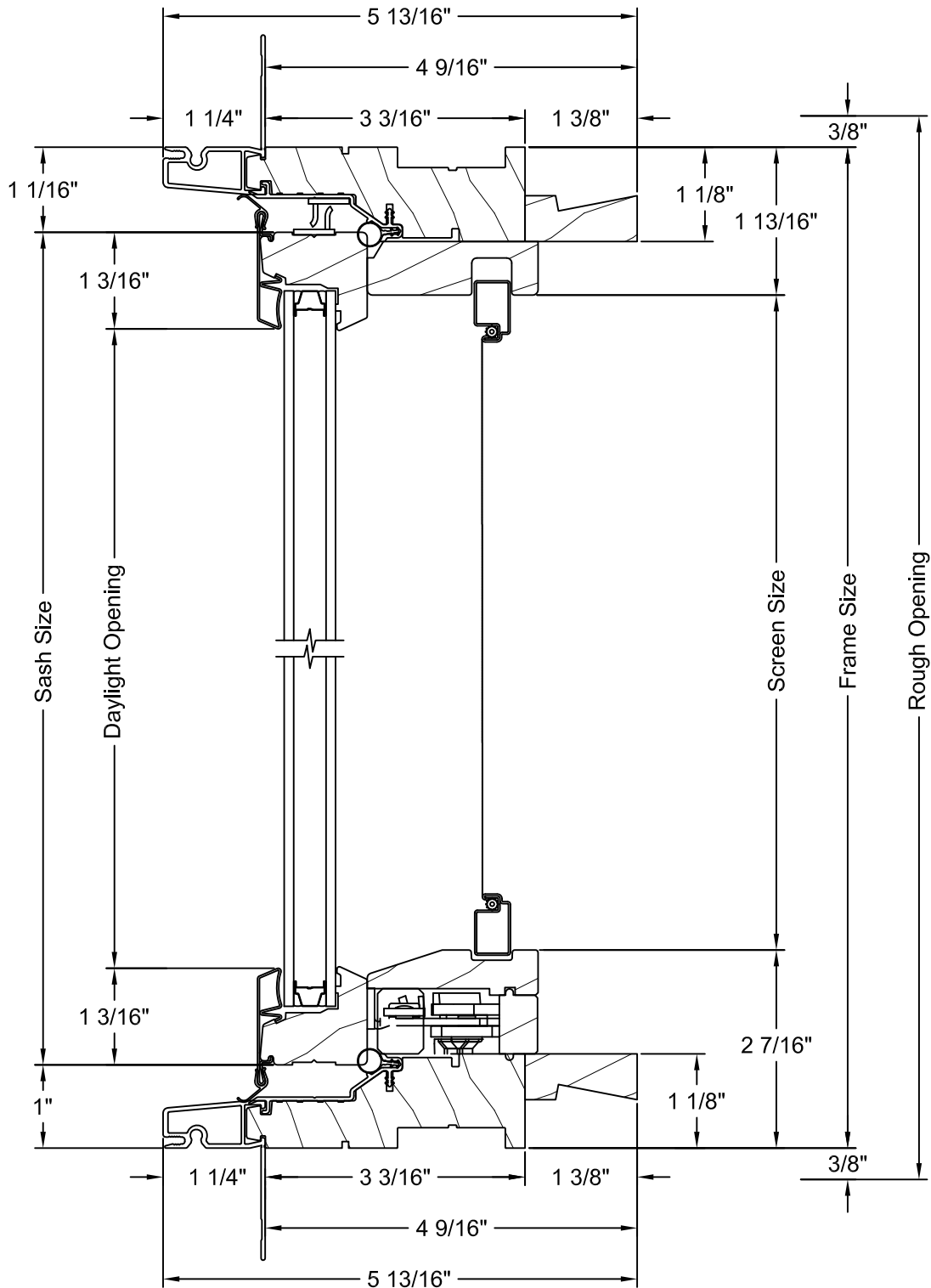


Operator Width			
20"	24"	28"	30"
36"	40"	48"	

Operator Height			
17"	20"	24"	30"
36"			

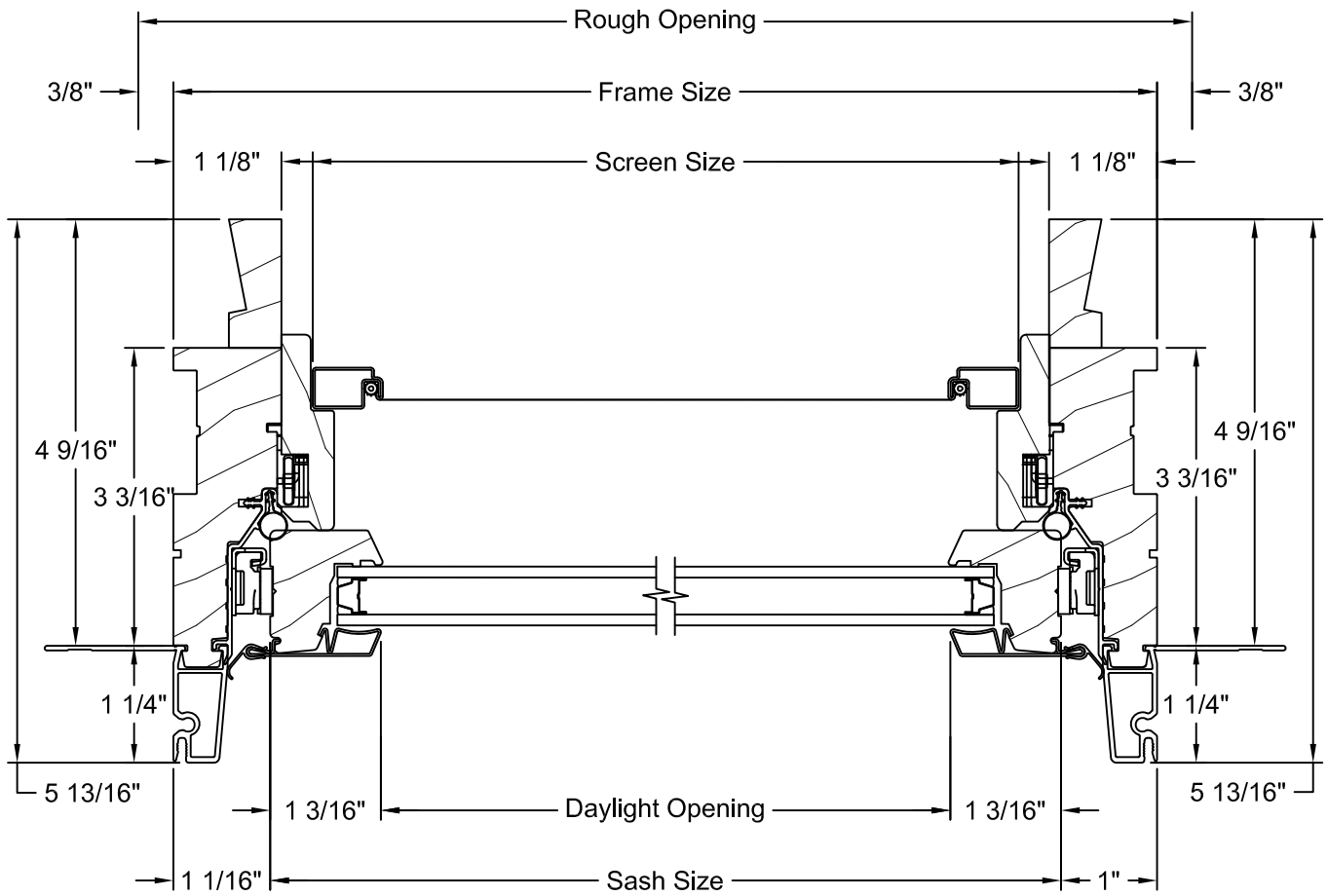


OPERATOR - VERTICAL SECTION



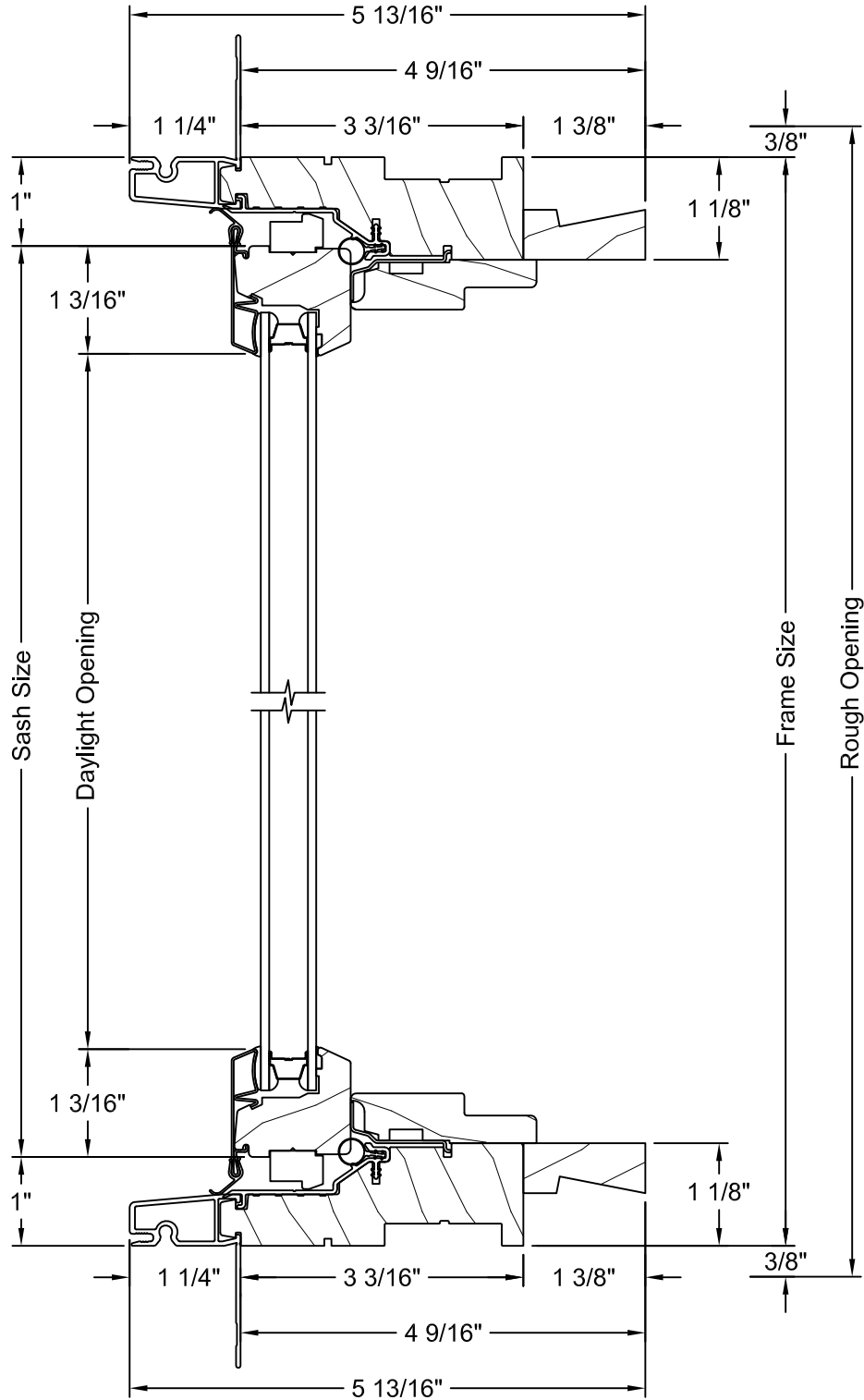


OPERATOR - HORIZONTAL SECTION





PICTURE - VERTICAL SECTION





PICTURE - HORIZONTAL SECTION

