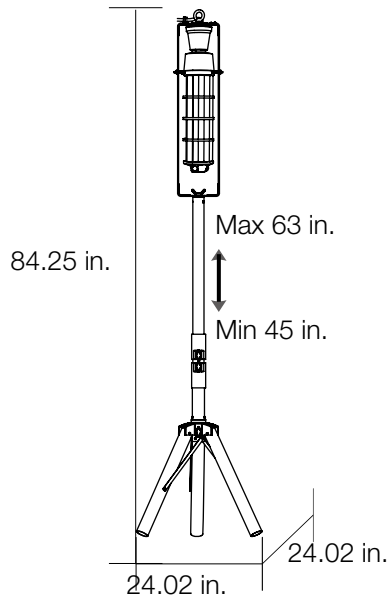


# UV-C Disinfecting Light with Tripod



62710101  
SKU # UV02-T60-PU



### SPECIFICATIONS

Model Number	62710101
SKU	UV02-T60-PU
OSMID	316007264
Power	60 W
AC Voltage, Frequency	100-120V, 50/60Hz
Color Temp (nom.)	NA
Operation Temp	14°F ~ 95°F
CRI	NA
Lumen Output (min.)	NA
Dimming	NO
Lifetime Rating	L70/90000Hrs
Efficacy	NA

### PACKAGING

Weight (±0.5 lb)	9.77 lbs
Size (L x W x H) (±0.1 in)	24.02in x 24.02in x 84.25in
Box Dimensions	11.06in x 5.94in x 26.57in
Gross Weight	13.2 lbs
UPC	849489073385

### ADVANTAGES

- 2 Year Warranty
- Inactivates 99.9% of viruses and kills bacteria
- Use Remote Control to turn on delay-start
- Two Modes of Operation: Automatic and Standard
- Delay-start turns on lamp at end of a 20-second beeper
- 4 motion-sensors: 3 PIR and 1 microwave for added safety
- Set timer for 30 / 60 / 90 / 120 minutes are selectable through the remote control
- Ozone Free
- Tripod and lamp holder / rack with 10 ft. cord included

### UVC LAMP SUGGESTED AREA AND TIME

Room Size (ft <sup>2</sup> )	Suggested Operating Time (mins)
150 SQFT (10'x15')	30
300 SQFT (15'x20')	60
450 SQFT (20'x22.5')	90
600 SQFT (20'x30')	120

### APPLICATIONS

Suitable for offices, schools, hospital, restaurants, commercial and residential use.



### INCLUDED IN BOX

- Remote Control (1)
- Adapter (E39) (1)
- Rings (1)
- Eyebolt Base (E39) (1)
- M3 Screw (2)
- M4 Screw (1)
- M5 Screw (2)
- M5 Nut (1)
- Frame (1)
- Tripod (1)