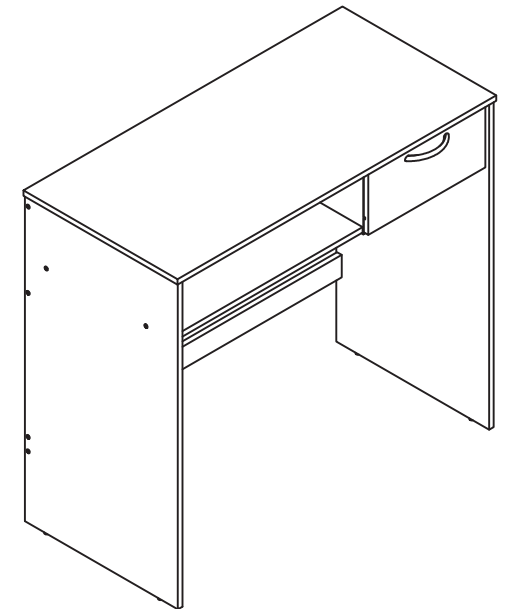
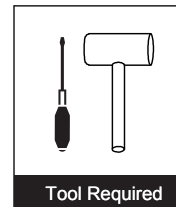
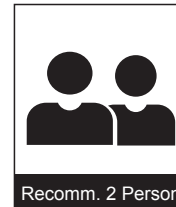
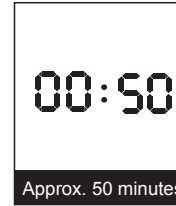




Assembly Instruction

Furinno JAYA Computer Study Desk
with Drawer

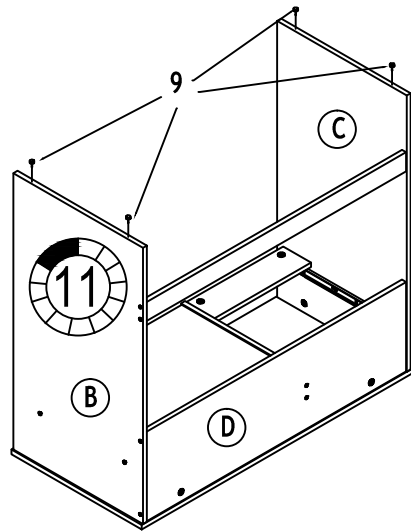
MODEL : 15117



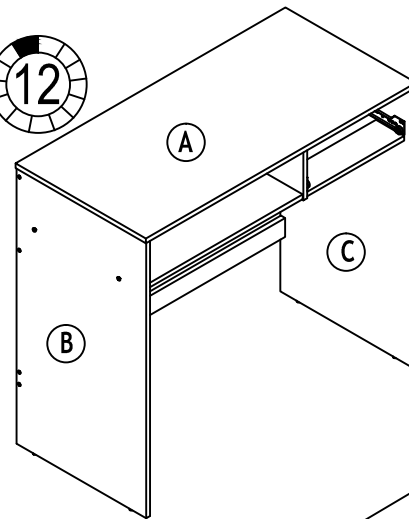
Customer Support

NEED HELP? For replacement requests or product inquiries, please contact our Customer Service Team by emailing us at support@furinno.com. Thank you for selecting Furinno!

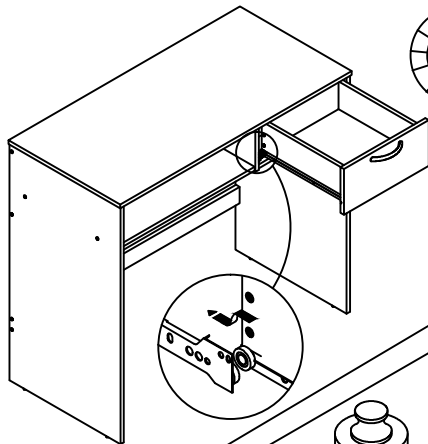
www.furinno.com



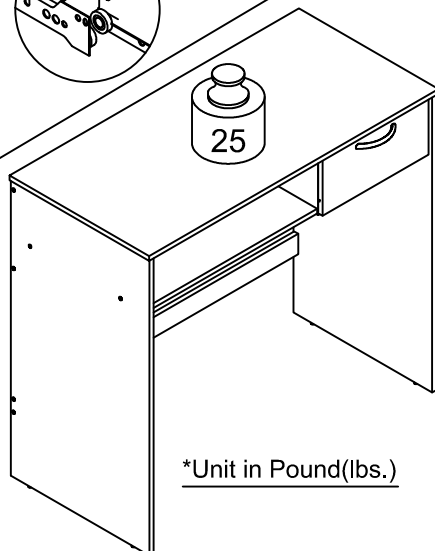
12



13



Recommended Maximum Weight



*Unit in Pound(lbs.)

WARNING:











>This unit has been designed to support the maximum loads shown. Exceeding these load limits could cause sagging, instability, product collapse, and/or serious injury.

>DO NOT allow children to climb on unit.

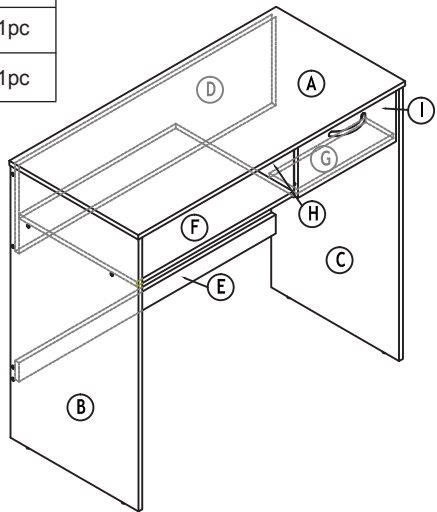
> Put heavier items on lower shelves.

HARDWARE & PARTS LIST

No	Parts List	Qty
A	TOP PANEL	1pc
B	LEFT SIDE PANEL	1pc
C	RIGHT SIDE PANEL	1pc
D	BACK PANEL	1pc
E	SMALL BACK PANEL	1pc
F	LEFT SHELF PANEL	1pc
G	RIGHT SUPPORT PANEL	1pc
H	CENTER SIDE PANEL	1pc
I	DRAWER FACE PANEL	1pc
J	DRAWER LEFT PANEL	1pc
K	DRAWER RIGHT PANEL	1pc
L	DRAWER BACK PANEL	1pc
M	DRAWER BASE PANEL	1pc

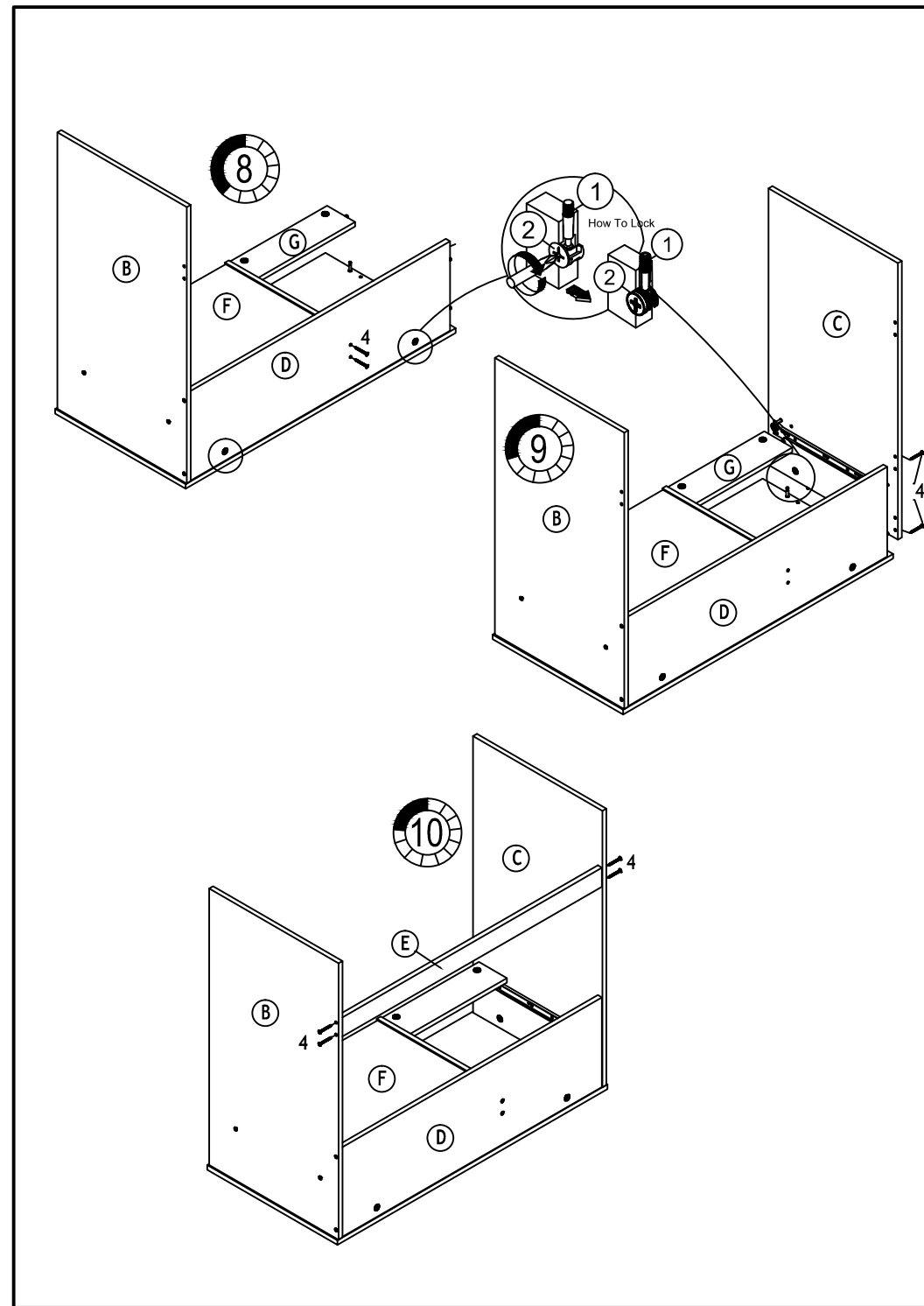
No	Hardware List	Qty
1	MINI FIX BOLT 	12pcs
2	MINI FIX CAM 	12pcs
3	SCREW A 	10pcs
4	SCREW B 	16pcs
5	SCREW C 	2pcs
6	DOWEL 	20pcs
7	HALF MOON HANDLE 	1pc
8	DRAWER RUNNER 	1set
9	NAIL LEG 	4pcs
10	ROUND STICKER 	8pcs

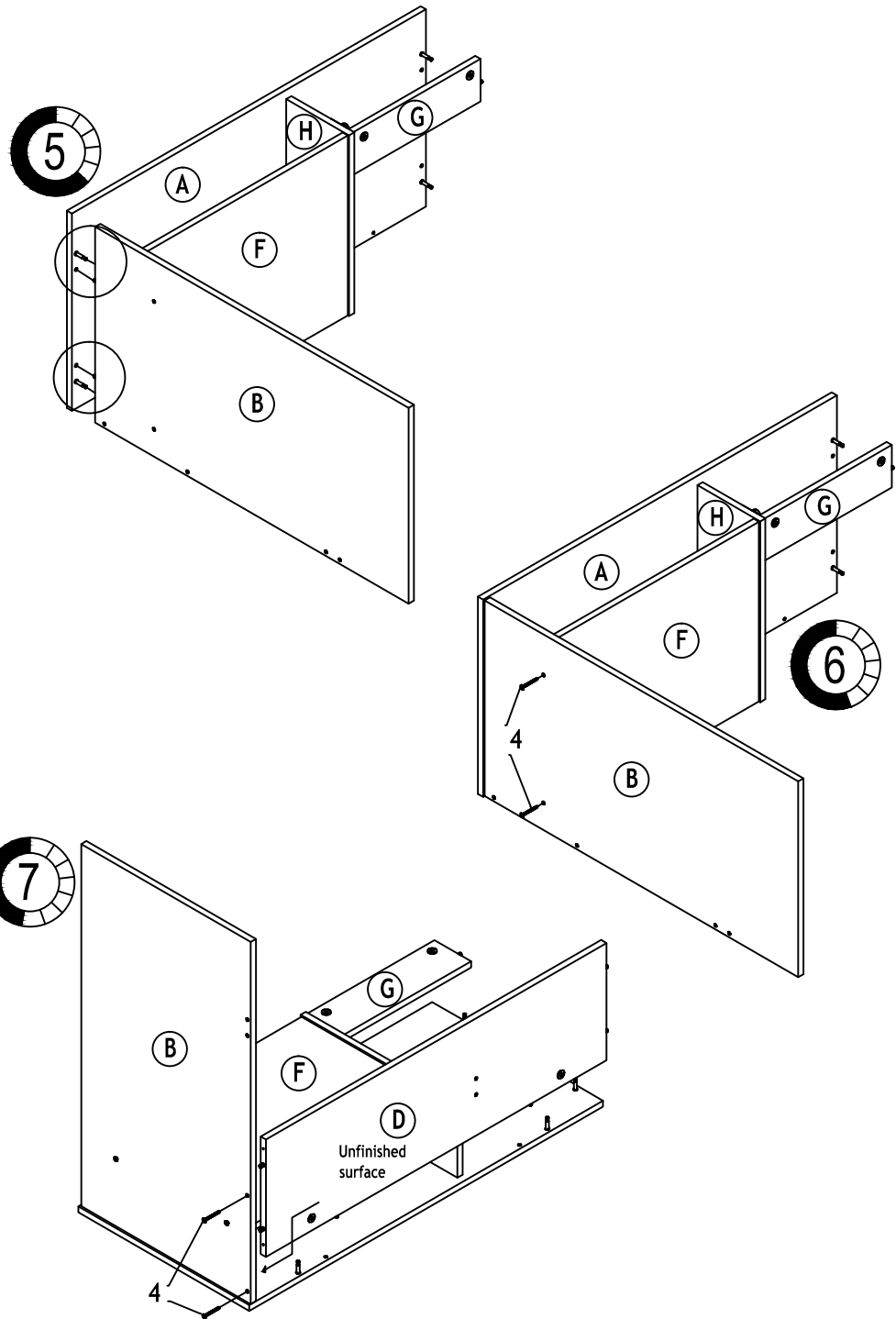
* Round sticker use to cover screw head.



USEFUL HINTS BEFORE YOU START:

1. Read each step carefully before starting.
2. It is important that each step is performed in correct order to avoid difficulties.
3. Identify, sort and count the parts before assembly.
4. Assemble your furniture on packaging cardboard to prevent scratch or damage.
5. Clean the product with mild cleanser using soft damped cloth. Do not use harsh or abrasive cleanser.
6. Using incompatible hardware might cause damage to product.

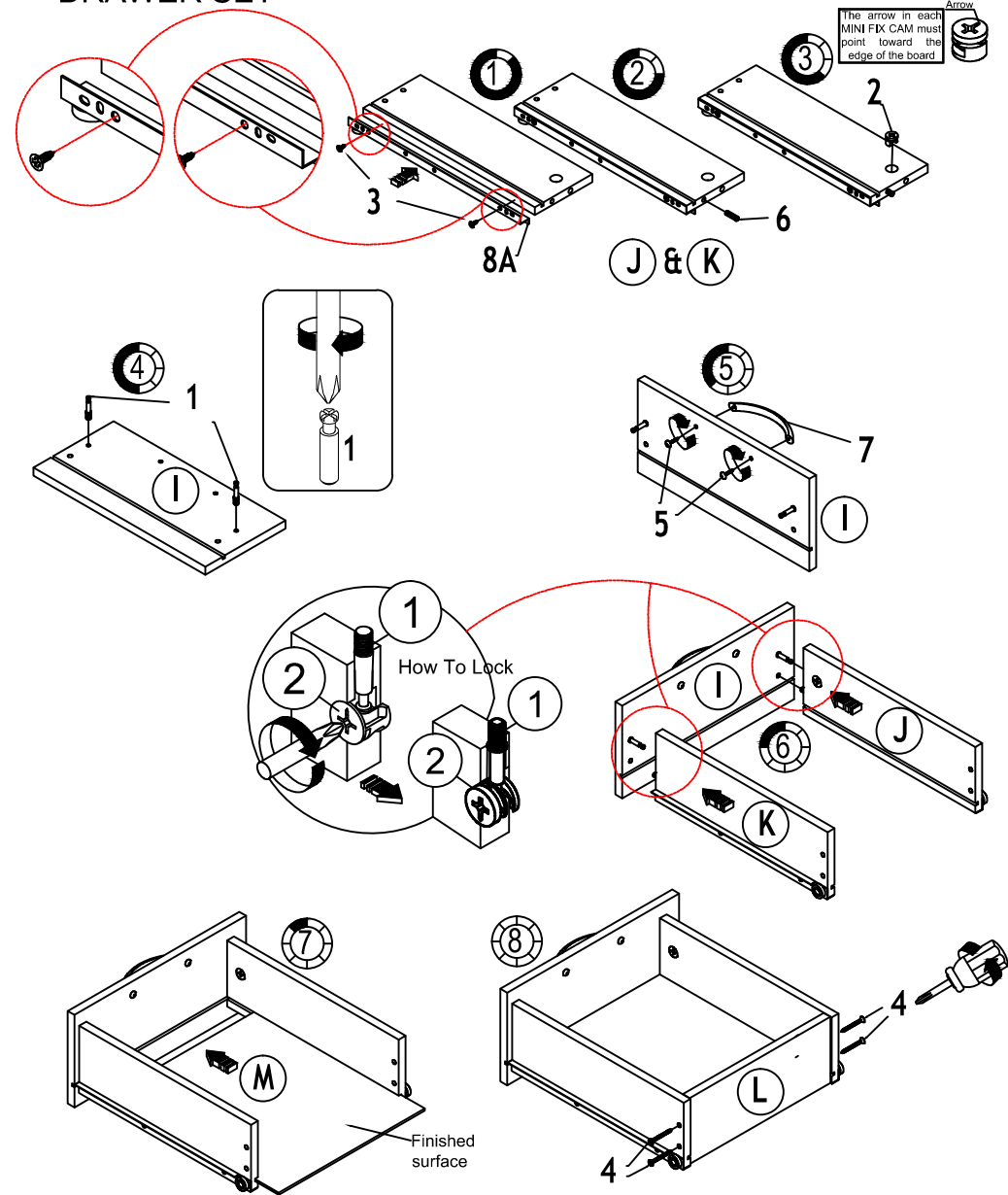




ASSEMBLY INSTRUCTIONS

BEFORE YOU BEGIN, PLEASE READ ASSEMBLY INSTRUCTION CAREFULLY, FOLLOW THEM STEP BY STEP.

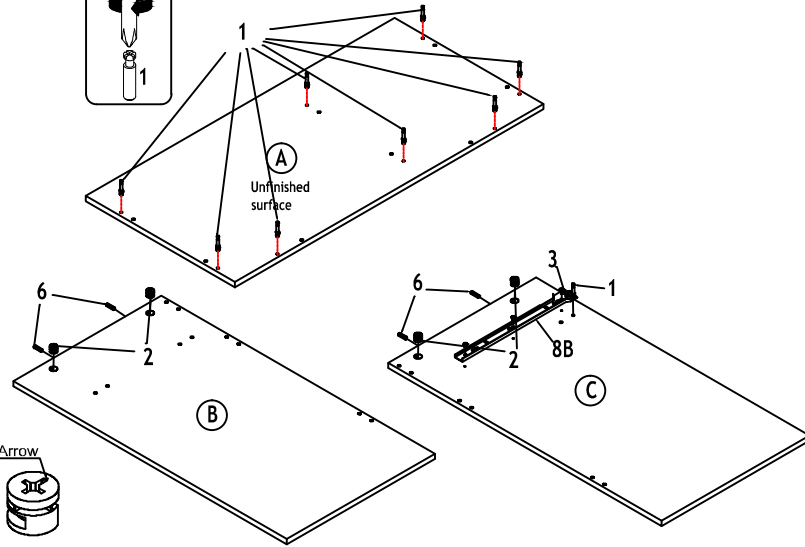
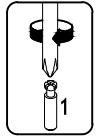
DRAWER SET



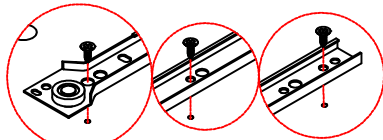
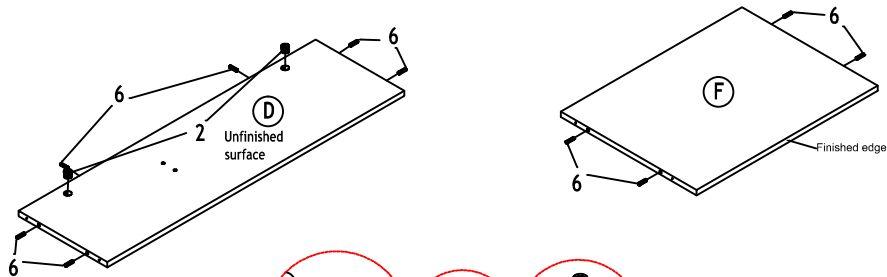
ASSEMBLY INSTRUCTIONS

BEFORE YOU BEGIN, PLEASE READ ASSEMBLY INSTRUCTION CAREFULLY, FOLLOW THEM STEP BY STEP.

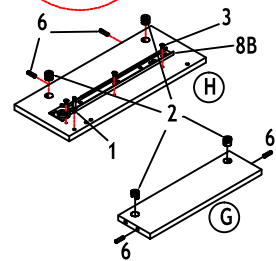
1



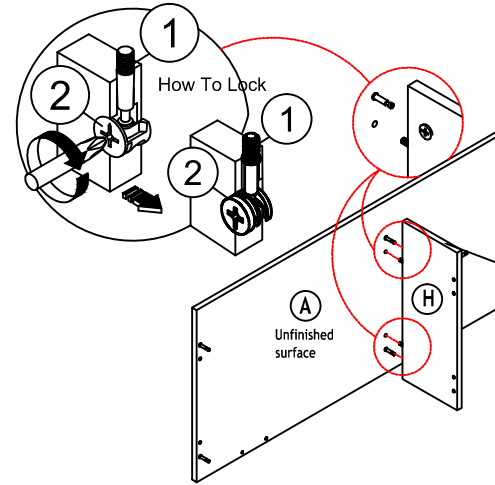
The arrow in each MINI FIX CAM must point toward the edge of the board



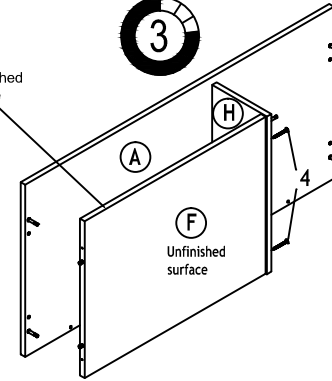
The arrow in each MINI FIX CAM must point toward the edge of the board



2



3



4

