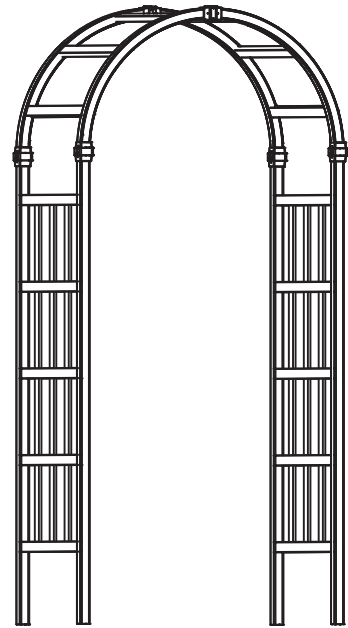




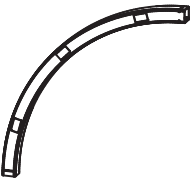

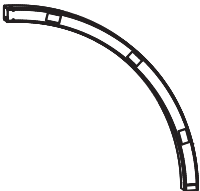

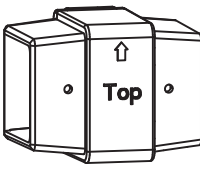
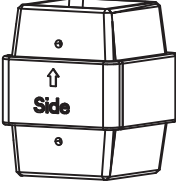
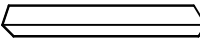



Garden Arbor

Thank you for purchasing from VINGLI!

Please contact us via email if parts are missing or damaged, we will gladly ship your replacement parts free of charge.

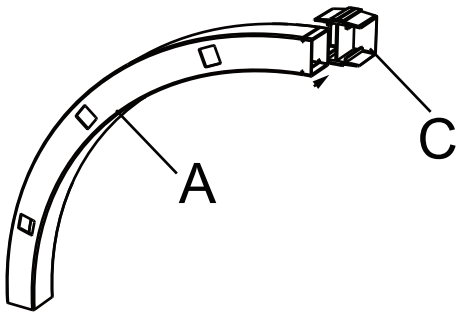


FT-VA01---Parts List

	A	2	90° Arch-Male		D	4	1 1/2" x 1 1/2" Arbor Post
	B	2	90° Arch-Female		E	6	1 1/2" x 2/5" Picket
	C	2	Top Connection		F	4	Side Connection
	G	4	1 1/2" Stake				
	H	6	1 1/2" x 7/8"	Cross Member			
	I	4	1 1/2" x 7/8"	Cross Member (With single side holes)			
	J	6	1 1/2" x 7/8"	Cross Member (With double side holes)			

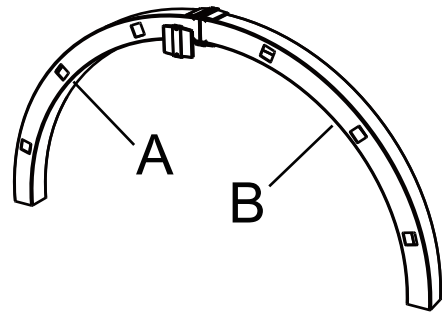
Assembly Instruction

Step 1



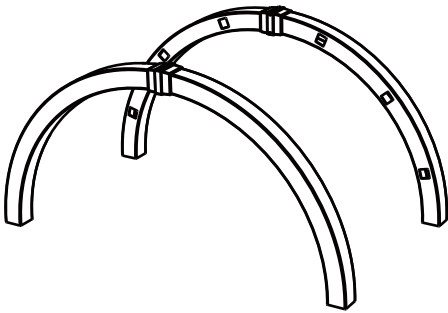
Slide one of the Arch sections into the Top Connection

Step 2



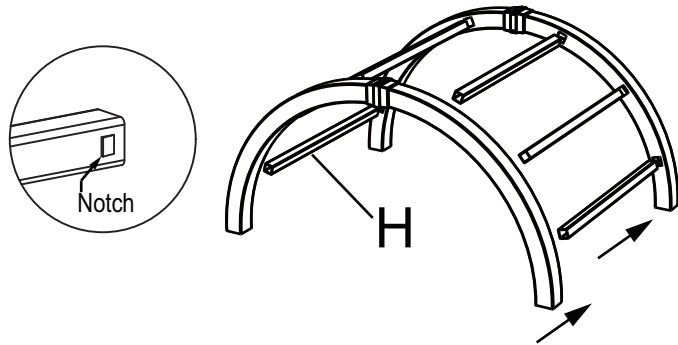
Slide second Arch section into the Top Connection then put the Connection cover. Use screw, to fix the Connection.

Step 3



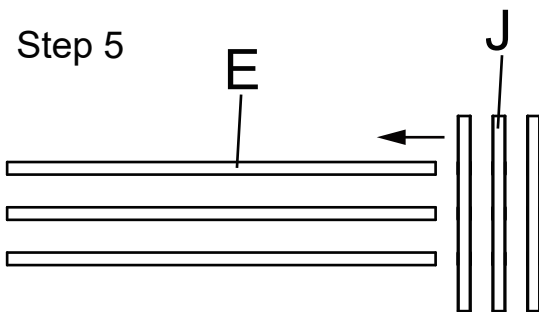
Repeat this process for the second arch. They should look as shown above.

Step 4



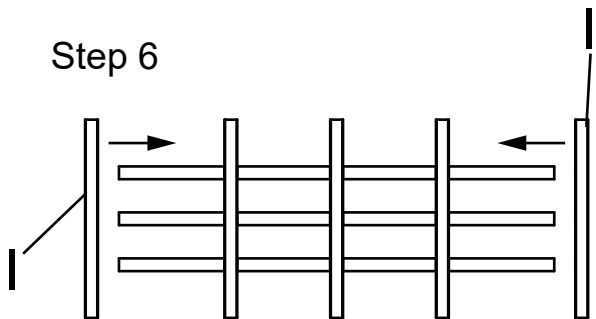
Insert (6) 1 1/2" x 7/8" Corss Member into one of the assembled Arches. Place the second Arch assembly against the opposite end of the Cross Bars and install them one at a time until both Arch halves are fully together.

Step 5



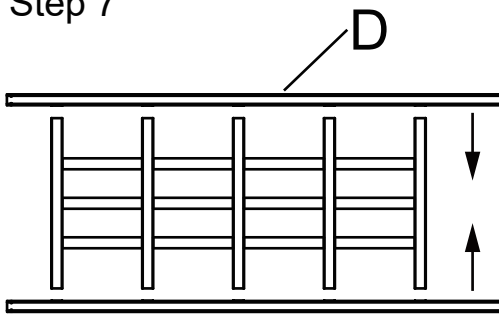
Insert (3) 1 1/2"x2/5" Picket into (3) 1 1/2" x7/8" Corss Member (With double side holes)

Step 6



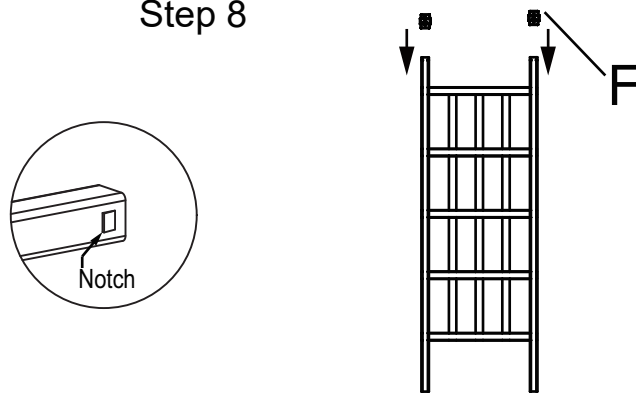
Insert (3) 1 1/2"x2/5" Picket into (2) 1 1/2" x7/8" Corss Member (With single side holes)

Step 7



Insert (5) 1 1/2" x 7/8" Corss Member into the pre-routed Arbor Post to attach (2) Arbor Post with the assembled side panel. Repeat this step to create another Arbor side

Step 8



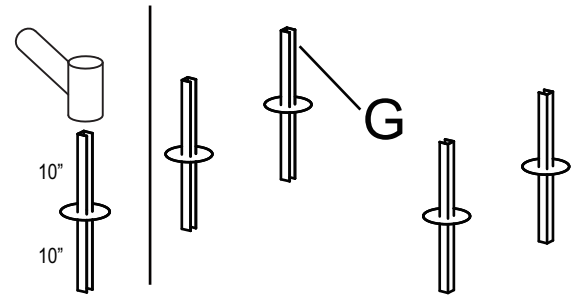
Slide two (2) Side Connection on the short ends of each of the Arbor Posts. Same as step 1 and step 2. Repeat this step to create another Arbor side.

Step 9



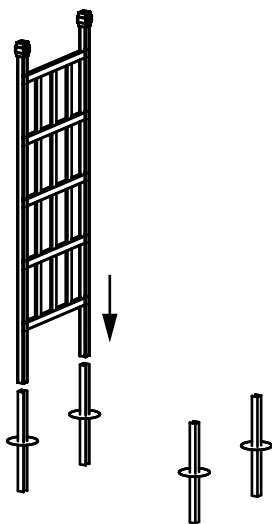
Draw four markers on the ground. The markers should be spaced apart as shown in the diagram above.

Step 10



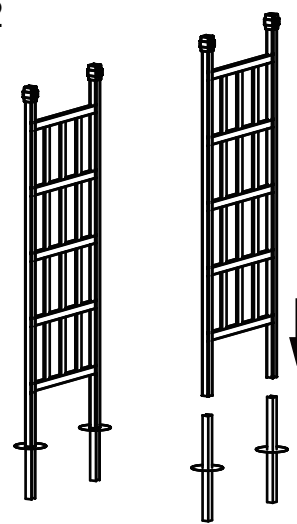
Insert the stake in the marked position. 10" above the ground and 10" under the ground. Repeat this step to insert the another three (3) stakes.

Step 11



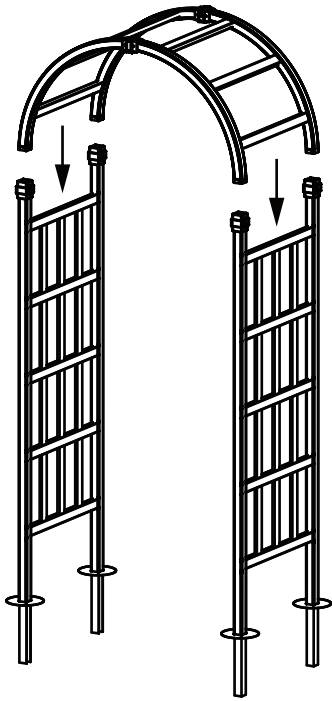
Put the assembled side panel on the stake with two (2) Arbor Post. It should be 10" stake into the Arbor Post

Step 12



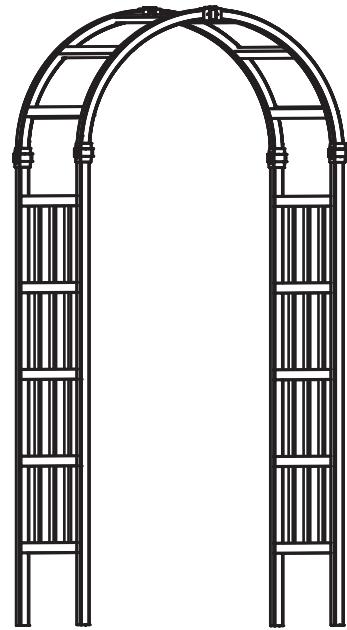
Put another assembled side panel on the stake with two (2) Arbor Post. It also should be 10" stake into the Arbor Post

Step 13



Install the Arch onto the top of the Arbor Posts as shown above.

Step 14



Perfectly completed the Arbor installation job.

Drawing

