

# OHIO STEEL INDUSTRIES



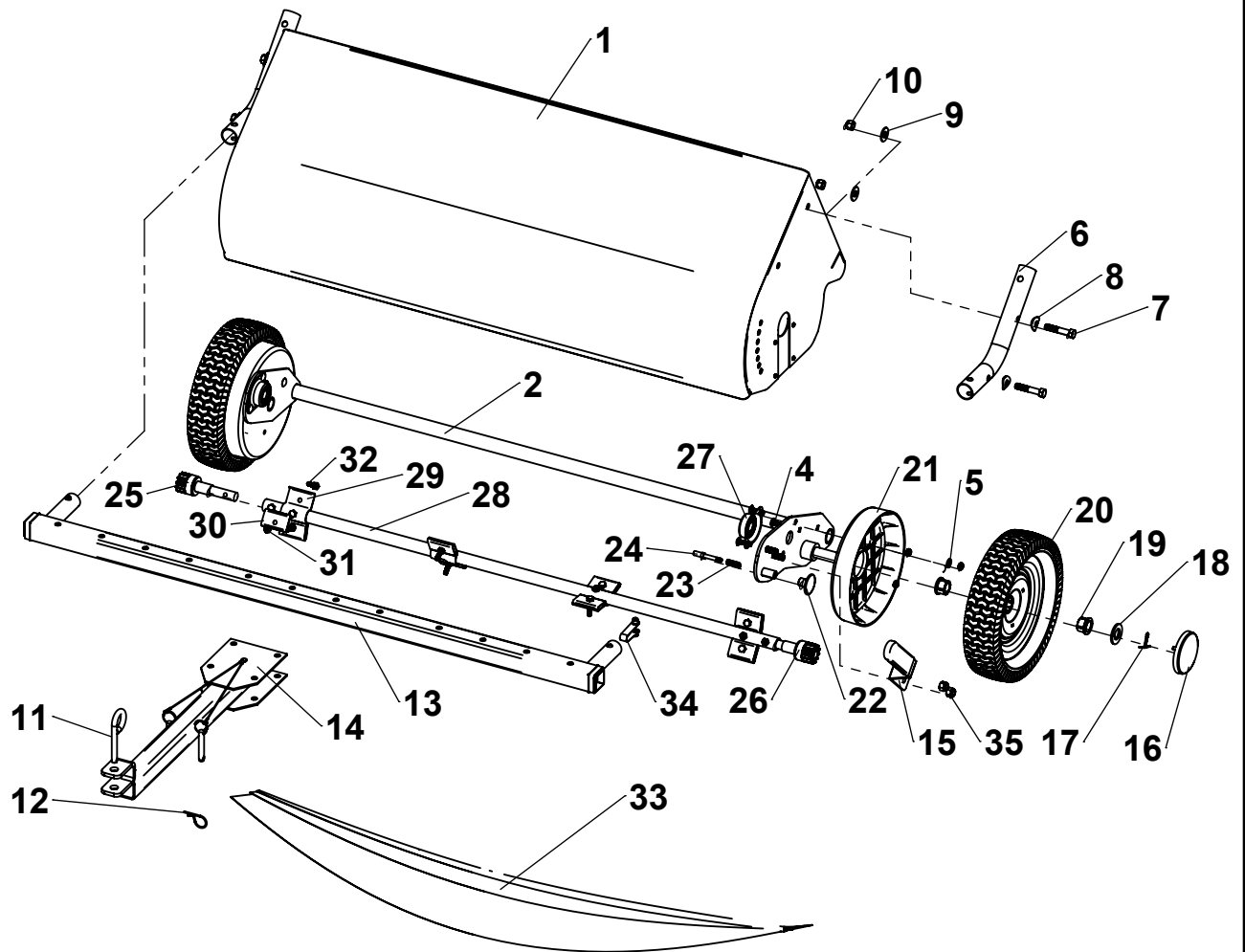
## 4624V2 24 cu ft LAWN SWEEPER

U.S. Patent No. 7,610,646



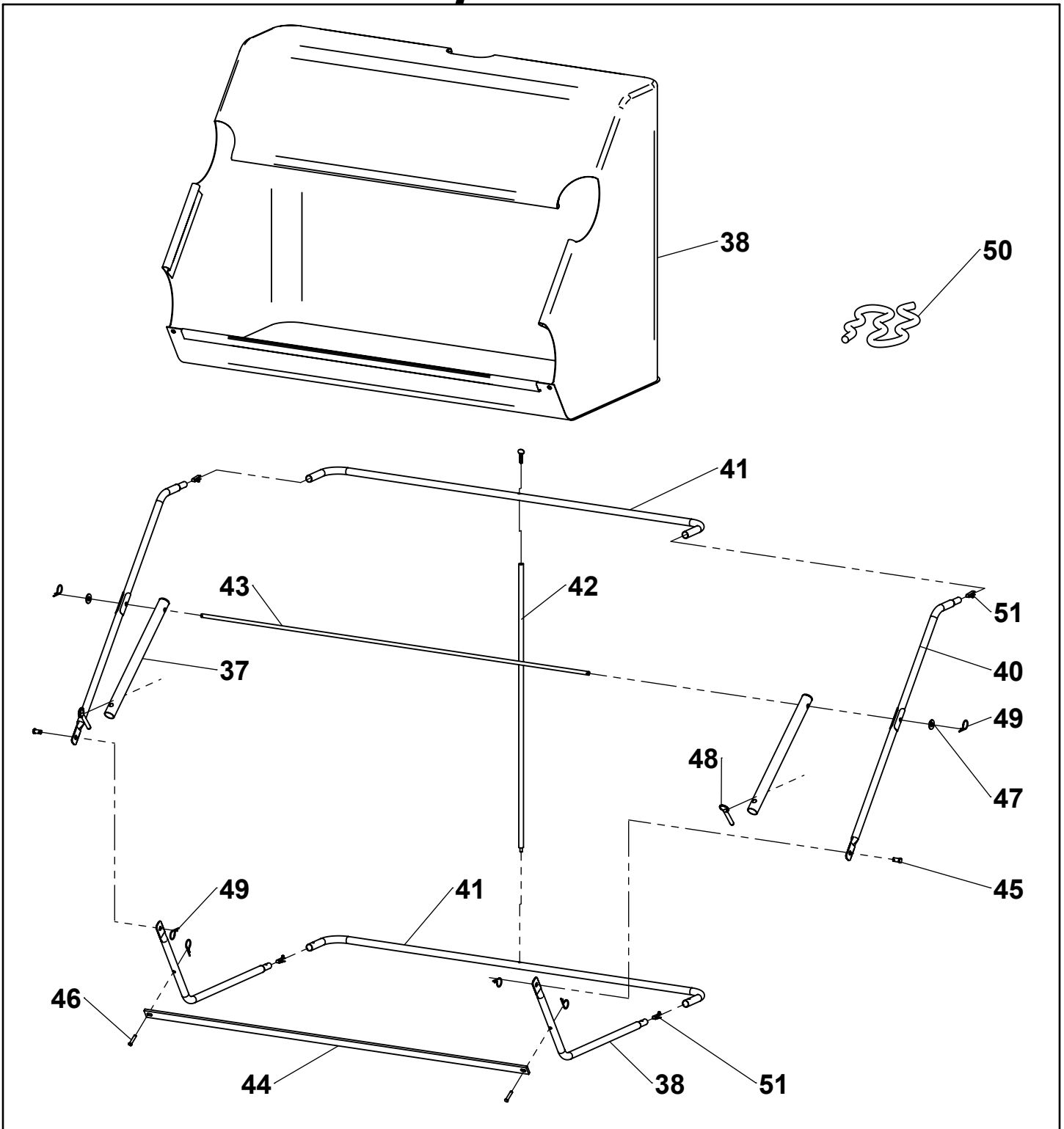
**READ AND FOLLOW ALL SAFETY RULES AND OPERATING  
INSTRUCTIONS BEFORE USING THIS EQUIPMENT**

# Repair Parts



ITEM	PART NO	DESCRIPTION	QTY.	ITEM	PART NO	DESCRIPTION	QTY.
1	6004352-G2	SWEEPER HOUSING	1	19	6000540	WHEEL BUSHING	4
2		WHEEL WELDMENT	1	20	307011	WHEEL(BUSHING INCLUDED)	2
4	6000733-ZC	1/4" -20 X 1" CARRIAGE BOLT	8	21	6000539	DUST COVER	2
5	3000716-ZC	WASHER, 1/4" SAE	4	22	6004023	PLUNGER KNOB	1
6	307034-B2	HITCH MOUNT TUBE	2	23	6004022	PLUNGER SPRING	1
7	KIT 6004344	3/8"-16 X 2" HEX BOLT	4	24	6004020-ZC	PLUNGER PIN	1
8		CURVED WASHER, 3/8" USS	4	25	KIT 6000828	PINION ASSEMBLY, RIGHT	1
9		WASHER, 3/8" USS	4	26		PINION ASSEMBLY, LEFT	1
10		NYLOCK NUT, 3/8-16 UNC	4	27	6000828	BEARING ASSEMBLY	2
11		3" HITCH PIN	1	28	6002313-B2	SPIRAL BRUSH TUBE	1
12	HAIRPIN	1	29	307122-ZC	STEEL BRACKET	4	
13	6004208-B2	HITCH CROSS TUBE ASSEMBLY	1	30	307121-ZC	STEEL CLAMP	8
14	6003965-B2	HITCH ASSEMBLY	1	31	300065-ZC	1/4" -20 LOCK NUT	22
15	6003957-B2	HEIGHT ADJ. HANDLE	1	32	3000539-ZC	1/4" -20 X 1-1/4" BOLT	14
16	307241	WHEEL CAP	2	33	6002314	46" SPIRAL BRUSH	2
17	300081-ZC	COTTER PIN, 1/8" X 1-1/2"	2	34	6000222-ZC	SNAP BUTTON	2
18	3000721-ZC	WASHER, 3/4" SAE	2	35	3000618-ZB	NYLOCK NUT, 3/8-16 UNC	2

# Repair Parts



ITEM	PART NO.	DESCRIPTION	QTY	ITEM	PART NO.	DESCRIPTION	QTY
37	307032-B2	CONNECTING TUBE	2	45	KIT 6004344	CLEVIS PIN, 3/8" X 1/2"	2
38	6002868	HOPPER BAG	1	46		CLEVIS PIN, 1/4" X 1-1/4"	2
39	KIT 6004287-B2	BOTTOM FRAME TUBE	2	47		3/8" USS FLAT WASHER	2
40		TOP FRAME TUBE	2	48		QUICK-RELEASE PIN	2
41		CENTER FRAME TUBE	2	49		HAIRPIN	6
42		TENSION TUBE ASSEMBLY	1	50	307361	DUMP ROPE	1
43	6002318-B2	HOPPER PIVOT ROD	1	51	6000208-ZC	SNAP BUTTON	4
44	6002316-B2	HOPPER STOP BAR	1				