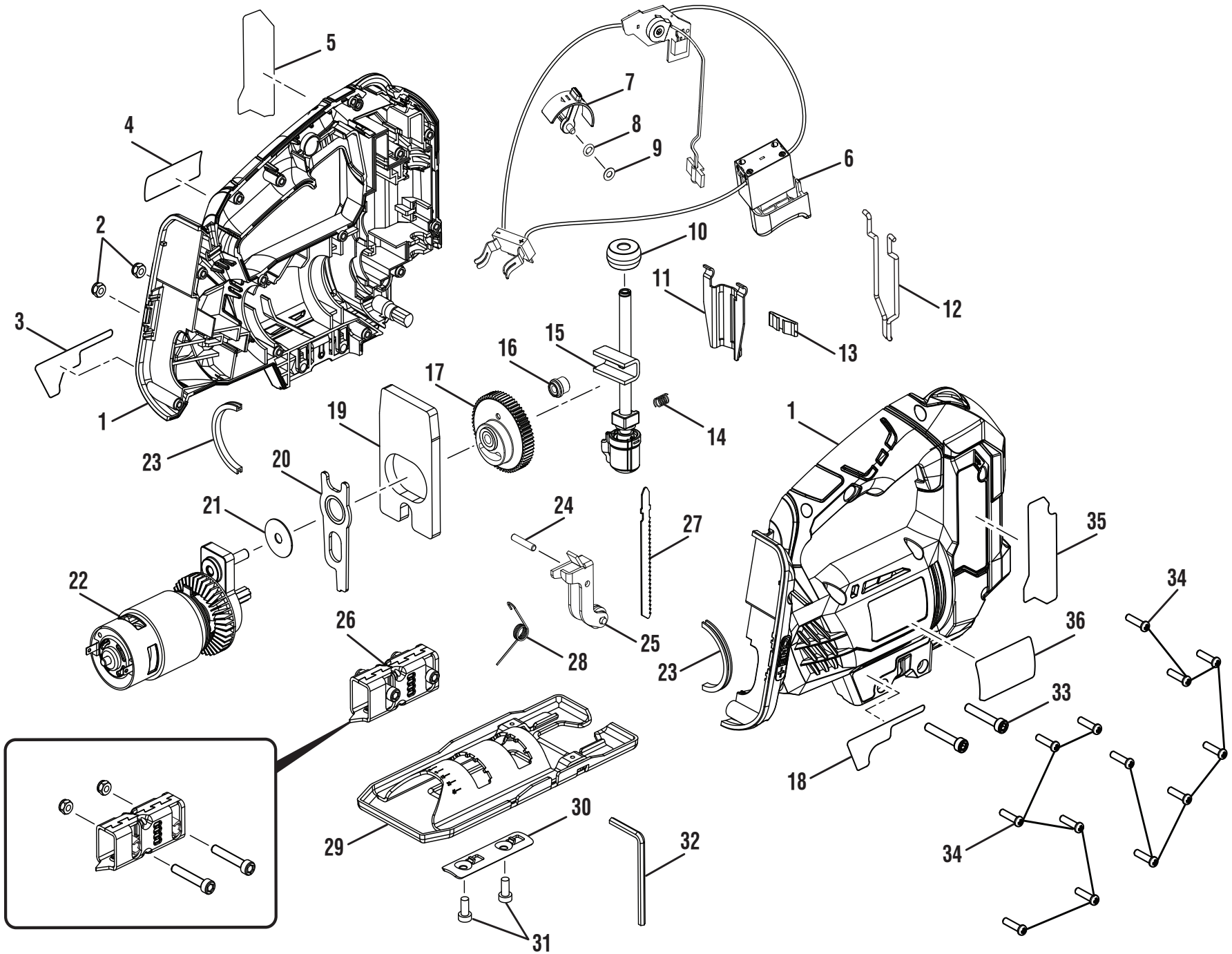


**RYOBI**  
**18 Volt Jig Saw**  
**Model No. P5231**  
**Repair Sheet**

RYOBI 18 VOLT JIG SAW - MODEL NUMBER P5231



## RYOBI 18 VOLT JIG SAW – MODEL NUMBER P5231

The model number will be found on a label attached to the motor housing. Always mention the model number in all correspondence regarding your **JIG SAW** or when ordering repair parts.

### PARTS LIST

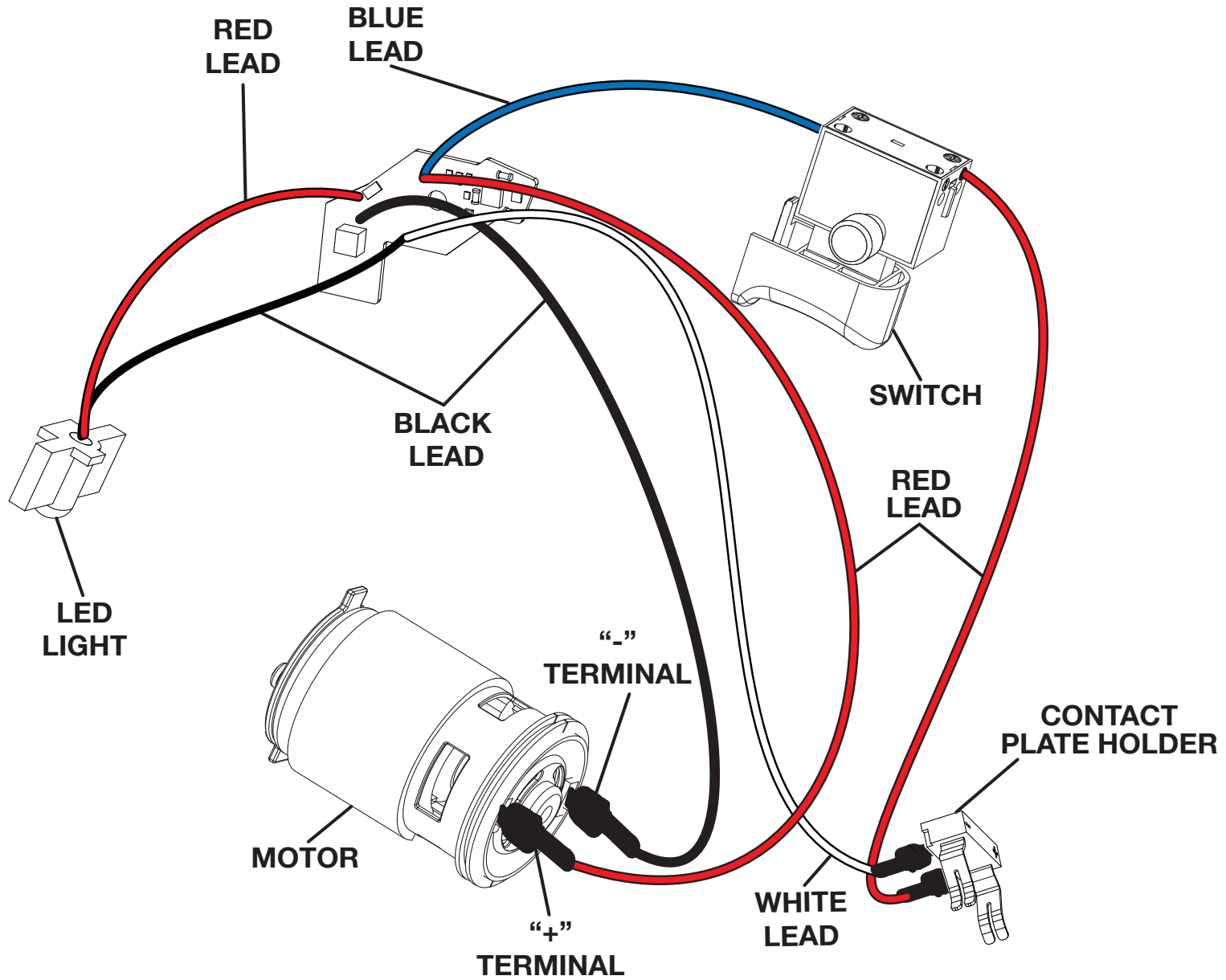
KEY NO.	PART NUMBER	DESCRIPTION	QTY
1	202953001	Housing Assembly (Inc. Key No. 23) .....	1
2	670974003	Lock Nut (M5) .....	2
3	941003240	BladeSaver Label.....	1
4	940114178	Ryobi Logo Label.....	1
5	941003239	Orbital Label .....	1
6	202955001	Switch Assembly .....	1
7	526393001	Speed Dial .....	1
8	560174001	O-ring.....	1
9	680865001	Washer (8.5 mm x 4.2 mm x 1 mm).....	1
10	611841001	Bushing.....	1
11	630845001	Guide Plate .....	1
12	634964002	Metal Wire (Blade Guard).....	1
13	631252001	Spring Plate .....	1
14	693240001	Compression Spring .....	1
15	304944009	Saw Bar Assembly.....	1
16	202956001	Drive Bushing Assembly.....	1
17	202957001	Gear Assembly .....	1
18	941003241	BladeSaver Label (French/Spanish).....	1
19	611716002	Counterbalance .....	1
20	301627001	Drive Plate Assembly.....	1
21	630844001	Washer.....	1

KEY NO.	PART NUMBER	DESCRIPTION	QTY
22	206192001	Motor Assembly.....	1
23	570264001	Rubber Cushion.....	2
24	673058001	Pin.....	1
25	305061001	Guide Holder Assembly .....	1
26	202954001	Bracket Assembly (Inc. Key Nos. 2 and 33).....	1
27	681849001	Wood Cutting Blade.....	1
28	693114003	Torsion Spring.....	1
29	634908001	Base Assembly .....	1
30	634911001	Clamp Plate .....	1
31	661276002	Screw (M5 x 10 mm, Hex. Soc. Hd.) .....	2
32	694108001	Hex Key (M4) .....	1
33	T662035001	Screw (M5 x 25 mm, Hex. Soc. Hd.) .....	2
34	660024018	Screw (M4 x 16 mm, T-20 Pan Hd.).....	13
35	941003238	Orbital Label (French/Spanish) .....	1
36	941121808	Data Label.....	1

**Not Shown:**

202936001    Optional Edge Guide Assembly  
 995000013    Operator's Manual  
 1-20-17  
 (Rev:01)

RYOBI 18 VOLT JIG SAW – MODEL NUMBER P5231



WIRING DIAGRAM