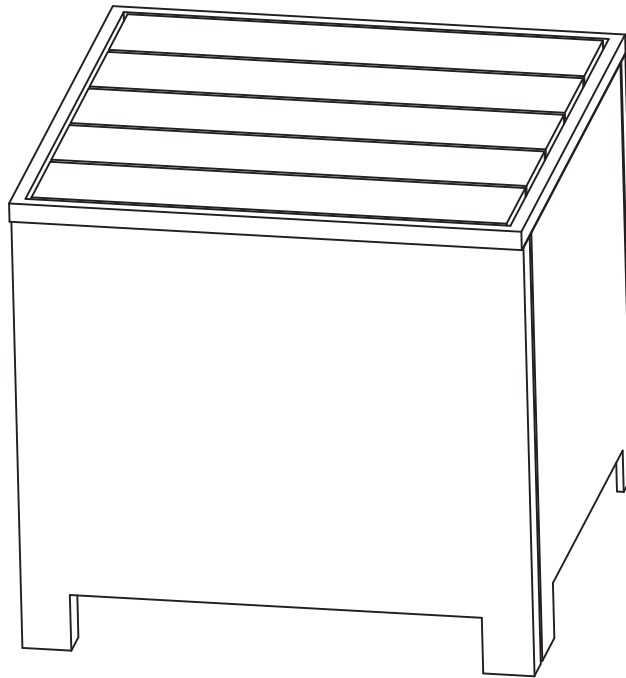


USE AND CARE GUIDE

Amber Grove Brown Wicker Outdoor Accent Trunk Table



Questions, problems, missing parts? Before returning to the store,
call Hampton Bay Customer Service
8 a.m. - 7 p.m., EST, Monday – Friday, 9 a.m. – 6 p.m., EST, Saturday

1-855-HD-HAMPTON

HAMPTONBAY.COM

THANK YOU

We appreciate the trust and confidence you have placed in Hampton Bay through the purchase of this Accent Table. We strive to continually create quality products designed to enhance your home. Visit us online to see our full line of products available for your home improvement needs. Thank you for choosing Hampton Bay!

Table of Contents

Table of Contents	2	Pre-Assembly	3
Safety Information	2	Hardware Included	3
Warranty	3	Package Contents	4
What is covered	3	Assembly	5
What is not covered	3	Care & Cleaning	6
		Service Parts	7

Important Safety Instructions

SAVE THESE INSTRUCTIONS

READ ALL INSTRUCTIONS BEFORE USE

To reduce the risk of injury to persons:

1. Close supervision is necessary when this furnishing is used by or near children, or disabled persons, if applicable.
2. Use this furnishing only for its intended use as described in these instructions. Do not use attachments not recommended by the manufacturer.

SET UP YOUR FURNITURE PROPERLY

1. Ensure that all parts are assembled properly and fully tightened as per the instructions.
2. When placing in the desired location, ensure that all legs are resting on the same surface.

EXAMINE YOUR FURNITURE

Examine occasionally to ensure that there are no loose parts. If loose parts are found, they must be re-tightened fully before additional use.

OBSERVE WEIGHT LIMITS

The weight limits for the following products are listed below:

- | | |
|--|---|
| <input type="checkbox"/> Chair: 275 lbs | <input type="checkbox"/> Sofa: 825 lbs |
| <input type="checkbox"/> Swivel Chair: 275 lbs | <input type="checkbox"/> Rocking Chair: 275 lbs |
| <input type="checkbox"/> Loveseat: 550 lbs | <input type="checkbox"/> Chaise Lounge: 275 lbs |
| <input type="checkbox"/> Ottoman: 150 lbs | <input type="checkbox"/> Dining Table: 100 lbs |
| <input type="checkbox"/> Table: 50 lbs | <input type="checkbox"/> Dining Chair: 275 lbs |



CAUTION: If you overload your furniture, injuries can occur.

Warranty

THREE YEAR FRAME, WEAVE AND FABRIC LIMITED WARRANTY

WHAT IS COVERED

We warrant the frame, weave and fabric to be free of manufacturing defects to the original purchaser for three years. For glass table top we warrant 30 days from the date of purchase.

WHAT IS NOT COVERED

This warranty does not cover commercial use, hardware, acts of nature, fire, freezing and abusive use. In addition, purchased parts are not covered under this warranty.

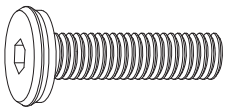
We reserve the right to make substitutions with similar merchandise, if the model in question is no longer in production. Contact the Customer Service Team at 1-855-HD-HAMPTON or visit www.Hamptonbay.com.

Pre-Assembly

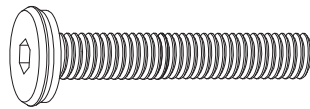
PLANNING ASSEMBLY

To prevent damage, place all parts on a soft surface during assembly. Remove all protective caps before beginning assembly.

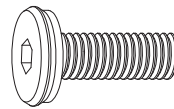
HARDWARE INCLUDED



AA



BB



CC



DD



EE



FF



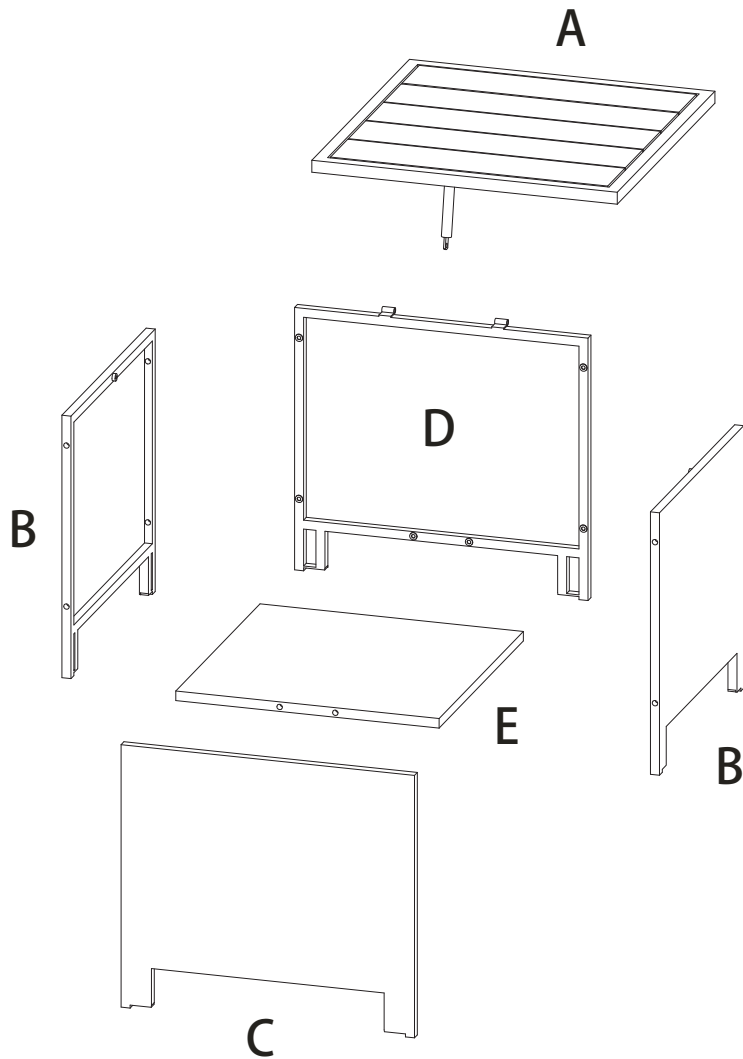
GG



HH

Part	Description	Quantity
AA	Bolt M6x35mm	12
BB	Bolt M6x50mm	2
CC	Bolt M6x30mm	1
DD	Washer ϕ 6mm	19
EE	Nut M6	2
FF	Plastic Gasket 10mm	1
GG	Hex Wrench 4mm	1
HH	Box Wrench M6	1

PACKAGE CONTENTS

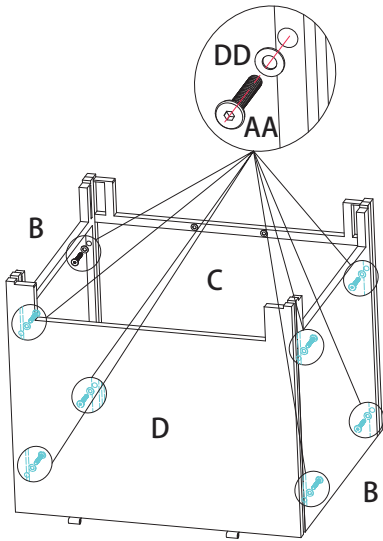


Part	Description	Quantity
A	Table Top	1
B	Side Frame	2
C	Front Frame	1
D	Back Frame	1
E	Lower Shelf	1

Assembly (65-517539US)

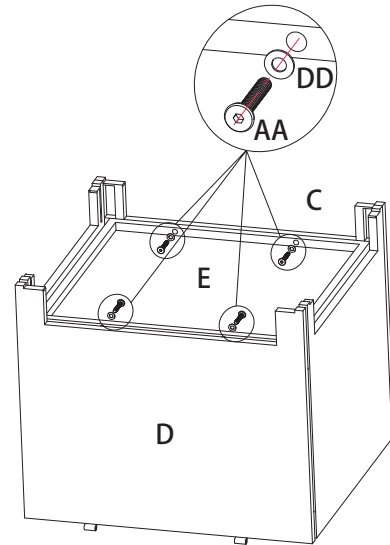
1 Attaching the Legs Together

- Insert Side Frame (B), Front Frame (C) and Back Frame (D) using Bolts (AA) with Washers (DD) facing the center into the four holes as shown.
- Do not tighten completely.



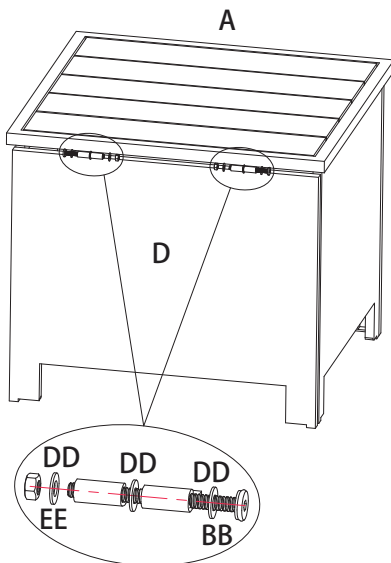
2 Attaching the Lower Shelf to the Legs

- Attach the Lower Shelf (E) to the Legs (C) and (D) by aligning holes on the Lower Shelf (E). Insert Bolts (AA) with Washers (DD) and hand tighten.
- Tighten all Bolts (AA) with Washers (DD) completely.



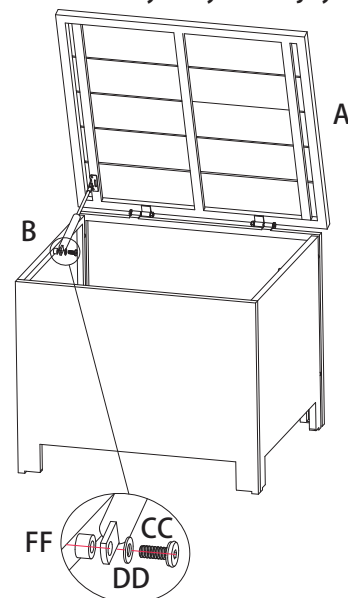
3 Attaching the Table Top to the Legs

- Attach the Table Top (A) to the Back Frame (D).
- Insert Bolts (BB) with Washers (DD) and Nuts (EE) and tighten completely as shown.



4 Attaching the air pump to the leg

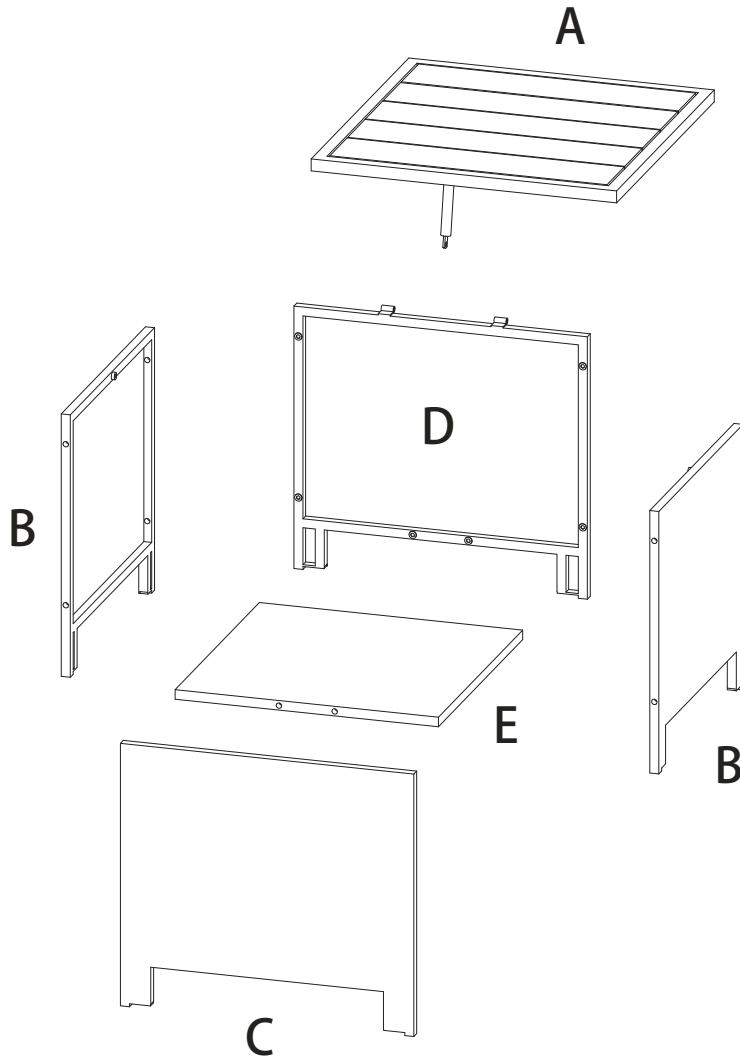
- Insert Bolts (CC) with Washers (DD) and Plastic Gasket (FF) and tighten completely.
- This table is now ready for your enjoyment.



Cleaning and Maintenance

- Before using, wipe with a clean dry cloth. Do not use bleach or solvents. When not in use, store furniture in a cool dry place.
- Do not use bleach or solvents on fabrics. When cleaning the table top, make sure to use a soft clean cloth that does not bleed color.
- Wash the frame with a mild solution of soap and water. Rinse with clean water and dry thoroughly.
- Cushions may also be cleaned by hand with a mild solution of soap and water. Rinse the cushion cover thoroughly and allow to air dry. The back cushion and pillow should be spot cleaned with a soft cloth. Do not machine wash or tumble dry, as cushions may shrink. Do not use bleach or solvents on fabrics. Never use cleaners that contain acid or abrasive materials.
- Use and operation: To improve the lifespan of this furniture, cover when not in use and store in a dry place.

MODEL TYPE



Part	Description	Quantity
A	Table Top	1
B	Side Frame	2
C	Front Frame	1
D	Back Frame	1
E	Lower Shelf	1

HAMPTON BAY®

Questions, problems, missing parts? Before returning to the store,
call Hampton Bay Customer Service
8 a.m. - 7 p.m., EST, Monday – Friday, 9 a.m. – 6 p.m., EST, Saturday

1-855-HD-HAMPTON

HAMPTONBAY.COM

Retain this manual for future use.