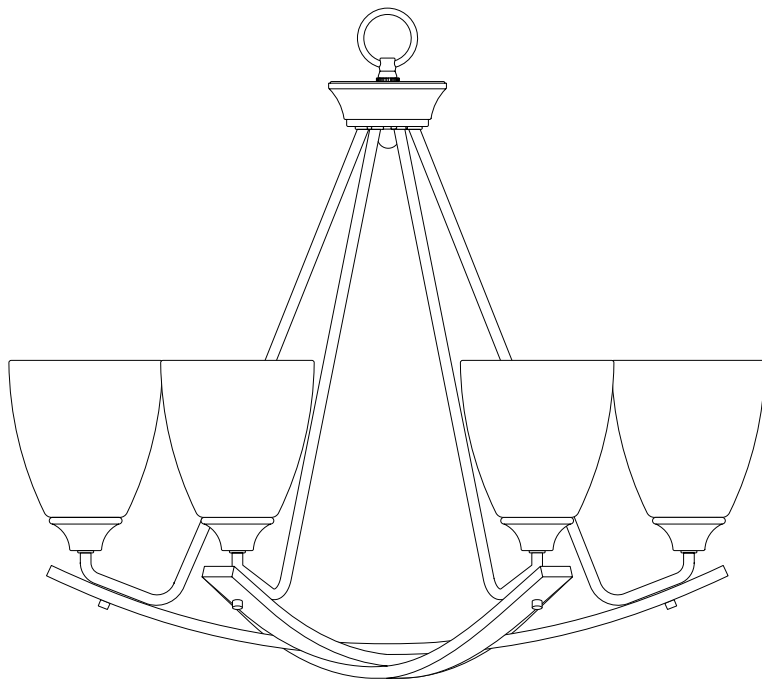


## USE AND CARE GUIDE

---

### 6-LIGHT CHANDELIER



Questions, problems, missing parts? Before returning to the store,  
call Home Decorators Collection Customer Service  
8 a.m. - 7 p.m., EST, Monday - Friday; 9 a.m. - 6 p.m., EST, Saturday

1-800-986-3460

[HOMEDEPOT.COM/HOMEDECORATORS](http://HOMEDEPOT.COM/HOMEDECORATORS)

---

#### THANK YOU

*We appreciate the trust and confidence you have placed in Home Decorators Collection through the purchase of this light fixture. We strive to continually create quality products designed to enhance your home. Visit us online to see our full line of products available for your home improvement needs. Thank you for choosing Home Decorators Collection!*

# Table of Contents

Table of Contents .....	2	Tools Required .....	3
Safety Information .....	2	Hardware Included .....	3
Warranty.....	2	Package Contents .....	4
What is covered .....	2	<b>Installation .....</b>	<b>5</b>
Pre-Installation .....	3	<b>Care &amp; Cleaning .....</b>	<b>8</b>
Planning Installation .....	3	<b>Troubleshooting .....</b>	<b>8</b>
		<b>Service Parts.....</b>	<b>9</b>

## Safety Information

### PLEASE READ AND UNDERSTAND THIS ENTIRE MANUAL BEFORE ATTEMPTING TO ASSEMBLE, OPERATE OR INSTALL THIS PRODUCT.

- Consult a qualified electrician if you have any electrical questions.



**WARNING: IF ANY SPECIAL CONTROL DEVICES ARE USED WITH THIS FIXTURE, FOLLOW THE INSTRUCTIONS CAREFULLY TO ASSURE FULL COMPLIANCE WITH N.E.C. REQUIREMENTS. IF THERE ARE ANY QUESTIONS, CONTACT A QUALIFIED ELECTRICAL CONTRACTOR.**



**CAUTION: READ INSTRUCTIONS CAREFULLY AND TURN ELECTRICITY OFF AT MAIN BREAKER PANEL BEFORE BEGINNING INSTALLATION OF THIS FIXTURE OR REMOVAL OF AN EXISTING FIXTURE.**



**CAUTION: ALL GLASS IS FRAGILE. USE CARE WHEN HANDLING GLASS SHADES OR BULBS.**

**NOTICE: This product contains chemicals known to the State of California to cause cancer, birth defects and/or other reproductive harm. Thoroughly wash hands after installing, handling, cleaning or otherwise touching this product.**

## Warranty

### 3-YEAR LIMITED WARRANTY

#### WHAT IS COVERED

The manufacturer warrants this lighting fixture to be free from defects in materials and workmanship for a period of three (3) years from the date of purchase. This warranty applies only to the original consumer purchaser and only to products used in normal use and service. If this product is found to be defective, the manufacturer's only obligation, and your exclusive remedy, is the repair or replacement of the product at the manufacturer's discretion, provided that the product has not been damaged through misuse, abuse, accident, modifications, alterations, neglect, or mishandling. This warranty shall not apply to any product that is found to have been improperly installed, set-up, or used in any way not in accordance with the instructions supplied with the product. This warranty shall not apply to a failure of material or workmanship. This warranty shall not apply to the finish on any portion of the product, such as surface and/or weathering, as this is considered normal wear and tear. The manufacturer does not warrant and specially disclaims any warranty, whether express or implied, of fitness for a particular purpose, other than the warranty contained herein. The manufacturer specifically disclaims any liability and shall not be liable for any consequential or incidental loss or damage, including but not limited to any labor / expense costs involved in the replacement or repair of said product.

Contact the Customer Service Team at 1-800-986-3460 or visit [www.HOMDEPOT.com/HOMEDECORATORS](http://www.HOMDEPOT.com/HOMEDECORATORS).

# Pre-Installation

## PLANNING INSTALLATION

Before beginning installation, make sure all parts are included using the contents diagrams below. If any part is missing or damaged, do not attempt to assemble, install or operate the product.

To avoid damaging this product, place it on a soft, non-abrasive surface, such as carpet or cardboard.



**NOTE:** Estimated assembly time: 30 minutes

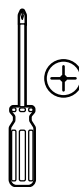
## TOOLS REQUIRED (NOT INCLUDED)



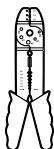
Pliers



Safety goggles



Phillips screwdriver



Wire strippers



Electrical tape



Ladder

## HARDWARE INCLUDED



**NOTE:** Hardware not shown to actual size.



AA



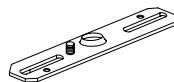
BB



CC



DD



EE



GG



HH



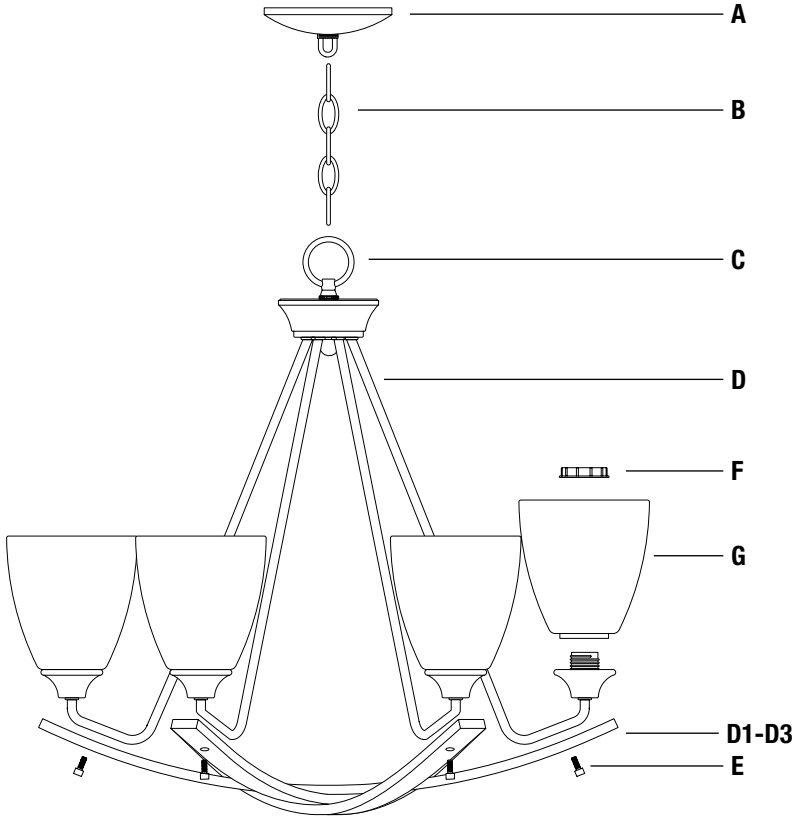
JJ

Part	Description	Quantity
AA	Ground Screw	1
BB	Ring	1
CC	Screw Collar Loop	1
DD	1/8IP x 2 in. LG. Threaded Nipple	1

Part	Description	Quantity
EE	Crossbar	1
GG	Wire Nut	3
HH	1/8IP Hex Nut	2
JJ	Finial (pre-assembled)	1

# Pre-Installation (continued)

## PACKAGE CONTENTS



Part	Description	Quantity
A	Canopy	1
B	Chain	1
C	1/8IP Chain Loop (pre-assembled)	1
D	Fixture	1
D1	Rectangular Arc	1
D2	Rectangular Arc	1
D3	Rectangular Arc	1
E	Thumb Screw	6
F	Socket Ring	6
G	Glass Shade	6

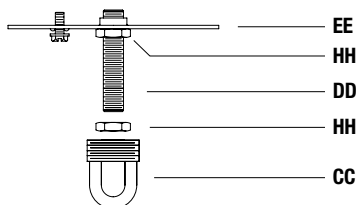
# Installation

## 1 Preparing for installation

- Screw the threaded nipple (DD) into the crossbar (EE) several turns.
- Use one hex nut (HH) to secure the parts tightly.
- Thread one hex nut (HH) and the screw collar loop (CC) onto the threaded nipple (DD).
- Tighten the hex nut (HH) against the top of the screw collar loop (CC).

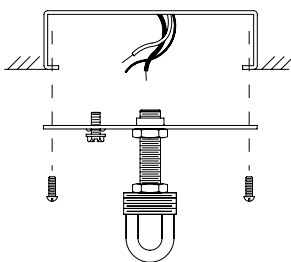


**NOTE:** The threaded nipple (DD) should extend long enough to protrude through the canopy (A) when it is mounted (Adjust as needed).



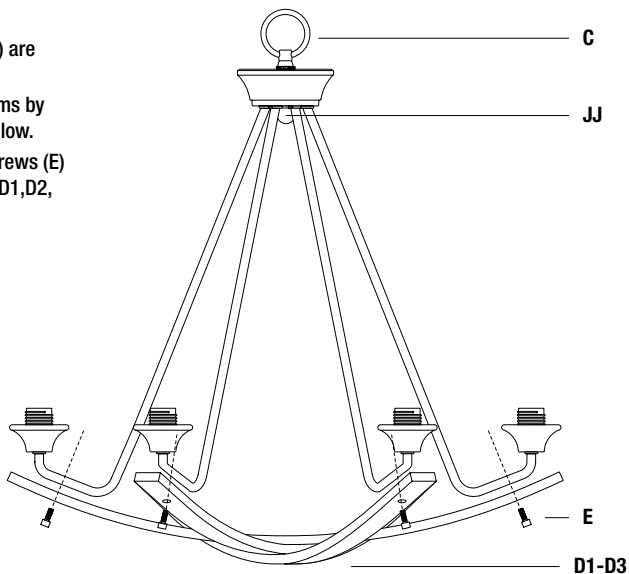
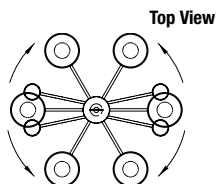
## 2 Attaching the crossbar assembly to the junction box

- Attach the assembled parts from Step 1 onto the junction box using the mounting screws supplied with the junction box (not included).



## 3 Assembling the fixture body

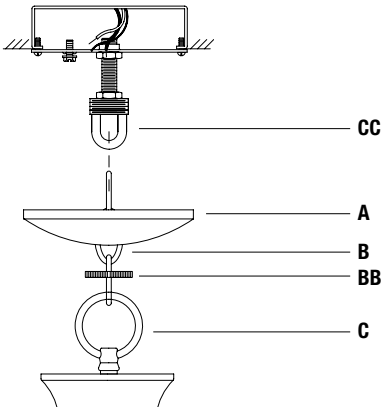
- The chain loop (C) and finial (JJ) are pre-assembled on the fixture.
- Rotate and adjust the fixture arms by hand - see top view diagram below.
- Insert and tighten the thumb screws (E) to secure the rectangular arcs (D1, D2, D3) to the round arms.



## Installation (continued)

### 4 Attaching the chain

- Open one link at the end of the chain (B) and attach to the chain loop (C).
- Close the chain link.
- Place the ring (BB) and the canopy (A) over the chain attached to the fixture.
- Open one link at the opposite end of the chain (B) and attach to the screw collar loop (CC).
- Close the chain link.

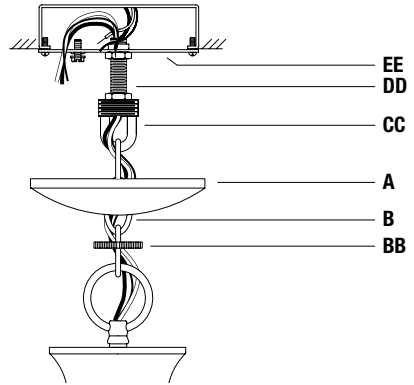


### 5 Weaving the fixture wire

- Weave the electric wire and the ground wire through the chain (B).
- Pass the wires through the ring (BB) and the canopy (A).
- Pass the wires through the screw collar loop (CC), threaded nipple (DD) and the crossbar (EE).

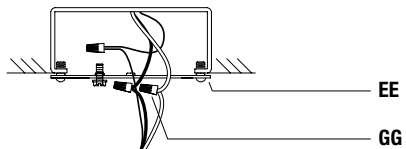


**NOTE:** During this step, you may choose to shorten the chain (B) and electrical / ground wires. Do not twist the electrical wires.

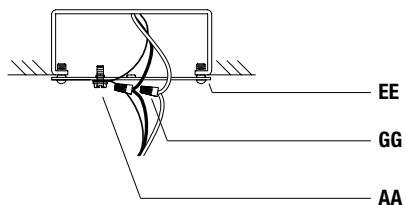


### 6 Making the electrical connections

- Strip 3/8 in. of insulation from the electrical wire ends.
- Using the wire nuts (GG), connect the ribbed fixture wire to the white supply wire from the junction box; connect the smooth fixture wire to the black supply wire.
- Connect the fixture ground wire and supply ground wire using a wire nut (GG) or by fastening to the ground screw (AA) on the crossbar (EE).



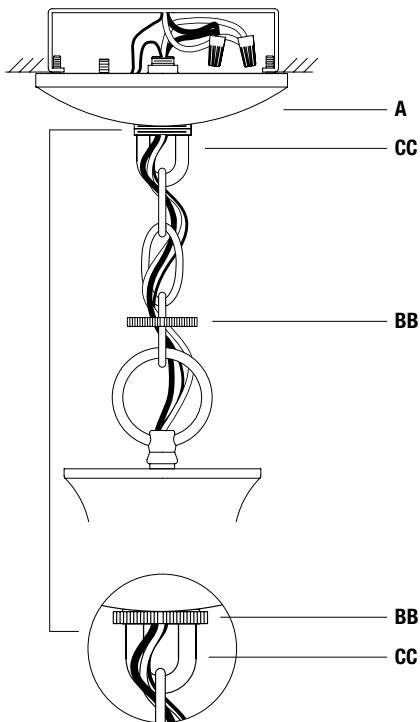
OR



## Installation (continued)

### 7 Attaching the canopy to the junction box

- Tuck the wires into the junction box and slip the canopy (A) over the screw collar loop (CC).
- Thread the ring (BB) onto the screw collar loop (CC) to secure tightly to the ceiling.

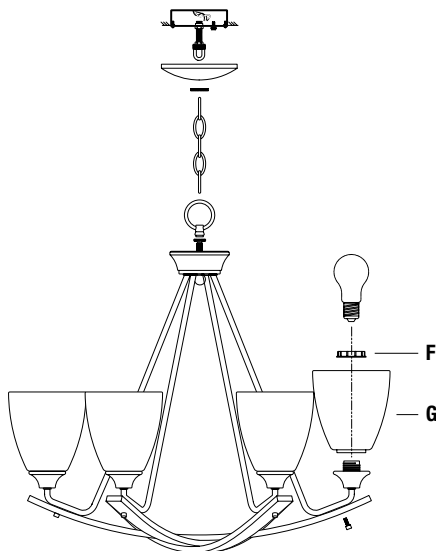


### 8 Installing light bulbs

- The socket rings (F) are shipped pre-assembled.
- Unscrew the socket rings (F) from the fixture sockets, install the glass shades (G) and reinstall the socket rings (F) to secure the glass shades (G).
- Do not over tighten.
- Install the light bulbs (not included) into the sockets.



**NOTE:** This product requires six 100W maximum medium base (E26) type A bulbs or 26W maximum medium base (E26) SBCFL (sold separately). Do not exceed the recommended wattage.



## Care and Cleaning

- Shut off the main power supply before cleaning the product or changing light bulbs.
- To clean, wipe with a damp cloth.
- Do not use abrasive cleaners or cleaners that contain alcohol.

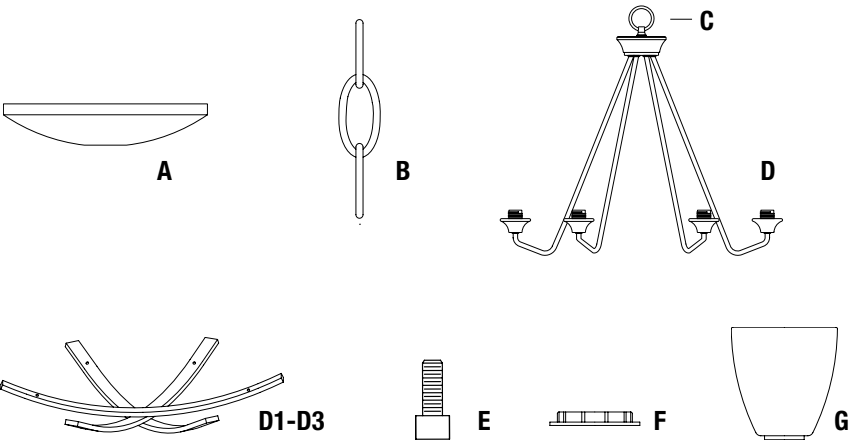
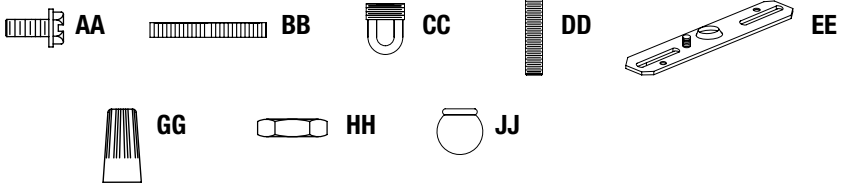
## Troubleshooting

Problem	Possible Causes	Solution
The lights will not turn on.	The bulb is burned out.	Replace the light bulb.
	The power is off.	Ensure the power supply is turned on.
	There is a faulty switch.	Test or replace the switch.
	There is a faulty wire connection.	Check the wiring.
The fuse blows or the circuit breaker trips when the light is turned on.	There are crossed wires or the power wire is grounding out.	Discontinue use of the fixture. Check the wire connections or contact a qualified electrician.



# Service Parts

## Model# 7902HDC



Part	Description
AA	Ground Screw
BB	Ring
CC	Screw Collar loop
DD	1/8IP x 2 in. LG. Threaded Nipple
EE	Crossbar
GG	Wire Nut
HH	1/8IP Hex Nut
JJ	Finial (pre-assembled)

Part	Description
A	Canopy
B	Chain
C	1/8IP Chain Loop (pre-assembled)
D	Fixture
D1	Rectangular Arc
D2	Rectangular Arc
D3	Rectangular Arc
E	Thumb Screw
F	Socket Ring
G	Glass Shade

# HOME DECORATORS COLLECTION

Questions, problems, missing parts? Before returning to the store,  
call Home Decorators Collection Customer Service  
8 a.m. - 7 p.m., EST, Monday - Friday; 9 a.m. - 6 p.m., EST, Saturday

1-800-986-3460

[HOMEDEPOT.COM/HOMEDECORATORS](http://HOMEDEPOT.COM/HOMEDECORATORS)

Retain this manual for future use.