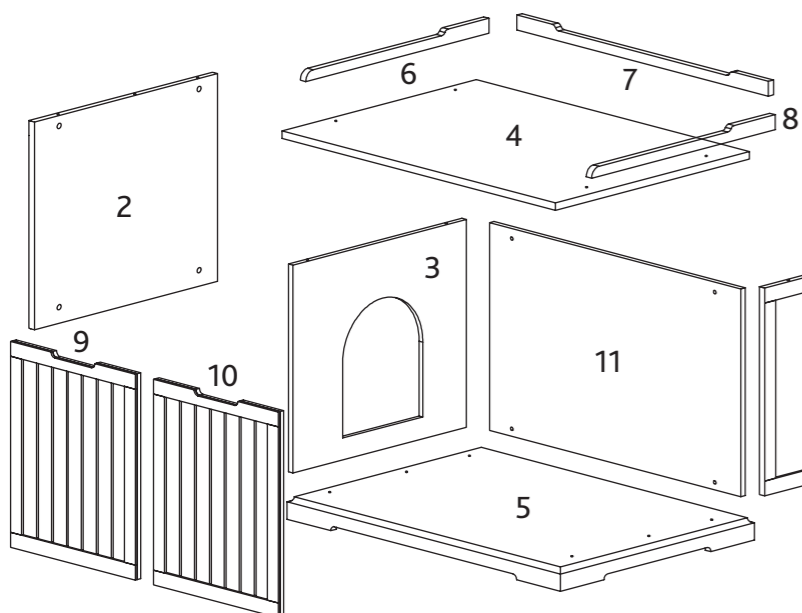


Item No.	Color	Measurement	Color Code
4023	white	29.5 × 20 × 20.75 in. (75 × 51 × 53 cm)	3
	brown		4

Pos. No.	Description	Measurement	Quantity	Item No. 3	Item No. 4
Pos. 1	Side Panel with Entry	20 × 16.25 × 0.5 in. (51 × 41.5 × 1.5 cm)	1	40233-10	40234-10
Pos. 2	Side Panel without Entry	20 × 16.25 × 0.5 in. (51 × 41.5 × 1.5 cm)	1	40233-11	40234-11
Pos. 3	Divider Panel	18.5 × 16.25 × 0.25 in. (47.5 × 41.5 × 1 cm)	1	40233-12	40234-12
Pos. 4	Top Panel	29.5 × 20.75 × 0.25 in. (75 × 53.5 × 1.5 cm)	1	40233-20	40234-20
Pos. 5	Bottom Panel	29.5 × 20.75 × 0.25 in. (75 × 53.5 × 4.5 cm)	1	40233-21	40234-21
Pos. 6	Side Apron for Top Panel, left	19.5 × 1 × 0.5 in. (50 × 3 × 1.5 cm)	1	40233-22	40234-22
Pos. 7	Apron for Top Panel, back	27 × 1 × 0.5 in. (69 × 3 × 1.5 cm)	1	40233-23	40234-23
Pos. 8	Side Apron for Top Panel, right	19.5 × 1 × 0.5 in. (50 × 3 × 1.5 cm)	1	40233-24	40234-24
Pos. 9	Door Panel, left	13.25 × 16.25 × 0.5 in. (34 × 41.5 × 1.5 cm)	1	40233-30	40234-30
Pos. 10	Door Panel, right	13.25 × 16.25 × 0.5 in. (34 × 41.5 × 1.5 cm)	1	40233-31	40234-31
Pos. 11	Back Panel	27.25 × 16.25 × 0.25 in. (69.5 × 41.5 × 1 cm)	1	40233-40	40234-40
Pos. 12	Litter Mat, gray		1	40233-60	40234-60
Pos. a			10	40233-50	40234-50
Pos. b			6		
Pos. c			6		
Pos. d			2		
Pos. e			4		
Pos. f			10		
Pos. g			6		
Pos. h			6		



**USA Advice:**  
 Do not sit or stand on this product.  
 It is intended for pets only.  
 This product should be  
 assembled by an adult.

