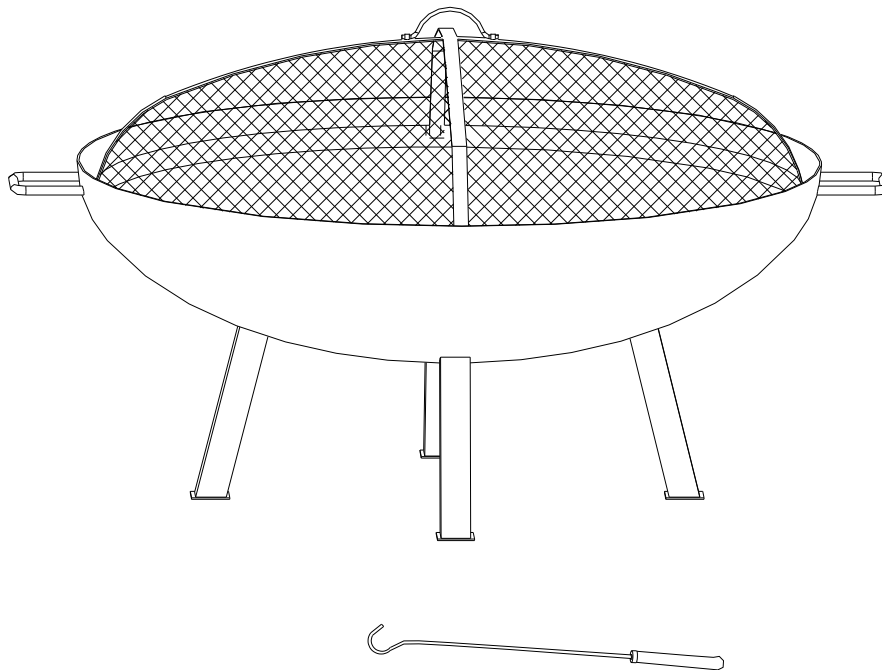




Item #
Model #A301002900

USE AND CARE GUIDE

WINDGATE 40 INCH FIRE PIT



Questions, problems, missing parts? Before returning to the store,
call Hampton Bay Customer Service
8 a.m. - 7 p.m., EST, Monday-Friday, 9 a.m. - 6 p.m., EST, Saturday

1-855-HD-HAMPTON

WWW.HAMPTONBAY.COM

THANK YOU


We appreciate the trust and confidence you have placed in Hampton Bay through the purchase of this fire pit. We strive to continually create quality products designed to enhance your home. Visit us online to see our full line of products available for your home improvement needs. Thank you for choosing Hampton Bay!


Table of Contents


Table of Contents.....	2	Pre-Assembly	3
Safety Information.....	2	Planning assembly.....	3
Warranty.....	2	Hardware Included.....	3
2 Year Warranty.....	2	Additional Hardware	3
What is Covered.....	2	Package Contents.....	4
What is Not Covered	2	Assembly	5
		Care and Cleaning	6

Safety Information


1. Some parts may contain sharp edges. Wear protective gloves.
2. When assembling and using this product, basic safety precautions should always be followed to reduce the risk of personal injury and damage to equipment. Please read all instructions before assembly and usage.

 **DANGER:** This unit is heavy! Do not assemble this item alone.

 **WARNING:** The charcoal fire pit is HOT! DO NOT allow your children to play near it when fire pit is in use. Please put the charcoal less than 6lbs each time when using.

 **CAUTION:** Do not touch the surface of the iron fire grate and the fire bowl while in use. It may cause burns.

NOTICE: For outdoor use only.

 **WARNING:** Fuels used in wood or charcoal burning appliances, and the products of combustion of such fuels, can expose you to chemicals including carbon black which is known to the State of California to cause cancer, and carbon monoxide, which is known to the state of California to cause birth defects or other reproductive harm. For more information go to www.P65Warnings.ca.gov.

Warranty

2 YEAR WARRANTY

WHAT IS COVERED

This limited warranty is extended to the original purchaser and applies to defects in materials and workmanship of your item provided the item is maintained with care and used only for personal, residential purposes. The item is warranted to be free from defects in material or workmanship for a period of 2 years.

WHAT IS NOT COVERED

We do not reimburse for transportation of delivery costs, or compensate the individual or any outside party for assembling or disassembling the product.

Contact the Customer Service Team at 1-855-HD-HAMPTON or visit www.HAMPTONBAY.com.

Production Number: 2019XXXX

Pre-Assembly

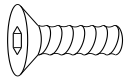
PLANNING ASSEMBLY

Before beginning assembly of this product, make sure all parts are present. Compare parts with the Hardware Included and Package Contents lists. If any part is missing or damaged, do not attempt to assemble the product. Contact customer service for replacement parts.

HARDWARE INCLUDED



NOTE: Hardware not shown to actual size.



__AA



__BB

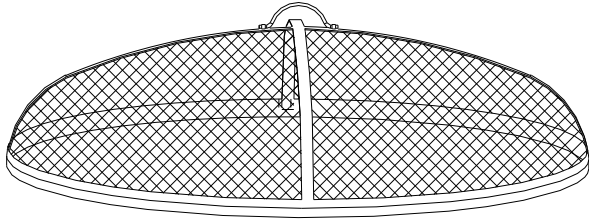
Part	Description	Quantity
AA	Bolt M8*20	8
BB	Wrench M8	1

ADDITIONAL HARDWARE

Part	Description	Quantity
AA	Bolt M8*20	2

Pre-Assembly (continued)

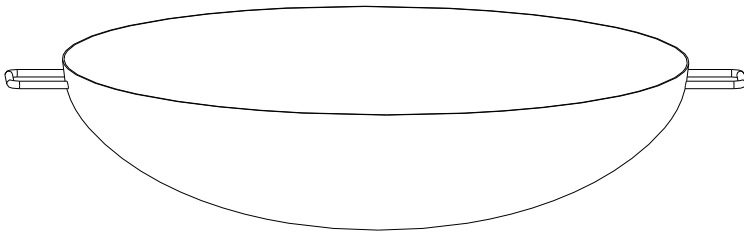
PACKAGE CONTENTS



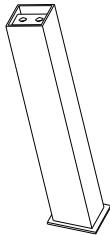
___A



___D



___B



___C

Part	Description	Quantity
A	Screen	1
B	Fire Bowl	1
C	Leg	4
D	Poker	1

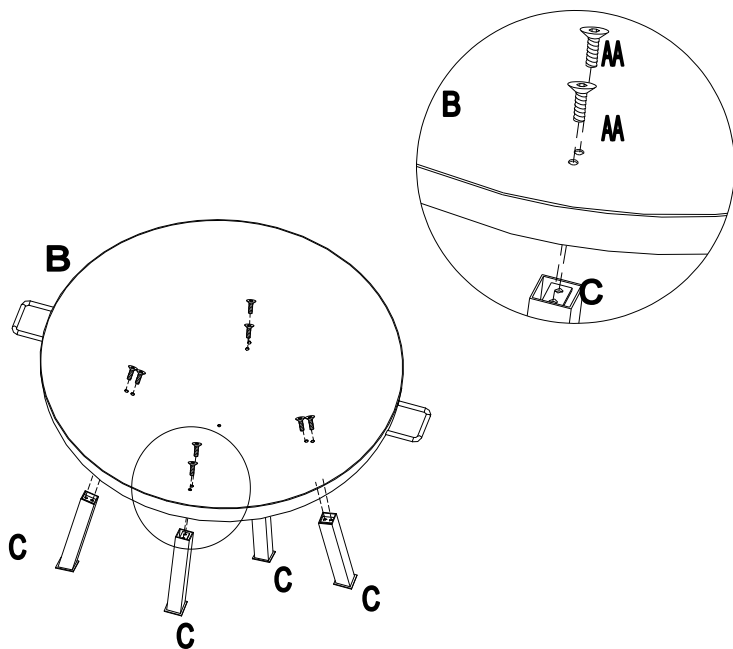
Assembly

1 Attaching the Legs

- Attach the Legs (C) to the Fire Bowl (B) using Bolts (AA).



NOTE: To avoid destroying the finish, do not put the parts on the ground directly.

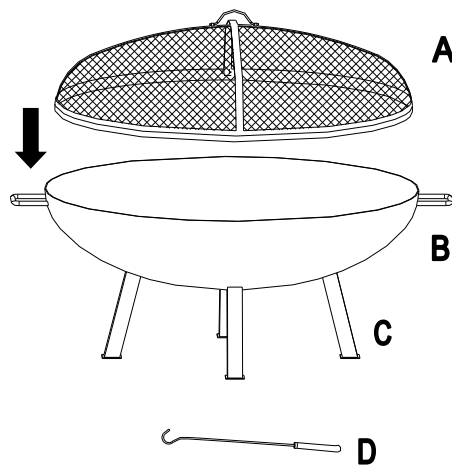


2 Completing the Assemble

- Put the Screen (A) on the assembled Fire Bowl (B), put the Poker (D) aside.



NOTE: To avoid destroying the finish, do not put the parts on the ground directly.



Care and Cleaning

- Before using, clean the fire pit completely with a soft dry towel.
- When not in use, store in a cool, dry area.



Questions, problems, missing parts? Before returning to the store,
call Hampton Bay Customer Service
8 a.m. - 7 p.m., EST, Monday- Friday, 9 a.m. - 6 p.m., EST, Saturday

1-855-HD-HAMPTON

WWW.HAMPTONBAY.COM

Retain this manual for future use.