



# 13A ELECTRIC PRESSURE WASHER

2000 PSI MAX PRESSURE AT INITIAL DISCHARGE PER CSA INTERNAL PRESSURE TESTING

1.6 GPM MAX FLOW WITH NOZZLE OPEN AT MINIMUM PRESSURE

## OPERATOR'S MANUAL

A Division of Snow Joe®, LLC

Model SPX2598-MAX

Form No. SJ-SPX2598-MAX-880E-MR3

## IMPORTANT! Safety Instructions

### All Operators Must Read These Instructions Before Use

**⚠️ WARNING!** This indicates a hazardous situation, which, if not avoided, could result in death or serious injury.

**⚠️ CAUTION!** This indicates a hazardous situation, which, if not avoided, could result in minor or moderate injury.

**⚠️ DANGER!** This indicates a hazardous situation, which, if not followed, will result in death or serious injury.

## General Safety

**⚠️ WARNING!** This appliance is not intended for use by children or by unassisted, unsupervised persons whose physical, sensory or mental capabilities prevent them from using it safely. Children should be supervised to ensure that they do not play with the appliance.

Before starting up your machine, please check it carefully for any defects. If you find any, do not start up your machine. Contact your authorized Snow Joe® + Sun Joe® dealer or call the Snow Joe® + Sun Joe® customer service center at 1-866-SNOWJOE (1-866-766-9563).

**⚠️ WARNING!** When using the pressure washer, basic safety precautions should always be followed to reduce the risk of fire, electric shock, and personal injury. These include:

- **Know your product** – Know how to stop the machine and bleed pressure quickly. Thoroughly familiarize yourself with the controls.
- **Keep bystanders away** – All visitors and pets should be kept a safe distance away from the work area.
- **Use the right product** – Do not use this machine for any job except that for which it is intended.
- **Dress properly** – Do not wear loose clothing or jewelry. They can get caught in moving parts. Protective rubber gloves and non-slip footwear are recommended when working outdoors.
- **⚠️ CAUTION!** – Exercise caution to avoid slipping or falling. Wear protective footwear that will protect your feet and improve your footing on slippery surfaces.

- **Stay alert** – Watch what you are doing. Use common sense. Do not operate the pressure washer when you are tired, or under the influence of alcohol or drugs.
- **Do not overreach** – Keep proper footing and balance at all times.
- **Avoid unintentional starting** – Do not carry a plugged-in machine with your finger on the trigger. Make sure the switch is off before plugging in the machine.
- **Do not abuse the cord** – Never carry the machine by the cord or yank the cord to disconnect it from the receptacle. Keep the cord away from heat, oil, and sharp edges.
- **Use safety glasses** – Also use safety footwear, snug-fitting clothing, protective gloves, hearing and head protection.
- **Check the water temperature** – This pressure washer is not meant to pump hot water. **NEVER** connect it to a hot water supply as it will significantly reduce the life of the pump.
- **Store indoors** – **NEVER** store the pressure washer outdoors or where it could freeze. The pump could be seriously damaged.
- **Ground Fault Circuit Interrupter (GFCI)** – This product is provided with a ground fault circuit interrupter built into the power cord plug. If replacement of the plug or cord is needed, use only identical replacement parts.
- **Inspect electrical cords** – The insulation of the power cord should be perfectly intact. If the power cord is damaged or shows any signs of wear or tear, do not use the pressure washer. Contact your authorized Snow Joe® + Sun Joe® dealer or call the Snow Joe® + Sun Joe® customer service center at 1-866-SNOWJOE (1-866-766-9563).

**⚠️ WARNING!** Do not use this appliance without reading this instruction manual.

**⚠️ WARNING!** This appliance has been designed for use with cleaning agents that are recommended by the manufacturer. The use of other cleaning agents or chemicals may adversely affect the safety of the appliance.

**⚠️ WARNING!** Do not use the appliance within range of persons unless they are wearing protective clothing.

**⚠️ WARNING!** High-pressure jets can be dangerous if subject to misuse. The jet must not be directed at persons, pets, live electrical equipment, or the appliance itself.

- Do not direct the jet at yourself or others in order to clean clothes or footwear.

- **Risk of explosion** – Do not spray flammable liquids.
- **Disconnect the tool** – Disconnect from the electrical power supply before performing any maintenance task.
- **Keep children away** – This high-pressure electric power washer must not be used by children or untrained personnel.
- To ensure appliance safety, use only original replacement parts from the manufacturer or those approved by the manufacturer.

**⚠️ WARNING!** Water that has flowed through backflow preventers is considered to be non-potable.

**⚠️ WARNING!** During cleaning, maintenance or when replacing parts, the machine must be disconnected from its power source by removing the plug from the socket outlet.

**⚠️ WARNING!** High-pressure hoses, fittings, and couplings are important for the safe operation of the appliance. Use only hoses, fittings, and couplings recommended by the manufacturer.

- **Check for damaged parts** – Do not use the appliance if the supply cord or other important parts of the appliance are damaged (e.g. safety devices, high-pressure hose, trigger gun).

**⚠️ WARNING!** If an extension cord is used, the plug and socket must be of watertight construction.

**⚠️ WARNING!** Inadequate extension cords can be dangerous.

- This high-pressure electric power washer must not be used at temperatures below 32°F (0°C).

**⚠️ WARNING!** Power cords on drums should always be completely unwound to prevent the cord from overheating.

- Power cord connections should be kept dry and off the ground.
- If the power cord is damaged, do not use the appliance. Contact your authorized Snow Joe® + Sun Joe® dealer or call the Snow Joe® + Sun Joe® customer service center at 1-866-SNOWJOE (1-866-766-9563).
- Keep the machine on a stable, flat surface during operation, handling, transportation, and storage. Sudden overturn of the machine can cause bodily injury.
- In the event of an accident or breakdown, switch off the machine immediately. (If contact with detergent occurs, rinse with an abundance of clean water.)

## Electrical Safety

**ATTENTION:** If there are problems with the electrical mains, short voltage drops may appear when starting the equipment. This can, in turn, influence other equipment (e.g. cause a lamp to blink). If the MAINS-IMPEDANCE  $Z_{max} < 0.335 \text{ OHM}$ , such disturbances are not expected (if you require assistance, contact your local supply authority for further information).

**⚠️ WARNING! Electrical Shock Hazard** – Before starting up your machine, please check it carefully for any defects. If you find any, do not start up your machine and contact your distributor.


The following should be observed when connecting the high-pressure electric power washer to the electric supply:

- The electric supply connection should be performed by a qualified person.
- The electric supply to this appliance should include either a residual current device that will interrupt the supply if the leakage current to the earth exceeds 30 mA for 30 ms or a device that will interrupt the earth circuit (GFCI).

**IMPORTANT:** Only use water without any impurities. If there is a risk of running sand into the inlet water (i.e. from your own well), an additional filter should be installed.

## Safety Devices

The spray gun features a locking device. When the lock is activated, the spray gun cannot be operated.

- 1. Thermal sensor** – A thermal sensor protects the motor against overloading. If the thermal sensor is activated and the power is cut off, wait for a while until the motor is cool and restart the unit.
- 2. Double insulation** – In a double-insulated appliance, two systems of insulation are provided instead of grounding. No grounding means is provided on a double-insulated appliance, nor should a means for grounding be added to the appliance. Servicing a double-insulated appliance requires extreme care and knowledge of the system, and should be performed only by qualified service personnel at an authorized Snow Joe® + Sun Joe® dealer. Replacement parts for a double-insulated appliance must be identical to the parts they replace. A double-insulated appliance is marked with the words “Double Insulation” or “Double Insulated.” The symbol  (square within a square) may also be marked on the appliance.
- 3. Ground fault circuit interrupter (GFCI) protection** – This pressure washer is provided with a ground-fault circuit-interrupter (GFCI) built into the plug of the power-supply cord. This device provides additional protection from the risk of electric shock. Should replacement of the plug or cord become necessary, use only identical replacement parts that include GFCI protection.
- 4.** It is not recommended to use an extension cord with this pressure washer. The unit comes standard with a 35 ft

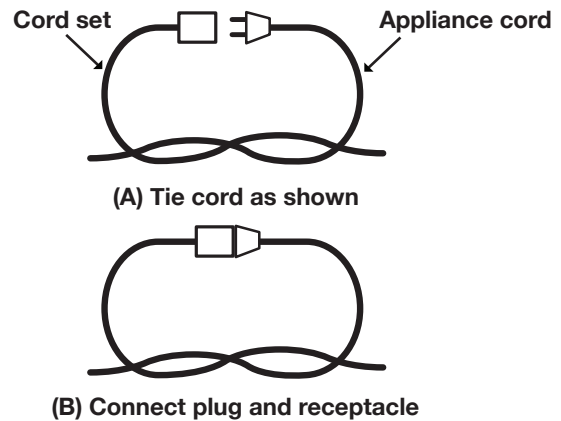
GFCI power cord. Using an extension cord may cause a drop in line voltage resulting in loss of power and overheating.

If an extension cord is going to be used, use only extension cords that are intended for outdoor use. These extension cords are identified by marking "Acceptable for use with outdoor appliance; store indoors while not in use". Use only extension cord having an electrical rating not less than the rating of the product. Do not use damaged extension cords. Examine extension cord before using and replace if damaged. Do not abuse extension cord and do not yank on any cord to disconnect. Keep cord away from heat and sharp edges. Always disconnect extension cord from the receptacle before disconnecting the product from the extension cord.

- To reduce the risk of electric shock, this appliance has a polarized plug (i.e. one blade is wider than the other). The appliance plug will fit into a polarized outlet only one way.

If the appliance plug does not fit fully into the outlet, reverse the plug. If the plug still does not fit, make sure that you are using the correct polarized wall outlet. If the plug still does not fit, contact a qualified electrician to install the proper wall outlet. Do not modify the appliance plug, power cord receptacle, or power cord plug in any way.

**Table 1. Method of Securing Extension Cord**



- Do not abuse the cord. Never pull the pressure washer by the cord or yank the cord to disconnect it from the receptacle. Keep the cord away from heat, oil, and sharp edges.

### Risk of electrocution

- Inspect cord before using.
- Do not use if cord is damaged.
- Keep all connections dry and off the ground.
- Do not touch plug with wet hands.
- Keep cord away from heat and sharp edges.
- Do not spray electrical apparatus and wiring.

### Risk of explosion

- Do not spray flammable liquids.
- Do not use acids, bases, solvents, or any flammable material in this product. These substances can cause physical injuries to the operator and irreversible damage to the machine.

### Additional safety instructions

- High-pressure: keep clear of nozzle.
- Injection hazard: equipment can cause serious injury if the spray penetrates the skin.
- Do not point the gun at anyone or at any part of the body.
- In case of skin penetration, seek medical aid immediately.
- Before servicing, cleaning, or removing any parts, shut off the power and relieve pressure.
- This machine is not suitable for connection to the potable water mains.

<b>WARNING</b>	
<p><b>Electric shock may cause SEVERE INJURY or DEATH. Heed these warnings:</b></p> <ul style="list-style-type: none"> <li>• Do not allow any part of the electric pressure washer to make contact with water while it is in operation. If the appliance becomes wet while turned off, wipe dry before starting.</li> <li>• Do not use an extension cord over 25 ft. The pressure washer comes equipped with a 35 ft power cable. Combined cord length must not exceed 60 ft. Any extension cord must be 14-gauge (or heavier) to safely power the pressure washer.</li> <li>• Do not touch the appliance or its plug with wet hands or while standing in water. Wearing rubber boots offers some protection.</li> </ul>	
<b>EXTENSION CORD CHART</b>	
Cord Length:	25 ft (7.6 m)
Min. Wire Gauge (A.W.G.):	14

**⚠️ WARNING!** To reduce the risk of electrocution, keep all connections dry and off the ground. Do not touch plug with wet hand.

- To prevent the appliance cord from disconnecting from the extension cord during operation, make a knot with the two cords as shown in Table 1.

# Product Description

## Purpose

- This electric high pressure washer is intended for residential use only. It is designed for medium-to-heavy duty cleaning jobs on boats, motorcycles, RV's, ATV's, trailers, decks, barbecues, siding, patio furniture, and more.














## Areas of application

- Never use the machine in potentially explosive areas under any circumstances!
- The operating temperature must be between 32°F (0°C) and 104°F (40°C).
- The machine consists of an assembly with a pump, which is encased in a shock-absorbing housing. To provide the operator with an optimal working position, the machine is equipped with a spray wand and a non-slip handle grip, whose shape and configuration comply with applicable regulations.
- Do not cover or modify the spray wand or the spray nozzle in any way.
- The high-pressure electric power washer is designed to be used with cold or lukewarm water; higher temperatures can damage the pump.
- Do not use water that is dirty, gritty, or contains any chemical products, as such impurities could impair operation and shorten the life of the machine.



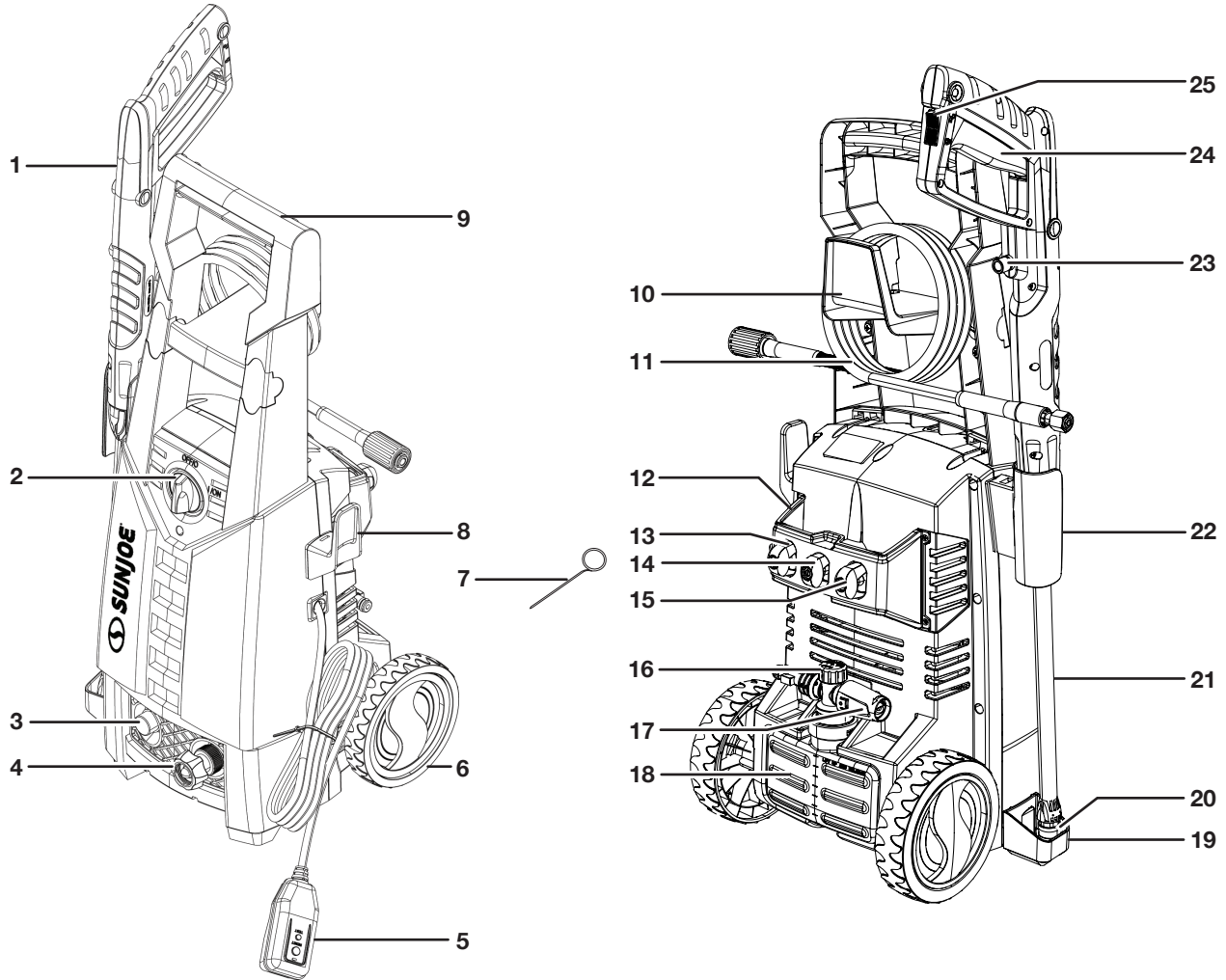
# Safety Symbols

The following table depicts and describes safety symbols that may appear on this product. Read, understand, and follow all instructions on the machine before attempting to assemble and operate.

Symbols	Descriptions	Symbols	Descriptions
	<b>READ THE OPERATOR'S MANUAL(S)</b> – Read, understand, and follow all instructions in the user manual(s) before attempting to assemble and operate.		<b>WARNING!</b> Electrical shock hazard.
	<b>SAFETY ALERT</b> – Indicates a precaution, a warning, or a danger.		<b>WARNING!</b> Do not expose the unit to rain or wet conditions. Keep dry.
	<b>WEAR EYE AND HEARING PROTECTION</b> – For protection against injury, wear ear defenders and safety goggles.		To reduce the risk of injury, user must keep all bystanders at least 49 ft (15 m) away.
	Wear safety gloves during use to protect hands.		Wear non-slip footwear that will protect your feet and improve your footing on slippery surfaces.
	Store indoors. Never store the pressure washer outdoors. If the pump freezes, permanent damage may result.		Machine not suitable for connection to the potable water mains.
	Always keep the power cable away from heat sources, oils, or sharp edges. Immediately remove plug from the mains if the cable is damaged, frayed, or entangled.		<b>WARNING!</b> Turn the machine OFF and disconnect it from the power supply before inspecting, cleaning, changing accessories, or conducting any other maintenance task.
	<b>Double Insulation</b> – When servicing, use only identical replacement parts.		

# Know Your Electric Pressure Washer

Read the owner's manual and safety rules carefully before operating the pressure washer. Compare the illustration below to the unit in order to familiarize yourself with the location of the various controls and adjustments. Save this manual for future reference.



- |                                               |                                       |                                   |
|-----------------------------------------------|---------------------------------------|-----------------------------------|
| 1. Trigger gun                                | 9. Top handle                         | 18. Foam cannon bottle            |
| 2. On/Off switch                              | 10. High-pressure hose holder         | 19. Spray wand protector          |
| 3. Water outlet/high-pressure hose connection | 11. High-pressure hose                | 20. Brass quick-connect collar    |
| 4. Garden hose adapter/connection             | 12. On-board nozzle storage           | 21. Spray wand                    |
| 5. Power cord with GFCI                       | 13. 0° Quick-Connect nozzle (red)     | 22. Trigger gun holder            |
| 6. Wheels (2)                                 | 14. 15° Quick-Connect nozzle (yellow) | 23. High-pressure hose connection |
| 7. Needle clean-out tool                      | 15. 40° Quick-Connect nozzle (gray)   | 24. Trigger                       |
| 8. Cord holder                                | 16. Foam adjusting cap                | 25. Safety lock                   |
|                                               | 17. Detergent nozzle                  |                                   |

## Technical Data

Rated Voltage .....	120V ~ 60 Hz
Motor .....	13-amp
Max Water Inlet Temperature .....	104°F/40°C
Max Water Inlet Pressure .....	0.7 MPa
Foam Cannon Capacity.....	33.8 fl oz (1 L)
High Pressure Hose Length.....	20 ft (6 m)
Power Cord Length .....	35 ft (10.7 m)
Max Pressure at initial discharge .....	2000 PSI per CSA internal pressure testing
Rated Pressure under typical load .....	1500 PSI
Max Flow with nozzle open .....	1.6 GPM (6.1 L/min) at minimum pressure
Rated Flow under typical load .....	1.2 GPM (4.5 L/min)
Net Weight .....	19.6 lbs (8.9 kg)

## Unpacking

### Carton Contents

- Electric pressure washer
- Top handle
- High-pressure hose holder
- Spray wand protector
- Trigger gun holder
- Cord holder
- 4.8 x 16 screws (7)
- Spray wand
- Trigger gun
- Three (3) Quick-Connect nozzles (0°, 15°, 40°)
- Needle clean-out tool (included with manual packet)
- High-pressure hose
- Garden hose adapter (female coupler)
- Manual with registration card

1. Carefully remove the pressure washer and check to see that all of the above items are supplied.
2. Inspect the product carefully to make sure no breakage or damage occurred during shipping. If you find damaged or missing parts, DO NOT return the unit to the store. Please call the Snow Joe® + Sun Joe® customer service center at 1-866-SNOWJOE (1-866-766-9563).

**NOTE:** Do not discard the shipping carton and packaging material until you are ready to use your new electric pressure washer. The packaging is made of recyclable materials. Properly dispose of these materials in accordance with local regulations.

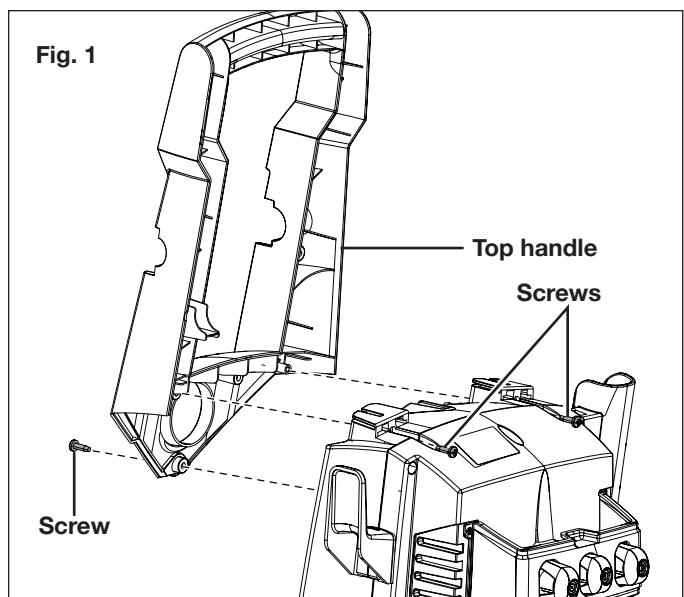
**IMPORTANT!** The equipment and packaging material are not toys. Do not let children play with plastic bags, foils, or small parts. These items can be swallowed and pose a suffocation risk!

**⚠ WARNING!** Do not connect to power supply until assembly is complete. Failure to comply could result in accidental starting and possible serious personal injury.

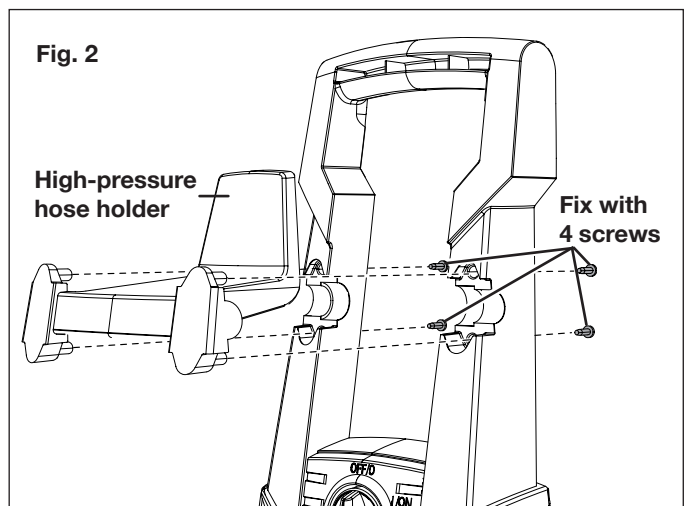
## Assembly

Tools required: Phillips head screwdriver

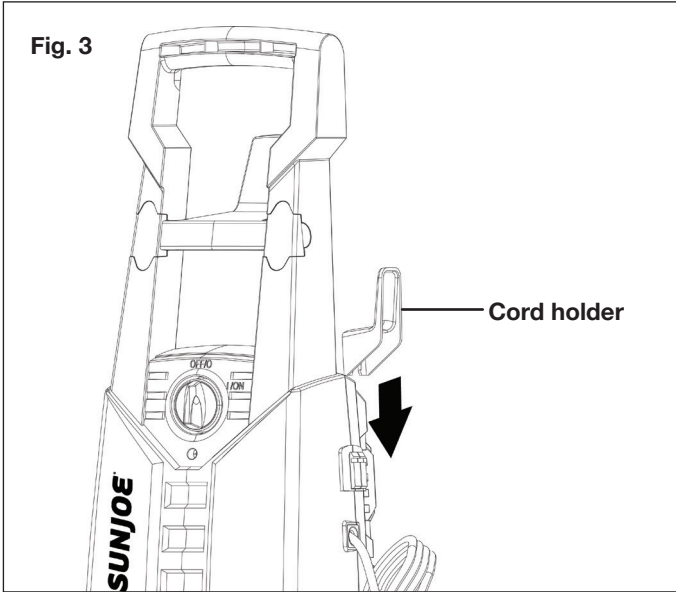
1. Slide the top handle in position on the top of the pressure washer, and attach using the three screws as shown (Fig. 1).



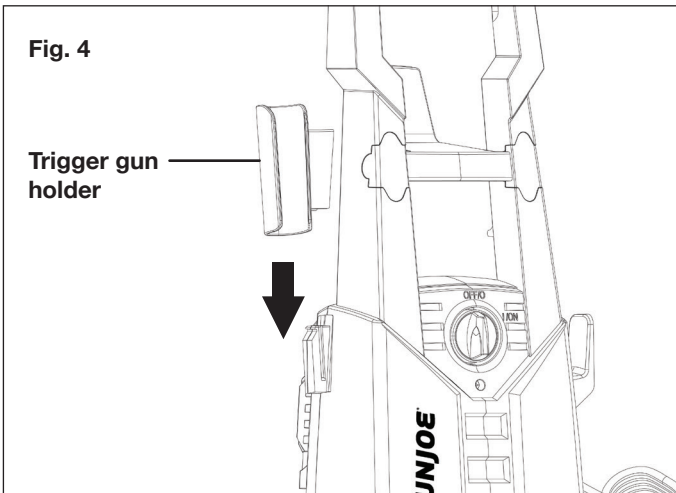
2. Attach the high-pressure hose holder and secure using the four additional screws provided, as shown (Fig. 2).



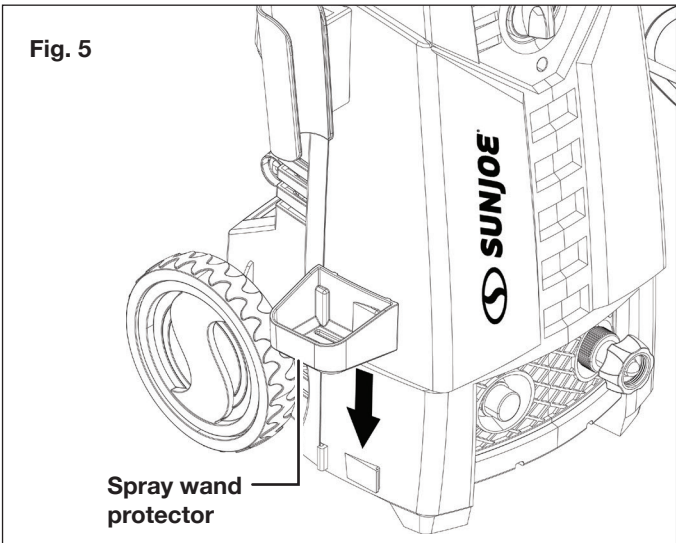
3. Slide the cord holder into position (Fig. 3).



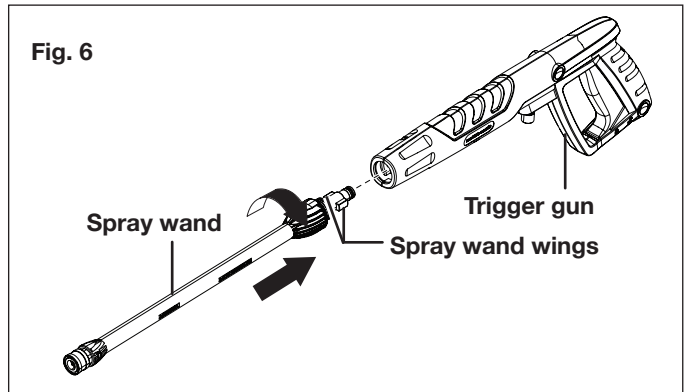
4. Slide the trigger gun holder into position (Fig. 4).



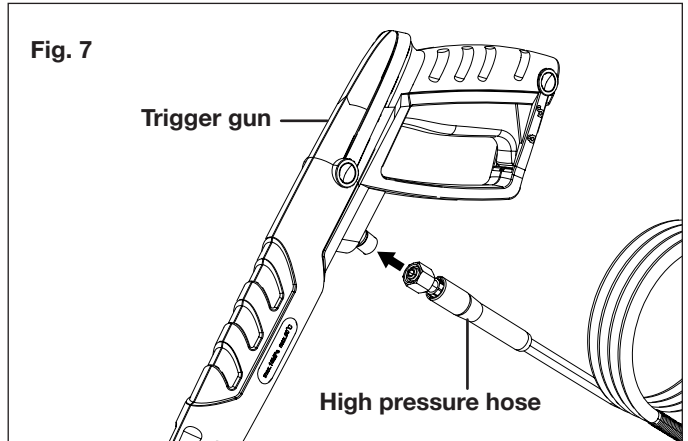
5. Slide the spray wand protector into position (Fig. 5).



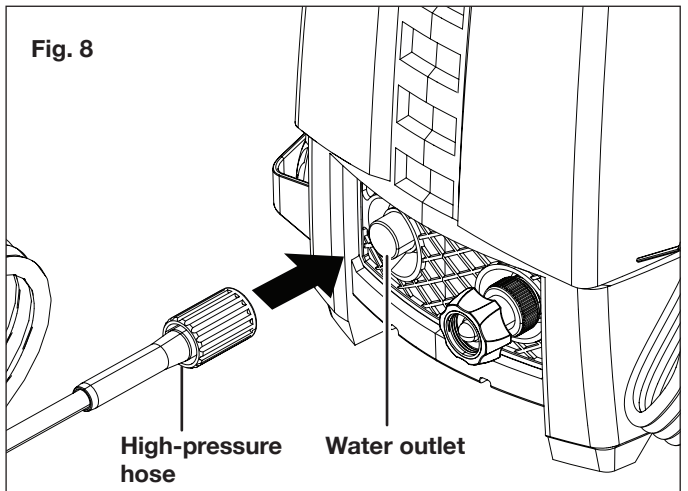
6. To connect the spray wand with the trigger gun, press the wings of the spray wand into the slot of the trigger gun, then twist counterclockwise until the 2 parts are completely locked together (Fig. 6).



7. Connect the high-pressure hose to the trigger gun. Twist to secure the connection (Fig. 7).



8. Connect the other end of high-pressure hose to the water outlet on the washer and tighten securely (Fig. 8).

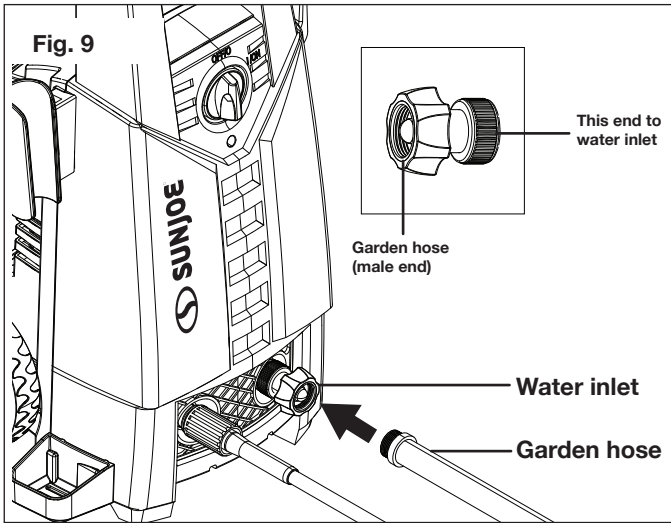


**⚠ WARNING!** Keep hose away from sharp objects. Bursting hoses may cause injury. Examine hoses regularly and replace if damaged. Do not attempt to mend a damaged hose.

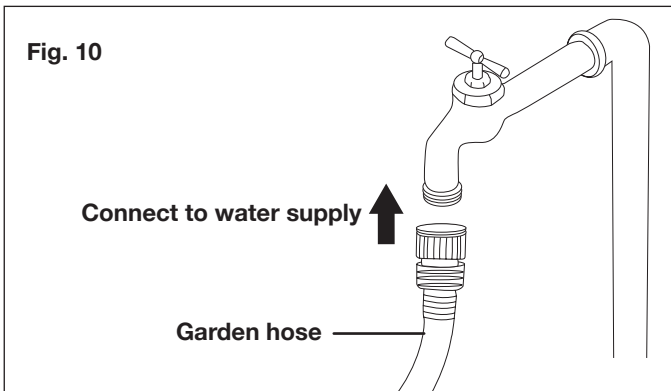
9. Connect the garden hose adapter (female coupler) to the water inlet of the pressure washer, then thread your garden hose (male end) into the garden hose adapter (Fig. 9). The garden hose must have an internal diameter of at least 13 mm (1/2 in.) and must be reinforced.

The water supply must be at least equal to the washer delivery capacity.

**NOTE:** The machine is not suitable for connection to the potable water main.



10. Attach garden hose to water supply (Fig. 10).



**⚠ WARNING!** Do not connect to potable water system.

**⚠ WARNING!** If connection is made to a potable water system, the system shall be protected against backflow.

**⚠ WARNING!** The intake water temperature must not exceed 104°F/40°C. The water supply must not exceed 0.7 MPa.

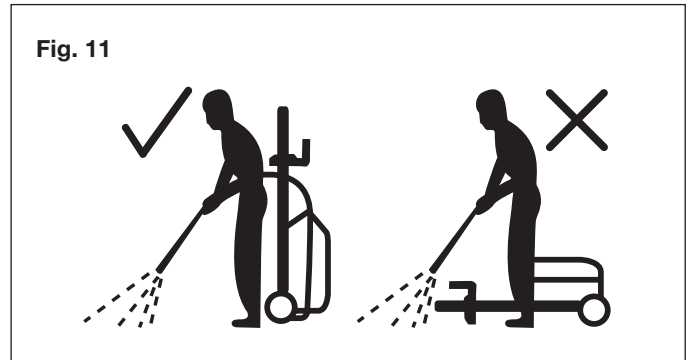
**⚠ CAUTION!** The washer must only be used with clean water; use of unfiltered water containing corrosive chemicals will damage the washer.

## Operation

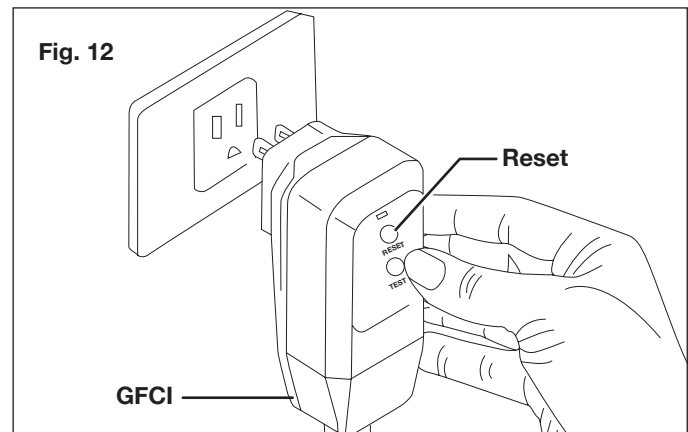
### Using the Pressure Washer

**⚠ IMPORTANT!** This pressure washer is equipped with a micro-switch sensitive to water flow. This Total Stop System (TSS) senses water flow in the pump. When the trigger is released, water stops flowing through the pump. The TSS then automatically turns the motor off to protect the pump from overheating, thus saving energy and prolonging pump life.

1. Position the washer as CLOSE as possible to the water supply.
2. The washer must be used on a secure and stable surface in a standing, upright position (Fig. 11).



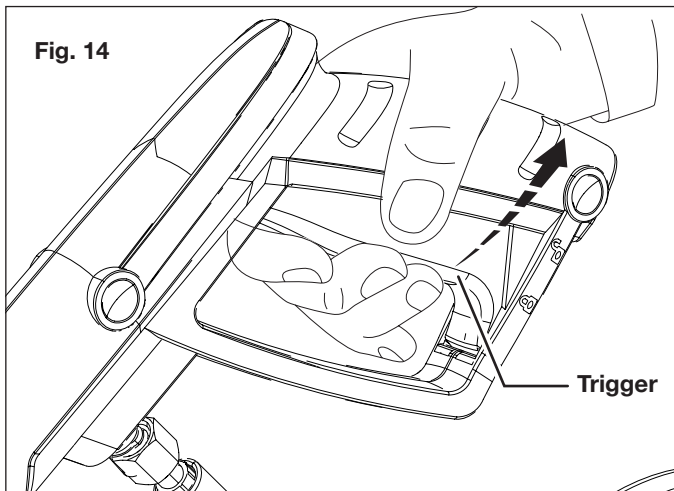
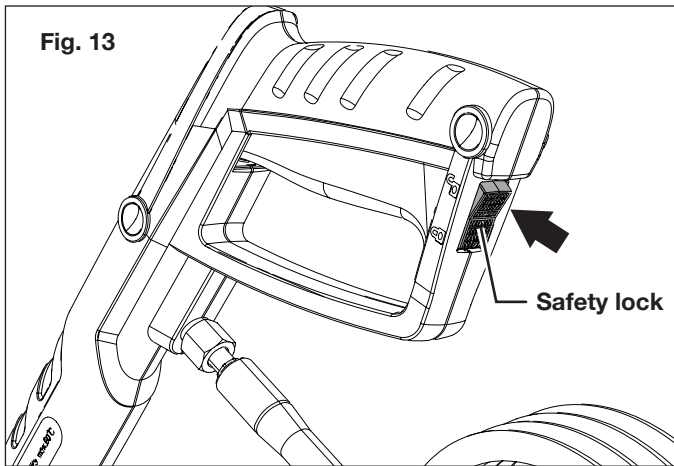
3. Make sure the unit is switched off before plugging the unit into the power outlet.
4. Check that the electrical supply voltage and frequency (Volt/Hz) correspond to those specified on the rating plate. If the power supply is correct, you may now plug the pressure washer into the power outlet (Fig. 12).



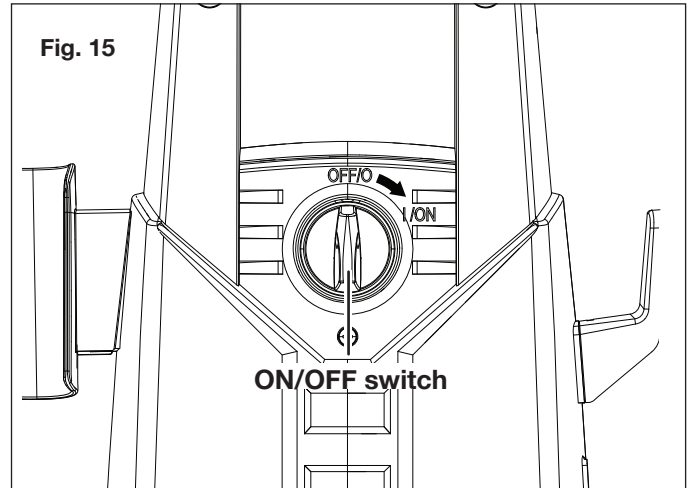


**NOTE:** The GFCI may need to be reset when first plugged into the electric outlet. Press the "Reset" button until the power light indicator on the GFCI illuminates when plugged in.

5. Turn the water supply tap on completely.
6. Release the safety lock, then press the trigger for a few seconds until the water flow is steady. Operating the pressure washer in this manner will allow air to escape and discharge residual pressure in the hose (Figs. 13 – 14).



7. Turn the ON/OFF switch to the ON (I) position to start the pressure washer (Fig. 15).



8. When re-starting the motor, always keep the trigger pressed.

**NOTE:** The motor only runs when the trigger is operated and shuts off when the trigger is released.

## Using Nozzles

Before beginning any cleaning task, determine the best nozzle for the job. Each of the nozzles has a different spray pattern. The nozzle patterns are 40° (for gentle cleaning), 15° (for tough jobs), and 0° (for spot cleaning or hard-to-reach areas) .

**CAUTION!** NEVER change nozzles without locking the safety lock on the trigger handle.

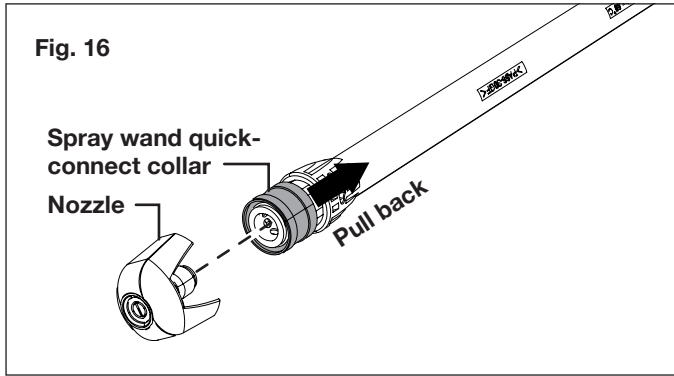
**WARNING!** High-pressure jets can be dangerous if subject to misuse. The jet must not be directed at persons, pets, live electrical equipment, or the appliance itself.

This electric pressure washer is equipped with three (3) Quick-Connect nozzles that easily snap onto the Quick-Connect collar of the spray wand.

To connect a nozzle to the spray wand:

1. Turn off the pressure washer and shut off the water supply. Pull the trigger to release water pressure.
2. Engage the safety lock on the trigger handle.
3. Pull back the brass Quick-Connect collar and insert the desired nozzle into the collar. Release the collar and the nozzle will click into place (Fig. 16).





To disconnect a nozzle from the spray wand once the cleaning job is complete:

1. Turn off the pressure washer and shut off the water supply. Pull the trigger to release water pressure.
2. Engage the safety lock on the trigger handle.
3. Remove the nozzle by disconnecting it while pulling back the brass Quick-Connect collar.

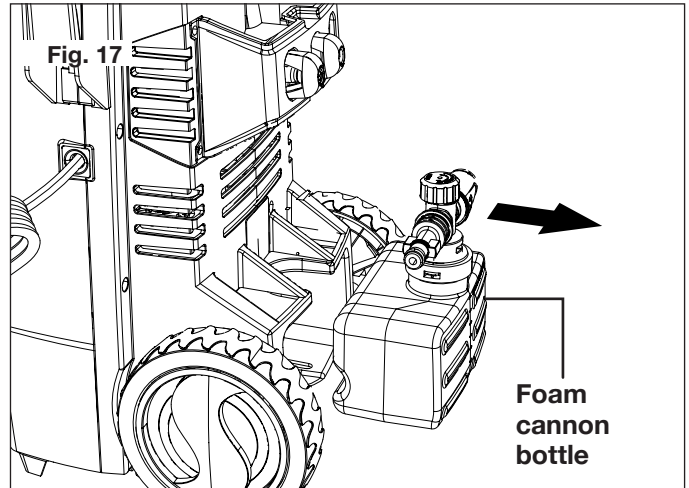
**⚠️ WARNING!** Do not make changes to the nozzle while the trigger is engaged. Doing so could result in damage to the pressure washer or injury to the user.

## Working with Detergents

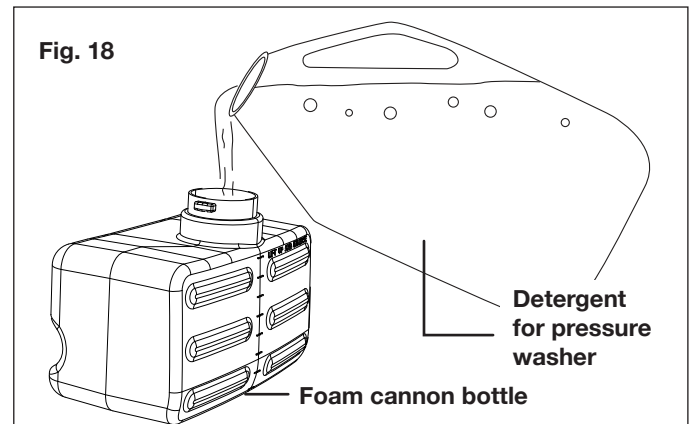
When cleaning with the pressure washer, some cleaning tasks can be solved with water alone, but for most tasks cleaning with detergent allows for more effective dirt removal.

**⚠️ WARNING!** Use only detergents specifically designed for use with pressure washers, such as Sun Joe® HOUSE + DECK WASH (SPX-HDC1G), Sun Joe® SNOW FOAM AUTO WASH (SPX-FCS1G), or Sun Joe® HEAVY DUTY CLEANER (SPX-APC1G). **DO NOT USE** household detergents, acids, alkaline solutions, bleaches, solvents, flammable material, or industrial grade solutions. These could damage the pressure washer. Many detergents may require mixing prior to use. Prepare the cleaning solution as instructed on the solution bottle.

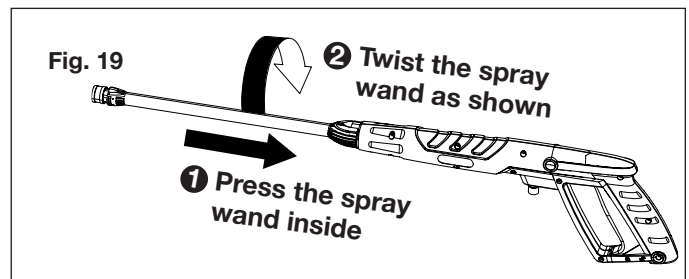
1. Gently pull the foam cannon bottle out of its storage position (Fig. 17).



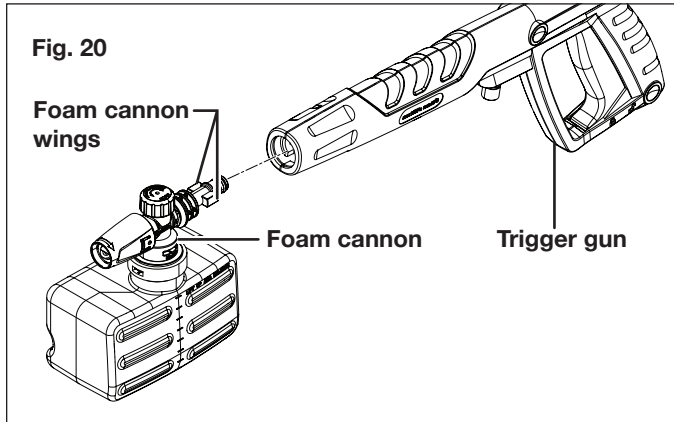
2. Remove the cap. Fill the bottle or mix as recommended by detergent instructions (Fig. 18), and replace it back on the unit. Secure the cap back into place.



3. Disconnect the spray wand from the trigger gun by pressing it in firmly and twisting clockwise until the 2 wings of the spray wand can be removed from the slot (Fig. 19).

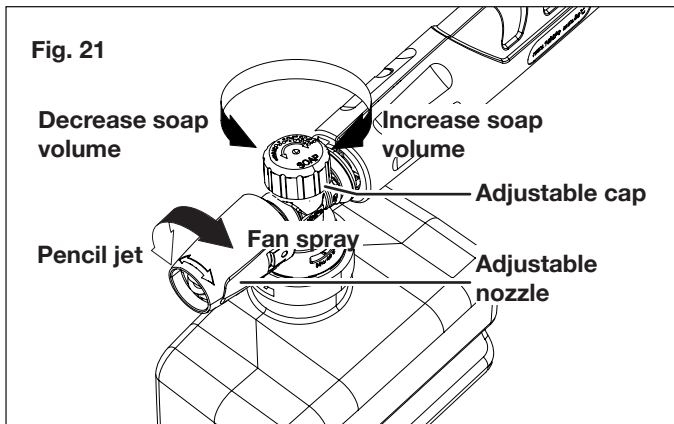


- To connect the foam cannon with the trigger gun, press the wings of the foam cannon into the slot of the trigger gun, then twist counterclockwise until the 2 parts are completely locked (Fig. 20).



- Turn on the pressure washer. Pull the trigger to operate the unit. The liquid detergent will automatically mix with water and be discharged through the nozzle.

**NOTE:** The spray angle can be adjusted from 0° to 45° by rotating the foam cannon nozzle. The foam volume can be adjusted by rotating the adjustable cap, as indicated below (Fig. 21).



**WARNING!** Do not adjust the foam cannon while the trigger is squeezed. Failure to do so could result in damage.

**CAUTION!** Always test the detergent in an inconspicuous area before use.

- Apply detergent from the bottom to the top of the dry surface to be cleaned.

**NOTE:** Wetting the surface first is not recommended as it dilutes the detergent and reduces its cleaning ability.

- Allow the detergent to remain on the surface for a short time before rinsing. Do not allow the detergent to dry on the surface.

**CAUTION!** Damage may occur to painted surfaces if the detergent is allowed to dry on the surface. Wash and rinse a small section at a time. Avoid working on hot surfaces or in direct sunlight.

- When finished using the pressure washer, you must first drain and rinse the foam cannon bottle. Run the pressure washer until all of the soap is drained from the foam cannon bottle.

**CAUTION!** Failure to follow these cleaning instructions will cause the injection system to become clogged and inoperable.

**IMPORTANT! NEVER USE:**

- Bleach, chlorine products, and other corrosive chemicals
- Liquids containing solvents (e.g. paint thinners, gasoline, oils)
- Tri-sodium phosphate products
- Ammonia products
- Acid-based products

These chemicals will harm the unit and will damage the cleaning surface.

## Shutting down

- Turn the switch to the OFF (0) position and unplug the power cord from the outlet.
- Turn off the water source.
- Hold the trigger to release water pressure.
- Disconnect the garden hose from the water inlet on the unit.
- Disconnect the high-pressure hose connection on the trigger gun handle.
- Release the trigger and engage the gun safety lock.

**WARNING!** Turn off the water supply and squeeze the trigger to depressurize the unit. Failure to do so could result in personal injury due to discharge of high-pressure water.

## Taking a break

If you are taking a break of five minutes or more between cleaning tasks:

- Engage the gun safety lock on the back.
- Turn the switch to the OFF (0) position.
- Unplug the power cord from the outlet.

## Storage

**⚠ CAUTION!** Always store your pressure washer in a location where the temperature will not fall below 32°F (0°C). The pump in this machine is susceptible to permanent damage if it freezes. **FREEZE DAMAGE IS NOT COVERED BY THE WARRANTY.**

- Store the pressure washer indoors in a dry, covered area where it is not subject to adverse weather conditions.
- It is important to store this product in a frost-free area.
- Always empty water from the hoses, the pump, and the foam cannon bottle (if using) before storing.

**⚠ CAUTION!** The use of a pump protector is recommended to prevent cold weather damage during storage over the winter months.

## Winterizing + long-term storage

If you must store your pressure washer in a location where the temperature falls below 32°F (0°C), you can minimize the chance of damage to your machine by utilizing the following procedure:

- Disconnect all water connections.
- Turn on the pressure washer for a few seconds until the remaining water in the pump exits. Turn off immediately.
- Do not allow the high-pressure hose to become kinked.
- Store the machine and accessories in a room that does not reach freezing temperatures.
- Do not store near a furnace or other sources of heat that may dry out the pump seals.
- Operate the pressure washer with non-corrosive/non-toxic anti-freeze, a pump saver, or a pump protector before storing for the winter.

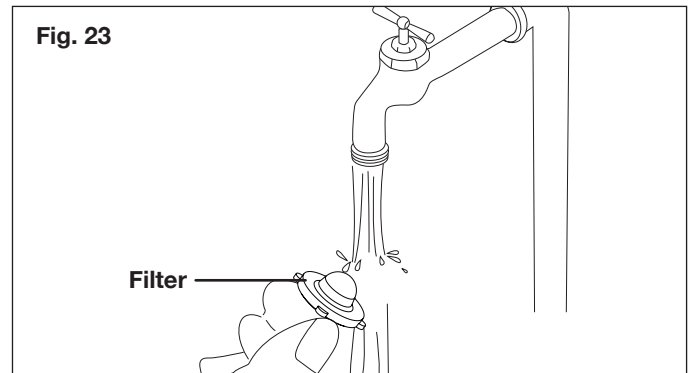
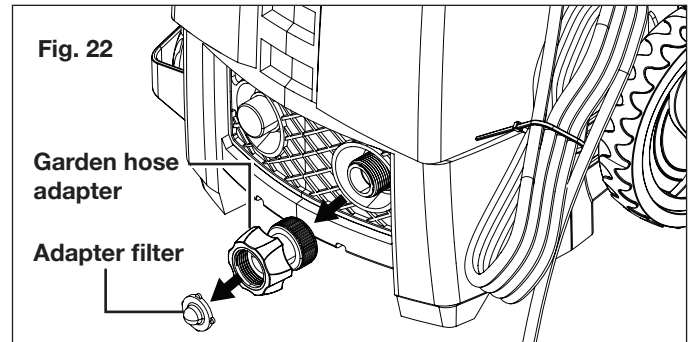
**⚠ WARNING!** Before reusing, completely flush the unit out with clear water. Anti-freeze products can damage paintwork, so you must ensure there is no anti-freeze left in the system before using it again.

## Maintenance

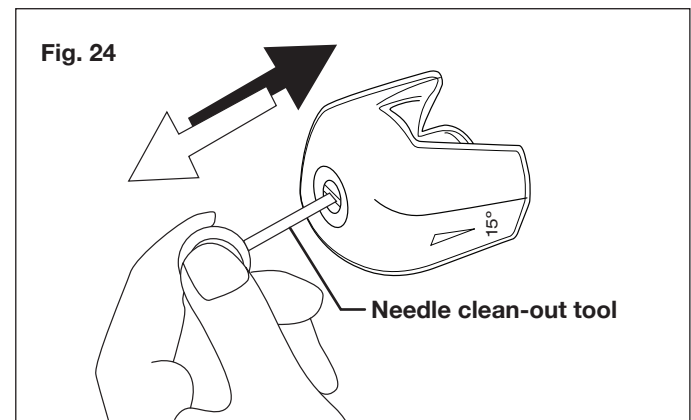
**⚠ CAUTION!** Before working on the pressure washer, disconnect the plug from the power supply socket.

### Clean the Adapter Filter and the Nozzle

1. To ensure good performance, check and clean the adapter filter (Fig. 22). Remove the filter and rinse with warm water to prevent any foreign matter from clogging the pump (Fig. 23).



2. Clean the nozzle with the needle clean-out tool provided (Fig. 24). Remove the nozzle from the spray wand; remove any dirt from the nozzle hole and rinse.



# Disposal

## Recycling the Pressure Washer

- Do not dispose of electrical appliances as unsorted municipal waste. Use separate collection facilities.
- Contact your local government agency for information regarding the collection systems available.
- If electrical appliances are disposed of in landfills or dumps, hazardous substances can leak into the groundwater and get into the food chain, damaging your health and well-being.

## Service + Support

If your Sun Joe® SPX2598-MAX electric pressure washer requires service or maintenance, please call the Snow Joe® + Sun Joe® customer service center at 1-866-SNOWJOE (1-866-766-9563).

## Model + Serial Numbers

When contacting the company, reordering parts, or arranging service from an authorized dealer, you will need to provide the model and serial numbers, which can be found on the decal located on the housing of the unit. Copy these numbers into the space provided below.

<b>Record the following numbers from the housing or handle of your new product:</b>	
Model #:	
S   P   X   2   5   9   8   -   M   A   X	
Serial #:	

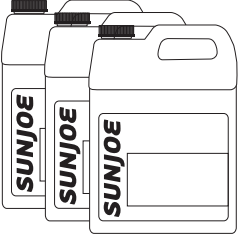
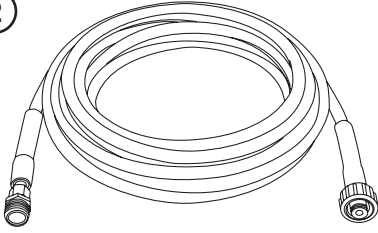
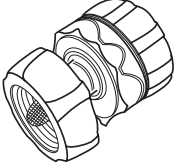
# Troubleshooting

- Disconnect the unit from the electrical power supply before carrying out maintenance on the machine or when checking that its parts are in proper working order.
- To avoid unnecessary hassles, consult the following table before contacting customer service with any mechanical issues.

Problems	Possible Cause	Possible Solution
Machine refuses to start	<ul style="list-style-type: none"> <li>• Power failure/machine not plugged into a working receptacle.</li> <li>• Defective socket.</li> <li>• Fuse has blown.</li> <li>• Defective extension cord.</li> </ul>	<ul style="list-style-type: none"> <li>• Check to make sure machine is plugged into a working outlet.</li> <li>• Check the power cord and reset the GFCI. Try a different outlet.</li> <li>• Replace fuse. Switch off any other machines that are using the same circuit.</li> <li>• Try the unit without an extension cord.</li> </ul>
Fluctuating pressure	<ul style="list-style-type: none"> <li>• Pump sucking air.</li> <li>• Valves dirty, worn out, or stuck.</li> <li>• Pump seals worn out.</li> </ul>	<ul style="list-style-type: none"> <li>• Check the hoses and connections are airtight.</li> <li>• Clean or replace valves/seals.</li> <li>• Please call the Snow Joe® + Sun Joe® customer service center at 1-866-SNOWJOE (1-866-766-9563) for assistance.</li> </ul>
Machine stops	<ul style="list-style-type: none"> <li>• Fuse has blown.</li> <li>• Incorrect mains voltage.</li> <li>• Thermal sensor activated.</li> <li>• Nozzle partially blocked.</li> </ul>	<ul style="list-style-type: none"> <li>• Replace fuse. Switch off other machines using the same circuit.</li> <li>• Check that the mains voltage corresponds to specification on the model tag.</li> <li>• Let the washer cool down for 5 minutes, then restart.</li> <li>• Clean the nozzle.</li> </ul>
Fuse blows	<ul style="list-style-type: none"> <li>• Fuse too small.</li> </ul>	<ul style="list-style-type: none"> <li>• Install a fuse with a higher amp rating than the amp consumption of the machine. Try the unit without an extension cord.</li> </ul>
Machine pulsating	<ul style="list-style-type: none"> <li>• Air in inlet hose.</li> <li>• Inadequate supply of mains water.</li> <li>• Nozzle partially blocked.</li> <li>• Water filter blocked.</li> <li>• Hose kinked.</li> </ul>	<ul style="list-style-type: none"> <li>• Allow machine to run by holding the trigger until regular working pressure resumes.</li> <li>• Check that the water supply corresponds to the specifications required.</li> <li>• <b>WARNING!</b> Avoid using long, thin hoses (minimum 1/2 in. diameter).</li> <li>• Clean the nozzle.</li> <li>• Clean the water inlet filter.</li> <li>• Straighten out the hose to remove any kinks/blockages.</li> </ul>
Machine often starts and stops by itself	<ul style="list-style-type: none"> <li>• Pump/spray gun is leaking.</li> <li>• Trigger mechanism is broken.</li> </ul>	<ul style="list-style-type: none"> <li>• Please call the Snow Joe® + Sun Joe® customer service center at 1-866-SNOWJOE (1-866-766-9563) for assistance.</li> </ul>
Machine starts, but no water comes out	<ul style="list-style-type: none"> <li>• Pump/hoses or accessories frozen.</li> <li>• No water supply.</li> <li>• Water inlet filter blocked.</li> <li>• Nozzle blocked.</li> </ul>	<ul style="list-style-type: none"> <li>• Wait for pump/hoses or accessories to thaw.</li> <li>• Connect inlet water.</li> <li>• Clean the water inlet filter.</li> <li>• Clean the nozzle.</li> </ul>

## Optional Accessories

**⚠️ WARNING!** ALWAYS use only authorized Snow Joe® + Sun Joe® replacement parts and accessories. NEVER use replacement parts or accessories that are not intended for use with this electric pressure washer. Contact Snow Joe® + Sun Joe® if you are unsure whether it is safe to use a particular replacement part or accessory with your pressure washer. The use of any other attachment or accessory can be dangerous and could cause injury or mechanical damage.

Accessories	Item	Model
<p>①</p> 	<p>Sun Joe® House + Deck All-Purpose Pressure Washer Rated Concentrated Cleaner</p> <p>Sun Joe® Premium Snow Foam Pressure Washer Rated Car Wash Soap + Cleaner</p> <p>Sun Joe® All-Purpose Heavy Duty Pressure Washer Rated Cleaner + Degreaser</p>	<p>SPX-HDC1G</p> <p>SPX-FCS1G</p> <p>SPX-APC1G</p>
<p>②</p> 	<p>25-Foot Medium-duty Extension Hose for SPX Pressure Washer Series</p>	<p>SPX-25H</p>
<p>③</p> 	<p>Solid Brass Universal Quick-Connect Coupler (Garden Hose to Pressure Washer Adapter)</p>	<p>SPX-UQC</p>

Sun Joe's complete line of premium pressure washer accessories and attachments make it easy to get your dirty work done, and also help you get the most out of your model!

**SHOP ONLINE now at [sunjoe.com](http://sunjoe.com)**

**NOTE:** Accessories are subject to change without any obligation on the part of Snow Joe® + Sun Joe® to provide notice of such changes. Accessories can be ordered online at [sunjoe.com](http://sunjoe.com) or via phone by contacting the Snow Joe® + Sun Joe® customer service center at 1-866-SNOWJOE (1-866-766-9563).





## SNOW JOE® + SUN JOE® CUSTOMER PROMISE

**ABOVE ALL ELSE**, Snow Joe, LLC (“Snow Joe”) is dedicated to you, our customer. We strive to make your experience as pleasant as possible. Unfortunately, there are times when a Snow Joe®, Sun Joe®, or Aqua Joe® product (“Product”) does not work or breaks under normal operating conditions. We think it’s important that you know what you can expect from us. That’s why we have a Limited Warranty (“Warranty”) for our Products.

---

### **OUR WARRANTY:**

Snow Joe warrants new, genuine, powered and non-powered Products to be free from defects in material or workmanship when used for ordinary household use for a period of two years from the date of purchase by the original, end-user purchaser when purchased from Snow Joe or from one of Snow Joe’s authorized sellers with proof of purchase. Because Snow Joe is unable to control the quality of its Products sold by unauthorized sellers, unless otherwise prohibited by law, this Warranty does not cover Products purchased from unauthorized sellers. If your Product does not work or there’s an issue with a specific part that is covered by the terms of this Warranty, Snow Joe will elect to either (1) send you a free replacement part, (2) replace the Product with a new or comparable product at no charge, or (3) repair the Product. How cool is that!

**This Warranty gives you specific legal rights, and you may also have other rights which vary from State to State.**

### **PRODUCT REGISTRATION:**

Snow Joe strongly encourages you to register your Product. You can register online at [snowjoe.com/register](https://snowjoe.com/register), or by printing and mailing in a registration card available online from our website, or calling our Customer Service Department at **1-866-SNOWJOE (1-866-766-9563)**, or by e-mailing us at [help@snowjoe.com](mailto:help@snowjoe.com). Failure to register your Product will not diminish your warranty rights. However, registering your Product will allow Snow Joe to better serve you with any of your customer service needs.

### **WHO CAN SEEK LIMITED WARRANTY COVERAGE:**

This Warranty is extended by Snow Joe to the original purchaser and original owner of the Product.

### **WHAT IS NOT COVERED?**

This Warranty does not apply if the Product has been used commercially or for non-household or rental applications. This Warranty also does not apply if the Product was purchased from an unauthorized seller. This Warranty also does not cover cosmetic changes that do not affect performance. Wearing parts like belts, augers, chains and tines are not covered under this Warranty, and can be purchased at [snowjoe.com](https://snowjoe.com) or by calling **1-866-SNOWJOE (1-866-766-9563)**.



**MANUAL DEL OPERADOR**

Una división de Snow Joe®, LLC

**13 A HIDROLAVADORA ELÉCTRICA****2,000 PSI MÁX.** AL MOMENTO DE LA DESCARGA INICIAL SEGÚN PRUEBA DE PRESIÓN INTERNA DE CSA  
**6.1 L/min MÁX.** CON BOQUILLA ABIERTA A MÍNIMA PRESIÓN**Modelo SPX2598-MAX**

Forma N° SJ-SPX2598-MAX-880S-MR3

## ¡IMPORTANTE!

### Instrucciones de seguridad

### Todos los operadores deberán leer estas instrucciones antes del uso

**⚠ ¡ADVERTENCIA!** Esto indica una situación peligrosa que, de no ser evitada, puede resultar en lesiones personales severas o la muerte.

**⚠ ¡PRECAUCIÓN!** Esto indica una situación peligrosa que, de no ser evitada, puede resultar en lesiones personales menores o moderadas.

**⚠ ¡PELIGRO!** Esto indica una situación peligrosa que, de no ser evitada, dará como resultado lesiones personales severas o la muerte.

### Seguridad general

**⚠ ¡ADVERTENCIA!** Este artefacto no ha sido diseñado para su uso por niños ni por otras personas sin asistencia o supervisión cuyas habilidades físicas, sensoriales o mentales les impidan usarlo de forma segura. Los niños deben estar bajo supervisión para garantizar que no jueguen con el artefacto.

Antes de encender su máquina, inspecciónela cuidadosamente para cerciorarse de que no tenga defectos. Si encuentra algún defecto, no la encienda. Contacte a un concesionario autorizado Snow Joe® + Sun Joe® o comuníquese con la central de servicio al cliente Snow Joe® + Sun Joe® llamando al 1-866-SNOWJOE (1-866-766-9563).

**⚠ ¡ADVERTENCIA!** Se deben tomar precauciones básicas de seguridad siempre que se use esta hidrolavadora para reducir riesgos de incendio, choque eléctrico y lesiones personales. Estas precauciones incluyen:

- **Conozca su producto:** sepa cómo detener la máquina y purgar la presión de forma rápida. Familiarícese a fondo con los controles.
- **Mantenga alejados a los transeúntes:** todas las personas y mascotas deberán encontrarse a una distancia segura del área de trabajo.
- **Use el producto adecuado:** no utilice esta máquina para ningún otro trabajo excepto para el cual ha sido diseñada.

- **Vístase apropiadamente:** no utilice prendas holgadas ni joyería. Pueden llegar a engancharse en las partes móviles. Al trabajar en exteriores, se recomienda el uso de guantes de goma y calzado antideslizante.
- **⚠ ¡PRECAUCIÓN!** Tenga cuidado y evite resbalar o caer. Utilice calzado protector que proteja sus pies y mejore su posición de pie en superficies resbaladizas.
- **Manténgase alerta:** vea lo que está haciendo. Utilice su sentido común. No opere la hidrolavadora si usted está cansado o bajo la influencia del alcohol o las drogas.
- **No se extralimite:** mantenga con sus pies una posición y un balance adecuados todo el tiempo.
- **Evite encendidos accidentales:** no transporte la máquina enchufada con su dedo sobre el gatillo. Asegúrese de que el interruptor esté en la posición de apagado antes de enchufar la unidad.
- **No abuse del cable:** nunca mueva la máquina tirando de su cable, ni tire bruscamente de este para desconectar la máquina del tomacorriente. Mantenga el cable alejado del calor, aceite y bordes afilados.
- **Use gafas protectoras:** use también calzado protector, ropa que se ajuste a su cuerpo, guantes protectores y protección auditiva y para la cabeza.
- **Compruebe la temperatura del agua:** esta hidrolavadora no está hecha para bombear agua caliente. **NUNCA** la conecte a una fuente de agua caliente, ya que esto reducirá significativamente el ciclo de vida útil de la bomba.
- **Guárdela en un lugar bajo techo:** **NUNCA** almacene la hidrolavadora en exteriores o donde pueda congelarse. La bomba podría dañarse severamente.
- **Interruptor de circuito por falla a tierra (GFCI):** este producto incluye un interruptor de circuito por falla a tierra incorporado al enchufe del cable de alimentación. Si se necesita reemplazar el enchufe o cable de alimentación, use solo partes de repuesto idénticas.
- **Inspeccione los cables eléctricos:** el aislamiento del cable de alimentación debe estar perfectamente intacto. Si el cable de alimentación está dañado o hay señales de desgaste o deterioro, no use esta hidrolavadora. Contacte a un concesionario autorizado Snow Joe® + Sun Joe® o comuníquese con la central de servicio al cliente Snow Joe® + Sun Joe® llamando al 1-866-SNOWJOE (1-866-766-9563).

**⚠ ¡ADVERTENCIA!** No use este artefacto sin antes leer este manual de instrucciones.

**⚠ ¡ADVERTENCIA!** Este artefacto ha sido diseñado para su uso con agentes de limpieza recomendados por el

fabricante. El uso de otros agentes de limpieza o químicos puede afectar de forma negativa la seguridad del artefacto.

**⚠ ¡ADVERTENCIA!** No use el artefacto cerca de personas, a menos que estén usando ropa protectora.

**⚠ ¡ADVERTENCIA!** Los chorros de alta presión pueden ser peligrosos si se manipulan incorrectamente. El chorro no deberá estar dirigido a personas, mascotas, equipos eléctricos activos ni al artefacto en sí.

- No dirija el chorro hacia usted u otras personas para limpiar ropa o calzado.
- **Riesgo de explosión:** no rocíe líquidos inflamables.
- **Desconecte la herramienta:** desconecte la hidrolavadora de la fuente de alimentación antes de llevar a cabo cualquier tarea de mantenimiento.
- **Mantenga alejados a los niños:** esta hidrolavadora de alta presión no debe ser usada por niños ni por personas no capacitadas.
- Para garantizar un uso seguro del artefacto, use solo partes de repuesto del fabricante o aprobadas por éste.

**⚠ ¡ADVERTENCIA!** El agua que ha fluído a través de válvulas contra-reflujo se considera no potable.

**⚠ ¡ADVERTENCIA!** La máquina deberá estar desconectada de su fuente de alimentación, es decir desenchufada del tomacorriente, durante la limpieza, mantenimiento o reemplazo de las partes.

**⚠ ¡ADVERTENCIA!** Las mangueras, juntas y acoplamientos de alta presión son importantes para la seguridad de este artefacto. Use solo mangueras, juntas y acoplamientos recomendados por el fabricante.

- **Inspeccione en busca de partes dañadas:** no use el artefacto si hay daños en el cable de alimentación o en partes importantes; p. ej., dispositivos de seguridad, manguera para presión alta o pistola rociadora.

**⚠ ¡ADVERTENCIA!** Si se usa un cable de extensión, su enchufe y tomacorriente deben ser a prueba de agua.

**⚠ ¡ADVERTENCIA!** Los cables de extensión inadecuados pueden ser peligrosos.

- Esta hidrolavadora de alta presión no debe ser usada a temperaturas menores de 32°F (0°C).

**⚠ ¡ADVERTENCIA!** El cable de alimentación debe estar siempre desenrollado por completo para evitar el sobrecalentamiento.

- Las conexiones de cables de alimentación deben permanecer secas y por encima del nivel del suelo.
- Si el cable de alimentación está dañado, no utilice la hidrolavadora. Contacte a un concesionario autorizado Snow Joe® + Sun Joe® o comuníquese con la central

de servicio al cliente Snow Joe® + Sun Joe® llamando al 1-866-SNOWJOE (1-866-766-9563).

- Mantenga la máquina en una superficie estable y plana durante su operación, manipulación, transporte y almacenamiento. Un volcado repentino de la máquina puede causar lesiones personales.
- En caso de accidente o desperfecto, desenchufe la máquina inmediatamente. Si hay contacto con el detergente, enjuague con abundante agua limpia.

## Seguridad eléctrica

**ATENCIÓN:** si hay problemas con la red eléctrica, pueden ocurrir caídas breves de voltaje al encender el equipo. Estas a su vez pueden afectar otros equipos (como por ejemplo, una lámpara parpadeando). Si la IMPEDANCIA DE LA RED ( $Z_{max}$ ) es menor que 0.335 ohmios, estas fluctuaciones no son esperadas. Si necesita ayuda, puede contactar a su empresa local de suministro eléctrico para más información.

**⚠ ¡ADVERTENCIA!** Peligro de choque eléctrico: antes de encender su hidrolavadora, inspecciónela cuidadosamente para comprobar que no tenga defectos. Si encuentra algún defecto, no la encienda y comuníquese con su distribuidor.

Al conectar la hidrolavadora de alta presión a la red eléctrica, se debe cumplir con lo siguiente:

- La conexión al suministro eléctrico deberá haber sido hecha por una persona calificada.
- La alimentación de electricidad a este artefacto deberá incluir ya sea un dispositivo de corriente residual (RCD), que interrumpirá el suministro si la corriente de fuga a tierra excede los 30 mA durante 30 ms, o un interruptor de circuito por falla a tierra (GFCI).

**IMPORTANTE:** solo use agua sin impurezas. Si hay un peligro de arena fluyendo en el agua de entrada (p. ej., de su propio pozo), se deberá instalar un filtro adicional.

## Dispositivos de seguridad

La pistola rociadora incluye un dispositivo de trabado. Cuando el dispositivo de trabado está activado, la pistola rociadora no puede ser operada.

1. **Sensor térmico:** un sensor térmico protege el motor contra sobrecargas. Si el sensor térmico se ha activado y la alimentación ha sido interrumpida, espere unos minutos hasta que el motor se enfríe para poder re-encender la unidad.
2. **Doble aislamiento:** en un artefacto de doble aislamiento, se proporcionan dos sistemas de aislamiento en lugar de una conexión a tierra. Un artefacto de doble aislamiento no posee una conexión a tierra, y no debe agregársele ninguna. La reparación de un artefacto de doble aislamiento requiere sumo cuidado y conocimiento del sistema, y solo debe ser realizada por personal técnico calificado en un centro de servicio autorizado

por Snow Joe®+ Sun Joe®. Las partes de repuesto de un artefacto de doble aislamiento deben ser idénticas a las partes originales. Un artefacto de doble aislamiento está marcado con las frases “Double Insulation” (“doblemente aislado”) o “Double Insulated” (“doble aislamiento”). El símbolo □ (un cuadrado dentro de otro) puede también estar marcado en el artefacto.

**3. Protección de interruptor de circuito por falla a tierra (GFCI):** esta hidrolavadora incluye un interruptor de circuito por falla a tierra (GFCI) incorporado al enchufe de su cable de alimentación. Este dispositivo brinda una protección adicional contra el peligro de un choque eléctrico. En caso de que sea necesario reemplazar el enchufe o el cable, use solo partes de repuesto idénticas que incluyan una protección de GFCI.

**4.** No se recomienda usar un cable de extensión con esta hidrolavadora. La unidad incluye un cable de alimentación de 35 pies con GFCI. El uso de un cable de extensión puede causar una caída de voltaje, produciendo pérdida de potencia y sobrecalentamiento.

Si se va a usar un cable de extensión, utilice uno para uso en exteriores. Estos cables de extensión están identificados con la frase “Acceptable for use with outdoor appliance; store indoors while not in use” (“adecuado para uso con artefacto para exteriores; guárdelo en interiores cuando no esté siendo usado”). Use solo un cable de extensión que tenga una clasificación eléctrica mayor o igual a la del producto. No use cables de extensión dañados. Examine el cable de extensión antes de usarlo, y reemplácelo si está dañado. No maltrate el cable de extensión, ni tire violentamente de este para desconectarlo del tomacorriente. Mantenga el cable alejado del calor y bordes afilados. Siempre desconecte el cable de extensión del receptáculo antes de desconectar el producto del cable de extensión.

**5.** Para reducir el riesgo de un choque eléctrico, este artefacto posee un enchufe polarizado (es decir, una pata es más ancha que la otra). El enchufe del aparato encajará completamente, en una sola posición, en un tomacorriente polarizado.

Si el enchufe del artefacto no entra por completo en el tomacorriente, invierta las clavijas del enchufe. Si el enchufe aún no encaja en el tomacorriente, asegúrese de estar usando el tomacorriente polarizado correcto. Si el enchufe aún no encaja, comuníquese con un electricista calificado para la instalación de un tomacorriente de pared apropiado. No modifique el enchufe del artefacto, ni el receptáculo del cable de alimentación, ni el enchufe del cable de alimentación en ninguna forma.

⚠ **ADVERTENCIA** ⚠

**Un choque eléctrico puede causar lesiones personales SEVERAS o LA MUERTE. Tenga en cuenta estas advertencias:**

- No deje que ninguna parte de la hidrolavadora haga contacto con agua mientras esté funcionando. Si la máquina se moja mientras está apagada, séquela antes de encenderla.
- No use un cable de extensión de más de 25 pies (7.6 m). La hidrolavadora incluye un cable de alimentación de 35 pies (10.6 m). El largo combinado del cable no puede superar los 60 pies (18.3 m). Todos los cables de extensión deben ser de calibre 14, o más grueso, para suministrar electricidad a la hidrolavadora de forma segura.
- No toque el artefacto, ni su enchufe, con las manos mojadas ni mientras esté parado sobre agua. Usar botas de hule le dará algo de protección.

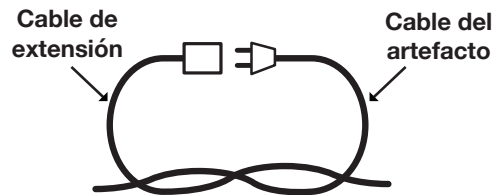
**TABLA DE CABLES DE EXTENSIÓN**

Longitud de cable:	25 pies (7.6 m)
Calibre mínimo de alambre (AWG):	14

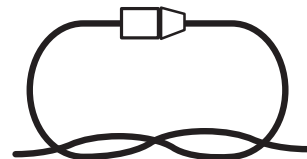
**⚠ ¡ADVERTENCIA!** Para reducir el riesgo de un choque eléctrico, mantenga todas las conexiones secas y por encima del nivel del suelo. No toque el enchufe con las manos mojadas.

**6.** Para evitar que el cable del artefacto se desconecte del cable de extensión al usarlo, haga un nudo con los dos cables tal como se muestra en el gráfico 1

**Gráfico 1: método para asegurar el cable de extensión**



**(A) Ate el cable como se indica**



**(B) Conecte el enchufe y el receptáculo**

7. No maltrate el cable. Nunca jale la hidrolavadora por su cable ni tire de éste para desconectarla del tomacorriente. Mantenga el cable alejado del calor, aceites y bordes afilados.

### **Riesgo de choque eléctrico**

- Inspeccione el cable antes del uso.
- No use el cable si está dañado.
- Mantenga todas las conexiones secas y por encima del suelo.
- No toque el enchufe con las manos mojadas.
- Mantenga el cable alejado del calor y bordes afilados.
- No rocíe artefactos ni cableados eléctricos.

### **Riesgo de explosión**

- No rocíe líquidos inflamables.
- No use ácidos, alcalinos, solventes, ni ningún material inflamable con este producto. Estas sustancias pueden causar lesiones personales al operador y daños irreversibles a la máquina.

### **Instrucciones adicionales de seguridad**

- Alta presión: manténgase alejado de la boquilla.
- Peligro de inyección: el equipo puede causar lesiones personales severas si el rociado penetra la piel.
- No apunte la pistola rociadora a nadie ni a ninguna parte de su cuerpo.
- En caso de penetración en la piel, busque ayuda médica inmediatamente.
- Antes de reparar, limpiar o retirar cualquier parte, apague la unidad y reduzca la presión.
- Esta máquina no está diseñada para ser conectada a una red de suministro de agua potable.

## **Descripción del producto**

### **Propósito**

- Esta hidrolavadora ha sido diseñada solo para uso residencial. Está destinada a trabajos de limpieza, de intermedios a pesados, en botes, motocicletas, vehículos recreativos (RV), vehículos todo-terreno (ATV), remolques, terrazas, barbacoas, fachadas, muebles de patios y demás.

### **Áreas de aplicación**

- ¡Bajo ninguna circunstancia use la máquina en áreas potencialmente explosivas!
- La temperatura de operación debe estar entre 32°F (0°C) y 104°F (40°C).
- La máquina es una estructura con una bomba empotrada en una carcasa que absorbe impactos. Para que el operador cuente con una posición de trabajo óptima, la máquina viene con una vara rociadora y un mango antideslizante cuyas formas y configuraciones cumplen con los reglamentos aplicables.
- No cubra ni modifique la vara rociadora o la boquilla de rociado de ningún modo.
- La hidrolavadora de alta presión está diseñada para ser usada con agua fría o tibia. El agua a temperaturas más elevadas puede dañar la bomba.
- No use agua sucia, arenosa, o que contenga productos químicos. Dichas impurezas pueden perjudicar la operación y reducir el ciclo de vida útil de la máquina.



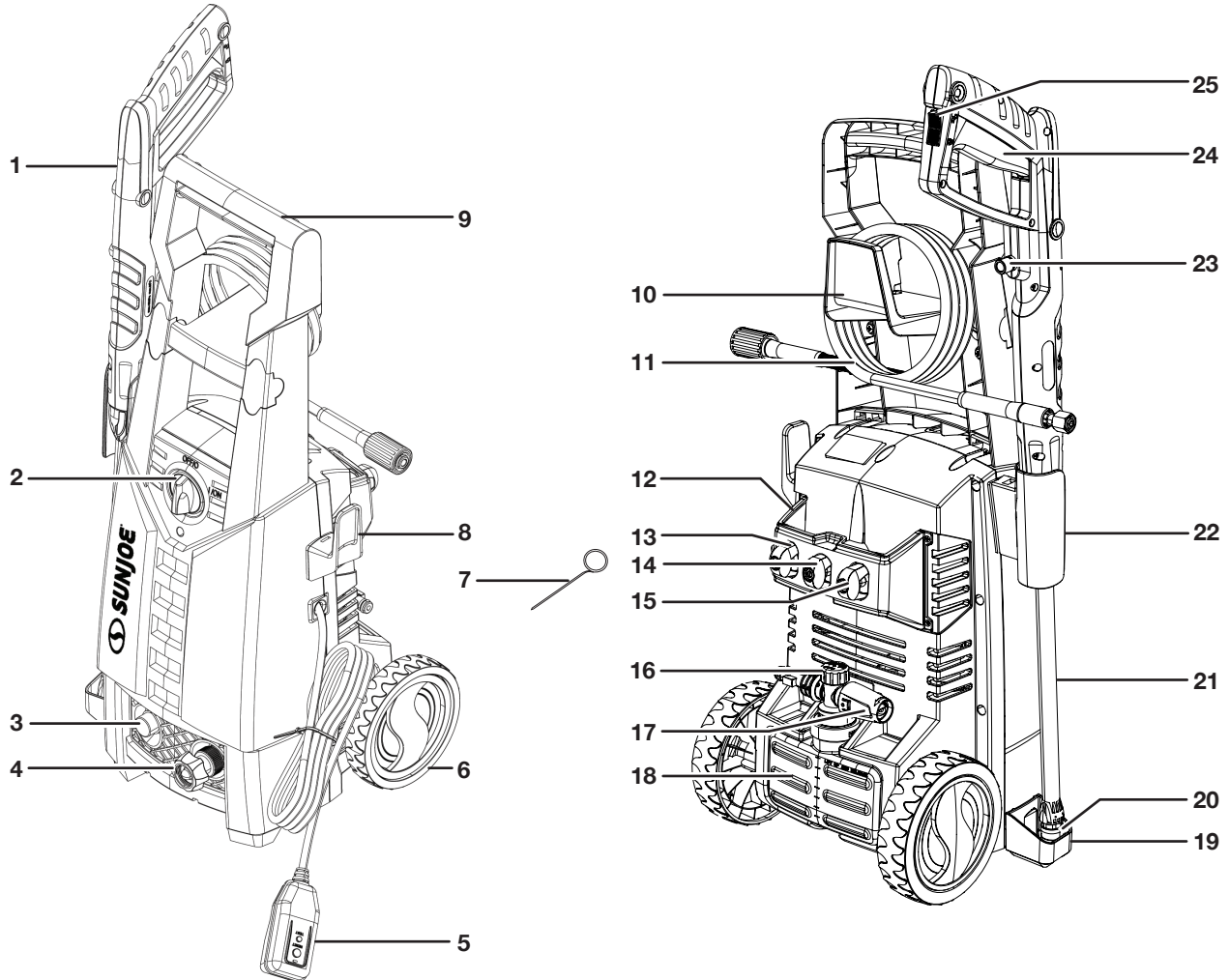
# Símbolos de seguridad

La siguiente tabla muestra y describe los símbolos de seguridad que pueden aparecer en este producto. Lea, comprenda y siga todas las instrucciones relacionadas con esta máquina antes de intentar ensamblarla y operarla.

Símbolo	Descripción	Símbolo	Descripción
	<b>LEA EL(LOS) MANUAL(ES) DEL OPERADOR:</b> lea, comprenda y siga todas las instrucciones en el(los) manual(es) antes de intentar ensamblar y operar esta unidad.		<b>¡ADVERTENCIA!</b> Peligro de choque eléctrico.
	<b>ALERTA DE SEGURIDAD:</b> indica una precaución, advertencia o peligro.		<b>¡ADVERTENCIA!</b> No exponga la unidad a la lluvia ni a entornos mojados. Manténgala seca.
	<b>USE PROTECCIÓN OCULAR Y AUDITIVA:</b> para evitar lesiones personales, use protección auditiva y gafas protectoras.		Para reducir el riesgo de lesiones personales, el usuario debe mantener a los transeúntes alejados al menos a 49 pies (15 m) de distancia.
	Use guantes de seguridad durante la operación para proteger sus manos.		Utilice calzado antideslizante que proteja sus pies y mejore su posición de pie en superficies resbaladizas.
	Guárdela en interiores. Nunca almacene la hidrolavadora en exteriores. Si la bomba se congela, puede dañarse de forma permanente.		La máquina no es adecuada para su conexión a la red de suministro de agua potable.
	Mantenga siempre el cable de alimentación alejado de fuentes de calor, grasa o bordes afilados. Retire inmediatamente el enchufe del tomacorriente si el cable se daña o se enreda.		<b>¡ADVERTENCIA!</b> Apague la máquina y desconéctela de la fuente de alimentación antes de inspeccionarla, limpiarla, cambiarle accesorios o llevar a cabo cualquier otra tarea de mantenimiento en esta
	<b>Doble aislamiento:</b> al prestar servicio, use solo partes de repuesto idénticas.		

# Conozca su hidrolavadora eléctrica

Lea detenidamente el manual del propietario y el reglamento de seguridad antes de operar la hidrolavadora. Compare la ilustración debajo con la unidad para familiarizarse con las ubicaciones de los diversos controles y ajustes. Conserve este manual para futuras referencias.



- |                                                         |                                                   |                                         |
|---------------------------------------------------------|---------------------------------------------------|-----------------------------------------|
| 1. Pistola rociadora                                    | 10. Sujetador de manguera de alta presión         | 17. Boquilla de detergente              |
| 2. Interruptor de encendido/apagado                     | 11. Manguera de alta presión                      | 18. Botella de cañón de espuma          |
| 3. Salida de agua/ conexión de manguera de alta presión | 12. Almacenamiento incorporado de boquillas       | 19. Protector de vara rociadora         |
| 4. Adaptador/ conector de manguera de jardín            | 13. Boquilla de conexión rápida de 0° (roja)      | 20. Collar de conexión rápida de latón  |
| 5. Cable de alimentación con GFCI                       | 14. Boquilla de conexión rápida de 15° (amarilla) | 21. Vara rociadora                      |
| 6. Rueda (x2)                                           | 15. Boquilla de conexión rápida de 40° (gris)     | 22. Sujetador de pistola rociadora      |
| 7. Herramienta de limpieza tipo aguja                   | 16. Tapa de ajuste de espuma                      | 23. Conexión a manguera de alta presión |
| 8. Sujetador de cable                                   |                                                   | 24. Gatillo                             |
| 9. Mango superior                                       |                                                   | 25. Traba de seguridad                  |

## Datos técnicos

Voltaje nominal .....	120 V; 60 Hz
Amperaje de motor.....	13 A
Temperatura máxima de agua de entrada .....	104°F (40°C)
Presión máxima de agua de entrada .....	0.7 MPa
Capacidad del cañón de espuma .....	33.8 fl Oz (1 L)
Longitud de manguera .....	20 pies (6 m)
Longitud de cable de alimentación .....	35 pies (10.7 m)
Presión máxima al momento de la descarga inicial según prueba de presión interna de CSA .....	2,000 PSI
Presión nominal bajo carga típica .....	1,500 PSI
Caudal máximo con boquilla .....	1.6 GPM (6.1 L/min)
abierta a mínima presión	
Caudal nominal bajo carga típica .....	1.2 GPM (4.5 L/min)
Peso neto .....	19.6 lb (8.9 kg)

## Desembalaje

### Contenido del paquete:

- Hidrolavadora eléctrica
- Mango superior
- Sujetador de manguera de alta presión
- Protector de vara rociadora
- Sujetador de pistola rociadora
- Sujetador de cable
- Tornillos 4.8 × 16 (×7)
- Vara rociadora
- Pistola rociadora
- Tres (3) boquillas de conexión rápida (0°, 15° y 40°)
- Herramienta de limpieza tipo aguja (incluida en el paquete del manual)
- Manguera de alta presión
- Adaptador para manguera de jardín (acoplador hembra)
- Manual y tarjeta de registro

1. Retire cuidadosamente la hidrolavadora eléctrica y compruebe que todos los artículos anteriores estén suministrados.
2. Inspeccione cuidadosamente el producto para asegurarse de que no haya ocurrido ningún daño o ruptura durante su transporte. Si alguna parte está dañada o extraviada, NO DEVUELVA la unidad a la tienda. Comuníquese con la central de servicio al cliente Snow Joe® + Sun Joe® llamando al 1-866-SNOWJOE (1-866-766-9563).

**NOTA:** no se deshaga de la caja de transporte ni de los materiales de embalaje hasta que usted esté listo para usar su hidrolavadora. El empaquetado está hecho de materiales reciclables. Deseche estos materiales de acuerdo con los reglamentos de su localidad.

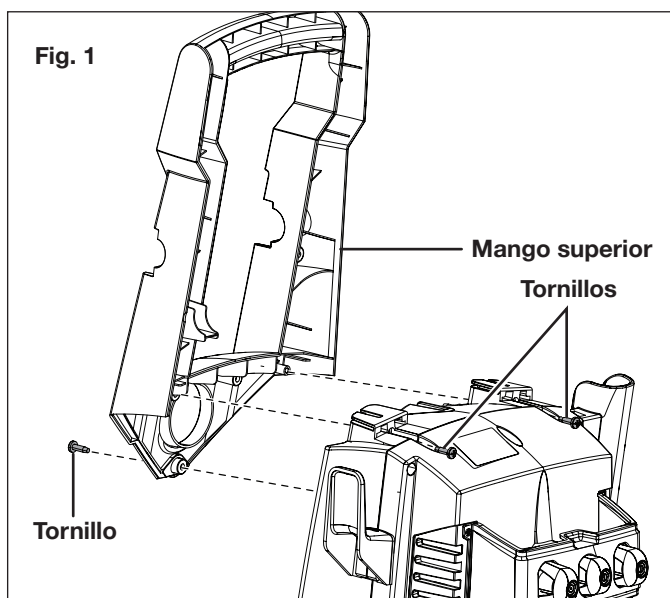
**¡IMPORTANTE!** El equipo y los materiales de embalaje no son juguetes. No permita que los niños jueguen con bolsas plásticas, láminas o partes pequeñas. ¡Estos objetos pueden ser tragados y representan un riesgo de asfixia!

**⚠ ¡ADVERTENCIA!** No conecte la herramienta a la fuente de alimentación hasta que esté completamente ensamblada. El incumplimiento de esta advertencia puede resultar en un encendido accidental que cause lesiones personales severas.

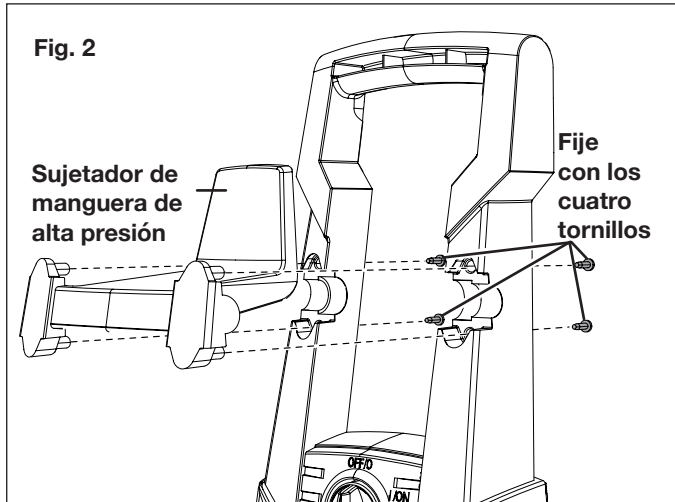
## Ensamblado

Herramienta requerida: destornillador Phillips.

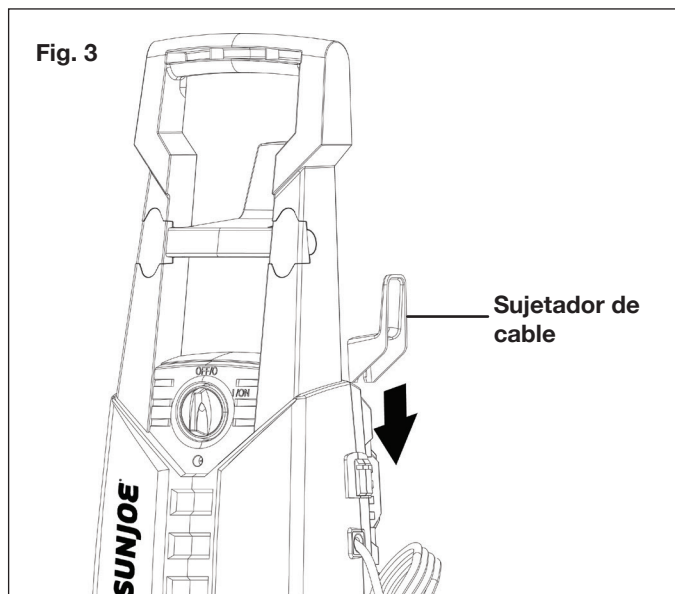
1. Deslice el mango superior en su posición de la parte superior de la hidrolavadora y fíjelo usando los tres tornillos tal como se muestra (Fig. 1).



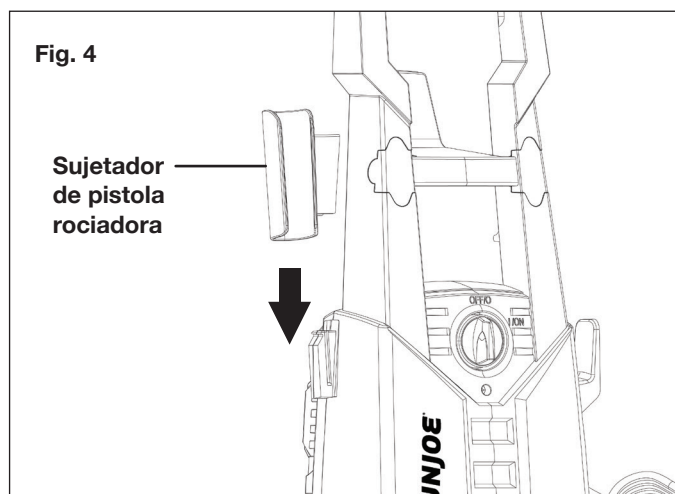
2. Conecte el sujetador de manguera de alta presión y asegúrelo usando los cuatro tornillos adicionales, tal como se muestra (Fig. 2).



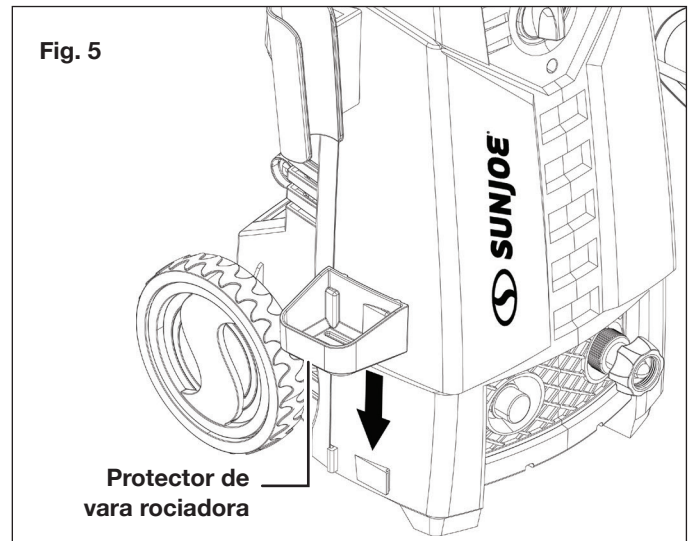
3. Deslice el sujetador de cable en su posición (Fig. 3).



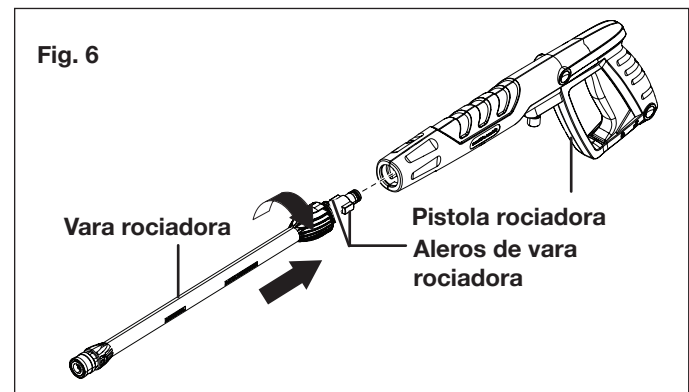
4. Deslice el sujetador de pistola rociadora en su posición (Fig. 4).



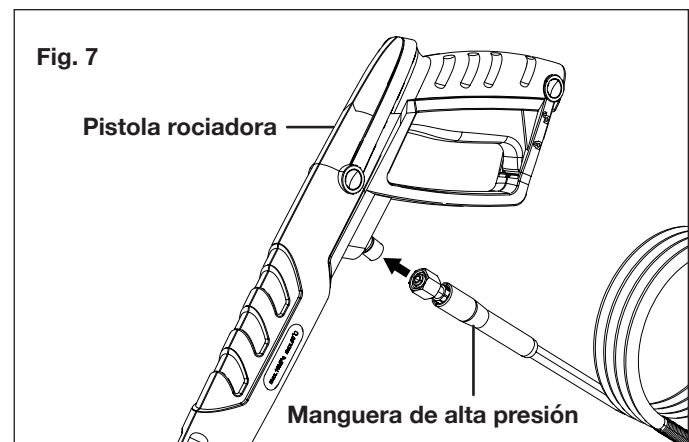
5. Deslice el protector de vara rociadora en su posición (Fig. 5).



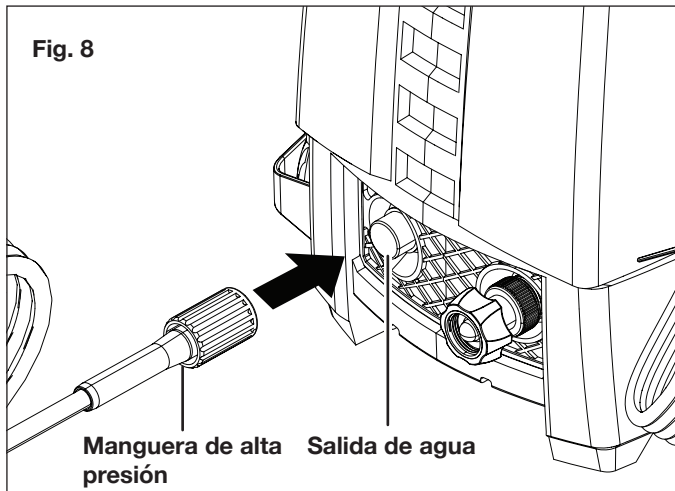
6. Para conectar la vara rociadora a la pistola, presione los aleros de la vara rociadora contra la ranura de la pistola, y luego gire en sentido antihorario hasta que las dos partes se hayan trabado por completo (Fig. 6).



7. Conecte la manguera de alta presión a la pistola. Enrózuela para asegurar la conexión (Fig. 7)



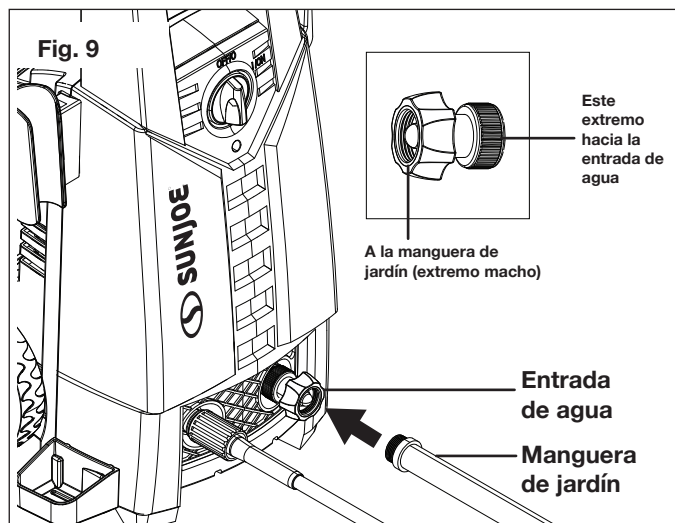
8. Conecte el otro extremo de la manguera de alta presión a la salida de agua en la hidrolavadora y apriételo para asegurar (Fig. 8).



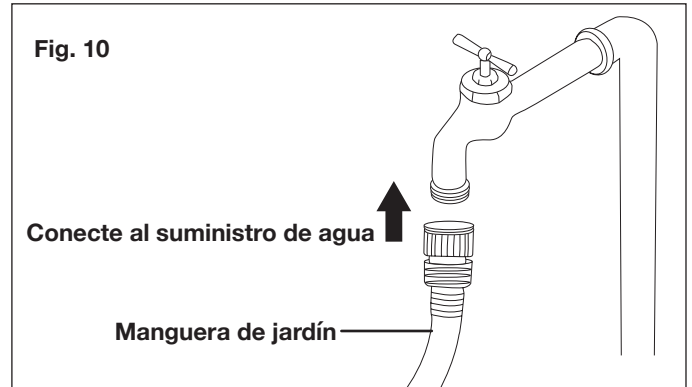
**⚠ ¡ADVERTENCIA!** Mantenga la manguera alejada de objetos afilados. Una manguera que reviente puede causar lesiones personales. Examine las mangueras regularmente y reemplácelas si están dañadas. No intente reparar una manguera dañada.

9. Conecte el adaptador de la manguera de jardín (acoplador hembra) a la entrada de agua de la hidrolavadora. Luego, enrosque la manguera de jardín (extremo macho) al adaptador de manguera de jardín (Fig. 9). La manguera de jardín deberá tener un diámetro interno de al menos 13 mm (½ plg) y deberá estar reforzada. El suministro de agua debe ser por lo menos igual a la capacidad de entrega de la hidrolavadora.

**NOTA:** la máquina no está diseñada para ser conectada a una red de suministro de agua potable.



10. Conecte la manguera de jardín al suministro de agua (Fig. 10).



**⚠ ¡ADVERTENCIA!** No la conecte a la red de agua potable.

**⚠ ¡ADVERTENCIA!** Si se hace una conexión a la red de agua potable, el sistema deberá estar protegido contra reflujo.

**⚠ ¡ADVERTENCIA!** La temperatura del agua entrante no debe exceder los 104°F (40°C). La presión del suministro de agua no debe exceder los 0.7 MPa.

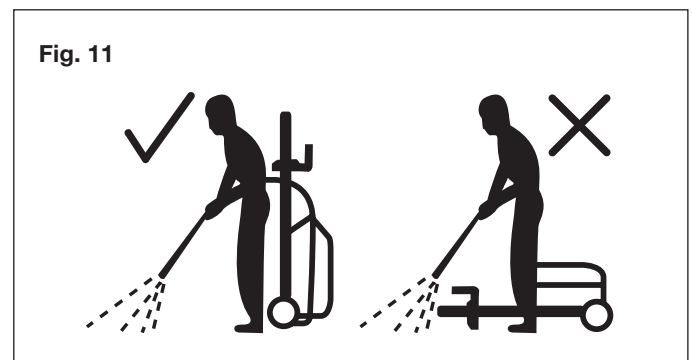
**⚠ ¡PRECAUCIÓN!** La hidrolavadora solo debe ser usada con agua limpia. El uso de agua sin filtrar, conteniendo químicos corrosivos, dañará la hidrolavadora.

## Operación

### Uso de la hidrolavadora

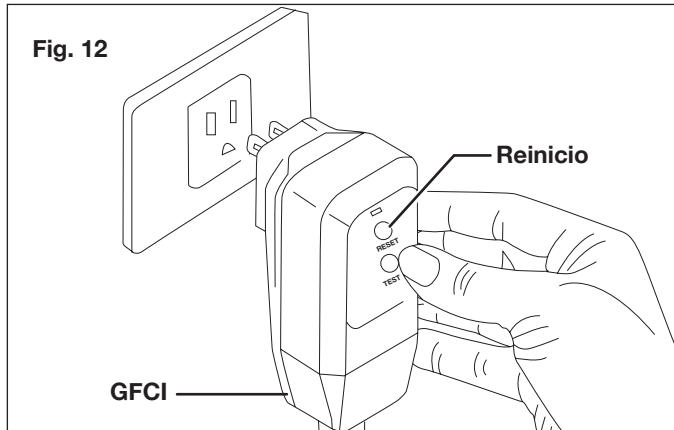
**⚠ ¡IMPORTANTE!** Esta hidrolavadora está equipada con un micro-interruptor sensible al caudal de agua. Este Sistema de Parada Total (Total Stop System o TTS) detecta el caudal de agua en la bomba. Cuando se suelta el gatillo, el agua deja de fluir a través de la bomba. El TTS entonces apaga el motor de forma automática para evitar que la bomba se sobrecaliente, ahorrando así energía y prolongando el ciclo de vida útil de la bomba.

1. Coloque la hidrolavadora TAN CERCA como sea posible de la fuente de suministro de agua.
2. La hidrolavadora debe ser usada en una superficie firme y estable, en posición vertical (Fig. 11).



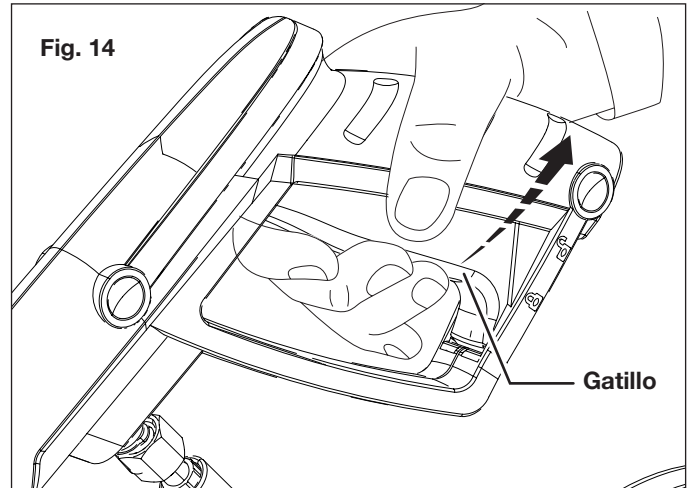
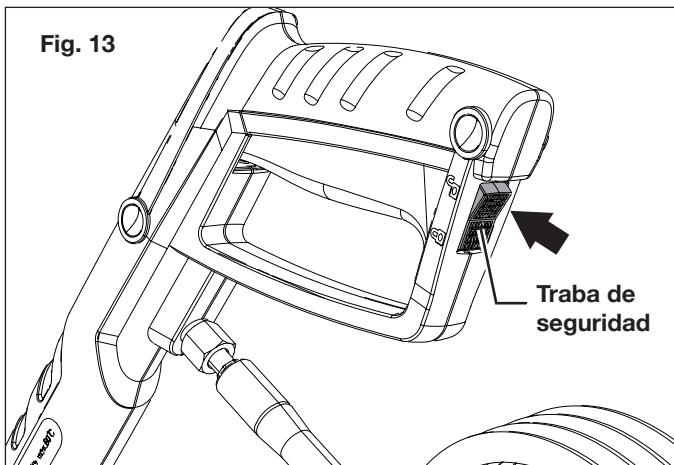


3. Asegúrese de que la unidad tenga su interruptor de encendido/apagado en la posición de apagado antes de enchufarla al tomacorriente.
4. Compruebe que el voltaje y la frecuencia (V / Hz) del suministro de energía correspondan a aquellos indicados en la placa de especificaciones. Si la fuente de alimentación es la correcta, usted puede conectar la hidrolavadora al tomacorriente (Fig. 12).

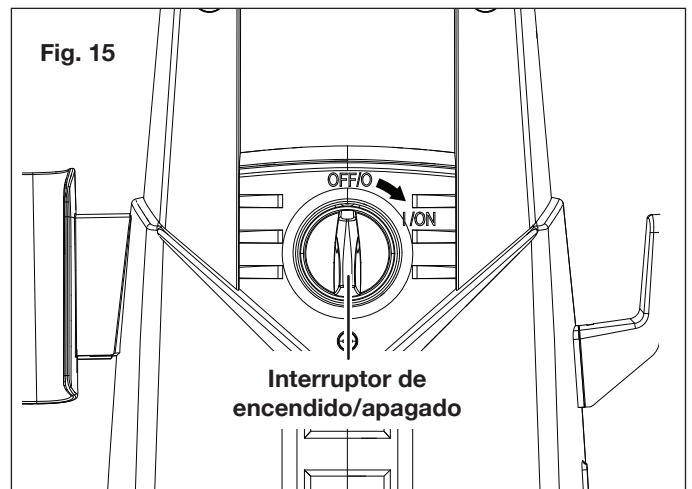


**NOTA:** es posible que el GFCI tenga que reiniciarse al enchufarlo por primera vez al tomacorriente. Presione el botón de reinicio hasta que la luz indicadora de alimentación del GFCI se prenda cuando sea enchufado.

5. Abra por completo la llave de agua.
6. Desactive la traba de seguridad, luego apriete el gatillo por unos segundos hasta que el flujo de agua sea estable. Operar la hidrolavadora de esta forma permitirá que el aire escape y se descargue la presión residual en la manguera (Figs. 13 y 14).



7. Mueva el interruptor de encendido/apagado a la posición de encendido "I/ON" para encender la hidrolavadora (Fig. 15).



8. Al volver a encender el motor, mantenga siempre el gatillo apretado.

**NOTA:** el motor solo funciona cuando el gatillo es apretado, y se apaga cuando el gatillo es soltado.

## Uso de boquillas

Antes de comenzar cualquier tarea de limpieza, determine la mejor boquilla para la tarea. Cada una de las boquillas tiene un patrón de rociado diferente. Los patrones de boquilla son: 40° (para una limpieza delicada), 15° (para trabajos difíciles) y 0° (para limpieza puntual o áreas difíciles de alcanzar).

**⚠ ¡PRECAUCIÓN! NUNCA** cambie boquillas sin antes activar la traba de seguridad en el gatillo del mango.

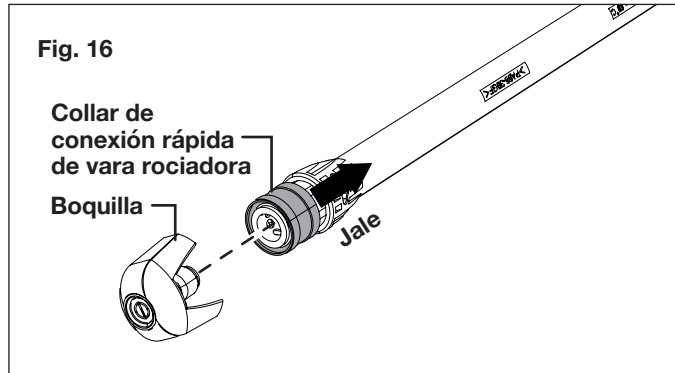
**⚠ ¡ADVERTENCIA!** Los chorros de alta presión pueden ser peligrosos si se manipulan incorrectamente. El chorro no deberá estar dirigido a personas, mascotas, equipos eléctricos activos ni al artefacto en sí.



Esta hidrolavadora está equipada con cinco (3) boquillas de conexión rápida que se ajustan fácilmente al collar de conexión rápida de la vara rociadora.

Para conectar una boquilla a la vara rociadora:

1. Apague la hidrolavadora y cierre el suministro de agua. Apriete el gatillo para liberar la presión de agua.
2. Active la traba de seguridad en el mango del gatillo.
3. Jale el collar de conexión rápida de latón e inserte la boquilla deseada en el collar. Suelte el collar y la boquilla se instalará haciendo "clic" en su lugar (Fig. 16).



Para desconectar una boquilla de la vara rociadora una vez que el trabajo de limpieza haya finalizado:

1. Apague la hidrolavadora y cierre el suministro de agua. Apriete el gatillo para liberar la presión de agua.
2. Active la traba de seguridad en el mango del gatillo.
3. Retire la boquilla desconectándola mientras jala hacia atrás el collar de conexión rápida de latón.

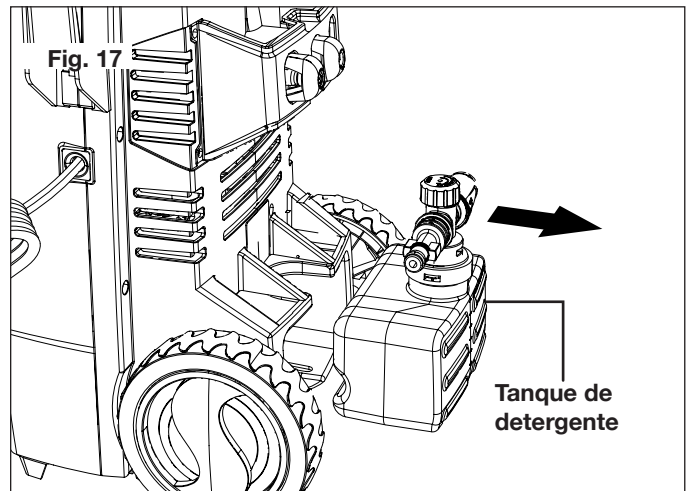
**⚠ ¡ADVERTENCIA!** No ajuste la boquilla mientras el gatillo esté apretado. Si lo hace, la hidrolavadora se puede dañar o usted se puede lesionar.

## Al usar detergentes

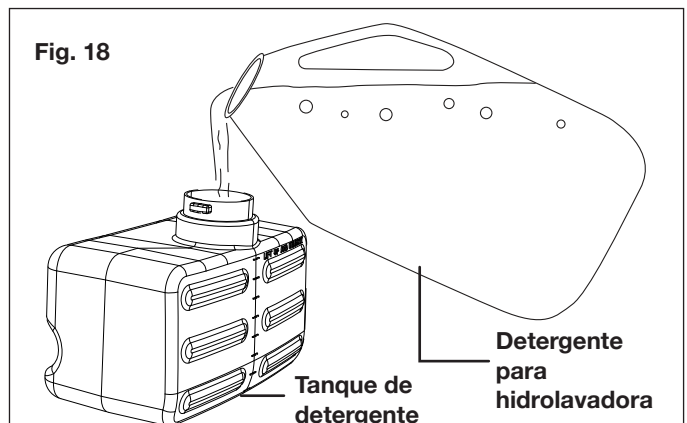
Al limpiar con la hidrolavadora, algunas tareas de limpieza pueden ser hechas solo usando agua, pero para la mayoría de las tareas limpiar con detergente permite retirar la suciedad de una forma más efectiva.

**⚠ ¡ADVERTENCIA!** Use solo detergentes específicamente formulados para hidrolavadoras tales como el limpiador concentrado de casas y terrazas Sun Joe® (SPX-HDC1G), el detergente y limpiador en espuma Premium de autos Sun Joe® (SPX-FCS1G), o el limpiador y desengrasador multipropósito de alto rendimiento Sun Joe® (SPX-APC1G). **NO USE** detergentes caseros, ácidos, soluciones alcalinas, lejía, solventes, materiales inflamables o soluciones de grado industrial. Estos pueden dañar la hidrolavadora. Muchos detergentes pueden requerir ser mezclados antes de su uso. Prepare la solución de limpieza tal como se indica en la botella de la solución.

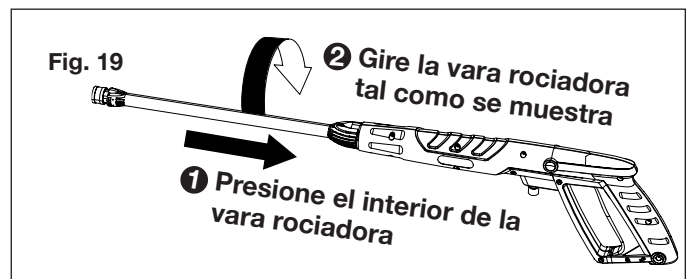
1. Saque cuidadosamente el tanque de detergente fuera de su posición de almacenamiento (Fig. 17).



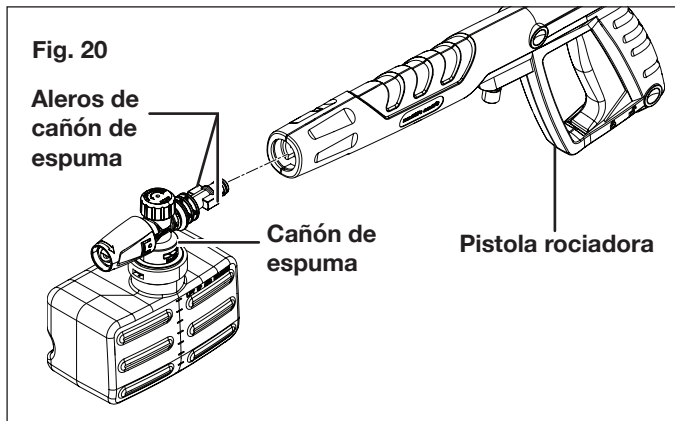
2. Retire la tapa. Llene el tanque o mezcle según lo recomendado por las instrucciones del detergente (Fig. 18), y vuélvala a colocar en la unidad. Vuelva a colocar de forma segura la tapa en su lugar.



3. Desconecte la vara rociadora de la pistola presionando contra ésta y girándola en sentido horario hasta que los dos aleros de la vara rociadora puedan ser retirados de la ranura (Fig. 19).

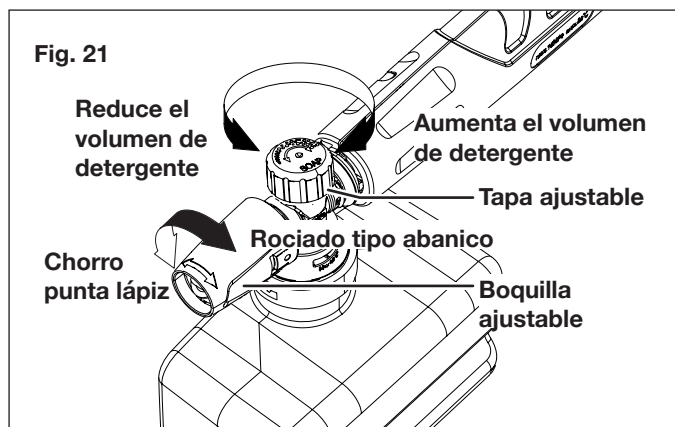


4. Para conectar el cañón de espuma a la pistola, presione los aleros del cañón contra la ranura de la pistola, y luego gire en sentido antihorario hasta que las dos partes se hayan trabado por completo (Fig. 20).



5. Encienda la hidrolavadora. Apriete el gatillo para operar la unidad. El líquido detergente se mezclará automáticamente con el agua y será descargado a través de la boquilla.

**NOTA:** el ángulo de rociado puede ser ajustado de 0° a 45° rotando la boquilla del cañón de espuma. El volumen de espuma puede ser modificado por la tapa ajustable, tal como se indica a continuación (Fig. 21).



**¡ADVERTENCIA!** No ajuste el cañón de espuma mientras el gatillo esté siendo apretado, ya que esto puede causar graves daños.

**¡PRECAUCIÓN!** Pruebe siempre el detergente en un área no visible antes de usarlo.

6. Aplique el detergente desde abajo hacia arriba en la superficie seca a ser limpiada.

**NOTA:** no se recomienda mojar la superficie primero ya que esto diluye el detergente, reduciendo su capacidad limpiadora.

7. Permita siempre que el detergente permanezca en la superficie por un corto tiempo antes de enjuagarlo. No permita que el detergente se seque en la superficie.

**¡PRECAUCIÓN!** Las superficies pintadas se pueden dañar si el detergente se deja secar sobre estas. Lave y enjuague un área pequeña por vez. Evite trabajar en superficies calientes o bajo la luz directa del sol.

8. Cuando acabe de usar la hidrolavadora, usted debe primero drenar y enjuagar el tanque del cañón de espuma. Haga funcionar la hidrolavadora hasta que todo el detergente sea drenado del tanque de detergente.

**¡PRECAUCIÓN!** No seguir estas instrucciones de limpieza causará que el sistema de inyección se obstruya y se vuelva inoperable.

**¡IMPORTANTE! NUNCA USE:**

- Lejía, productos con cloro y otros químicos corrosivos;
- Líquidos que contengan solventes (p. ej., diluyentes de pintura, gasolina o grasa)
- Productos de fosfato trisódico;
- Productos con amoníaco; o
- Productos a base de ácidos.

Estos químicos dañarán la unidad y la superficie que está siendo limpiada.

## Apagado

1. Mueva el interruptor a la posición de apagado "O/OFF" y desenchufe el cable de alimentación del tomacorriente.
2. Cierre la llave de suministro de agua.
3. Apriete el gatillo para liberar la presión de agua.
4. Desconecte la manguera de jardín de la entrada de agua en la unidad.
5. Desconecte la manguera de alta presión del mango de la pistola.
6. Suelte el gatillo y active la traba de seguridad de la pistola.

**¡ADVERTENCIA!** Cierre la llave de suministro de agua y apriete el gatillo para despresurizar la unidad. No hacerlo puede resultar en lesiones personales debido a la descarga de agua a alta presión.

## Cuando se detenga a descansar

Si usted se va a tomar un descanso de cinco minutos o más entre trabajos de limpieza:

1. Active la traba de seguridad de la pistola en la parte trasera.
2. Mueva el interruptor a la posición de apagado (O/OFF).
3. Desenchufe el cable de alimentación del tomacorriente.

## Almacenamiento

**⚠ ¡PRECAUCIÓN!** Guarde siempre su hidrolavadora en un lugar donde la temperatura no descienda a menos de 32°F (0°C). La bomba de esta máquina es susceptible a un daño permanente si se congela. **EL DAÑO POR CONGELACIÓN NO ESTÁ CUBIERTO POR LA GARANTÍA.**

- Guarde la hidrolavadora en interiores, en un lugar seco y cubierto, donde el clima no pueda dañarla.
- Es importante guardar este producto en un área sin riesgo de congelación.
- Vacíe siempre el agua de las mangueras, la bomba y el cañón de espuma (de estar usándolo) antes de guardar la hidrolavadora.

**⚠ ¡PRECAUCIÓN!** Se recomienda el uso de un protector de bomba para evitar daños por congelación durante el almacenamiento en los meses de invierno.

## Almacenamiento: invierno y a largo plazo

Si usted debe guardar su hidrolavadora en un lugar donde la temperatura sea menor de 32°F (0°C), usted puede minimizar el riesgo de daños a su máquina utilizando el siguiente procedimiento:

- Desconecte todas las conexiones de agua.
- Encienda la hidrolavadora por algunos segundos hasta que salga toda el agua restante de la bomba. Apáguela inmediatamente.
- No permita que la manguera de alta presión se retuerza o pliegue.
- Guarde la máquina y los accesorios en una habitación cuya temperatura no descienda al punto de congelación.
- No guarde la unidad cerca de hornos u otras fuentes de calor, ya que los sellos de la bomba se pueden secar.
- Opere la hidrolavadora con anticongelante no corrosivo/ no tóxico, un rescatador o un protector de bomba antes de guardarla durante el invierno.

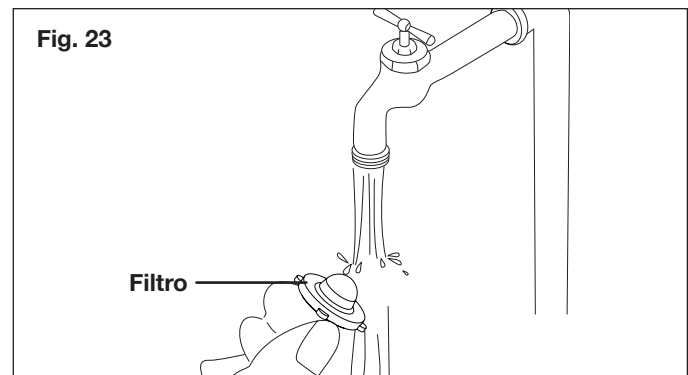
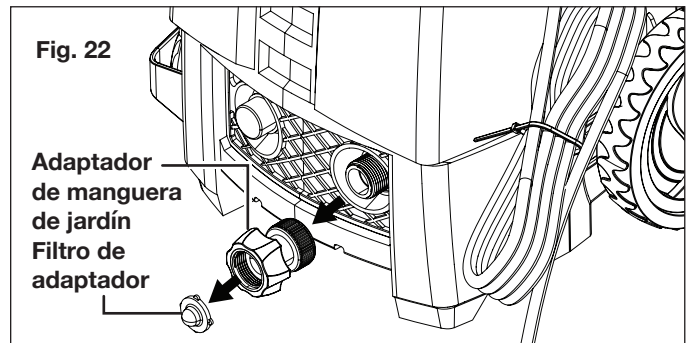
**⚠ ¡ADVERTENCIA!** Antes de volverla a usar, enjuáguela por completo con agua limpia. El anti-congelante puede dañar la pintura de las superficies así que usted debe asegurarse de que no haya anticongelante en el sistema antes de volver a usar la máquina.

## Mantenimiento

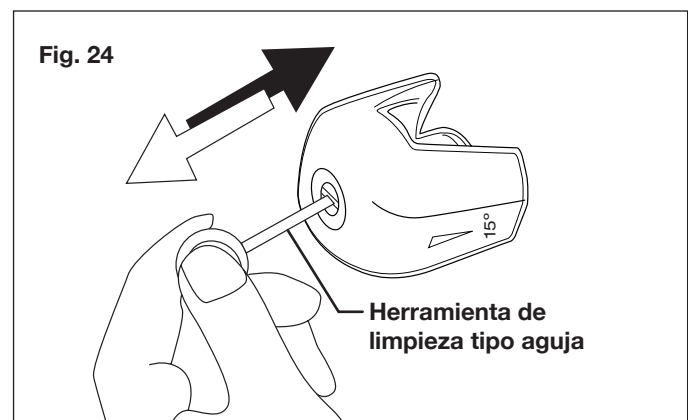
**⚠ ¡PRECAUCIÓN!** Antes de realizar cualquier trabajo de mantenimiento en la hidrolavadora, **desconecte el enchufe del tomacorriente.**

## Limpieza del filtro de adaptador y la boquilla

1. Para asegurar un buen rendimiento, verifique y limpie el filtro de adaptador (Fig. 22). Retire el filtro y enjuáguelo con agua tibia para evitar que cualquier material extraño obstruya la bomba (Fig. 23).



2. Limpie la boquilla con la herramienta de limpieza tipo aguja suministrada (Fig. 24). Desconecte la boquilla de la vara rociadora; retire cualquier suciedad del agujero de la boquilla y enjuague la boquilla.



# Eliminación

## Reciclado de la hidrolavadora

- No se deshaga de artefactos eléctricos como si fueran residuos urbanos sin clasificar. Use instalaciones de recolección aparte.
- Contacte a su agencia gubernamental local para obtener información sobre los sistemas de recolección disponibles.
- Si los artefactos eléctricos son desechados en rellenos sanitarios o basureros, las sustancias peligrosas pueden contaminar el agua subterránea y entrar en la cadena alimentaria, dañando su salud y bienestar.

## Servicio y soporte

Si su hidrolavadora SPX2598-MAX de Sun Joe® requiere de reparación o mantenimiento, comuníquese con la central de servicio al cliente Snow Joe® + Sun Joe® llamando al 1-866-SNOWJOE (1-866-766-9563).

## Modelo y número de serie

Al contactar a la empresa, ordenar partes de repuesto o programar una reparación en un centro autorizado, usted necesitará proporcionar el modelo y número de serie, los cuales se encuentran en la etiqueta ubicada en la carcasa de la unidad. Copie estos números en el espacio proporcionado a continuación.

<b>Registre los siguientes números que se encuentran en la carcasa o mango de su nuevo producto:</b>	
Modelo:	
S   P   X   2   5   9   8   -   M   A   X	
N° de serie:	


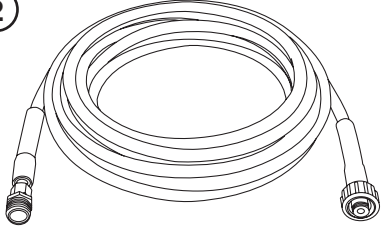
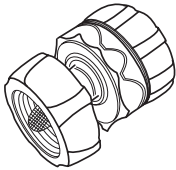
## Solución de problemas

- Desconecte la unidad de la fuente de alimentación antes de llevar a cabo tareas de mantenimiento en la máquina o comprobar que sus partes estén funcionando correctamente.
- Para evitar complicaciones innecesarias, revise la siguiente tabla antes de ponerse en contacto con la central de servicio al cliente por cualquier problema mecánico.

Problema	Causa posible	Solución posible
La máquina no enciende.	<ul style="list-style-type: none"> <li>• Falla eléctrica/unidad no enchufada en tomacorriente activo.</li> <li>• Enchufe defectuoso.</li> <li>• El fusible se fundió.</li> <li>• Cable de extensión defectuoso.</li> </ul>	<ul style="list-style-type: none"> <li>• Verifique que la unidad esté enchufada en un tomacorriente activo.</li> <li>• Inspeccione el cable de alimentación y restablezca el GFCI. Pruebe otro tomacorriente.</li> <li>• Reemplace el fusible. Apague cualquier otra máquina que esté usando el mismo circuito.</li> <li>• Pruebe operar la máquina sin usar un cable de extensión.</li> </ul>
Presión fluctuante.	<ul style="list-style-type: none"> <li>• Bomba absorbiendo aire.</li> <li>• Las válvulas están sucias, gastadas o atascadas.</li> <li>• Los sellos de la bomba están gastados.</li> </ul>	<ul style="list-style-type: none"> <li>• Verifique que las mangueras y conexiones sean herméticas.</li> <li>• Limpie o reemplace los sellos/válvulas.</li> <li>• Comuníquese con la central de servicio al cliente Snow Joe® + Sun Joe® llamando al 1-866-SNOWJOE (1-866-766-9563) para recibir asistencia.</li> </ul>
La máquina se detiene.	<ul style="list-style-type: none"> <li>• El fusible se fundió.</li> <li>• Voltaje de red incorrecto.</li> <li>• El sensor térmico está activado.</li> <li>• La boquilla está parcialmente obstruida.</li> </ul>	<ul style="list-style-type: none"> <li>• Reemplace el fusible. Apague las otras máquinas que estén usando el mismo circuito.</li> <li>• Verifique que el voltaje de la red corresponda a las especificaciones en la placa del modelo.</li> <li>• Deje que la hidrolavadora se enfríe por cinco minutos, y luego vuélvala a encender.</li> <li>• Limpie la boquilla.</li> </ul>
El fusible se fundió.	<ul style="list-style-type: none"> <li>• El fusible es muy pequeño.</li> </ul>	<ul style="list-style-type: none"> <li>• Instale un fusible con un valor nominal de amperaje mayor que el consumido por la máquina. Pruebe operar la máquina sin usar un cable de extensión.</li> </ul>
La máquina está palpitando.	<ul style="list-style-type: none"> <li>• Aire en la manguera de entrada.</li> <li>• Suministro de red de agua inadecuado.</li> <li>• La boquilla está parcialmente obstruida.</li> <li>• El filtro de agua de entrada está obstruido.</li> <li>• La manguera está plegada o retorcida.</li> </ul>	<ul style="list-style-type: none"> <li>• Permita que la máquina funcione apretando el gatillo hasta que vuelva la presión regular de funcionamiento.</li> <li>• Verifique que la fuente de suministro de agua corresponda a las especificaciones requeridas.</li> <li>• <b>¡ADVERTENCIA!</b> Evite usar mangueras largas y delgadas (deben tener un mínimo de ½ pulgada de diámetro).</li> <li>• Limpie la boquilla.</li> <li>• Limpie el filtro de agua de entrada.</li> <li>• Enderece la manguera para retirar los pliegues u obstrucciones.</li> </ul>
La máquina generalmente se enciende y apaga por sí sola.	<ul style="list-style-type: none"> <li>• Hay fugas en la bomba o pistola rociadora.</li> <li>• El mecanismo del gatillo está descompuesto.</li> </ul>	<ul style="list-style-type: none"> <li>• Llame a la central de servicio al cliente Snow Joe® + Sun Joe® al 1-866-SNOWJOE (1-866-766-9563) para recibir asistencia.</li> </ul>
La máquina se enciende pero no sale agua.	<ul style="list-style-type: none"> <li>• La bomba, las mangueras o los accesorios están congelados.</li> <li>• No hay caudal de agua.</li> <li>• Filtro de agua de entrada obstruido.</li> <li>• Boquilla obstruida.</li> </ul>	<ul style="list-style-type: none"> <li>• Espere a que la bomba, las mangueras o los accesorios se descongelen.</li> <li>• Conecte a la entrada de agua.</li> <li>• Limpie el filtro de agua de entrada.</li> <li>• Limpie la boquilla.</li> </ul>

## Accesorios opcionales

**⚠ ¡ADVERTENCIA!** USE SIEMPRE solo partes de repuesto y accesorios Snow Joe® + Sun Joe®. NUNCA use partes de repuesto o accesorios que no hayan sido diseñados para su uso con esta hidrolavadora. Comuníquese con Snow Joe® + Sun Joe® si tiene dudas sobre si es seguro usar una parte de repuesto o accesorio en particular con su hidrolavadora. El uso de cualquier otro accesorio o parte puede ser peligroso y causar lesiones personales o daños mecánicos.

Accesorio	Descripción	Modelo
<p>1</p> 	<p>Limpiador concentrado multi-propósito de casas y terrazas para hidrolavadoras Sun Joe®</p> <p>Detergente y limpiador en espuma Premium de autos para hidrolavadoras Sun Joe®</p> <p>Limpiador y desengrasador multipropósito de alto rendimiento para hidrolavadoras Sun Joe®</p>	<p>SPX-HDC1G</p> <p>SPX-FCS1G</p> <p>SPX-APC1G</p>
<p>2</p> 	<p>Manguera de extensión de 25 pies para trabajos moderados de hidrolavadoras de la serie SPX</p>	<p>SPX-25H</p>
<p>3</p> 	<p>Acoplador universal de conexión rápida y latón macizo (adaptador de manguera de jardín a hidrolavadora)</p>	<p>SPX-UQC</p>

¡La línea completa de hidrolavadoras y accesorios de alta calidad de Sun Joe le facilita sus trabajos sucios y difíciles, optimizando al máximo su modelo!

**COMPRE EN LÍNEA AHORA visitando [sunjoe.com](http://sunjoe.com)**

**NOTA:** los accesorios están sujetos a cambios sin obligación alguna por parte de Snow Joe® + Sun Joe® de notificar sobre dichos cambios. Los accesorios pueden ser pedidos en línea en [sunjoe.com](http://sunjoe.com) o vía telefónica llamando a la central de servicio al cliente Snow Joe® + Sun Joe® al 1-866-SNOWJOE (1-866-766-9563).





## LA PROMESA DE SNOW JOE® + SUN JOE® AL CLIENTE

**POR SOBRE TODO**, en Snow Joe, LLC (“Snow Joe”) estamos dedicados a usted, nuestro cliente. Nos esforzamos por hacer que su experiencia sea lo más placentera posible. Desafortunadamente, hay veces en que un producto Snow Joe®, Sun Joe®, o Aqua Joe® (el “Producto”) no funciona o sufre un desperfecto bajo condiciones normales de operación. Creemos que es importante que usted sepa que puede confiar en nosotros. Es por eso que tenemos esta Garantía Limitada (la “Garantía”) para nuestros Productos.

### **NUESTRA GARANTÍA:**

Snow Joe garantiza que sus Productos motorizados y no motorizados, nuevos y genuinos, están libres de defectos materiales o de mano de obra al ser usados en tareas domésticas normales durante un periodo de dos (2) años a partir de la fecha de compra por parte del comprador original y usuario final, cuando este último los compra a través de Snow Joe o un vendedor autorizado por Snow Joe y ha obtenido un comprobante de compra. Ya que Snow Joe no puede controlar la calidad de sus Productos vendidos por vendedores no autorizados, a menos que la ley lo prohíba esta Garantía no cubre Productos adquiridos a través de vendedores no autorizados. Si su Producto no funciona, o hay un problema con una parte específica que está cubierta por los términos de esta Garantía, Snow Joe elegirá entre: (1) enviarle una parte de repuesto gratuita; (2) reemplazar el Producto con uno nuevo o similar sin costo alguno; o (3) reparar el Producto. ¡Un excelente soporte!

**Esta Garantía le da derechos legales específicos, y usted puede también tener otros derechos según el Estado.**

### **REGISTRO DEL PRODUCTO:**

Snow Joe le recomienda enfáticamente registrar su Producto. Usted puede registrar su Producto en línea visitando [snowjoe.com/register](http://snowjoe.com/register), imprimiendo y enviando por correo una tarjeta de registro disponible en línea en nuestro sitio Web, llamando a nuestra central de servicio al cliente al **1-866-SNOWJOE (1-866-766-9563)**, o enviándonos un e-mail a [help@snowjoe.com](mailto:help@snowjoe.com). Si usted no registra su Producto sus derechos de garantía no disminuirán; sin embargo, registrar su Producto permitirá que Snow Joe le pueda atender mejor si usted tiene alguna necesidad como cliente.

### **¿QUIÉN PUEDE SOLICITAR COBERTURA DE GARANTÍA LIMITADA?**

Esta Garantía es otorgada por Snow Joe al comprador original y propietario original del Producto.

### **¿QUÉ NO ESTÁ CUBIERTO?**

Esta Garantía no se aplica si el Producto ha sido usado de forma comercial o en aplicaciones no domésticas o de alquiler. Esta Garantía tampoco se aplica si el Producto fue adquirido desde un vendedor no autorizado. Esta garantía tampoco cubre cambios cosméticos que no afecten el funcionamiento del Producto. Las partes desgastables como correas, brocas y cuchillas no están cubiertas por esta Garantía, y pueden ser compradas visitando [snowjoe.com](http://snowjoe.com) o llamando al **1-866-SNOWJOE (1-866-766-9563)**.



## 13 A NETTOYEUR ÉLECTRIQUE HAUTE PRESSION

**2 000 PSI MAX.** LORS DU REFOULEMENT INITIAL, SELON LES ESSAIS DE PRESSION INTERNE DE LA CSA  
**6,1 l/min MAX.** LA BUSE ÉTANT OUVERTE À PRESSION MINIMALE

Une division de Snow Joe®, LLC

**Modèle SPX2598-MAX**

Formulaire n° SJ-SPX2598-MAX-880F-MR3

### IMPORTANT!

#### Consignes de sécurité

#### Tous les utilisateurs doivent lire ces instructions avant d'utiliser la machine

**⚠️ AVERTISSEMENT!** Ceci indique une situation dangereuse qui, en l'absence de précautions, pourrait entraîner des blessures graves ou même fatales.

**⚠️ MISE EN GARDE!** Ceci indique une situation dangereuse qui, en l'absence de précautions, pourrait entraîner des blessures mineures ou modérément graves.

**⚠️ DANGER!** Ceci indique une situation dangereuse qui, en l'absence de précautions, entraînera des blessures graves ou même fatales.

#### Sécurité générale

**⚠️ AVERTISSEMENT!** Cette machine n'est pas destinée à être utilisée par des enfants ou par des personnes qui ne sont ni assistées ni supervisées et dont les capacités physiques, sensorielles ou mentales les empêchent de l'utiliser sans danger. Les enfants doivent toujours être supervisés pour s'assurer qu'ils ne jouent pas avec la machine.

Avant de démarrer votre machine, veuillez l'inspecter soigneusement pour vérifier si elle présente d'éventuels défauts. En cas de constatation d'un défaut, ne démarrez pas la machine. Communiquez avec un revendeur Snow Joe® + Sun Joe® agréé ou appelez le service clientèle Snow Joe® + Sun Joe® au 1-866-SNOWJOE (1-866-766-9563).

**⚠️ AVERTISSEMENT!** Lors de l'utilisation du nettoyeur haute pression, les précautions de sécurité élémentaires doivent toujours être suivies afin de réduire le risque d'incendie, de secousse électrique ou de dommages corporels. Il s'agit des précautions suivantes :

- **Apprendre à bien connaître la machine** – Sachez comment arrêter la machine et comment relâcher rapidement la pression. Familiarisez-vous complètement avec les commandes.
- **Maintenir les spectateurs à bonne distance** – Tous les visiteurs et les animaux familiers doivent être maintenus à bonne distance de la zone de travail.

- **Utiliser la bonne machine** – N'utilisez pas cette machine pour des travaux différents de ceux auxquels elle est destinée.
- **S'habiller en conséquence** – Ne portez ni vêtements amples ni bijoux. Ils peuvent être happés par les pièces mobiles. Pour tout travail à l'extérieur, il est recommandé de porter des gants de protection en caoutchouc et des chaussures antidérapantes.
- **MISE EN GARDE!** – Faire très attention pour éviter de glisser ou de tomber. Porter des chaussures de protection pour se protéger les pieds et avoir une meilleure prise sur les revêtements glissants.
- **Rester vigilant** – Surveillez ce que vous faites. Faites preuve de bon sens. N'utilisez pas le nettoyeur haute pression si vous êtes fatigué ou si vous avez consommé de l'alcool ou de la drogue.
- **Ne pas s'arc-bouter** – Restez en permanence sur les deux pieds pour ne pas perdre l'équilibre.
- **Prévenir les démarrages accidentels** – Ne transportez pas la machine branchée en ayant le doigt sur la gâchette. Avant de brancher la machine, assurez-vous que l'interrupteur est à la position d'arrêt.
- **Ne pas malmener le cordon** – Ne tirez jamais la machine par le cordon et ne tirez pas brusquement sur le cordon pour le retirer de la prise. Maintenez le cordon éloigné de la chaleur, de l'huile et des arêtes tranchantes.
- **Porter des lunettes de sécurité** – Portez également des chaussures de protection, des vêtements serrés près du corps, des gants de protection, des protecteurs d'oreille et une protection de la tête.
- **Vérifier la température de l'eau** – Ce nettoyeur haute pression n'est pas destiné à pomper de l'eau chaude. **NE JAMAIS** raccorder le nettoyeur haute pression à un réseau d'alimentation en eau chaude, car cela réduirait considérablement la durée de vie de la pompe.
- **Remiser la machine à l'intérieur** – **NE JAMAIS** remiser le nettoyeur haute pression à l'extérieur où dans un endroit où il pourrait geler. La pompe pourrait être gravement endommagée.
- **Disjoncteur différentiel de fuite de terre (DDFT)** – Cette machine est fournie avec un disjoncteur différentiel de fuite de terre intégré dans la fiche du cordon d'alimentation. Si la fiche ou le cordon nécessitent d'être remplacés, utilisez uniquement des pièces de rechange identiques.
- **Inspecter les cordons électriques** – L'isolation du cordon d'alimentation doit être parfaitement intacte. Si le cordon d'alimentation est endommagé ou présente des signes d'usure normale, n'utilisez pas le nettoyeur haute pression.

Communiquez avec un revendeur Snow Joe® + Sun Joe® agréé ou appelez le service clientèle Snow Joe® + Sun Joe® au 1-866-SNOWJOE (1-866-766-9563).

**⚠️ AVERTISSEMENT!** Ne pas utiliser la machine sans lire les instructions de ce manuel.

**⚠️ AVERTISSEMENT!** Cette machine a été conçue pour être utilisée avec les agents de nettoyage qui sont recommandés par le fabricant. L'utilisation d'autres agents de nettoyage ou produits chimiques peut nuire à la sécurité de la machine.

**⚠️ AVERTISSEMENT!** Ne pas utiliser la machine près d'autres personnes se trouvant dans son rayon d'action, à moins qu'elles portent des vêtements de protection.

**⚠️ AVERTISSEMENT!** Les jets à haute pression peuvent être dangereux s'ils ne sont pas utilisés à bon escient. Ne pas diriger le jet vers une personne, un animal familier, du matériel électrique ou la machine elle-même.

- Pour nettoyer des vêtements ou des chaussures, ne dirigez pas le jet contre vous-même ou une autre personne.
- **Risque d'explosion** – Ne pulvérisez pas de liquides inflammables.
- **Débrancher la machine** – Avant d'effectuer la moindre tâche d'entretien, débranchez le cordon d'alimentation.
- **Maintenir les enfants à bonne distance** – Ce nettoyeur haute pression électrique ne doit pas être utilisé par des enfants ou des personnes inexpérimentées.
- Pour assurer la sécurité de la machine, utilisez uniquement des pièces de rechange d'origine du fabricant ou homologuées par le fabricant.

**⚠️ AVERTISSEMENT!** L'eau qui a traversé les dispositifs anti-siphonnement est considérée comme non potable.

**⚠️ AVERTISSEMENT!** Pendant son nettoyage, son entretien ou lors du remplacement de pièces, la machine doit être débranchée de sa source d'alimentation électrique en retirant la fiche de la prise de courant.

**⚠️ AVERTISSEMENT!** Les flexibles haute pression, raccords et coupleurs sont importants pour l'utilisation sans danger de la machine. Utiliser uniquement les flexibles, raccords et coupleurs recommandés par le fabricant.

- **Vérifier s'il y a des pièces endommagées** – N'utilisez pas la machine si le cordon d'alimentation ou d'autres pièces importantes de la machine sont endommagés (p. ex., les dispositifs de sécurité, le flexible haute pression, le pistolet).

**⚠️ AVERTISSEMENT!** Dans le cas où une rallonge électrique est utilisée, la fiche et la prise doivent être étanches.

**⚠️ AVERTISSEMENT!** Les rallonges électriques inadéquates peuvent être dangereuses.

- Ce nettoyeur haute pression électrique ne doit pas être utilisé à des températures inférieures à 0 °C.

**⚠️ AVERTISSEMENT!** Les cordons d'alimentation doivent toujours être complètement déroulés pour les empêcher de surchauffer.

- Les branchements de cordon d'alimentation doivent toujours être maintenus au sec et jamais sur le sol.
- Si le cordon est endommagé, n'utilisez pas la machine. Communiquez avec un revendeur Snow Joe® + Sun Joe® agréé ou appelez le service clientèle Snow Joe® + Sun Joe® au 1-866-SNOWJOE (1-866-766-9563).
- Pendant son utilisation, sa manutention, son transport ou son remisage, maintenez la machine sur une surface plane et stable. Le renversement soudain de la machine peut être à l'origine de blessures corporelles.
- En cas d'accident ou de panne, arrêtez immédiatement la machine (en cas de contact avec un détergent, rincez abondamment à l'eau propre).

## Sécurité électrique

**ATTENTION :** si des problèmes affectent le réseau électrique, une brève chute de tension peut se produire au démarrage de la machine. Ceci peut alors avoir des répercussions sur d'autres appareils (p. ex., faire vaciller une lampe). Si l'IMPÉDANCE MAXIMALE DU COURANT DU SECTEUR ( $Z_{max}$ ) est inférieure à 0,335 ohm, il ne faut pas s'attendre à de telles perturbations (si vous avez besoin d'assistance, communiquez avec votre distributeur d'électricité local pour plus de renseignements).

**⚠️ AVERTISSEMENT! Risque de secousse électrique** – Avant de démarrer la machine, l'inspecter soigneusement pour vérifier si elle présente d'éventuels défauts. En cas de constatation d'un défaut, ne pas démarrer la machine et communiquer avec le distributeur.

Les points suivants doivent être observés lors du branchement du nettoyeur haute pression électrique sur la source d'alimentation électrique :


- Le raccordement électrique au réseau doit être effectué par une personne qualifiée.
- L'alimentation électrique de cette machine doit être protégée par un dispositif différentiel à courant résiduel (DDR) qui coupera le courant si la fuite à la terre du courant est supérieure à 30 mA pendant 30 ms, ou par un dispositif qui interrompra le courant à la terre (DDFT).

**IMPORTANT :** utilisez uniquement de l'eau sans la moindre impureté.

Si du sable risque de pénétrer dans l'orifice de remplissage d'eau (p. ex., en provenance de votre puits), un filtre supplémentaire doit être monté.

## Dispositifs de sécurité

Le pistolet de nettoyage présente un dispositif de verrouillage. Lorsque le verrouillage est activé, le pistolet de nettoyage ne peut pas fonctionner.

- 1. Capteur thermique** – Un capteur thermique protège le moteur contre les surcharges. Si le capteur thermique est activé et si le moteur s'arrête, patientez un instant jusqu'à ce que le moteur se refroidisse et redémarre.
- 2. Double isolation** – Les outils ou machines à double isolation sont dotés de deux systèmes d'isolation au lieu d'une mise à la terre. Aucune mise à la terre n'est prévue sur les outils ou machines à double isolation et aucune mise à la terre ne doit être ajoutée. Toute intervention sur un outil ou une machine à double isolation exige une attention extrême et une parfaite connaissance du système et doit être effectuée uniquement par du personnel technique qualifié chez un revendeur Snow Joe® + Sun Joe® agréé. Les pièces de rechange pour un outil ou une machine à double isolation doivent être identiques aux pièces d'origine. Les indications « Double Insulation » (Double isolation) ou « Double Insulated » (Doublement isolé) sont marquées sur tous les outils ou machines à double isolation. Le symbole  (carré dans un carré) peut être également marqué sur l'outil ou la machine.
- 3. Protection par disjoncteur différentiel de fuite de terre (DDFT)** – Cette machine est fournie avec un disjoncteur différentiel de fuite de terre (DDFT) intégré dans la fiche du cordon d'alimentation. Ce dispositif fournit une protection supplémentaire contre le risque de secousse électrique. Si la fiche ou le cordon nécessitent d'être remplacés, utilisez uniquement des pièces de rechange identiques qui sont protégées par un DDFT.
- 4.** Il n'est pas recommandé d'utiliser une rallonge électrique avec ce nettoyeur haute pression. La machine est fournie avec un cordon d'alimentation de 10,7 m doté d'un DDFT. L'utilisation d'une rallonge peut provoquer une chute de tension dans les lignes, ce qui entraînera une perte de puissance et une surchauffe.

Au cas où une rallonge électrique est nécessaire, utilisez uniquement une rallonge électrique conçue pour l'extérieur. Les rallonges électriques de ce type sont marquées « Acceptable pour une utilisation avec un appareil d'extérieur; ranger à l'intérieur en cas de non-utilisation ». Utilisez uniquement une rallonge électrique dont les valeurs des caractéristiques électriques ne sont pas inférieures à celles de la machine. N'utilisez pas de rallonges électriques endommagées. Avant utilisation, examinez la rallonge électrique et remplacez-la si elle est endommagée. Ne malmenez pas la rallonge électrique et ne tirez pas brusquement sur un cordon pour le débrancher. Maintenez le cordon éloigné de toute source de chaleur et des arêtes tranchantes. Avant de débrancher la machine de la rallonge électrique, débranchez toujours la rallonge électrique de la prise.

- 5.** Pour réduire le risque de secousse électrique, cette machine est équipée d'une fiche polarisée (une lame est plus large que l'autre). Cette fiche ne s'insère dans une prise polarisée que d'une seule façon.

Si la fiche ne rentre pas complètement dans la prise, inversez-la. Si la fiche ne s'insère toujours pas, vérifiez que vous utilisez la prise murale polarisée appropriée. Si la fiche ne s'insère toujours pas, communiquez avec un électricien qualifié pour qu'il pose une prise adéquate. N'apportez aucune modification, quelle qu'elle soit, à la fiche du cordon d'alimentation de la machine ou au cordon d'alimentation lui-même.



### AVERTISSEMENT



**Toute secousse électrique peut entraîner des BLESSURES GRAVES pouvant même être FATALES. Tenir compte de ces avertissements :**

- Ne laisser aucune pièce du nettoyeur haute pression électrique entrer en contact avec de l'eau pendant son utilisation. Si la machine se mouille lorsqu'elle est à l'arrêt, l'essuyer avant de la redémarrer.
- Ne pas utiliser une rallonge électrique de plus de 7,6 m de longueur. Le nettoyeur haute pression est équipé d'un cordon d'alimentation de 10,7 m. La longueur totale du cordon et de la rallonge ne doit pas être supérieure à 18,3 m. Pour alimenter sans danger le nettoyeur haute pression, toute rallonge doit être de calibre 14 (ou plus gros).
- Ne pas toucher la machine ou sa fiche les mains mouillées ou les pieds dans l'eau. Le port de bottes de caoutchouc offre une certaine protection.

#### TABLEAU DES CARACTÉRISTIQUES DES RALLONGES ÉLECTRIQUES

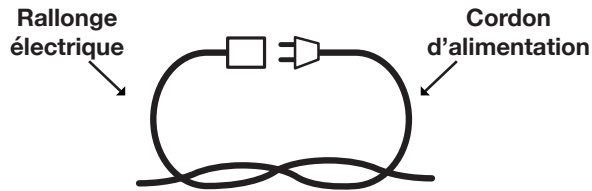
Longueur du cordon	7,6 m
Calibre min. de fil (AWG)	14



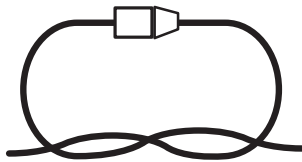
**AVERTISSEMENT!** Pour réduire le risque de secousse électrique, maintenir tous les branchements au sec et jamais sur le sol. Ne pas toucher la fiche les mains mouillées.

- 6.** Pour empêcher que le cordon de la machine se débranche de la rallonge électrique pendant son utilisation, faites un nœud avec les deux cordons comme l'indique l'illustration du Tableau 1.

Tableau 1. Méthode d'attache de rallonge électrique



(A) Nouer les cordons comme sur l'illustration



(B) Brancher la fiche dans la prise

7. Ne malmenez pas le cordon. Ne tirez jamais le nettoyeur haute pression par le cordon et ne tirez pas brusquement sur le cordon pour le retirer de la prise. Maintenez le cordon éloigné de la chaleur, de l'huile et des arêtes tranchantes.

## Risque d'électrocution

- Avant de l'utiliser, inspectez le cordon.
- N'utilisez pas le cordon s'il est endommagé.
- Maintenez tous les branchements au sec et jamais sur le sol.
- Ne touchez pas la fiche électrique les mains mouillées.
- Maintenez le cordon éloigné de toute source de chaleur et des arêtes tranchantes.
- Ne dirigez pas le jet vers des appareils ou des câbles électriques.

## Risque d'explosion

- Ne dirigez pas le jet vers des liquides inflammables.
- N'utilisez pas d'acides, de bases, de solvants ou de matières inflammables dans cette machine. Ces substances peuvent blesser l'utilisateur et endommager irrémédiablement la machine.

## Consignes de sécurité supplémentaires

- Haute pression : restez éloigné de la buse.
- Risque d'injection : la machine peut être à l'origine de graves blessures si le jet pénètre dans la peau.
- Ne pointez pas le pistolet vers une personne ou une partie quelconque du corps.
- En cas de pénétration dans la peau, consultez immédiatement un médecin.
- Avant d'intervenir sur la machine, de la nettoyer ou de déposer des pièces, arrêtez-la et relâchez la pression.
- Cette machine n'est pas adaptée pour se raccorder au réseau d'eau potable.

## Description de la machine

### Finalité

- Ce nettoyeur haute pression électrique est destiné uniquement à un usage résidentiel. Il est conçu pour des travaux de nettoyage modérément intensifs à intensifs sur les bateaux, les motos, les VR, les VTT, les remorques, les terrasses, les barbecues, les parements, les meubles de patio, etc.

### Conditions d'utilisation

- N'utiliser sous aucun prétexte la machine dans les endroits où des explosions peuvent se produire!
- La température de service doit être comprise entre 0 °C et 40 °C.
- La machine se compose d'un ensemble à pompe qui est enfermé dans un boîtier amortisseur. Pour pouvoir utiliser la machine dans les meilleures conditions possible, celle-ci est équipée d'une lance d'arrosage à manche antidérapant dont la forme et la configuration sont conformes aux réglementations en vigueur.
- Ne couvrez ni la lance d'arrosage ni la buse de pulvérisation et n'y apportez aucune modification, quelle qu'elle soit.
- Le nettoyeur haute pression électrique est conçu pour être utilisé avec de l'eau froide ou tiède, l'eau à des températures plus élevées pouvant endommager la pompe.
- N'utilisez pas d'eau sale contenant des graviers ou des produits chimiques, car des impuretés de ce type pourraient perturber le fonctionnement de la machine et abrégé sa durée de vie.



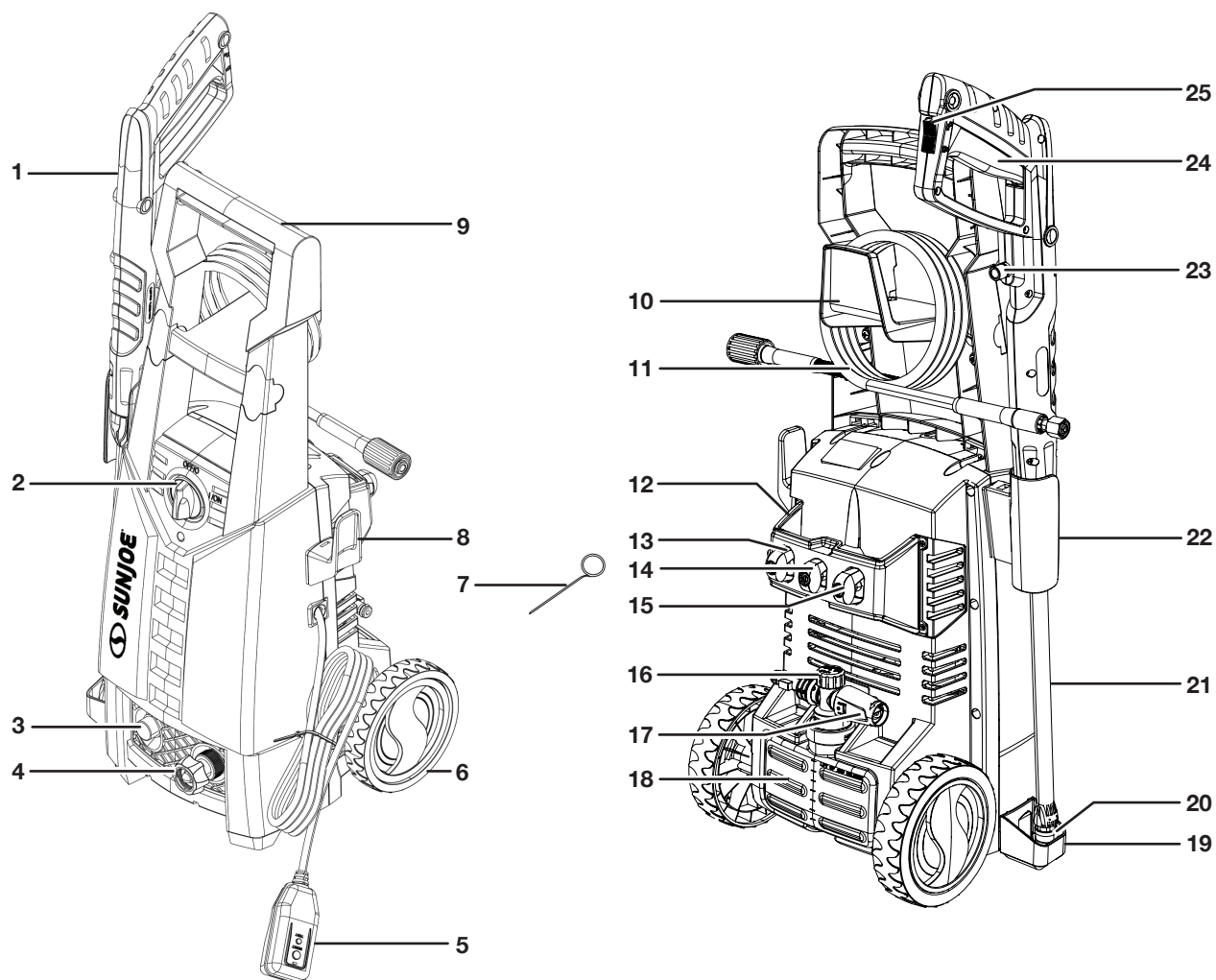
# Symboles de sécurité

Le tableau suivant décrit et explique les symboles de sécurité pouvant être marqués sur cette machine. Avant d'essayer de procéder à son assemblage et de l'utiliser, lisez, comprenez et suivez toutes les instructions sur cette machine.

Symboles	Descriptions	Symboles	Descriptions
	<b>LIRE LE OU LES MANUELS D'UTILISATION</b> – Lire, comprendre et suivre toutes les instructions du ou des manuels avant d'essayer d'assembler et d'utiliser la machine.		<b>AVERTISSEMENT!</b> Risque de secousse électrique
	<b>ALERTE DE SÉCURITÉ</b> – Indique une précaution, un avertissement ou un danger.		<b>AVERTISSEMENT!</b> Ne pas exposer la machine à la pluie ou une forte humidité. La maintenir au sec.
	<b>PORTER UNE PROTECTION OCULAIRE ET DE L'OUÏE</b> – Pour éviter de se blesser, porter des protecteurs d'oreille et des lunettes de sécurité.		Pour réduire le risque de se blesser, l'utilisateur doit maintenir tous les spectateurs à une distance d'au moins 15 m.
	Afin de protéger les mains, porter des gants de sécurité pendant l'utilisation.		Porter des chaussures antidérapantes pour protéger les pieds et avoir une meilleure prise sur les surfaces glissantes.
	Remiser à l'intérieur. Ne jamais remiser le nettoyeur haute pression à l'extérieur. Si la pompe gèle, elle peut être irrémédiablement endommagée.		Cette machine n'est pas adaptée pour se raccorder à un réseau d'eau potable.
	Toujours maintenir le cordon d'alimentation éloigné de la chaleur, de l'huile ou des arêtes tranchantes. Retirer immédiatement la fiche du secteur si le cordon est endommagé, effiloché ou emmêlé.		<b>AVERTISSEMENT!</b> Arrêter la machine et la débrancher de la source d'alimentation électrique avant de l'inspecter, de la nettoyer, changer d'accessoire ou conduire toute autre tâche d'entretien.
	<b>Double isolation</b> : pour les réparations, utiliser uniquement des pièces de rechange identiques.		

# Apprenez à mieux connaître votre nettoyeur haute pression électrique

Avant d'utiliser le nettoyeur haute pression, lisez attentivement le manuel de l'utilisateur et les consignes de sécurité. Pour vous familiariser avec l'emplacement des différents réglages et commandes, comparez l'illustration ci-dessous avec votre machine. Conservez ce manuel pour pouvoir le consulter dans le futur.



- |                                                        |                                            |                                        |
|--------------------------------------------------------|--------------------------------------------|----------------------------------------|
| 1. Pistolet                                            | 9. Poignée supérieure                      | 16. Bouchon réglable de mousse         |
| 2. Interrupteur marche-arrêt                           | 10. Porte-flexible haute pression          | 17. Buse à détergent                   |
| 3. Sortie d'eau/branchement du flexible haute pression | 11. Flexible haute pression                | 18. Réservoir à détergent              |
| 4. Raccord/branchement du boyau d'arrosage             | 12. Support intégré de rangement des buses | 19. Protège-lance d'arrosage           |
| 5. Cordon d'alimentation avec DDFT                     | 13. Buse 0° à branchement rapide (rouge)   | 20. Raccord rapide en laiton           |
| 6. Roue (2)                                            | 14. Buse 15° à branchement rapide (jaune)  | 21. Lance d'arrosage                   |
| 7. Aiguille de curetage                                | 15. Buse 40° à branchement rapide (grise)  | 22. Porte-pistolet                     |
| 8. Attache-cordon                                      |                                            | 23. Raccord de flexible haute pression |
|                                                        |                                            | 24. Gâchette                           |
|                                                        |                                            | 25. Verrouillage de sécurité           |

## Données techniques

Tension nominale.....	120 V ~ 60 Hz
Moteur.....	13 A
Température max. d'arrivée d'eau .....	40 °C
Pression max. d'arrivée d'eau.....	0,7 MPa
Pression max. lors du refoulement initial .....	2 000 psi
selon les essais de pression interne de la CSA	
Pression nominale sous charge typique .....	1 500 psi
Débit max. la buse étant ouverte .....	6,1 l/min
à pression minimale	
Débit nominal sous charge typique .....	4,5 l/min
Capacité du canon à mousse .....	1,0 l
Longueur du flexible haute pression .....	6 m
Longueur du cordon d'alimentation .....	10,7 m
Poids net .....	8,9 kg

## Déballage

### Contenu de la caisse

- Nettoyeur haute pression électrique
  - Poignée supérieure
  - Porte-flexible haute pression
  - Protège-lance d'arrosage
  - Porte-pistolet
  - Attache-cordon
  - Vis 4,8 x 16 (7)
  - Lance d'arrosage
  - Pistolet
  - Trois (3) buses à branchement rapide (0°, 15°, 40°)
  - Aiguille de curetage (dans le sachet du manuel)
  - Flexible haute pression
  - Raccord de boyau d'arrosage (coupleur femelle)
  - Manuel et carte d'enregistrement
1. Retirez soigneusement le nettoyeur haute pression de la caisse et inspectez-le pour vérifier que tous les éléments énumérés ci-dessus sont fournis.
  2. Inspectez soigneusement le contenu afin de vous assurer qu'aucun élément ne s'est cassé ou n'a été endommagé pendant le transport. Si vous constatez que des pièces manquent ou sont endommagées, NE PAS retourner la caisse au magasin. Veuillez appeler le service clientèle Snow Joe® + Sun Joe® au 1-866-SNOWJOE (1-866-766-9563).

**REMARQUE :** ne jetez pas la caisse d'expédition et l'emballage tant que vous n'êtes pas prêt à utiliser votre nouveau nettoyeur haute pression électrique. L'emballage est fabriqué dans des matériaux recyclables. Éliminez ces matériaux de façon appropriée et conformément aux réglementations locales.

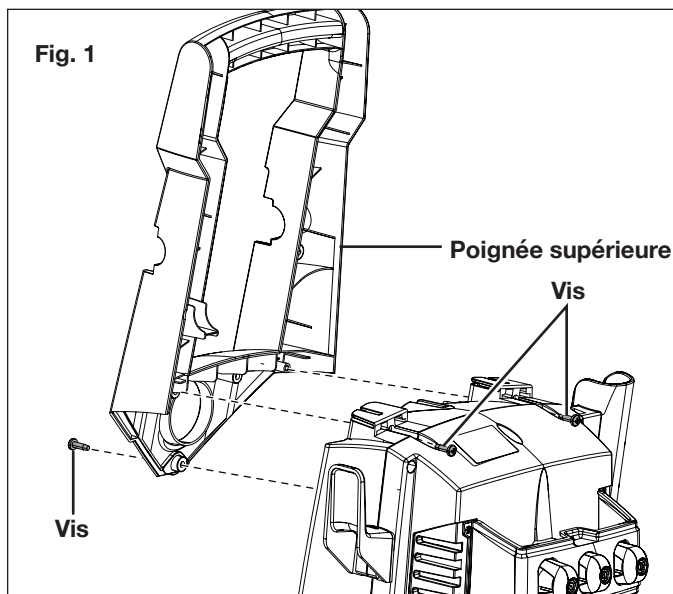
**IMPORTANT!** La machine et son emballage ne sont pas des jouets. Ne laissez pas les enfants jouer avec les sacs en plastique, les feuilles métalliques ou les petites pièces. Ces éléments peuvent être avalés et risquent de provoquer une suffocation!

**AVERTISSEMENT!** Ne pas brancher sur une source d'alimentation électrique tant que l'assemblage n'est pas terminé. Ne pas tenir compte de cet avertissement peut être à l'origine d'un démarrage accidentel et, potentiellement, de graves blessures.

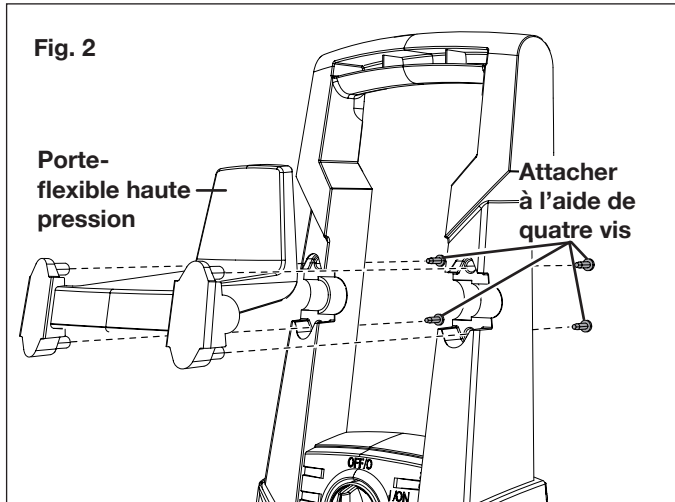
## Assemblage

Outil nécessaire : tournevis à pointe cruciforme

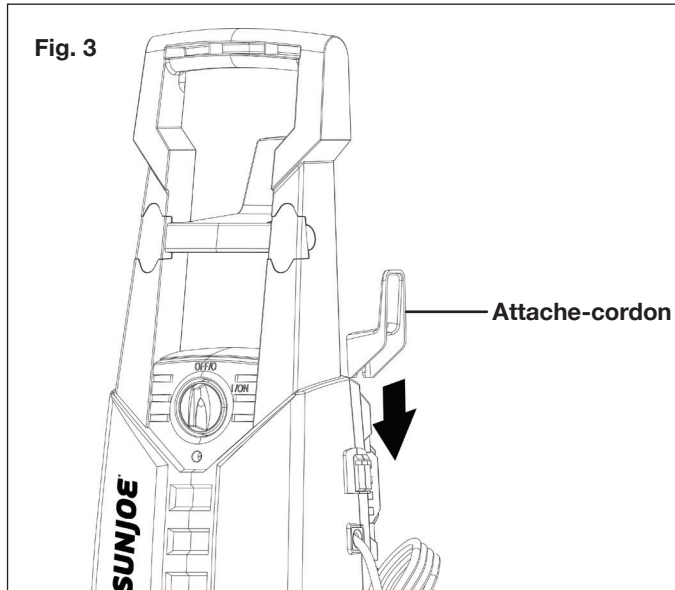
1. Faites glisser la poignée supérieure sur la partie supérieure du nettoyeur haute pression et attachez-la à l'aide des trois vis, comme l'indique l'illustration (Fig. 1).



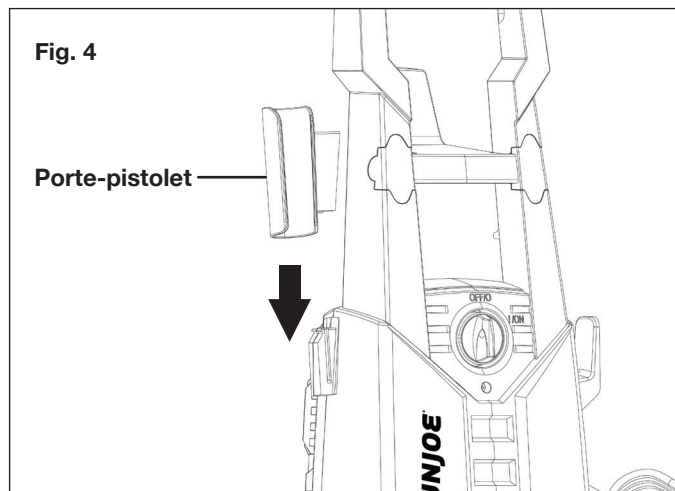
2. Attachez le porte-flexible haute pression à l'aide des quatre vis supplémentaires fournies, comme l'indique l'illustration (Fig. 2).



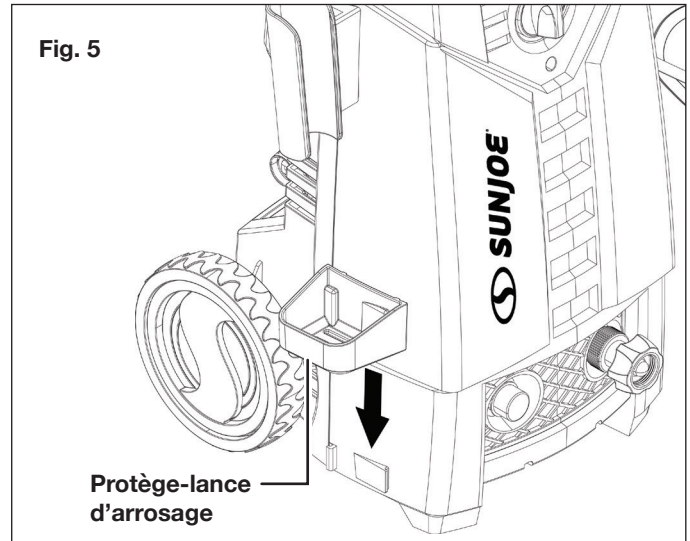
3. Faites glisser l'attache-cordon pour le mettre en place (Fig. 3).



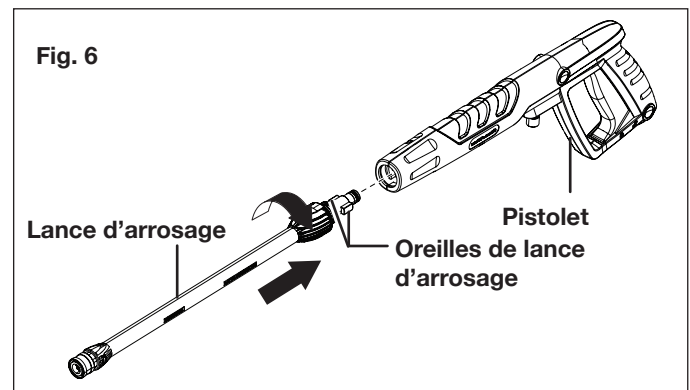
4. Faites glisser le porte-pistolet pour le mettre en place (Fig. 4).



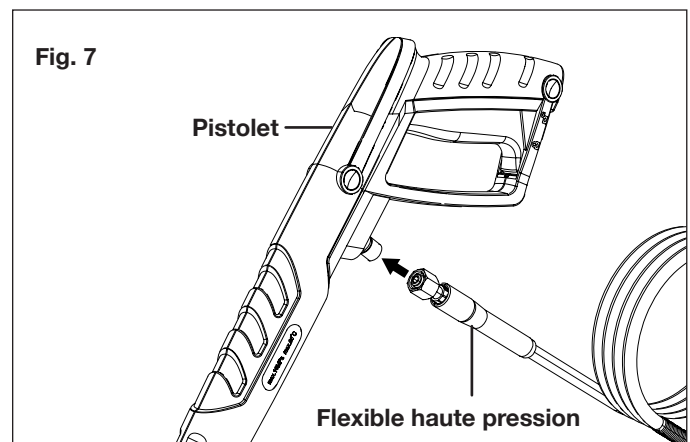
5. Faites glisser le protège-lance d'arrosage pour le mettre en place (Fig. 5).



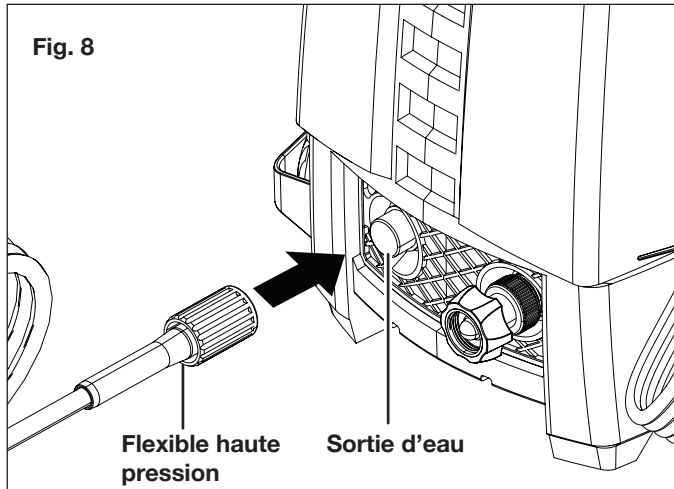
6. Pour brancher la lance d'arrosage dans le pistolet, enfoncez les oreilles de la lance d'arrosage dans l'encoche pratiquée dans le pistolet, puis tournez-le dans le sens antihoraire jusqu'à ce que les deux parties soient bien attachées et verrouillées ensemble (Fig. 6).



7. Branchez le flexible haute pression dans le pistolet. Tournez le flexible pour verrouiller le branchement (Fig. 7).



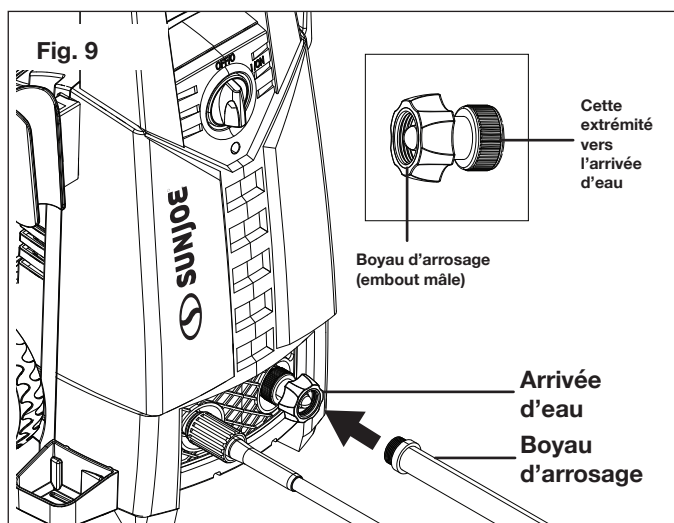
8. Branchez l'autre extrémité du flexible haute pression sur la sortie d'eau du nettoyeur haute pression et serrez bien (Fig. 8).



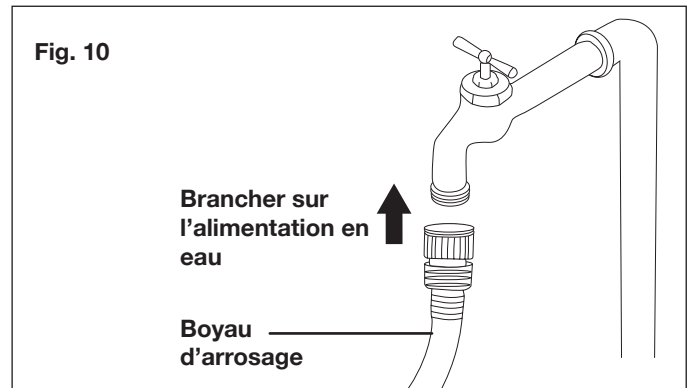
**⚠️ AVERTISSEMENT!** Maintenir le flexible haute pression à l'écart des objets tranchants. Un tuyau souple qui éclate peut causer des blessures. Examiner régulièrement les tuyaux souples et les remplacer s'ils sont endommagés. Ne pas essayer de réparer un tuyau souple endommagé.

9. Branchez le raccord de boyau d'arrosage (raccord femelle) sur l'arrivée d'eau du nettoyeur haute pression, puis vissez votre boyau d'arrosage (embout mâle) sur le raccord pour boyau d'arrosage (Fig. 9). Le boyau d'arrosage doit avoir un diamètre intérieur minimal de 13 mm et doit être renforcé. Le débit de l'alimentation en eau doit être au moins égal au débit nominal du nettoyeur.

**REMARQUE :** la machine n'est pas adaptée pour se raccorder au réseau d'eau potable.



10. Branchez le boyau d'arrosage sur l'alimentation en eau (Fig. 10).



**⚠️ AVERTISSEMENT!** Ne pas brancher sur un réseau d'alimentation en eau potable.

**⚠️ AVERTISSEMENT!** Si la machine est branchée sur un réseau d'alimentation en eau potable, le réseau doit être protégé contre les retours d'eau.

**⚠️ AVERTISSEMENT!** La température de l'eau à l'entrée du nettoyeur ne doit pas être supérieure à 40 °C. Sa pression ne doit pas être supérieure à 0,7 MPa.

**⚠️ MISE EN GARDE!** Le nettoyeur doit être utilisé uniquement avec de l'eau propre; l'utilisation d'eau non filtrée contenant des produits chimiques endommagera le nettoyeur.

## Utilisation

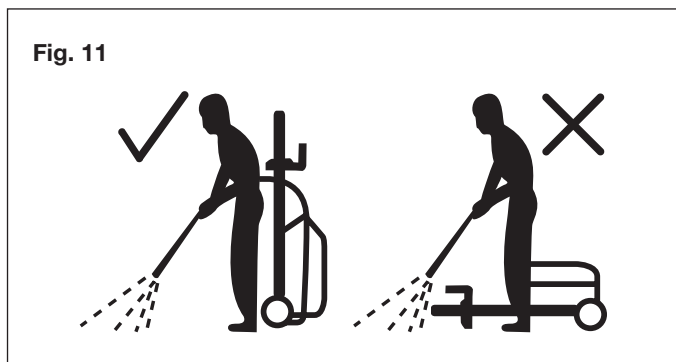
### Utilisation du nettoyeur haute pression

**⚠️ IMPORTANT!** Ce nettoyeur haute pression est équipé d'un microcommutateur sensible au débit d'eau. Ce système de démarrage/arrêt instantané capte le débit dans la pompe. Lorsque la gâchette est relâchée, l'eau arrête de s'écouler dans la pompe. Le système de démarrage instantané coupe alors automatiquement le moteur afin d'empêcher la pompe de surchauffer, économisant ainsi de l'électricité et prolongeant de fait la durée de vie de la pompe.

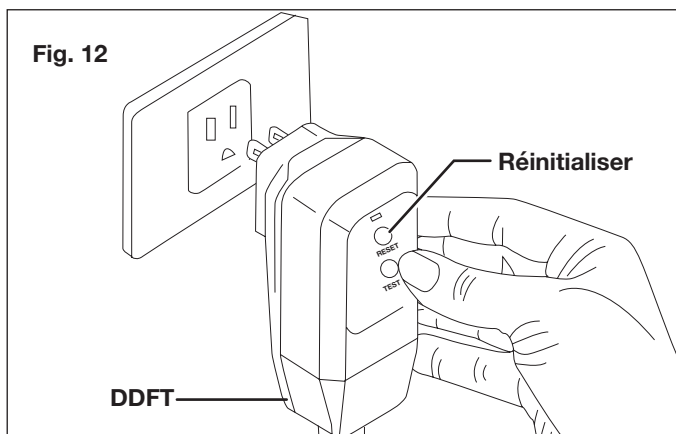
1. Positionnez le nettoyeur aussi PRÈS que possible de l'alimentation en eau.



2. Lorsque vous l'utilisez, le nettoyeur doit reposer sur un sol stable, en position verticale (Fig. 11).

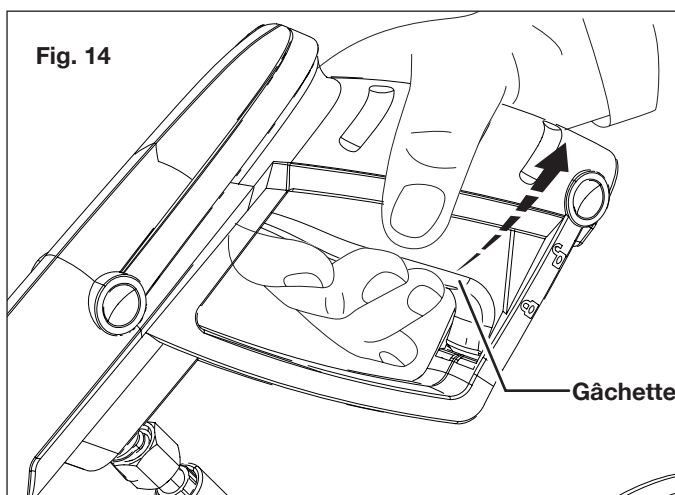
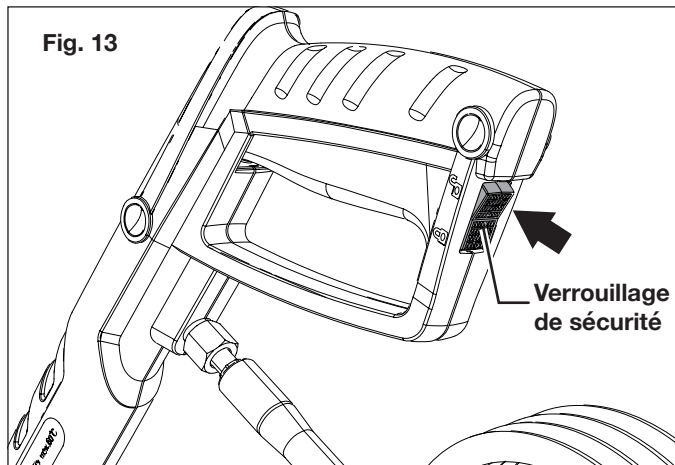


3. Avant de brancher la machine dans la prise électrique, assurez-vous que l'interrupteur est à la position d'arrêt.
4. Vérifiez que la tension et la fréquence (V/Hz) de l'alimentation électrique correspondent aux spécifications marquées sur la plaque signalétique. Si l'alimentation électrique correspond, vous pouvez alors brancher le nettoyeur haute pression dans la prise électrique (Fig. 12).

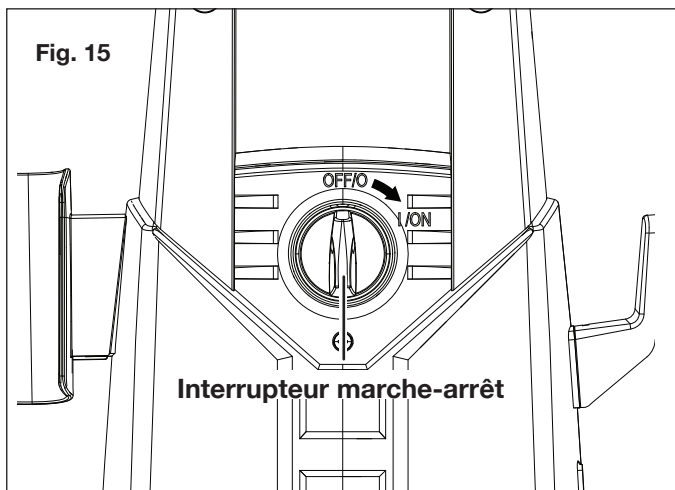


**REMARQUE :** il se peut que le DDFT nécessite d'être d'abord branché dans la prise électrique. Appuyez sur le bouton « Reset » (Réinitialiser) jusqu'à ce que le voyant de mise sous tension sur le DDFT s'allume lorsque la machine est branchée.

5. Ouvrez complètement le robinet d'alimentation en eau.
6. Libérez le verrouillage de sécurité, puis appuyez sur la gâchette pendant quelques secondes jusqu'à ce que le débit d'eau soit régulier. En procédant de la sorte, l'air pourra s'échapper et éliminer la pression résiduelle dans le flexible (Fig. 13 et 14).



7. Pour démarrer le nettoyeur haute pression, tournez l'interrupteur à la position « I/ON » (Fig. 15).



8. Lorsque vous redémarrez le moteur, maintenez toujours la gâchette enfoncée.

**REMARQUE :** le moteur tourne uniquement quand la gâchette est pressée et il s'arrête quand la gâchette est relâchée.



## Comment utiliser les buses

Avant d'entamer tout travail de nettoyage, déterminez la buse la mieux adaptée à la tâche à effectuer. Chacune des buses offre un angle de pulvérisation différent. Les angles de pulvérisation des buses sont les suivants : 40° (pour un nettoyage en douceur), 15° (pour un nettoyage intensif) et 0° (pour un nettoyage ponctuel ou pour les endroits difficiles à atteindre).

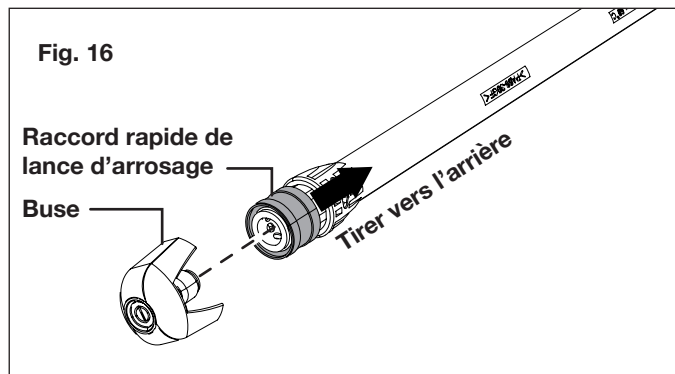
**⚠ MISE EN GARDE! NE JAMAIS** changer de buse sans avoir au préalable verrouillé la sécurité sur la poignée de la gâchette.

**⚠ AVERTISSEMENT!** Les jets à haute pression peuvent être dangereux s'ils ne sont pas utilisés à bon escient. Ne pas diriger le jet vers une personne, un animal familier, du matériel électrique ou la machine elle-même.

Le nettoyeur haute pression électrique est équipé de trois (3) buses à branchement rapide qui s'encliquettent sur le raccord rapide de la lance d'arrosage.

Pour brancher une buse sur la lance d'arrosage :

1. Arrêtez le nettoyeur haute pression et coupez l'alimentation en eau. Appuyez sur la gâchette pour relâcher la pression d'eau.
2. NE JAMAIS changer de buse sans avoir au préalable verrouillé la sécurité sur la poignée de la gâchette.
3. Tirez vers l'arrière le raccord rapide en laiton et insérez la buse voulue dans le raccord. Relâchez le raccord et la buse se mettra en place en s'encliquetant (Fig. 16).



Pour débrancher la buse de la lance d'arrosage une fois que le nettoyage est achevé :

1. Arrêtez le nettoyeur haute pression et coupez l'alimentation en eau. Appuyez sur la gâchette pour relâcher la pression d'eau.
2. NE JAMAIS changer de buse sans avoir au préalable verrouillé la sécurité sur la poignée de la gâchette.
3. Retirez la buse en la débranchant tout en tirant vers l'arrière le raccord rapide en laiton.

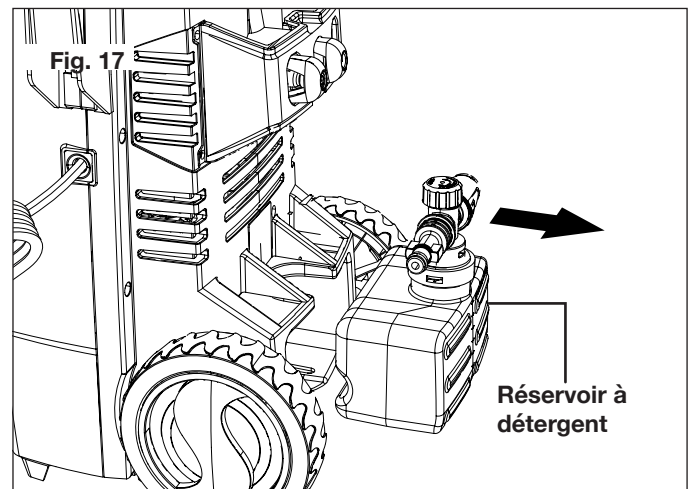
**⚠ AVERTISSEMENT!** Ne pas changer de buse quand la gâchette est enfoncée. Le nettoyeur haute pression pourrait être endommagé et l'utilisateur pourrait se blesser.

## Travaux de nettoyage au détergent

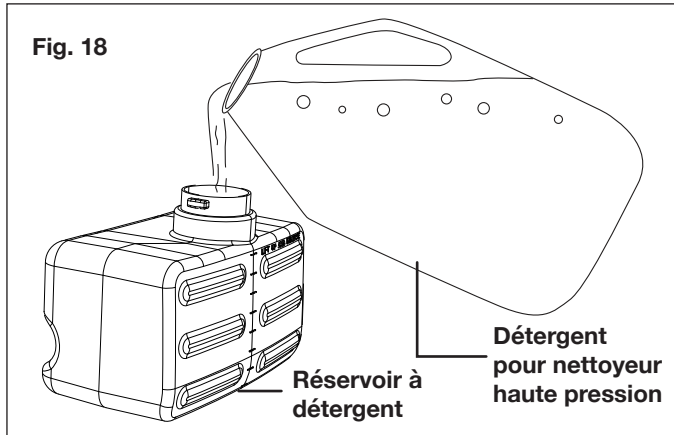
Lorsque vous utilisez le nettoyeur haute pression, certains travaux de nettoyage peuvent être résolus en utilisant uniquement de l'eau, mais pour la plupart d'entre eux, le nettoyage au détergent permet de retirer plus efficacement la saleté.

**⚠ AVERTISSEMENT!** Utiliser uniquement des détergents conçus pour les nettoyeurs haute pression, par exemple la FORMULE CONCENTRÉE POUR LE LAVAGE DE TERRASSES DE MAISON SPX-HDC1G Sun Joe®, la MOUSSE DE LAVAGE DE VOITURE SPX-FCS1G Sun Joe® ou le PRODUIT NETTOYANT DE TYPE INDUSTRIEL SPX-APC1G Sun Joe®. **NE PAS UTILISER** de détergents à usage domestique, d'acides, de solutions alcalines, d'eau de Javel, de solvants, de matières inflammables ou de solutions de qualité industrielle. Ces produits pourraient endommager le nettoyeur haute pression. De nombreux détergents peuvent nécessiter d'être mélangés avant utilisation. Préparer la solution de nettoyage comme indiqué sur le bidon de solution.

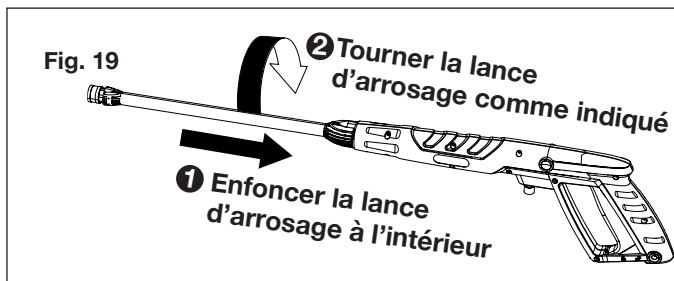
1. Tirez doucement de son logement le réservoir à détergent (Fig. 17).



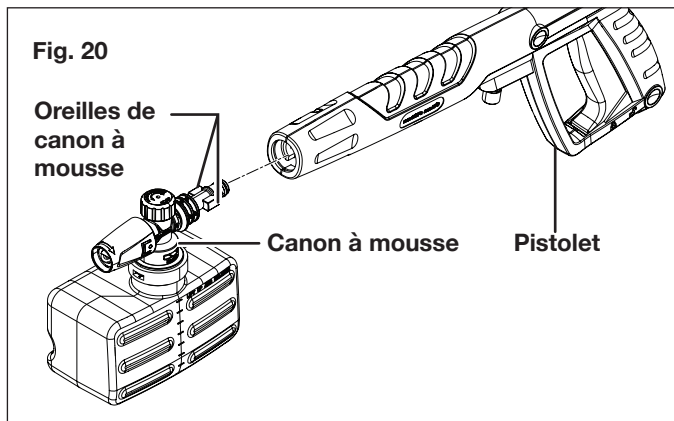
2. Retirer le bouchon. Remplissez le réservoir d'un détergent ou d'un mélange selon les instructions du fabricant du détergent (Fig. 18) et remplacez le réservoir sur la machine. Remettez le bouchon en place.



3. Débranchez la lance d'arrosage du pistolet en l'enfonçant et en la tournant dans le sens horaire jusqu'à ce que les deux oreilles de la lance d'arrosage puissent être dégagées de l'encoche (Fig. 19).

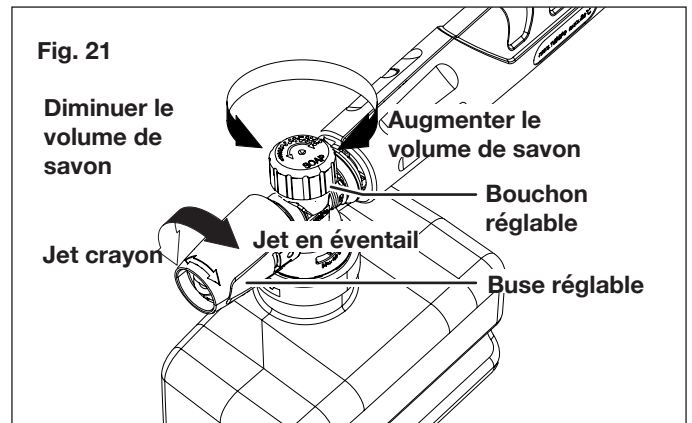


4. Pour brancher le canon à mousse dans le pistolet, enfoncez les oreilles du canon à mousse dans l'encoche pratiquée dans le pistolet, puis tournez-le dans le sens antihoraire jusqu'à ce que les deux parties soient bien attachées et verrouillées ensemble (Fig. 20).



5. Mettez en marche le nettoyeur haute pression. Pressez la gâchette pour utiliser la machine. Le détergent liquide se mélangera automatiquement à l'eau et sera pulvérisé en passant par la buse.

**REMARQUE :** l'angle de pulvérisation peut se régler de 0° à 45° en tournant la buse du canon à mousse. Le volume de mousse peut se régler à l'aide du bouchon réglable, comme indiqué ci-dessous (Fig. 21).



**⚠ AVERTISSEMENT!** Ne pas régler le canon à mousse tout en pressant la gâchette. Le non-respect de cet avertissement peut endommager la machine.

**⚠ MISE EN GARDE!** Avant utilisation, toujours faire un essai avec le détergent en le pulvérisant sur une zone peu visible.

6. Pulvériser le détergent du bas vers le haut de la surface sèche à nettoyer.

**REMARQUE :** il n'est pas recommandé de mouiller d'abord la surface à nettoyer, car ceci dilue le détergent et réduit son efficacité.

7. Avant de rincer, laissez le détergent agir brièvement sur la surface à nettoyer. Ne laissez pas le détergent sécher sur la surface à nettoyer.

**⚠ MISE EN GARDE!** Si le détergent sèche sur une surface à nettoyer qui est peinte, celle-ci peut être endommagée. Nettoyer et rincer à la fois une petite surface. Éviter de pulvériser sur les surfaces chaudes ou directement exposées aux rayons du soleil.

8. Lorsque vous avez fini d'utiliser le nettoyeur haute pression, vous devez d'abord vider et rincer le réservoir à détergent. Laissez en marche le nettoyeur haute pression tant que le réservoir du canon à mousse ne s'est pas vidé de tout le savon.

**⚠ MISE EN GARDE!** Si ces consignes de nettoyage ne sont pas suivies, le système d'injection se bouchera et deviendra inutilisable.

**⚠ IMPORTANT! NE JAMAIS UTILISER :**

- De l'eau de Javel, des produits chlorés ou d'autres produits chimiques corrosifs.
- Des liquides contenant des solvants (p. ex., des diluants, de l'essence, des huiles).
- Des produits au phosphate trisodique.
- Des produits à base d'ammoniac.

- Des produits à base d'acide.

Ces produits chimiques endommageront la machine ainsi que la surface à nettoyer.

## Arrêt de la machine

1. Tournez l'interrupteur à la position « OFF/0 » et débranchez le cordon d'alimentation de la prise.
2. Coupez l'alimentation en eau.
3. Pressez la gâchette pour relâcher la pression d'eau.
4. Débranchez le boyau d'arrosage de l'arrivée d'eau sur la machine.
5. Débranchez le raccord de flexible haute pression sur la poignée du pistolet.
6. Relâchez la gâchette et activez le verrouillage de sécurité du pistolet.

**⚠ AVERTISSEMENT!** Couper l'alimentation en eau et presser la gâchette pour libérer la pression de la machine. Toute personne ne respectant pas cet avertissement pourrait être blessée par le refoulement de l'eau à haute pression.

## Prise d'une pause

Si vous prenez une pause de cinq minutes ou plus entre les tâches de nettoyage :

1. Activez le verrouillage de sécurité au dos du pistolet.
2. Tournez l'interrupteur à la position « OFF/0 ».
3. Débranchez le cordon d'alimentation de la prise.

## Remisage

**⚠ MISE EN GARDE!** Toujours remisier le nettoyeur haute pression dans un endroit où la température n'est jamais inférieure à 0 °C. La pompe de cette machine est susceptible d'être irrémédiablement endommagée si elle gèle. **LES DOMMAGES DUS AU GEL NE SONT PAS COUVERTS PAR LA GARANTIE.**

- Remisez le nettoyeur haute pression à l'intérieur dans un endroit couvert et sec où il ne sera pas soumis aux intempéries.
- Il est important de remisier cette machine dans un endroit à l'abri du gel.
- Avant de remisier la machine, videz toujours l'eau des tuyaux, de la pompe et du réservoir du canon à mousse (si vous l'avez utilisé).

**⚠ MISE EN GARDE!** L'utilisation d'un protège-pompe est recommandée pour que le froid n'endommage pas la pompe pendant les mois d'hiver.

## Remisage pour l'hiver et de longue durée

Si vous devez remisier votre nettoyeur haute pression dans un endroit où la température peut être inférieure à 0 °C, vous pouvez réduire au minimum le risque d'endommager votre machine en suivant cette procédure :

- Débranchez tous les raccords d'eau.
- Mettez en marche le nettoyeur haute pression pendant quelques secondes jusqu'à ce que l'eau restant dans la pompe soit évacuée. Arrêtez immédiatement la machine.
- Ne laissez pas le flexible haute pression s'entortiller.
- Remisez la machine et ses accessoires dans une pièce à l'abri du gel.
- Ne remisiez pas la machine près d'une chaudière ou d'autres sources de chaleur susceptibles de dessécher les joints de la pompe.
- Avant de le remisier pour l'hiver, utilisez le nettoyeur haute pression avec un antigel non corrosif et non toxique, un économiseur de pompe ou un protège-pompe.

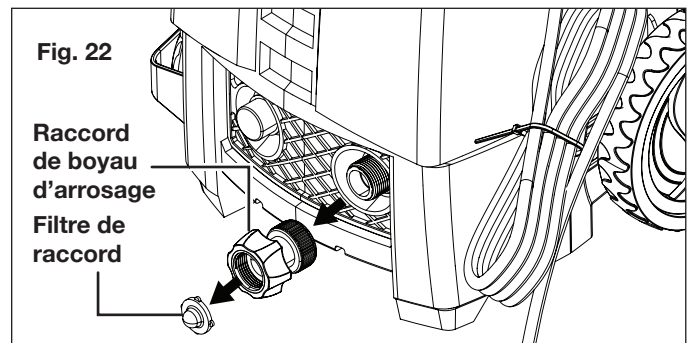
**⚠ AVERTISSEMENT!** Avant de réutiliser la machine, la rincer complètement en utilisant de l'eau claire. Les antigels peuvent endommager la peinture et il faut donc s'assurer qu'il n'y ait pas d'antigel restant dans le système avant de le réutiliser.

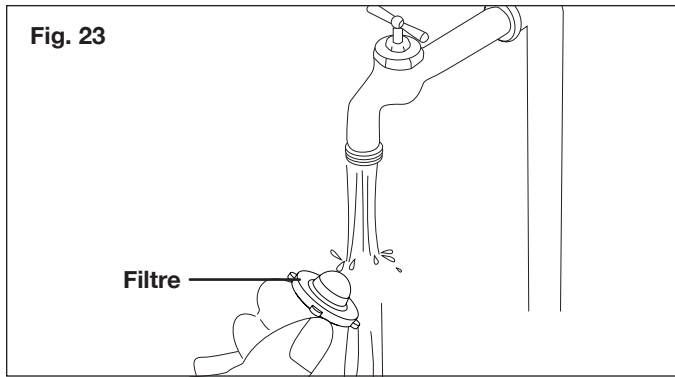
## Entretien

**⚠ MISE EN GARDE!** Avant d'intervenir sur le nettoyeur haute pression, débrancher la fiche de la prise de courant.

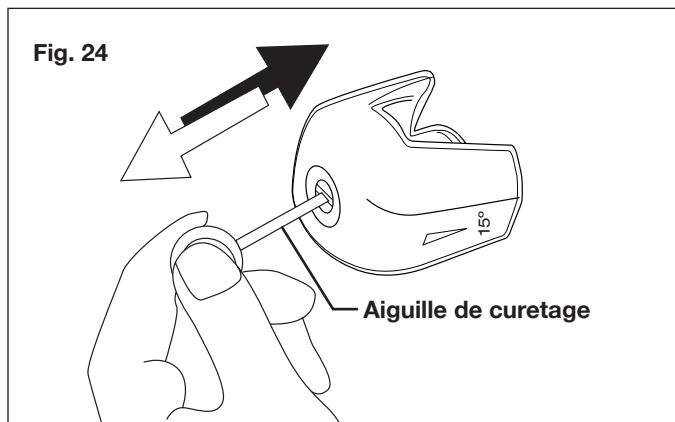
### Nettoyage du filtre de raccord et de la buse

1. Pour assurer un bon rendement, vérifiez et nettoyez le filtre de raccord (Fig. 22). Retirez le filtre et rincez-le à l'eau chaude pour empêcher tout corps étranger de venir obstruer la pompe (Fig. 23).





2. Nettoyez la buse à l'aide de l'aiguille de curetage fournie (Fig. 24). Retirez la buse de la lance d'arrosage; retirez toute la saleté de l'orifice de la buse et rincez.



## Élimination

### Recyclage du nettoyeur haute pression

- Ne jetez pas les appareils électriques comme si c'étaient des déchets ménagers. Utilisez les services d'enlèvement spéciaux des ordures ménagères.
- Communiquez avec l'organisme public local pour obtenir des informations sur les systèmes d'enlèvement offerts.
- Si des appareils électriques sont éliminés dans les décharges ou les dépôts d'ordures, des substances dangereuses peuvent s'infiltrer dans les eaux souterraines et polluer la chaîne alimentaire en nuisant à votre santé et votre bien-être.

## Entretien, réparations et assistance technique

Si votre nettoyeur haute pression électrique Sun Joe® SPX2598-MAX nécessite une réparation ou un entretien, veuillez appeler le service clientèle Snow Joe® + Sun Joe® au 1 866-SNOWJOE (1-866-766-9563).

## Numéros de modèle et de série

Lorsque vous communiquez avec l'entreprise pour commander des pièces ou prendre rendez-vous pour une intervention technique chez un revendeur agréé, vous devez fournir les numéros de modèle et de série qui se trouvent sur l'étiquette autocollante apposée sur le caisson de la machine. Copiez ces numéros dans l'espace réservé ci-dessous.

Veuillez noter les numéros suivants sur le caisson ou la poignée de votre nouveau produit :

N° de modèle :														
S	P	X	2	5	9	8	-	M	A	X				
N° de série :														


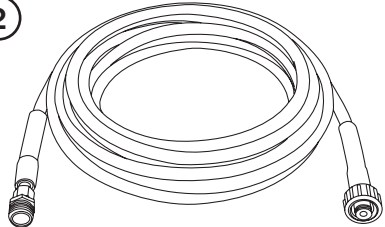
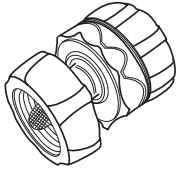
# Dépannage

- Débranchez la machine de la source d'alimentation électrique avant d'effectuer un entretien ou lorsque vous voulez vérifier que ses pièces sont en bon ordre de marche.
- Pour éviter des ennuis inutiles, pour tous les problèmes mécaniques, consultez le tableau suivant avant de communiquer avec le service clientèle.

Problèmes	Cause possible	Solution possible
La machine refuse de démarrer	<ul style="list-style-type: none"> <li>• Panne de courant/machine non branchée dans une prise en bon état.</li> <li>• Prise défectueuse.</li> <li>• Un fusible a sauté.</li> <li>• Rallonge défectueuse.</li> </ul>	<ul style="list-style-type: none"> <li>• Vérifiez que la machine est branchée dans une prise de courant en bon état.</li> <li>• Vérifiez le cordon d'alimentation et réinitialisez le DDFT. Essayez une prise de courant différente.</li> <li>• Remplacez le fusible. Arrêtez tous les autres outils, machines ou appareils utilisant le même circuit.</li> <li>• Essayez la machine sans rallonge électrique.</li> </ul>
Pression fluctuante	<ul style="list-style-type: none"> <li>• La pompe aspire de l'air.</li> <li>• Soupapes sales, usées ou coincées.</li> <li>• Joints d'étanchéité de la pompe usés.</li> </ul>	<ul style="list-style-type: none"> <li>• Vérifiez que les tuyaux flexibles et les raccords sont étanches à l'air.</li> <li>• Nettoyez ou remplacez les soupapes/joints.</li> <li>• Veuillez appeler le service clientèle Snow Joe® + Sun Joe® au 1-866-SNOWJOE (1-866-766-9563) pour de l'aide.</li> </ul>
La machine s'arrête	<ul style="list-style-type: none"> <li>• Un fusible a sauté.</li> <li>• Tension de secteur non appropriée.</li> <li>• Capteur thermique activé.</li> <li>• Buse partiellement obstruée.</li> </ul>	<ul style="list-style-type: none"> <li>• Remplacez le fusible. Arrêtez les autres machines branchées sur le même circuit.</li> <li>• Vérifiez que la tension de secteur correspond aux spécifications sur l'étiquette du modèle.</li> <li>• Laissez le nettoyeur se refroidir pendant cinq minutes, puis redémarrez.</li> <li>• Nettoyez la buse.</li> </ul>
Le fusible a sauté	<ul style="list-style-type: none"> <li>• Fusible trop petit.</li> </ul>	<ul style="list-style-type: none"> <li>• Posez un fusible ayant une intensité nominale plus élevée que celle de la machine. Essayez la machine sans rallonge électrique.</li> </ul>
L'écoulement dans la machine est pulsatoire	<ul style="list-style-type: none"> <li>• Air dans le tuyau d'arrivée.</li> <li>• Alimentation en eau du réseau insuffisante.</li> <li>• Buse partiellement obstruée.</li> <li>• Filtre à eau obstrué.</li> <li>• Tuyau flexible entortillé.</li> </ul>	<ul style="list-style-type: none"> <li>• Faites tourner la machine en maintenant la gâchette pressée jusqu'à ce que la pression de service régulière se rétablisse.</li> <li>• Vérifiez que l'alimentation en eau correspond aux spécifications de la machine.</li> <li>• <b>AVERTISSEMENT!</b> Éviter d'utiliser des flexibles longs et de petit diamètre (13 mm de diamètre au minimum).</li> <li>• Nettoyez la buse.</li> <li>• Nettoyez le filtre d'arrivée d'eau.</li> <li>• Étirez le tuyau flexible pour l'empêcher de s'entortiller ou de se boucher.</li> </ul>
La machine s'arrête et démarre souvent d'elle-même	<ul style="list-style-type: none"> <li>• La pompe ou le pistolet de pulvérisation fuit.</li> <li>• Le mécanisme de la gâchette est cassé.</li> </ul>	<ul style="list-style-type: none"> <li>• Pour de l'aide, veuillez appeler le service clientèle Snow Joe® + Sun Joe® au 1-866-SNOWJOE (1-866-766-9563).</li> </ul>
La machine démarre, mais aucune eau n'en sort	<ul style="list-style-type: none"> <li>• Pompe, tuyaux flexibles ou accessoires gelés.</li> <li>• Aucune alimentation en eau.</li> <li>• Filtre d'arrivée d'eau obstrué.</li> <li>• Buse obstruée.</li> </ul>	<ul style="list-style-type: none"> <li>• Patientez jusqu'à ce que la pompe, le flexible haute pression ou les accessoires dégèlent.</li> <li>• Branchez l'arrivée d'eau.</li> <li>• Nettoyez le filtre d'arrivée d'eau.</li> <li>• Nettoyez la buse.</li> </ul>

## Accessoires en option

**⚠️ AVERTISSEMENT!** TOUJOURS utiliser des pièces de rechange et des accessoires Snow Joe® + Sun Joe® homologués. NE JAMAIS utiliser des pièces ou des accessoires qui ne sont pas destinés à être utilisés avec ce nettoyeur haute pression électrique. Communiquez avec Snow Joe® + Sun Joe® si vous n'êtes pas sûr que l'utilisation d'une pièce de rechange ou d'un accessoire particulier avec votre nettoyeur haute pression soit sans danger. L'utilisation de tout autre accessoire ou de toute autre pièce détachée peut être dangereuse et pourrait provoquer des dommages corporels ou des détériorations d'origine mécanique.

Accessoires	Description	Modèle
<p>①</p> 	<p>Produit nettoyant concentré tout usage pour terrasses et extérieurs Sun Joe® spécialement conçu pour les nettoyeurs haute pression</p> <p>Mousse de lavage de voiture haut de gamme Sun Joe® spécialement conçue pour les nettoyeurs haute pression</p> <p>Produit nettoyant et dégraissant de type industriel et tout usage Sun Joe® spécialement conçu pour les nettoyeurs haute pression</p>	<p>SPX-HDC1G</p> <p>SPX-FCS1G</p> <p>SPX-APC1G</p>
<p>②</p> 	<p>Rallonge flexible à usage modéré de 7,6 m pour nettoyeurs haute pression de la Série SPX</p>	<p>SPX-25H</p>
<p>③</p> 	<p>Laiton massif universel coupleur à connexion rapide (du boyau d'arrosage au raccord du nettoyeur haute pression)</p>	<p>SPX-UQC</p>

La gamme complète d'accessoires haut de gamme pour nettoyeurs haute pression de Sun Joe a été créée pour faciliter vos tâches de nettoyage et vous aider à tirer le meilleur parti de votre modèle.

**MAGASINEZ EN LIGNE dès maintenant sur le site [sunjoe.com](http://sunjoe.com)**

**REMARQUE :** les accessoires sont sous réserve de changements sans que Snow Joe® + Sun Joe® soit pour autant tenue de donner un préavis desdits changements. Les accessoires peuvent être commandés en ligne sur le site [sunjoe.com](http://sunjoe.com) ou par téléphone en appelant le service clientèle Snow Joe® + Sun Joe® au 1-866-SNOWJOE (1-866-766-9563).





## LA PROMESSE DE SNOW JOE® + SUN JOE® À SES CLIENTS

Vous êtes notre client et Snow Joe, LLC (« Snow Joe ») **SE MET EN QUATRE** pour vous servir. Nous nous efforçons de vous rendre l'utilisation de nos produits aussi plaisante que possible. Malheureusement, il peut arriver qu'un produit Snow Joe®, Sun Joe® ou Aqua Joe (« Produit ») ne fonctionne pas ou se casse dans des conditions d'utilisation normales. Nous pensons qu'il est important que vous sachiez ce que vous pouvez attendre de nous. C'est pourquoi nous avons une garantie limitée (« Garantie ») pour nos Produits.

### NOTRE GARANTIE :

Snow Joe déclare et garantit que les Produits neufs, d'origine, électriques ou non électriques sont exempts de vices de matière ou de fabrication et, lorsqu'ils font l'objet d'une utilisation résidentielle et ménagère ordinaire, les garantit pendant une période de deux ans à compter de la date d'achat au détail par l'acheteur primitif auprès de Snow Joe ou d'un des revendeurs agréés de Snow Joe, preuve d'achat à l'appui. Étant donné que Snow Joe ne peut pas contrôler la qualité de ses Produits vendus par des revendeurs non agréés, sauf stipulation contraire de la loi, la présente Garantie ne couvre pas les Produits achetés auprès de vendeurs non agréés. Si votre Produit ne fonctionne pas ou si une pièce spécifique couverte par les modalités de la présente Garantie fait l'objet d'un problème quelconque, Snow Joe choisira (1) de vous envoyer une pièce de rechange gratuite, (2) de remplacer le Produit par un produit neuf ou comparable, gratuitement, ou (3) de réparer le Produit. Génial, n'est-ce pas?

**La présente Garantie vous donne des droits judiciaires spécifiques, et vous pouvez également avoir d'autres droits qui peuvent varier d'une province ou d'un territoire à l'autre.**

### ENREGISTREMENT DU PRODUIT :

Snow Joe vous recommande vivement d'enregistrer votre Produit. Vous pouvez l'enregistrer en ligne sur le site [snowjoe.com/register](http://snowjoe.com/register), ou en imprimant et en envoyant par courrier une carte d'enregistrement offerte en ligne sur notre site Web, ou par téléphone en appelant notre Service à la clientèle au **1-866-SNOWJOE (1-866-766-9563)**, ou encore en nous envoyant un courriel à l'adresse [help@snowjoe.com](mailto:help@snowjoe.com). Le fait de ne pas enregistrer l'achat de votre Produit n'a aucune conséquence sur vos droits concernant la garantie. Toutefois, l'enregistrement de votre Produit permettra à Snow Joe de mieux répondre au moindre besoin que vous pourriez avoir en matière de service à la clientèle.

### QUI PEUT REVENDIQUER LA COUVERTURE DE LA GARANTIE?

La présente Garantie est étendue par Snow Joe à l'acheteur et propriétaire primitif du Produit.

### QU'EST-CE QUI N'EST PAS COUVERT?

La présente Garantie ne s'applique pas si le Produit a été utilisé commercialement, pour des travaux non résidentiels ou s'il fait l'objet d'une location. La présente Garantie ne s'applique pas non plus si le Produit a été acheté auprès d'un revendeur non agréé. La présente garantie ne couvre pas non plus les changements cosmétiques qui n'affectent pas le rendement. Les pièces d'usure comme les courroies, les tarières, les chaînes et les dents ne sont pas couvertes au titre de la présente Garantie et peuvent être achetées en ligne sur le site [snowjoe.com](http://snowjoe.com) ou en appelant le **1-866-SNOWJOE (1-866-766-9563)**.



A series of horizontal lines for writing, spanning the width of the page.



---

---

---

---

---

---

---

---

---

---

---

---

---

---

---

---

---

---

---

---

---

---

---

---

---



[sunjoe.com](http://sunjoe.com)