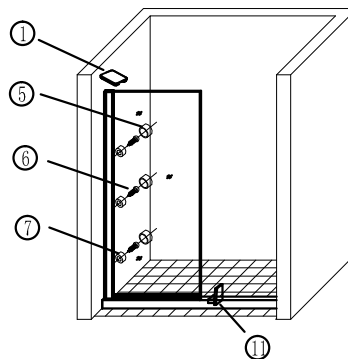
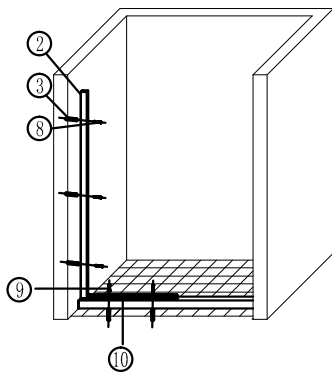
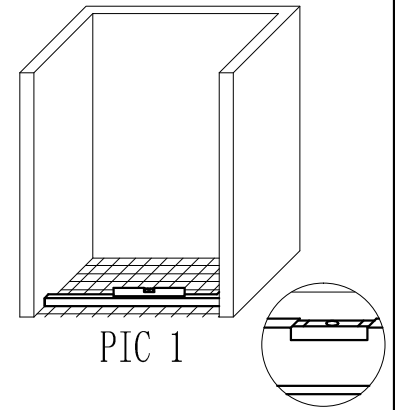


### 3. Installation Process:

1). If you need to install the marble, put the marble upon the floor (See Picture 1).

2). Insert fixed panel (#4 in Part List) into wall profile (#2 in PL) and bottom waterproof aluminum channel (#10 in PL). Make sure the fixed panel is plumb both to wall and floor. Mark a line with pencil against wall profile (#2 in PL). Mark holes for wall profile, drill and insert wall plug (#3 in PL). Fasten wall profile (#2 in PL) to wall with ST4\*30 screw (#8 in PL). Remove fixed panel, and fasten bottom aluminum channel (#10 in PL) to floor with ST4\*20 screw (#9 in PL). See picture 2.

3). Insert fixed panel (#4 in PL) into wall profile (#2 in PL) and bottom aluminum channel (#10 in PL), make sure the fixed panel is level. Fix the fixed panel profile (#2 in PL) and wall profile with ST4\*12 screw. Put fixed panel cover (#1 in PL) and wall profile cover (#1 in PL) on top of fixed profile and wall profile. Attach cover (#11 in PL) to bottom aluminum channel (#10 in PL). See picture 3



### 4. Sealing and Cleaning

After installation, clean the profile and glass panels using mild detergent.

### 5. Use and Maintenance:

- 1). Don't open or close the door forcefully to avoid damage to the unit. Apply some lubricate to the hinges every one month.
- 2). Never use acid or alkaline solution or hard article to clean the hinges or glass surface.
- 3). Check the shower door periodically for part damage or screw loosening. Contact local dealer or manufacturer for service.