

Item #1000 000 000
Model # 3001-DT3-KD

HAMPTON BAY®

USE AND CARE GUIDE

FARMHOUSE 68" TABLE STEEL BLACK LEGS



Questions, problems, missing parts? Before returning to the store,
call Hampton Bay Customer Service
8 a.m. - 7 p.m., EST, Monday – Friday, 9 a.m. – 6 p.m., EST, Saturday

1-855-HD-HAMPTON

HAMPTONBAY.COM

THANK YOU

We appreciate the trust and confidence you have placed in Hampton Bay through the purchase of this table. We strive to continually create quality products designed to enhance your home. Visit us online to see our full line of products available for your home improvement needs. Thank you for choosing Hampton Bay!

Table of Contents

Table of Contents	2	Tools and hardware required	3
Important Safety Instructions	2	Hardware included	3
Save These Instructions	2	Pre-assembly	4
Read All Instructions Before Use	2	Assembly	5
Warranty	3	Care and Cleaning	7
What is Covered	3		
What is Not Covered	3		
Pre-assembly	3		
Planning Assembly	3		

Important Safety Instructions

SAVE THESE INSTRUCTIONS



WARNING: This table was made for the explicit purpose of providing outdoor functions and is not to be used as a toy. This product is intended for normal outdoor use; however, the manufacturer recommends storing and / or covering this set when any formidable / severe weather is approaching.



WARNING: Do not locate this product near open flames. Do not use this product as a support. Do not shake, lean or climb on the product. Children under the age of 10, near the product, should be supervised by a competent adult at all times. This product is NOT intended for commercial use. Commercial use will void the warranty.

READ ALL INSTRUCTIONS BEFORE USE

To reduce the risk of injury to persons:

- Close supervision is necessary when this product is used by or near children, or disabled persons, if applicable.
- Use this furnishing only for its intended use as described in these instructions. Do not use attachments not recommended by the manufacturer.
- Please keep children out of the assembly area during assembly.
- This table is not intended to support an umbrella. Umbrellas must have a suitable base or stand.



WARNING: Do not place heavy objects on the table.



WARNING: When not in use, secure the product in a cool and covered location.



WARNING: This table unit is heavy, and may require two adults for safe assembly.



CAUTION: Do not locate the product near any heat source.

Warranty

2 YEAR FRAME WARRANTY

WHAT IS COVERED

We warrant the frame to be free of manufacturing defects to the original purchaser for two years.

WHAT IS NOT COVERED

It remains the customer's responsibility for freight and packaging charges to and from our service center. This warranty does not cover commercial use, hardware, acts of nature, fire, freezing and abusive use. In addition, purchased parts are not covered under this warranty. We reserve the right to make substitutions with similar merchandise, if the model in question is no longer in production.

Contact the Customer Service Team at 1-855-HD-HAMPTON or visit HAMPTONBAY.COM.

Pre-assembly

PLANNING ASSEMBLY



NOTE: Read all instructions before assembly. To avoid damaging this product, assemble it on a soft, non-abrasive surface such as carpet or cardboard.



NOTE: More than one person may be required to assemble this product.

TOOLS AND HARDWARE REQUIRED



— AA



— BB



— CC



— DD



— EE



— FF



— GG

HARDWARE INCLUDED

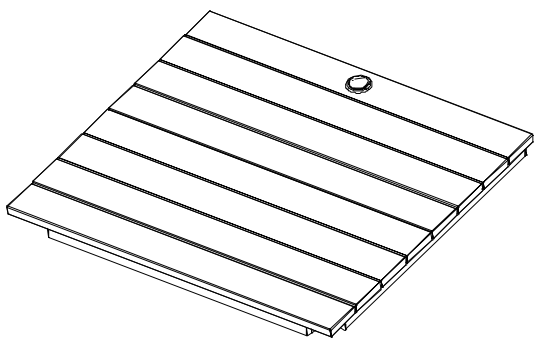


NOTE: Hardware not shown to actual size.

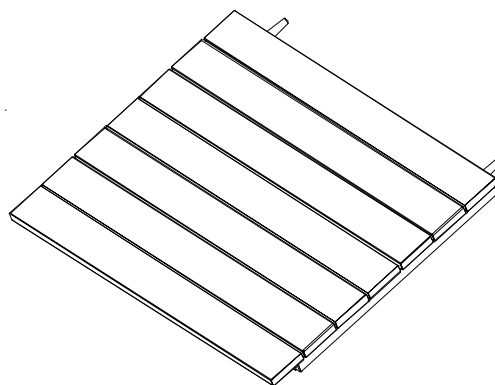
Part	Description	Quantity
AA	Bolt	8
BB	Gasket	8
CC	Bolt cover	8
DD	Bolt	2
EE	Spring washer	2
FF	Gasket	2
GG	Allen key	1

Pre-assembly (continued)

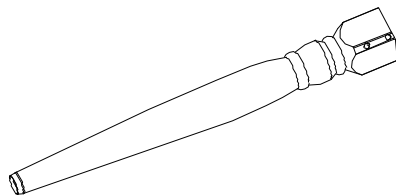
PACKAGE CONTENTS



A



B

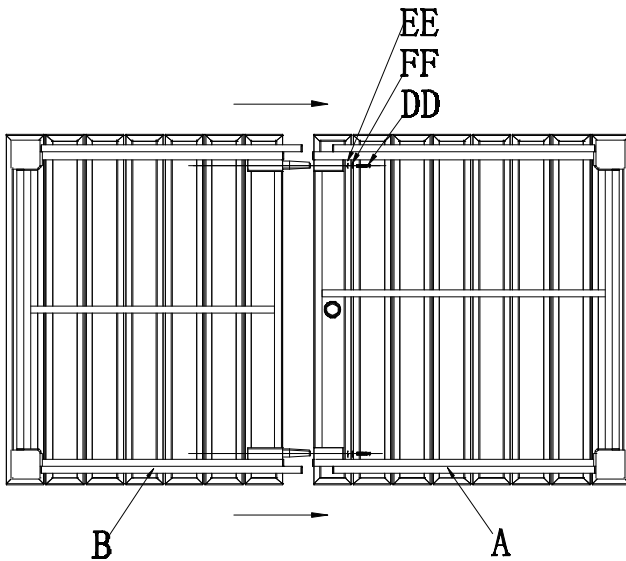


C

Part	Description	Quantity
A	Right table top	1
B	Left table top	1
C	Table legs	4

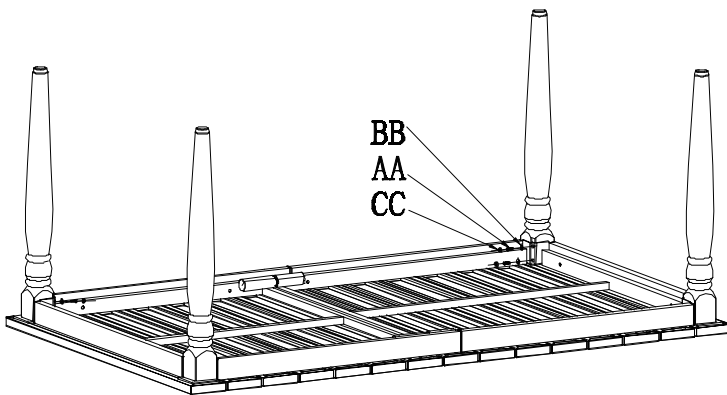
1 Attaching the table tops together

- Place the right table top (A) upside down on a soft surface.
- Attach the left table top (B) to the right table top (A) using bolt (DD), spring washer (EE) and gasket (FF).



2 Attaching the legs to the table top

- Attach four table legs (C) to the table top using bolt (AA) gasket (BB), and bolt cover (CC).



3 Tightening the bolts

- Tighten all bolts before use.



Care and Cleaning

- For best results, clean the frame with a damp cloth and dry thoroughly. This will help prevent mildew by removing dirt particles that may accumulate.

- Do not clean with abrasive materials, bleach, or solvents.

- Store the table in a dry, sheltered place when not in use.

- Keep the table away from fire, extreme heat, freezing conditions, and inclement weather such as rain, hail, sleet, snow, or wind.

HAMPTON BAY[®]

Questions, problems, missing parts? Before returning to the store,
call Hampton Bay Customer Service
8 a.m. – 7 p.m., EST, Monday – Friday, 9 a.m. – 6 p.m., EST, Saturday

1-855-HD-HAMPTON

HAMPTONBAY.COM

Retain this manual for future use.